

56K WINDOW ASM  
117053-08-XXX  
GLASS PICTURE 655 X 417  
002181-34-000  
EXTR-VINYL SEAL  
087561-01-000  
RETAINER  
117054-02-CHT  
SCREW  
000G11-08-12U (12)

58S WINDOW ASM-ATWOOD  
164922-08-CHT  
WINDOW ASM-SE-GI  
094 58S 173186-05-CHT  
SCREW  
000G11-08-12U (17)

311 VENT ASM-ROOF  
122882-01-CHT  
GEAR-ARM-ROOF VENT  
009440-01-000  
GARNISH  
122882-07-CHT  
SCREW  
110460-04-CHT (4)

094 WINDOW ASM-ATWOOD  
164922-02-CHT  
WINDOW ASM-SE-GI  
173186-02-CHT  
SCREW  
000G11-08-12U (28)

094 WINDOW ASM-ATWOOD  
164922-37-CHT (2)  
WINDOW ASM-SE-GI  
173186-15-CHT (2)  
SCREW  
000G11-08-12U (20)

WINDOW ASM-ATWOOD  
164973-10-CHT  
WINDOW ASM-SE-GI  
094 173188-02-CHT  
SCREW  
000G11-08-12U (12)

094 58L WINDOW ASM-ATWOOD  
151075-10-CHT  
WINDOW ASM-SE-GI  
094 58L 173184-05-CHT  
SCREW  
000G11-08-12U (18)

715 VENT ASM-ROOF  
122882-02-CHT (POWERED/US)  
122882-03-CHT (POWERED/CSA)  
GEAR-ARM-ROOF VENT  
009440-01-000  
MOTOR-12V NONVENTED 1/8 SF  
048648-01-000  
FAN-PLAS-6IN 6 BLADE  
048649-01-000  
GARNISH  
122882-07-CHT  
SCREW  
110460-04-CHT (4)

2 WINDOW ASM-ATWOOD  
164922-18-CHT  
WINDOW ASM-SE-GI  
094 173186-09-CHT  
SCREW  
000G11-08-12U (18)

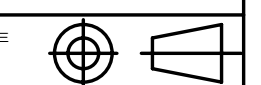
094 58S WINDOW ASM-ATWOOD  
164922-09-CHT  
WINDOW ASM-SE-GI  
094 58S 173186-04-CHT  
SCREW  
000G11-08-12U (17)

STICKER-MODEL  
131273-01-CHT

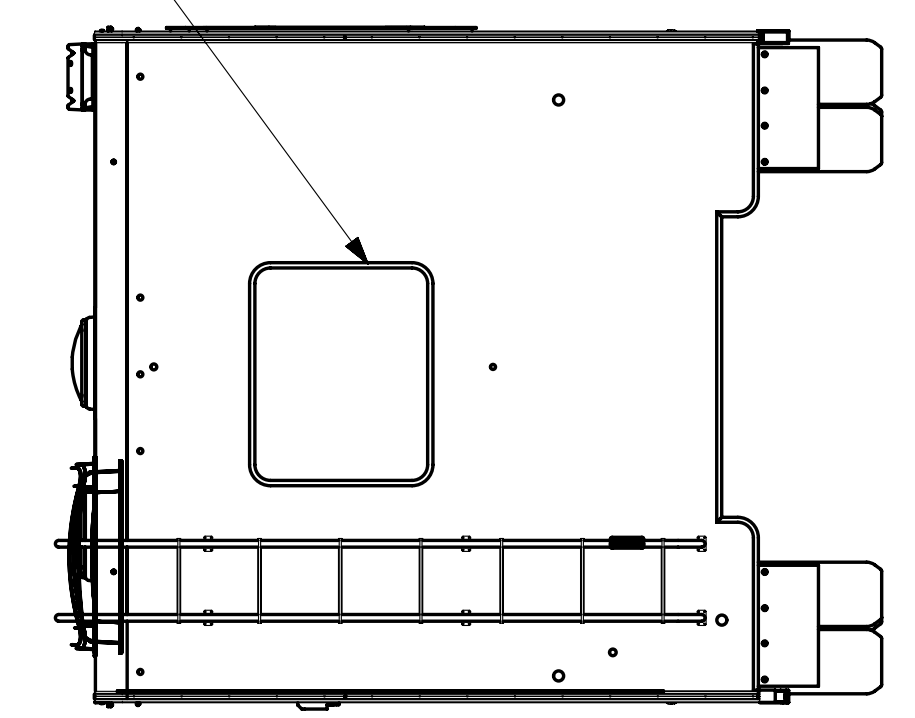
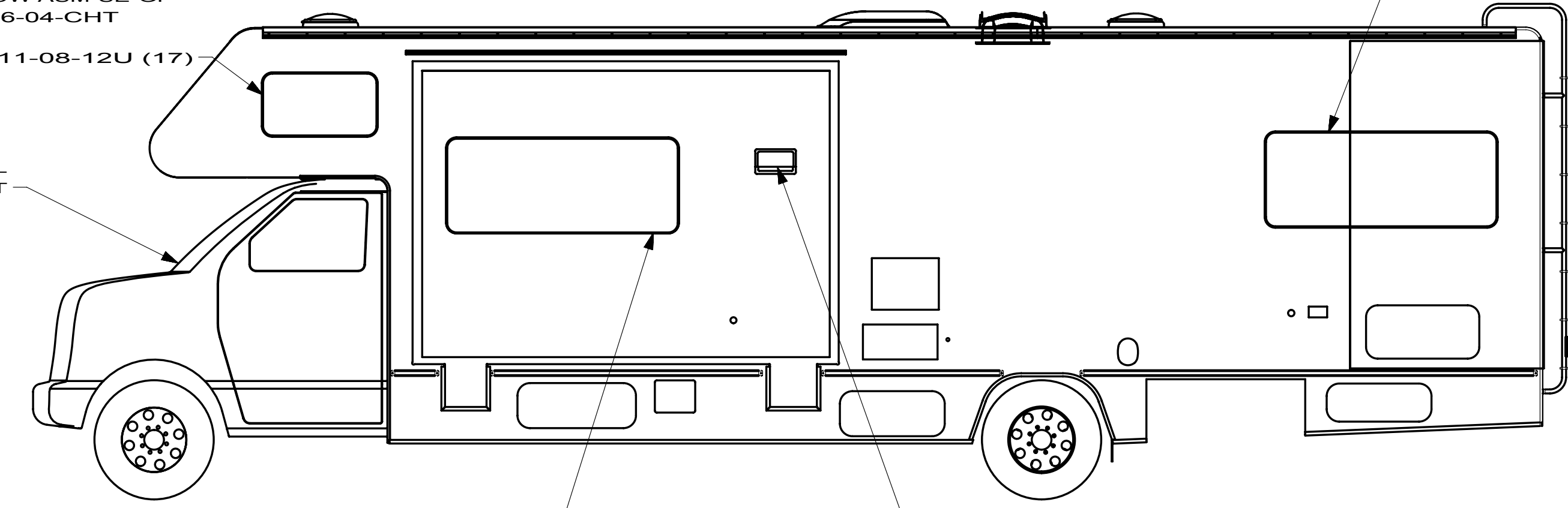
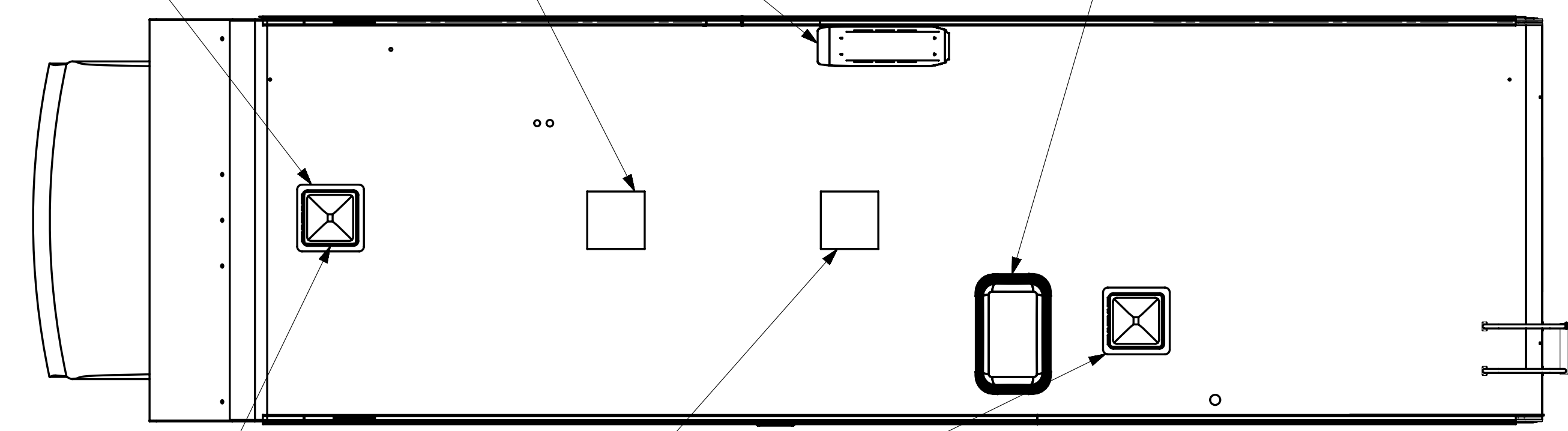
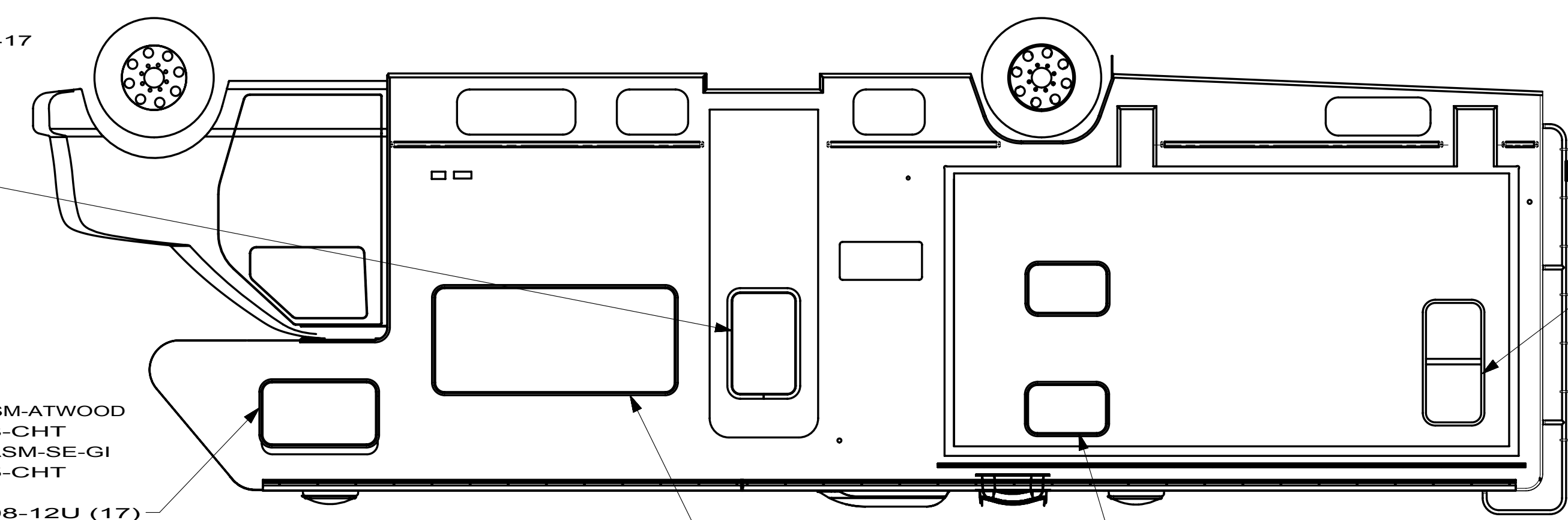
094 WINDOW ASM-ATWOOD  
164922-24-CHT  
WINDOW ASM-SE-GI  
173186-08-CHT  
SCREW  
000G11-08-12U (28)

VENT ASM-RANGE  
147821-01-CHT  
VENT ASM-RANGE COVER  
147821-02-CHT  
SCREW  
000G11-08-12U (8)  
SEALANT

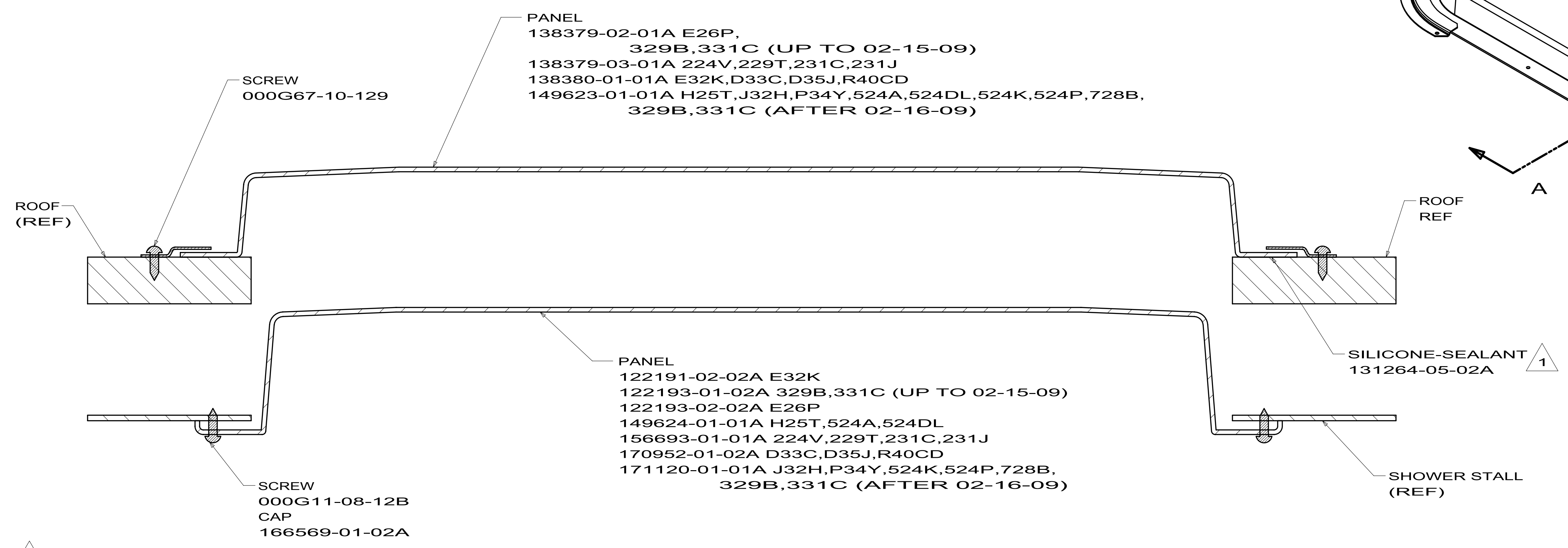
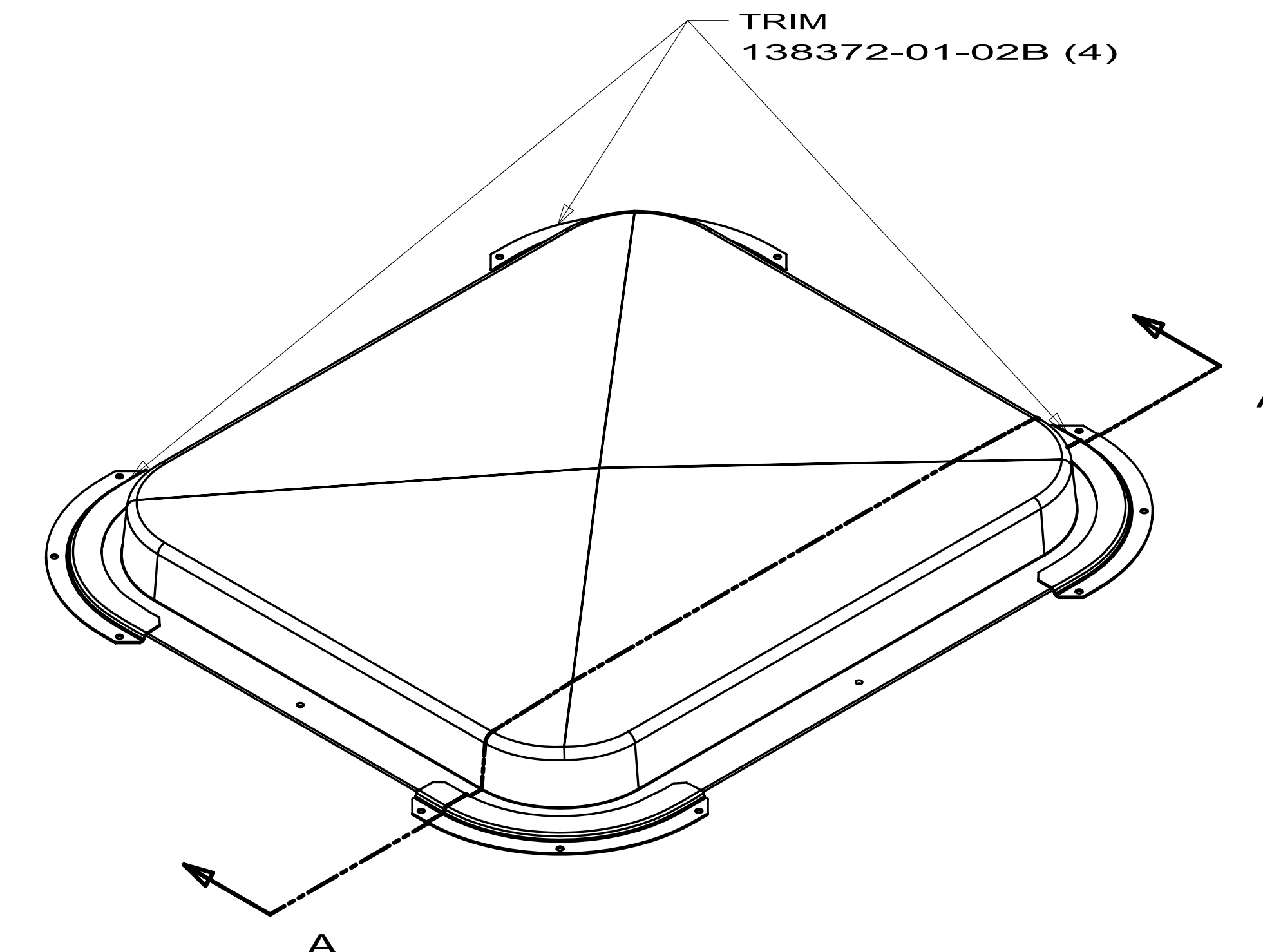
- 094 WINDOWS - SE-GI
- 1L9 ENTERTAINMENT CENTER-CABOVER
- 58L WINDOW-FIXED/EGRESS
- 56K WINDOW-ENTRANCE DOOR
- 58S WINDOWS-BUNK, SIDEWALLS
- 311 VENT-NON-POWERED
- 265 CODES/STANDARDS-CSA/CMVSS
- 1B1 CODES/STANDARDS USA
- 715 VENT-POWER

<b>WINNEBAGO INDUSTRIES</b>		COPYRIGHT 2009 WINNEBAGO INDUSTRIES, INC.	
DTR	ORIG. DATE	ALL DIMENSIONS ARE IN MILLIMETERS	
CHKR			
P.E.			
M.E.	FIRST USED	10 231J	
DSNR			
UNSPECIFIED TOLERANCES ARE:		MATERIAL:	
WHOLE DIM (X)	:		
ONE-PLACE (X.X)	:		
TWO-PLACE (X.XX)	:		
ANGLE	:		
THIRD ANGLE PROJECTION			
<b>DO NOT SCALE DRAWING</b>			
TITLE: <b>BODY INSTL-WINDOWS &amp; VENTS</b>			
SHEET 1 OF 1	PART NO	<b>169710</b>	REV
REF:		1	

2 ESCAPE WINDOW  
1 NOT USED WITH 1L9



**SKYLITE INSTL**  
**080524-11 E26P**  
**080524-12 329B,331C (UP TO 02-15-09)**  
**080524-14 H25T,524A,524DL**  
**080524-15 224V,229T,231C,231J**  
**080524-16 E32K**  
**080524-19 D33C,D35J,R40CD**  
**080524-20 J32H,P34Y,524K,524P,728B,**  
**329B,331C (AFTER 02-16-09)**



1. SEALANT APPLIED ALL AROUND CENTER OF FLANGE OR GROOVE.

SECTION A-A

DTR	ORIG. DATE
CHKR	ALL DIMENSIONS ARE IN MILLIMETERS
P.E.	
M.E.	FIRST USED
DSNR	85 A&C BODY
UNSPECIFIED TOLERANCES ARE:	
WHOLE DIM (X)	:
ONE-PLACE (X.X)	:
TWO-PLACE (X.XX)	:
ANGLE	:
THIRD ANGLE PROJECTION	
DO NOT SCALE DRAWING	
TITLE: SKYLITE INSTL	
SHEET 1 OF 2	PART NO 080524
REF:	1

**122882-01-01A**

<b>KEY</b>	<b>PART NUMBER</b>	<b>U/M</b>	<b>DESCRIPTION</b>	<b>VENDOR NO.</b>
	064470-01-700	EA	COVER - VENT	J7291
	064470-01-701	EA	SLIDE BAR - VENT LID	JRP1291B
	122882-01-700	EA	HANDLE - CRANK - BLACK	90128
	122882-01-701	EA	SCREEN	JRP-1124-B
	122882-01-702	EA	HANDLE - CRANK - WHITE	JRP1031B
	122882-01-703	EA	SEAL - DOME - 48"	JRP2111B

**122882-02-01A, 122882-03-01A**

<b>KEY</b>	<b>PART NUMBER</b>	<b>U/M</b>	<b>DESCRIPTION</b>	<b>VENDOR NO.</b>
	064470-01-700	EA	COVER - VENT	J7291
	064470-01-701	EA	SLIDE BAR - VENT LID	JRP1291B
	110051-03-700	EA	SWITCH-BLACK/PUSH BUTTON	27-0164
	122882-01-700	EA	HANDLE - CRANK - BLACK	90128
	122882-01-701	EA	SCREEN	JRP-1124-B
	122882-01-702	EA	HANDLE - CRANK - WHITE	JRP1031B

**122882-04-01A**

<b>KEY</b>	<b>PART NUMBER</b>	<b>U/M</b>	<b>DESCRIPTION</b>	<b>VENDOR NO.</b>
	064469-03-708	EA	GEAR-DRIVE	RP-1024-.50 PC SIZE
	064470-01-700	EA	COVER - VENT	J7291
	064470-01-701	EA	SLIDE BAR - VENT LID	JRP1291B
	110051-07-701	EA	MOTOR-LIFT, W/BRKT-GEAR 3/16	JRP1099B
	122882-04-700	EA	SCREEN	J29-670-01A

**122882-05-01A**

<b>KEY</b>	<b>PART NUMBER</b>	<b>U/M</b>	<b>DESCRIPTION</b>	<b>VENDOR NO.</b>
	064469-03-708	EA	GEAR-DRIVE	RP-1024-.50 PC SIZE
	064469-03-709	EA	GEAR-PINION F/LIFT MOTOR	RP-1025 - DIME SIZE
	064470-01-700	EA	COVER - VENT	J7291
	064470-01-701	EA	SLIDE BAR - VENT LID	JRP1291B
	110051-07-701	EA	MOTOR-LIFT, W/BRKT-GEAR 3/16	JRP1099B
	122882-04-700	EA	SCREEN	J29-670-01A

## ART NOT YET AVAILABLE

### 151075-06-01A

KEY	PART NUMBER	U/M	DESCRIPTION
1	151075-06-700	FT	GLASS - STATIONARY
2	098644-01-705	EA	GLAZING - STRIP
3	151075-06-701	EA	RETAINER - TRIM

VENDOR NO
106038016
132-010231
H116661

### 151075-08-01A

KEY	PART NUMBER	U/M	DESCRIPTION
	137867-05-706	EA	LOCK/CAM - RIGHT
	137867-05-707	EA	LOCK/CAM - LEFT
	151075-08-701	EA	RETAINER - TRIM

VENDOR NO
182-011293
182-011294
H117459

### 151075-10-01A

KEY	PART NUMBER	U/M	DESCRIPTION
1	151075-10-700	FT	GLASS - STATIONARY
2	098644-01-705	EA	GLAZING - STRIP
3	151075-10-701	EA	RETAINER - TRIM

VENDOR NO
096037950
132-010231
H111061

### 151075-11-01A

KEY	PART NUMBER	U/M	DESCRIPTION
1	151075-11-700	EA	GLASS - STATIONARY
2	098644-01-705	FT	GLAZING - STRIP
3	151075-11-701	EA	RETAINER - TRIM

VENDOR NO
096038365
132-010231
H124161

### 151075-12-01A

KEY	PART NUMBER	U/M	DESCRIPTION
1	151075-12-700	FT	GLASS - STATIONARY
2	098644-01-705	EA	GLAZING - STRIP
3	151075-12-701	EA	RETAINER - TRIM

VENDOR NO
106038617
132-010231
H309361

### 151075-12-02A

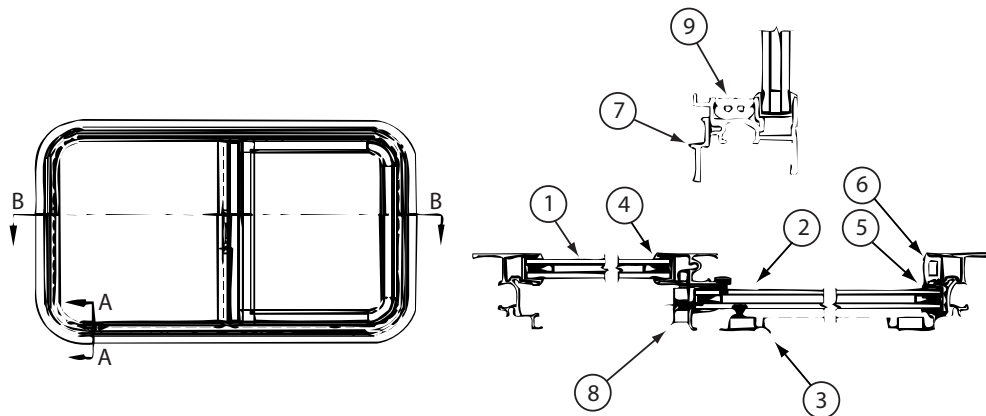
KEY	PART NUMBER	U/M	DESCRIPTION
1	151075-12-700	FT	GLASS - STATIONARY
2	098644-01-705	EA	GLAZING - STRIP
3	151075-12-702	EA	RETAINER - TRIM

VENDOR NO
106038617
132-010231
S309361

### 151075-13-01A

KEY	PART NUMBER	U/M	DESCRIPTION
	137867-05-706	EA	LOCK/CAM - RIGHT
	137867-05-707	EA	LOCK/CAM - LEFT
	151075-13-701	EA	RETAINER - TRIM

VENDOR NO
182-011293
182-011294
H111053



**164922-01-01A**

KEY	PART NUMBER	U/M	DESCRIPTION	VENDOR NO.
1	098647-06-700	EA	GLASS - STATIONARY 10.9X13.8	106-016921
2	098647-06-702	EA	GLASS-SLIDING W/SASH & LATCH	B969-G9
3	112795-56-702	EA	SCREEN ASM - W/SEALS & CLIPS	410-019414
4	098644-01-705	FT	GLAZING - STRIP	132-010231
5	098644-01-708	FT	CHANNEL - RUN PIERCED	122-016543
6	098644-01-716	FT	PLUG - FILLER	132-014470
7	112795-56-704	EA	RETAINER - TRIM - BLACK	B969-66
8	098644-01-700	EA	LATCH - REPAIR KIT (BLACK)	B801-CK
8	098647-54-701	EA	LATCH REPAIR KIT (RED)	B081-CK
9	098644-01-719	EA	STOP - SLIDER GLASS	132-014203
	098644-01-706	FT	WEATHERSTRIP-GLASS(FIN SEAL)	171-010668
	098644-01-710	FT	TRACK - SCREEN SPACER	132-017135
	098644-01-711	FT	WEATHERSTRIP-SCRN(FUZZY)BLK	171-017245/016965
	098644-01-717	FT	SPLINE - SCREEN	132-004716
	125582-01-701	EA	CLIP - SCREEN - PLASTIC	130-005153

**164922-02-01A**

KEY	PART NUMBER	U/M	DESCRIPTION	VENDOR NO.
1	098647-23-703	EA	GLASS - STATIONARY	106-017662
2	098647-23-700	EA	GLASS-SLIDING W/SASH & LATCH	H287-G9
3	098647-23-704	EA	SCREEN ASM - W/SEALS & CLIPS	410-019066
4	098644-01-705	FT	GLAZING - STRIP	132-010231
5	098644-01-708	FT	CHANNEL - RUN PIERCED	122-016543
6	098644-01-716	FT	PLUG - FILLER	132-014470
7	098647-27-704	EA	RETAINER - TRIM	H287-66
8	098644-01-700	EA	LATCH - REPAIR KIT (BLACK)	B801-CK
8	098647-54-701	EA	LATCH REPAIR KIT (RED)	B081-CK
9	098644-01-719	EA	STOP - SLIDER GLASS	132-014203
	098644-01-706	FT	WEATHERSTRIP-GLASS(FIN SEAL)	171-010668
	098644-01-710	FT	TRACK - SCREEN SPACER	132-017135
	098644-01-711	FT	WEATHERSTRIP-SCRN(FUZZY)BLK	171-017245/016965
	098644-01-717	FT	SPLINE - SCREEN	132-004716
	125582-01-701	EA	CLIP - SCREEN - PLASTIC	130-005153

**164922-04-01A/03A, 164922-05-01A**

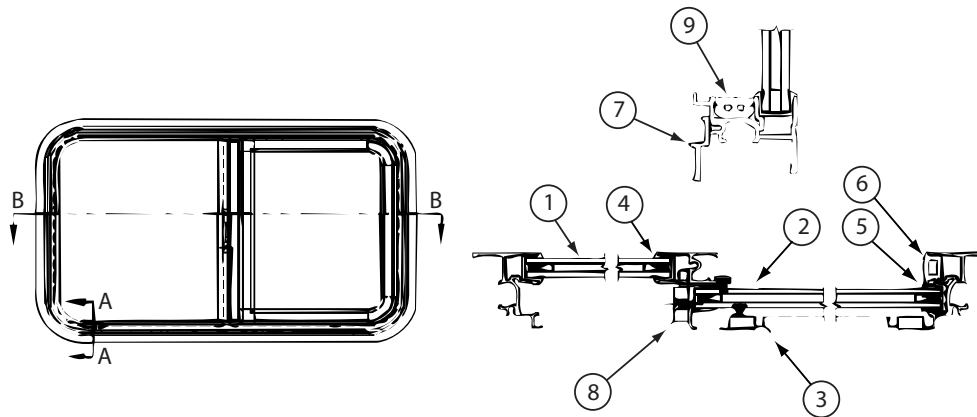
KEY	PART NUMBER	U/M	DESCRIPTION	VENDOR NO.
1	098647-27-702	EA	GLASS - STATIONARY	096-017868
2	098647-27-703	EA	GLASS-SLIDING W/SASH & LATCH	H287-C8
3	098647-23-704	EA	SCREEN ASM - W/SEALS & CLIPS	410-019066
4	098644-01-705	FT	GLAZING - STRIP	132-010231
5	098644-01-708	FT	CHANNEL - RUN PIERCED	122-016543
6	098644-01-716	FT	PLUG - FILLER	132-014470
7	098647-27-704	EA	RETAINER - TRIM	H287-66
8	098644-01-700	EA	LATCH - REPAIR KIT (BLACK)	B801-CK
8	098647-54-701	EA	LATCH REPAIR KIT (RED)	B081-CK
9	098644-01-719	EA	STOP - SLIDER GLASS	132-014203
	098644-01-706	FT	WEATHERSTRIP-GLASS(FIN SEAL)	171-010668
	098644-01-710	FT	TRACK - SCREEN SPACER	132-017135
	098644-01-711	FT	WEATHERSTRIP-SCRN(FUZZY)BLK	171-017245/016965
	098644-01-717	FT	SPLINE - SCREEN	132-004716
	125582-01-701	EA	CLIP - SCREEN - PLASTIC	130-005153

**164922-06-01A/03A, 164922-07-01A/03A**

KEY	PART NUMBER	U/M	DESCRIPTION	VENDOR NO.
1	098647-29-702	EA	GLASS - STATIONARY	096-019295
2	098647-29-703	EA	GLASS-SLIDING W/SASH & LATCH	H172-C8
3	098647-29-704	EA	SCREEN ASM - W/SEALS & CLIPS	410-018864
4	098644-01-705	FT	GLAZING - STRIP	132-010231
5	098644-01-708	FT	CHANNEL - RUN PIERCED	122-016543
6	098644-01-716	FT	PLUG - FILLER	132-014470
7	098647-29-705	EA	RETAINER - TRIM	CH04-66
8	098644-01-700	EA	LATCH - REPAIR KIT (BLACK)	B801-CK
8	098647-54-701	EA	LATCH REPAIR KIT (RED)	B081-CK
9	098644-01-719	EA	STOP - SLIDER GLASS	132-014203
	098644-01-706	FT	WEATHERSTRIP-GLASS(FIN SEAL)	171-010668
	098644-01-710	FT	TRACK - SCREEN SPACER	132-017135
	098644-01-711	FT	WEATHERSTRIP-SCRN(FUZZY)BLK	171-017245/016965
	098644-01-717	FT	SPLINE - SCREEN	132-004716
	125582-01-701	EA	CLIP - SCREEN - PLASTIC	130-005153

**164922-08-01A, 164922-09-01A/03A**

KEY	PART NUMBER	U/M	DESCRIPTION	VENDOR NO.
1	098647-31-702	EA	GLASS - STATIONARY	096-019299
2	098647-31-703	EA	GLASS-SLIDING W/SASH & LATCH	H425-C8
3	098647-31-704	EA	SCREEN ASM - W/SEALS & CLIPS	410-019128
4	098644-01-705	FT	GLAZING - STRIP	132-010231
5	098644-01-708	FT	CHANNEL - RUN PIERCED	122-016543
6	098644-01-716	FT	PLUG - FILLER	132-014470
7	098647-31-705	EA	RETAINER - TRIM	CH29-66
8	098644-01-700	EA	LATCH - REPAIR KIT (BLACK)	B801-CK
8	098647-54-701	EA	LATCH REPAIR KIT (RED)	B081-CK
9	098644-01-719	EA	STOP - SLIDER GLASS	132-014203
	098644-01-706	FT	WEATHERSTRIP-GLASS(FIN SEAL)	171-010668
	098644-01-710	FT	TRACK - SCREEN SPACER	132-017135
	098644-01-711	FT	WEATHERSTRIP-SCRN(FUZZY)BLK	171-017245/016965
	098644-01-717	FT	SPLINE - SCREEN	132-004716
	125582-01-701	EA	CLIP - SCREEN - PLASTIC	130-005153

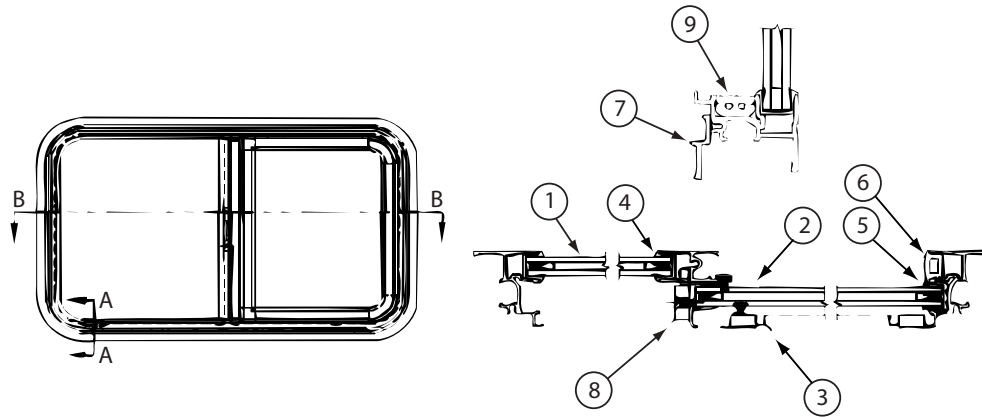


**164922-18-01A/03A**

KEY	PART NUMBER	U/M	DESCRIPTION	VENDOR NO.
1	098647-68-701	EA	GLASS - STATIONARY	096-029585
2	098647-68-700	EA	GLASS-SLIDING-SASH/RED LATCH	H666-C8
3	098647-47-702	EA	SCREEN ASM - W/SEALS & CLIPS	410-025226
4	098644-01-705	FT	GLAZING - STRIP	132-010231
5	098644-01-708	FT	CHANNEL - RUN PIERCED	122-016543
6	098644-01-716	FT	PLUG - FILLER	132-014470
7	098647-47-704	EA	RETAINER - TRIM	H493-66
8	098644-01-700	FT	LATCH - REPAIR KIT (BLACK)	B801-CK
8	098647-54-701	EA	LATCH REPAIR KIT (RED)	B081-CK
9	098644-01-719	EA	STOP - SLIDER GLASS	132-014203
	098644-01-706	FT	WEATHERSTRIP-GLASS(FIN SEAL)	171-010668
	098644-01-710	FT	TRACK - SCREEN SPACER 12'	132-017135
	098644-01-711	FT	WEATHERSTRIP-SCRN(FUZZY)BLK	171-017245/016965
	098644-01-717	FT	SPLINE - SCREEN	132-004716
	125582-01-701	EA	CLIP - SCREEN - PLASTIC	130-005153

**164922-20-01A**

KEY	PART NUMBER	U/M	DESCRIPTION	VENDOR NO.
1	164922-20-700	EA	GLASS - STATIONARY	106035351
2	164922-20-701	EA	GLASS-SLIDING-W/LATCH/HANDLE	H939G9
3	164922-20-702	EA	SCREEN ASM	410035353
4	098644-01-705	FT	GLAZING - STRIP	132-010231
5	098644-01-708	FT	CHANNEL - RUN PIERCED	122-016543
6	098644-01-716	FT	PLUG - FILLER	132-014470
7	164922-20-703	EA	RETAINER - TRIM RING - BLK	H93966
8	098644-01-700	EA	LATCH - REPAIR KIT (BLACK)	B801-CK
8	098647-54-701	EA	LATCH REPAIR KIT (RED)	B081-CK
9	098644-01-719	EA	STOP - SLIDER GLASS	132-014203
	098644-01-706	FT	WEATHERSTRIP-GLASS(FIN SEAL)	171-010668
	098644-01-710	FT	TRACK - SCREEN SPACER	132-017135
	098644-01-711	FT	WEATHERSTRIP-SCRN(FUZZY)BLK	171-017245/016965
	098644-01-717	FT	SPLINE - SCREEN	132-004716
	125582-01-701	EA	CLIP - SCREEN - PLASTIC	130-005153



**164922-24-01A/03A, 164922-46-01A**

KEY	PART NUMBER	U/M	DESCRIPTION	VENDOR NO.
1	098647-67-701	EA	GLASS - STATIONARY	096-029585
2	098647-74-700	EA	GLASS-SLIDING W/SASH & LATCH	H493C8
3	098647-47-702	EA	SCREEN ASM - W/SEALS & CLIPS	410-025226
4	098644-01-705	FT	GLAZING - STRIP	132-010231
5	098644-01-708	FT	CHANNEL - RUN PIERCED	122-016543
6	098644-01-716	FT	PLUG - FILLER	132-014470
7	098647-47-704	EA	RETAINER - TRIM	H493-66
8	098644-01-700	EA	LATCH - REPAIR KIT (BLACK)	B801-CK
8	098647-54-701	EA	LATCH REPAIR KIT (RED)	B081-CK
9	098644-01-719	EA	STOP - SLIDER GLASS	132-014203
	098644-01-706	FT	WEATHERSTRIP-GLASS(FIN SEAL)	171-010668
	098644-01-710	FT	TRACK - SCREEN SPACER	132-017135
	098644-01-711	FT	WEATHERSTRIP-SCRN(FUZZY)BLK	171-017245/016965
	098644-01-717	FT	SPLINE - SCREEN	132-004716
	125582-01-701	EA	CLIP - SCREEN - PLASTIC	130-005153

**164922-25-01A**

KEY	PART NUMBER	U/M	DESCRIPTION	VENDOR NO.
1	098647-75-700	EA	GLASS - STATIONARY	106-036069
2	098647-75-703	EA	GLASS-SLIDING W/SASH & LATCH	H978G8
3	098647-75-702	EA	SCREEN ASM	410-036071
4	098644-01-705	FT	GLAZING - STRIP	132-010231
5	098644-01-708	FT	CHANNEL - RUN PIERCED	122-016543
6	098644-01-716	FT	PLUG - FILLER	132-014470
7	164922-25-700	EA	RETAINER - TRIM - BLACK	H97866
8	098644-01-700	EA	LATCH - REPAIR KIT (BLACK)	B801-CK
8	098647-54-701	EA	LATCH REPAIR KIT (RED)	B081-CK
9	098644-01-719	EA	STOP - SLIDER GLASS	132-014203
	098644-01-706	FT	WEATHERSTRIP-GLASS(FIN SEAL)	171-010668
	098644-01-710	FT	TRACK - SCREEN SPACER	132-017135
	098644-01-711	FT	WEATHERSTRIP-SCRN(FUZZY)BLK	171-017245/016965
	098644-01-717	FT	SPLINE - SCREEN	132-004716
	125582-01-701	EA	CLIP - SCREEN - PLASTIC	130-005153



**164922-37-01A**

KEY	PART NUMBER	U/M	DESCRIPTION	VENDOR NO.
1	098647-88-700	EA	GLASS - STATIONARY	106-037449
2	098647-88-701	EA	GLASS-SLIDING W/LATCH & HNDL	H996G9
3	098647-78-702	EA	SCREEN ASM	410-036304
4	098644-01-705	FT	GLAZING - STRIP	132-010231
5	098644-01-708	FT	CHANNEL - RUN PIERCED	122-016543
6	098644-01-716	FT	PLUG - FILLER	132-014470
7	098647-78-701	EA	RETAINER - TRIM	H996-66
8	098644-01-700	EA	LATCH - REPAIR KIT (BLACK)	B801-CK
8	098647-54-701	EA	LATCH REPAIR KIT (RED)	B081-CK
9	098644-01-719	EA	STOP - SLIDER GLASS	132-014203
	098644-01-706	FT	WEATHERSTRIP - GLASS(FIN SEAL)	171-010668
	098644-01-710	FT	TRACK - SCREEN SPACER	132-017135
	098644-01-711	FT	WEATHERSTRIP-SCRN(FUZZY)BLK	171-016965
	098644-01-717	FT	SPLINE - SCREEN	132-004716
	125582-01-701	EA	CLIP - SCREEN - PLASTIC	130-005153

**164922-38-01A**

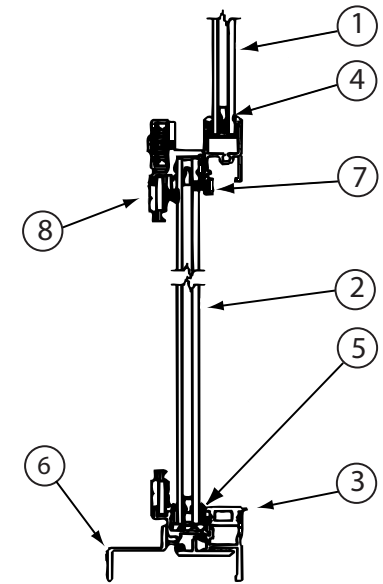
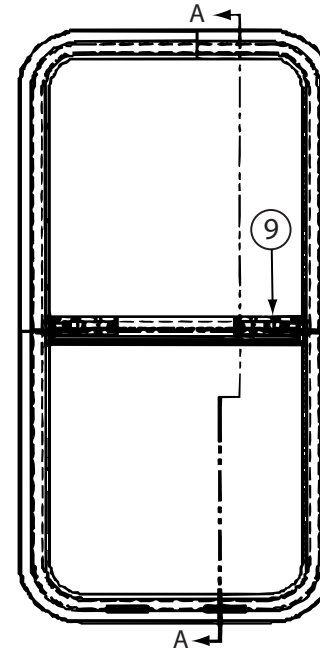
KEY	PART NUMBER	U/M	DESCRIPTION	VENDOR NO.
1	098647-01-700	EA	GLASS - STATIONARY 27.7X29.3	106-015631
2	098647-01-702	EA	GLASS-SLIDING W/SASH & LATCH	H112-G9
3	112795-33-704	EA	SCREEN ASM - W/SEALS & CLIPS	410-019247
4	098644-01-705	FT	GLAZING - STRIP	132-010231
5	098644-01-708	FT	CHANNEL - RUN PIERCED	122-016543
6	098644-01-716	FT	PLUG - FILLER	132-014470
7	112795-33-705	EA	RETAINER - TRIM	H112-66
8	098644-01-700	EA	LATCH - REPAIR KIT (BLACK)	B801-CK
8	098647-54-701	EA	LATCH - REPAIR KIT (RED)	B081-CK
9	098644-01-719	EA	STOP - SLIDER GLASS	132-014203
	098644-01-706	FT	WEATHERSTRIP - GLASS	171-010668
	098644-01-710	FT	TRACK - SCREEN SPACER 12'	132-017135
	098644-01-711	FT	WEATHERSTRIP - SCREEN BLACK	171-016965
	098644-01-717	FT	SPLINE - SCREEN	132-004716
	125582-01-701	EA	CLIP - SCREEN - PLASTIC	130-005153

**164922-39-01A/03A**

KEY	PART NUMBER	U/M	DESCRIPTION	VENDOR NO.
1	164922-39-701	EA	GLASS - STATIONARY	106038013
2	164922-39-702	EA	GLASS-SLIDING-W/LATCH/HANDLE	H286G8
3	098647-25-704	EA	SCREEN ASM - W/SEALS & CLIPS	410-019065
4	098644-01-705	FT	GLAZING - STRIP	132-010231
5	098644-01-708	FT	CHANNEL - RUN PIERCED	122-016543
6	098644-01-716	FT	PLUG - FILLER	132-014470
7	098647-25-705	EA	RETAINER - TRIM - BLACK	H286-66 - BLACK
8	098644-01-700	EA	LATCH - REPAIR KIT (BLACK)	B801-CK
8	098647-54-701	EA	LATCH - REPAIR KIT (RED)	B081-CK
9	098644-01-719	EA	STOP - SLIDER GLASS	132-014203
	098644-01-706	FT	WEATHERSTRIP - GLASS	171-010668
	098644-01-710	FT	TRACK - SCREEN SPACER 12'	132-017135
	098644-01-711	FT	WEATHERSTRIP - SCREEN BLACK	171-016965
	098644-01-717	FT	SPLINE - SCREEN	132-004716
	125582-01-701	EA	CLIP - SCREEN - PLASTIC	130-005153

KEY	PART NUMBER	U/M	DESCRIPTION	VENDOR NO.
1	098644-01-704	EA	GLASS - STATIONARY 10"X13.7"	106-011866
2	164973-01-702	EA	GLASS-SLIDING-W/LATCH/HANDLE	B155G9
3	098644-01-716	FT	PLUG - FILLER	132-014470
4	098644-01-705	FT	GLAZING - STRIP	132-010231
5	098644-01-708	FT	CHANNEL - RUN PIERCED	122-016543
6	164973-01-701	EA	RETAINER - TRIM RING - BLK	B15566
7	098644-01-706	FT	WEATHERSTRIP-GLASS(FIN SEAL)	171-010668
8	098644-01-712	EA	SCREEN ASM - W/SEALS & CLIPS	410-016476
9	098644-01-700	EA	LATCH - REPAIR KIT (BLACK)	B801-CK
	098644-01-710	FT	TRACK - SCREEN SPACER 12'	132-017135
	098644-01-711	FT	WEATHERSTRIP-SCRN(FUZZY)BLK	171-017245/016965
	098644-01-717	FT	SPLINE - SCREEN	132-004716
	112898-04-703	EA	VERTICAL LATCH/HOLD UP/OPEN	DH343-CK

KEY	PART NUMBER	U/M	DESCRIPTION	VENDOR NO.
1	098644-07-702	EA	GLASS - STATIONARY	106-015777
2	098644-07-703	EA	GLASS-SLIDING W/SASH & LATCH	H170G9
3	098644-01-716	FT	PLUG - FILLER	132-014470
4	098644-01-705	FT	GLAZING - STRIP	132-010231
5	098644-01-708	FT	CHANNEL - RUN PIERCED	122-016543
6	098644-07-705	EA	RETAINER - TRIM - BLACK	CH02-66
7	098644-01-706	FT	WEATHERSTRIP-GLASS(FIN SEAL)	171-010668
8	098644-07-704	EA	SCREEN ASM - W/SEALS & CLIPS	410-018863
9	098644-01-700	EA	LATCH - REPAIR KIT (BLACK)	B801-CK
	098644-01-710	FT	TRACK - SCREEN SPACER 12'	132-017135
	098644-01-711	FT	WEATHERSTRIP-SCRN(FUZZY)BLK	171-017245/016965
	098644-01-717	FT	SPLINE - SCREEN	132-004716
	112898-04-703	EA	VERTICAL LATCH/HOLD UP/OPEN	DH343-CK



**164973-08-01A**

KEY	PART NUMBER	U/M	DESCRIPTION	VENDOR NO.
1	098644-13-700	EA	GLASS - STATIONARY	106-028698
2	098644-13-701	EA	GLASS-SLIDING W/SASH & LATCH	H702-G9
3	098644-01-716	FT	PLUG - FILLER	132-014470
4	098644-01-705	FT	GLAZING - STRIP	132-010231
5	098644-01-708	FT	CHANNEL - RUN PIERCED	122-016543
6	098644-13-703	EA	RETAINER - TRIM	H702-60
7	098644-01-706	FT	WEATHERSTRIP-GLASS(FIN SEAL)	171-010668
8	098644-13-702	EA	SCREEN ASM W/SEALS & CLIPS	410-028663
9	098644-01-700	EA	LATCH - REPAIR KIT (BLACK)	B801-CK
	098644-01-710	FT	TRACK - SCREEN SPACER 12'	132-017135
	098644-01-711	FT	WEATHERSTRIP-SCRN(FUZZY)BLK	171-017245/016965
	098644-01-717	FT	SPLINE - SCREEN	132-004716
	112898-04-703	EA	VERTICAL LATCH/HOLD UP/OPEN	DH343-CK

**164973-09-01A/03A**

KEY	PART NUMBER	U/M	DESCRIPTION	VENDOR NO.
1	098644-15-700	EA	GLASS - STATIONARY	106-035739
2	098644-15-703	EA	GLASS-SLIDING W/PULL & LATCH	H960G9
3	098644-01-716	FT	PLUG - FILLER	132-014470
4	098644-01-705	FT	GLAZING - STRIP	132-010231
5	098644-01-708	FT	CHANNEL - RUN PIERCED	122-016543
6	098644-15-701	EA	RETAINER - TRIM	H960-66
7	098644-01-706	FT	WEATHERSTRIP-GLASS(FIN SEAL)	171-010668
8	098644-15-702	EA	SCREEN ASM	410-035742
9	098644-01-700	EA	LATCH - REPAIR KIT (BLACK)	B801-CK
	098644-01-710	FT	TRACK - SCREEN SPACER	132-017135
	098644-01-711	FT	WEATHERSTRIP-SCRN(FUZZY)BLK	171-017245/016965
	098644-01-717	FT	SPLINE - SCREEN	132-004716
	112898-04-703	EA	VERTICAL LATCH/HOLD UP/OPEN	DH343-CK

**164973-10-01A/03A**

KEY	PART NUMBER	U/M	DESCRIPTION	VENDOR NO.
1	098644-16-700	EA	GLASS - STATIONARY	096-035902
2	098644-16-701	EA	GLASS-SLIDING W/PULL & LATCH	H170C8
3	098644-01-716	FT	PLUG - FILLER	132-014470
4	098644-01-705	FT	GLAZING - STRIP	132-010231
5	098644-01-708	FT	CHANNEL - RUN PIERCED	122-016543
6	098644-07-705	EA	RETAINER - TRIM - BLACK	CH02-66
7	098644-01-706	FT	WEATHERSTRIP-GLASS(FIN SEAL)	171-010668
8	098644-07-704	EA	SCREEN ASM - W/SEALS & CLIPS	410-018863
9	098644-01-700	EA	LATCH - REPAIR KIT (BLACK)	B801-CK
	098644-01-710	FT	TRACK - SCREEN SPACER	132-017135
	098644-01-711	FT	WEATHERSTRIP-SCRN(FUZZY)BLK	171-017245/016965
	098644-01-717	FT	SPLINE - SCREEN	132-004716
	112898-04-703	EA	VERTICAL LATCH/HOLD UP/OPEN	DH343-CK

**KEY PART NUMBER U/M DESCRIPTION**  
173186-06-705 EA SCREEN ASM

**173186-06-01A**  
**VENDOR NO.**  
SCREEN-50292.62.15R

**KEY PART NUMBER U/M DESCRIPTION**  
173186-07-705 EA SCREEN ASM

**173186-07-01A**  
**VENDOR NO.**  
SCREEN-50293.62.15R

**KEY PART NUMBER U/M DESCRIPTION**  
173186-13-705 EA SCREEN ASM

**173186-13-01A**  
**VENDOR NO.**  
SCREEN-50295.62.15R

**KEY PART NUMBER U/M DESCRIPTION**  
173186-15-700 EA CLAMP RING

**173186-15-01A**  
**VENDOR NO.**  
50298.CR15

**KEY PART NUMBER U/M DESCRIPTION**  
173186-19-705 EA SCREEN ASM

**173186-19-01A**  
**VENDOR NO.**  
SCREEN-50302.62.15R