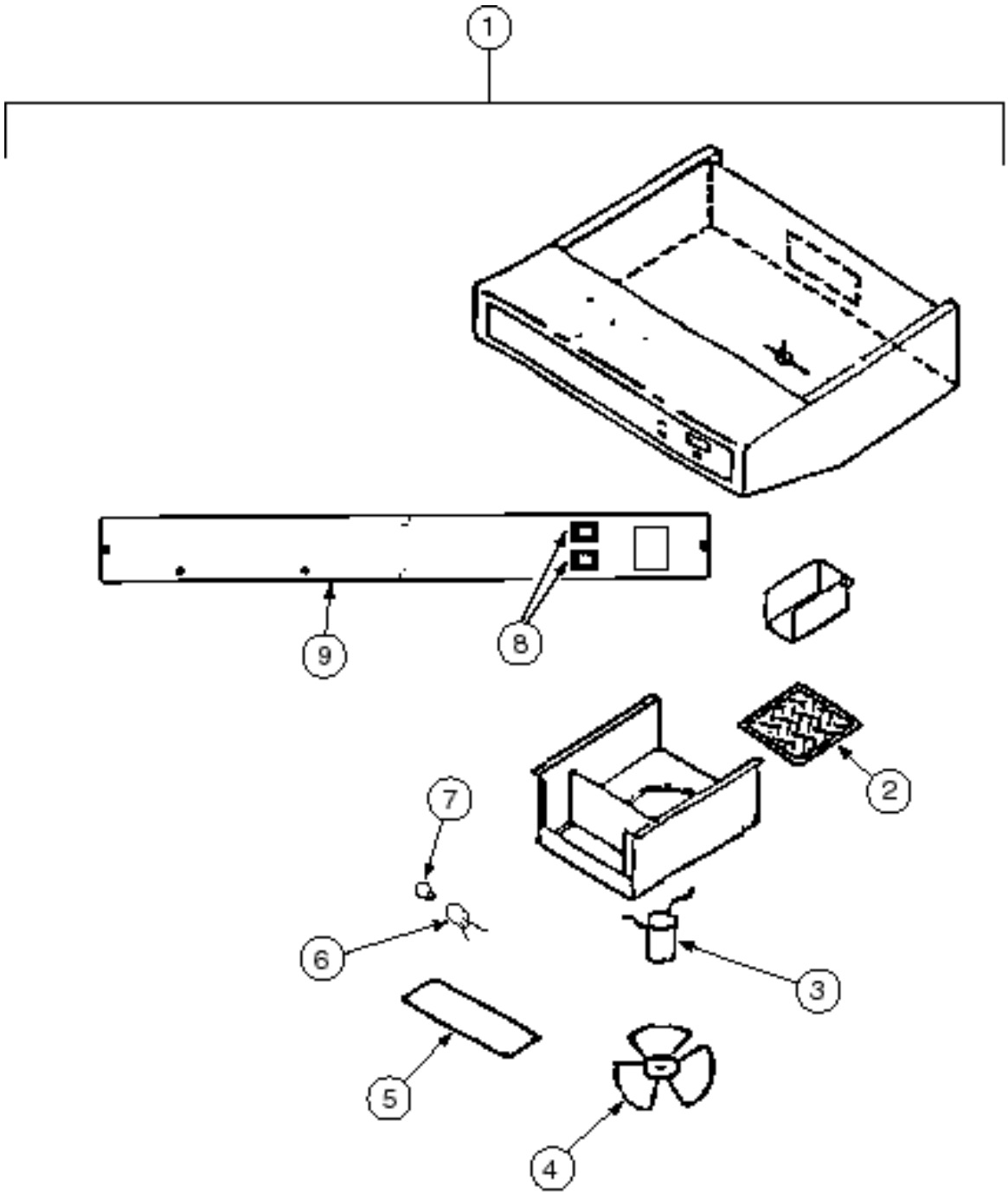
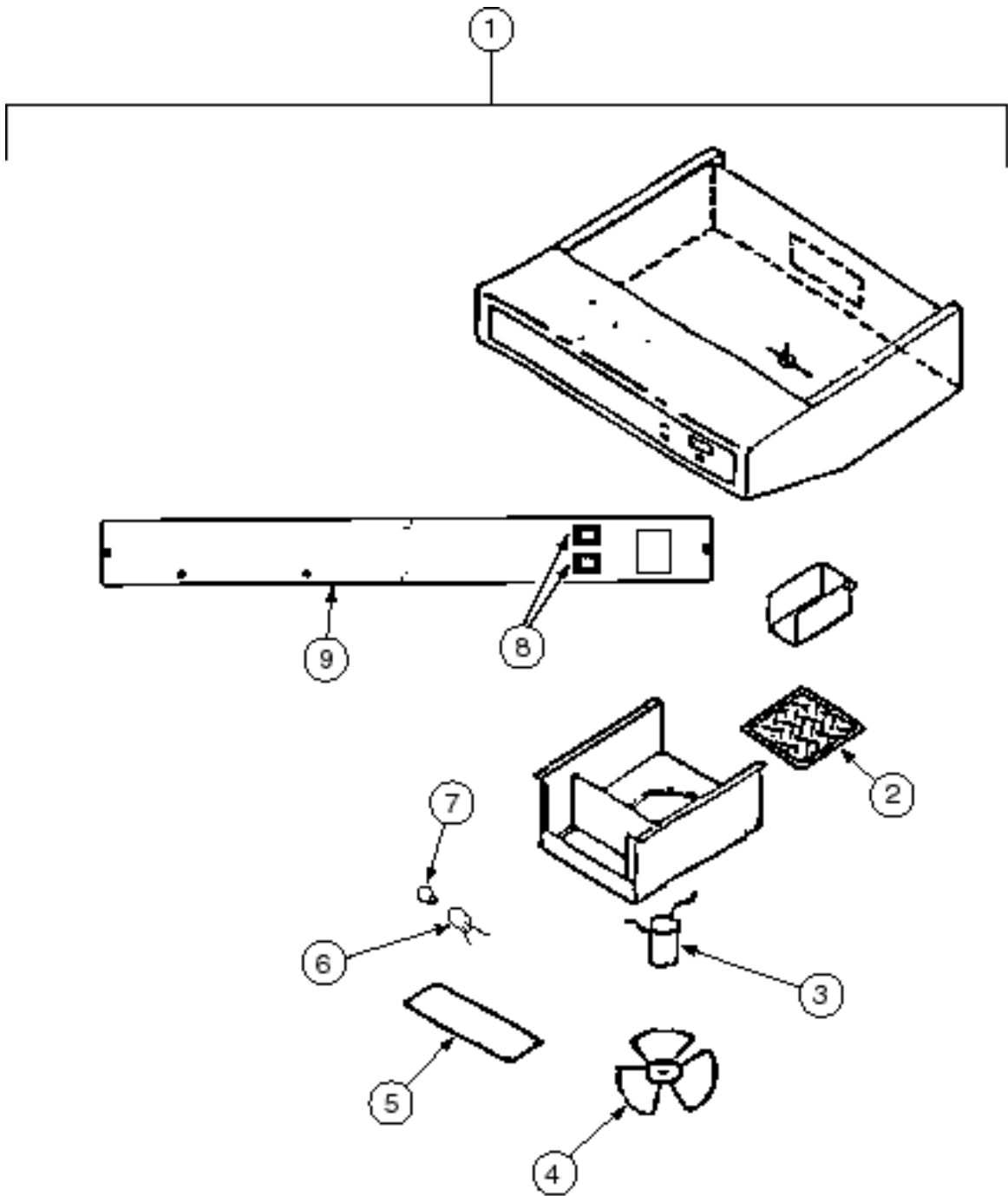


VENTLINE
MODEL TCS-5008-NBDLG



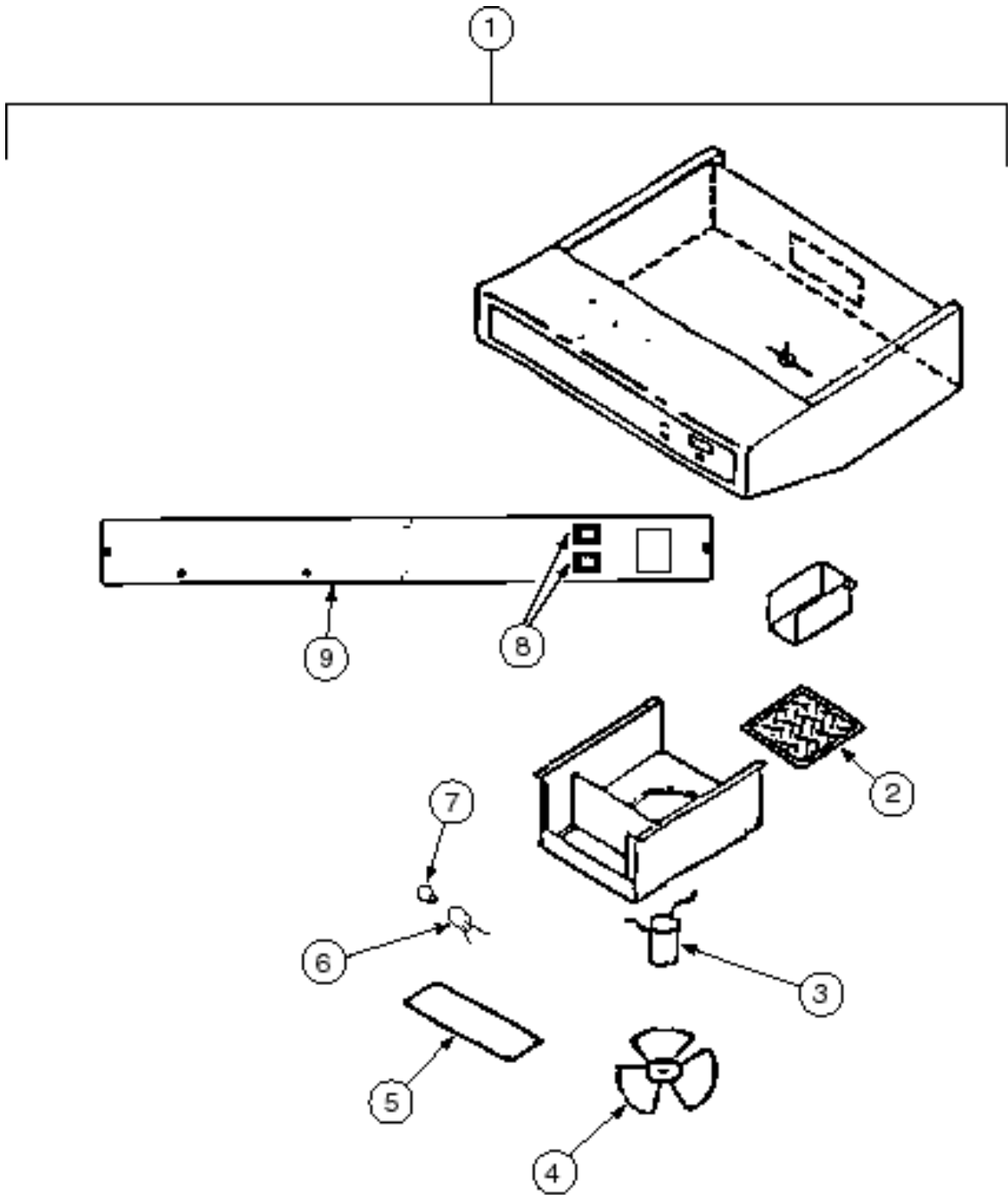
| KEY | PART NUMBER | U/M | DESCRIPTION | VENDOR NO. |
|-----|---------------|-----|--|------------|
| 1 | 100258-16-03A | EA | HOOD - RANGE - W/O MONITOR PANEL - W/O HOUR METER & SWITCH | |
| 2 | 096983-01-707 | EA | FILTER-MESH | CC246 |
| 3 | 090973-01-700 | EA | MOTOR-12 VOLT, CSA & UL | CA508-1 |
| 4 | 090973-01-702 | EA | BLADE-FAN | VA183-1 |
| 5 | 092696-02-701 | EA | LENS-LAMP | CC179-2 |
| 6 | 092696-01-710 | EA | HOLDER-LAMP | CB267-2 |
| 7 | 092696-01-709 | EA | LAMP #912 | VA415 |
| 8 | 096983-01-700 | EA | SWITCH-ON/OFF | 108 |
| 9 | 100258-01-700 | EA | LABEL-HOOD NOSE | CC428 |

VENTLINE
MODEL TCS-5008-NBDLG



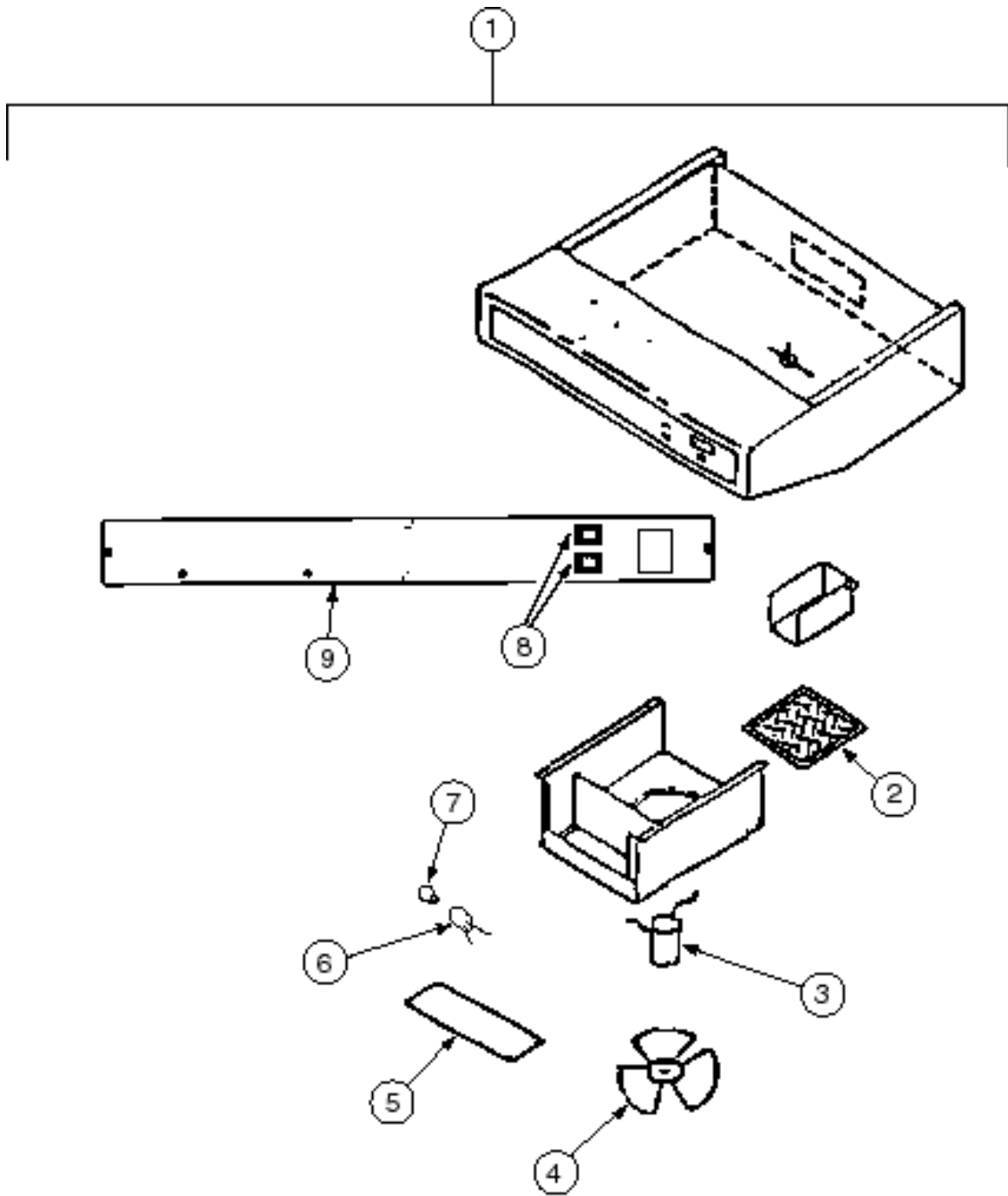
| KEY | PART NUMBER | U/M | DESCRIPTION | VENDOR NO. |
|-----|---------------|-----|---|------------|
| 1 | 100258-16-04A | EA | HOOD - RANGE - W/O MONITOR PANEL-W/O HOUR METER/SWITCH-US | |
| 2 | 096983-01-707 | EA | FILTER-MESH | CC246 |
| 3 | 090973-01-700 | EA | MOTOR-12 VOLT, CSA & UL | CA508-1 |
| 4 | 090973-01-702 | EA | BLADE-FAN | VA183-1 |
| 5 | 092696-02-701 | EA | LENS-LAMP | CC179-2 |
| 6 | 092696-01-710 | EA | HOLDER-LAMP | CB267-2 |
| 7 | 092696-01-709 | EA | LAMP #912 | VA415 |
| 8 | 096983-01-700 | EA | SWITCH-ON/OFF | 108 |
| 9 | 100258-01-700 | EA | LABEL-HOOD NOSE | CC428 |

VENTLINE
MODEL TCS-5008-NBDLG



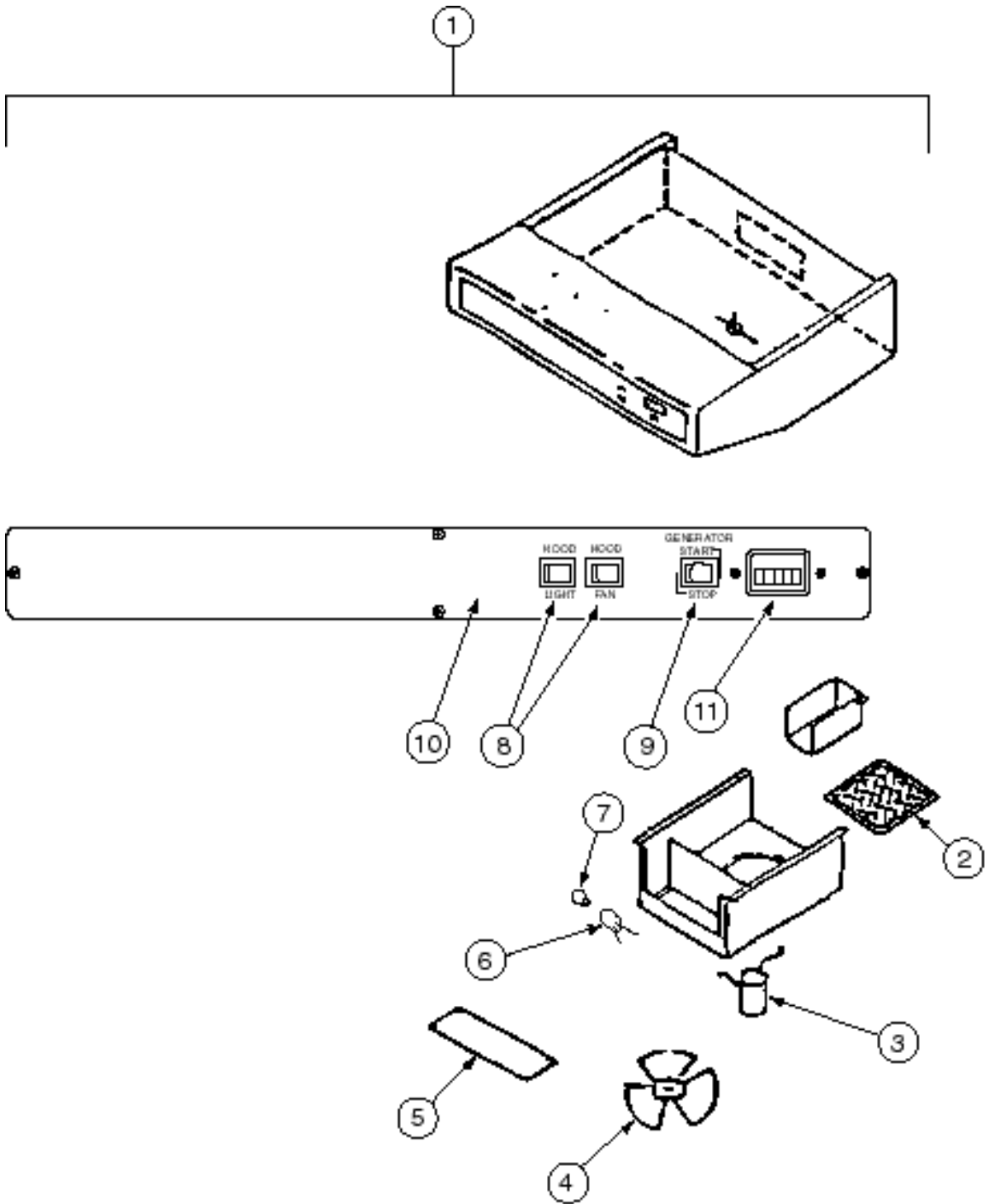
| KEY | PART NUMBER | U/M | DESCRIPTION | VENDOR NO. |
|-----|---------------|-----|--|------------|
| 1 | 100258-17-03A | EA | HOOD - RANGE - W/O MONITOR PANEL - W/O HOUR METER & SWITCH | |
| 2 | 096983-01-707 | EA | FILTER-MESH | CC246 |
| 3 | 090973-01-700 | EA | MOTOR-12 VOLT, CSA & UL | CA508-1 |
| 4 | 090973-01-702 | EA | BLADE-FAN | VA183-1 |
| 5 | 092696-02-701 | EA | LENS-LAMP | CC179-2 |
| 6 | 092696-01-710 | EA | HOLDER-LAMP | CB267-2 |
| 7 | 092696-01-709 | EA | LAMP #912 | VA415 |
| 8 | 096983-01-700 | EA | SWITCH-ON/OFF | 108 |
| 9 | 100258-01-700 | EA | LABEL-HOOD NOSE | CC428 |

VENTLINE
MODEL TCS-5008-NBDLG



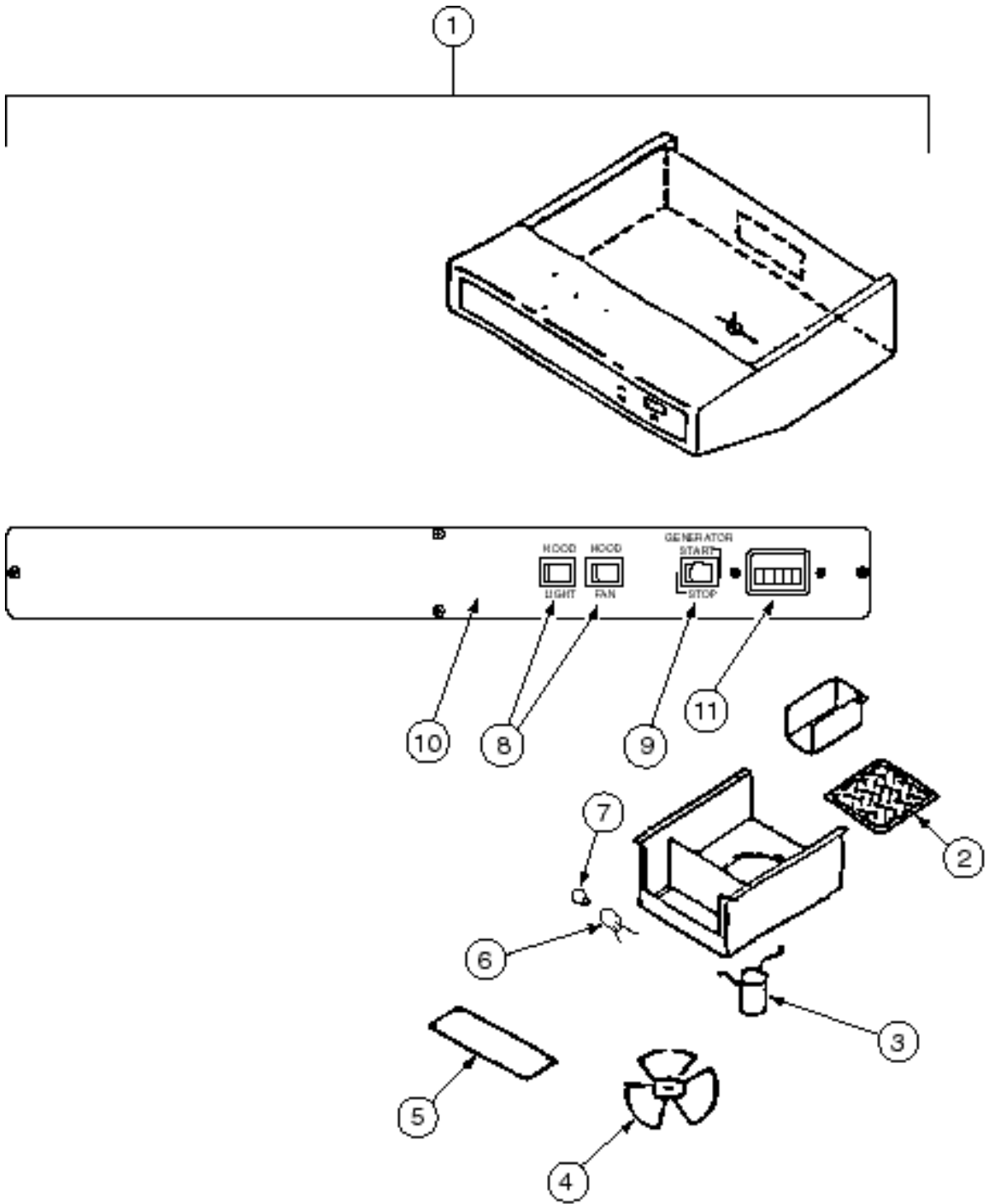
| KEY | PART NUMBER | U/M | DESCRIPTION | VENDOR NO. |
|-----|---------------|-----|--|------------|
| 1 | 100258-17-04A | EA | HOOD - RANGE - W/O MONITOR PANEL-W/O HOUR METER/SWITCH-CSA | |
| 2 | 096983-01-707 | EA | FILTER-MESH | CC246 |
| 3 | 090973-01-700 | EA | MOTOR-12 VOLT, CSA & UL | CA508-1 |
| 4 | 090973-01-702 | EA | BLADE-FAN | VA183-1 |
| 5 | 092696-02-701 | EA | LENS-LAMP | CC179-2 |
| 6 | 092696-01-710 | EA | HOLDER-LAMP | CB267-2 |
| 7 | 092696-01-709 | EA | LAMP #912 | VA415 |
| 8 | 096983-01-700 | EA | SWITCH-ON/OFF | 108 |
| 9 | 100258-01-700 | EA | LABEL-HOOD NOSE | CC428 |

VENTLINE
MODEL TPS-5009-SADL



| KEY | PART NUMBER | U/M | DESCRIPTION | VENDOR NO. |
|-----|---------------|-----|--|------------|
| 1 | 100258-18-02A | EA | HOOD - RANGE - W/O MONITOR PANEL - W/HOUR METER & SWITCH | |
| 2 | 096983-01-707 | EA | FILTER-MESH | CC246 |
| 3 | 090973-01-700 | EA | MOTOR-12 VOLT, CSA & UL | CA508-1 |
| 4 | 090973-01-702 | EA | BLADE-FAN | VA183-1 |
| 5 | 092696-02-701 | EA | LENS-LAMP | CC179-2 |
| 6 | 092696-01-709 | EA | LAMP #912 | VA415 |
| 7 | 092696-01-710 | EA | HOLDER-LAMP | CB267-2 |
| 8 | 096983-01-700 | EA | SWITCH - ON/OFF | L0108-00 |
| 9 | 096983-01-702 | EA | SWITCH - MOM/OFF/MOM/3 TERM | L0112-00 |
| 10 | 100258-01-700 | EA | LABEL-HOOD NOSE | CC428 |
| 11 | 100258-10-01A | EA | HOUR METER 150 | |

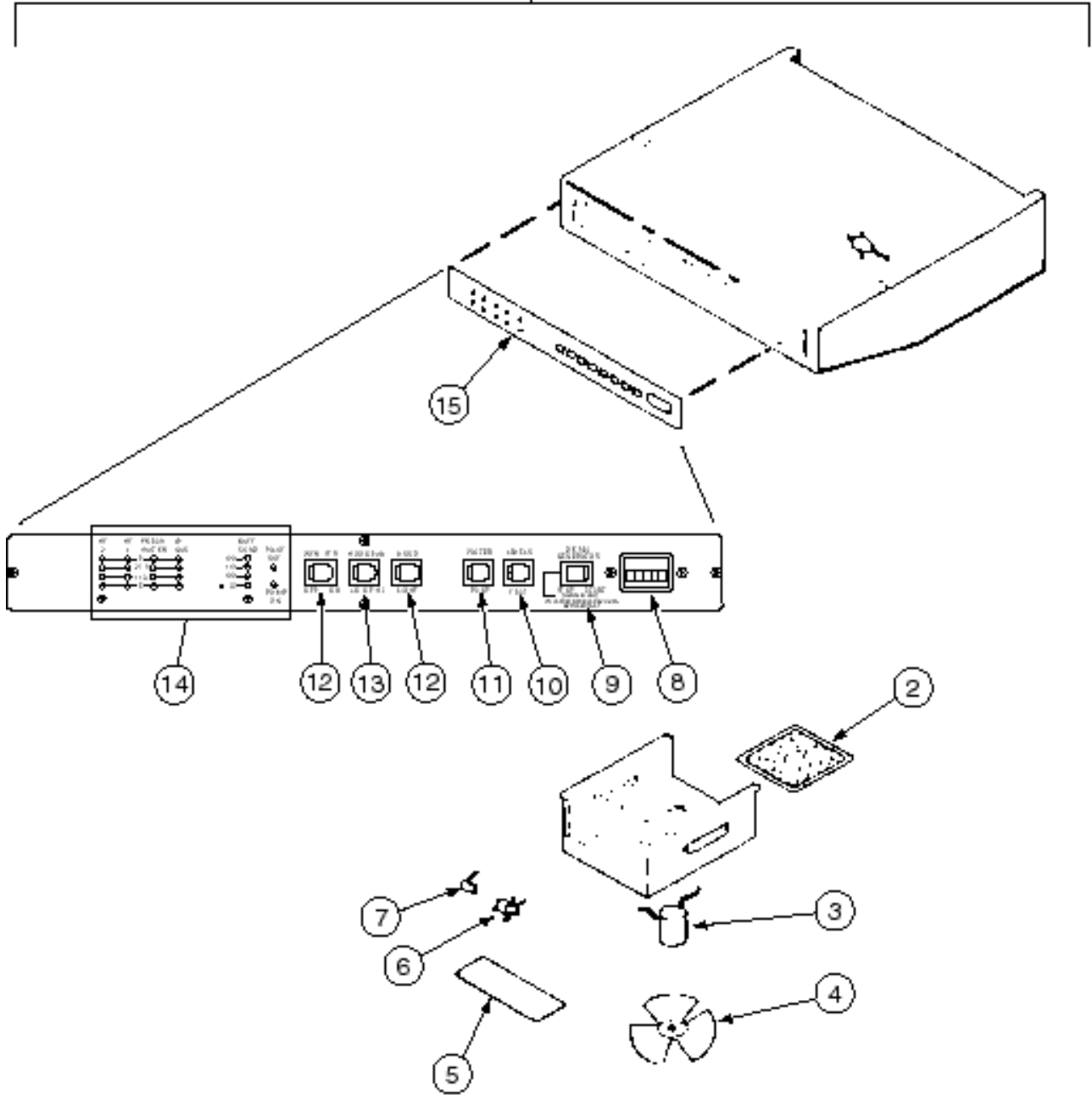
VENTLINE
MODEL TCS 500-NBCLG



| KEY | PART NUMBER | U/M | DESCRIPTION | VENDOR NO. |
|-----|---------------|-----|---|------------|
| 1 | 100258-18-03A | EA | HOOD - RANGE - W/O MONITOR PANEL-W/HOUR METER/SWITCH - US | |
| 2 | 096983-01-707 | EA | FILTER-MESH | CC246 |
| 3 | 090973-01-700 | EA | MOTOR-12 VOLT, CSA & UL | CA508-1 |
| 4 | 090973-01-702 | EA | BLADE-FAN | VA183-1 |
| 5 | 092696-02-701 | EA | LENS-LAMP | CC179-2 |
| 6 | 092696-01-709 | EA | LAMP #912 | VA415 |
| 7 | 092696-01-710 | EA | HOLDER-LAMP | CB267-2 |
| 8 | 096983-01-700 | EA | SWITCH - ON/OFF | L0108-00 |
| 9 | 096983-01-702 | EA | SWITCH - MOM/OFF/MOM/3 TERM | L0112-00 |
| 10 | 100258-01-700 | EA | LABEL-HOOD NOSE | CC428 |
| 11 | 100258-10-01A | EA | HOUR METER 150 | |

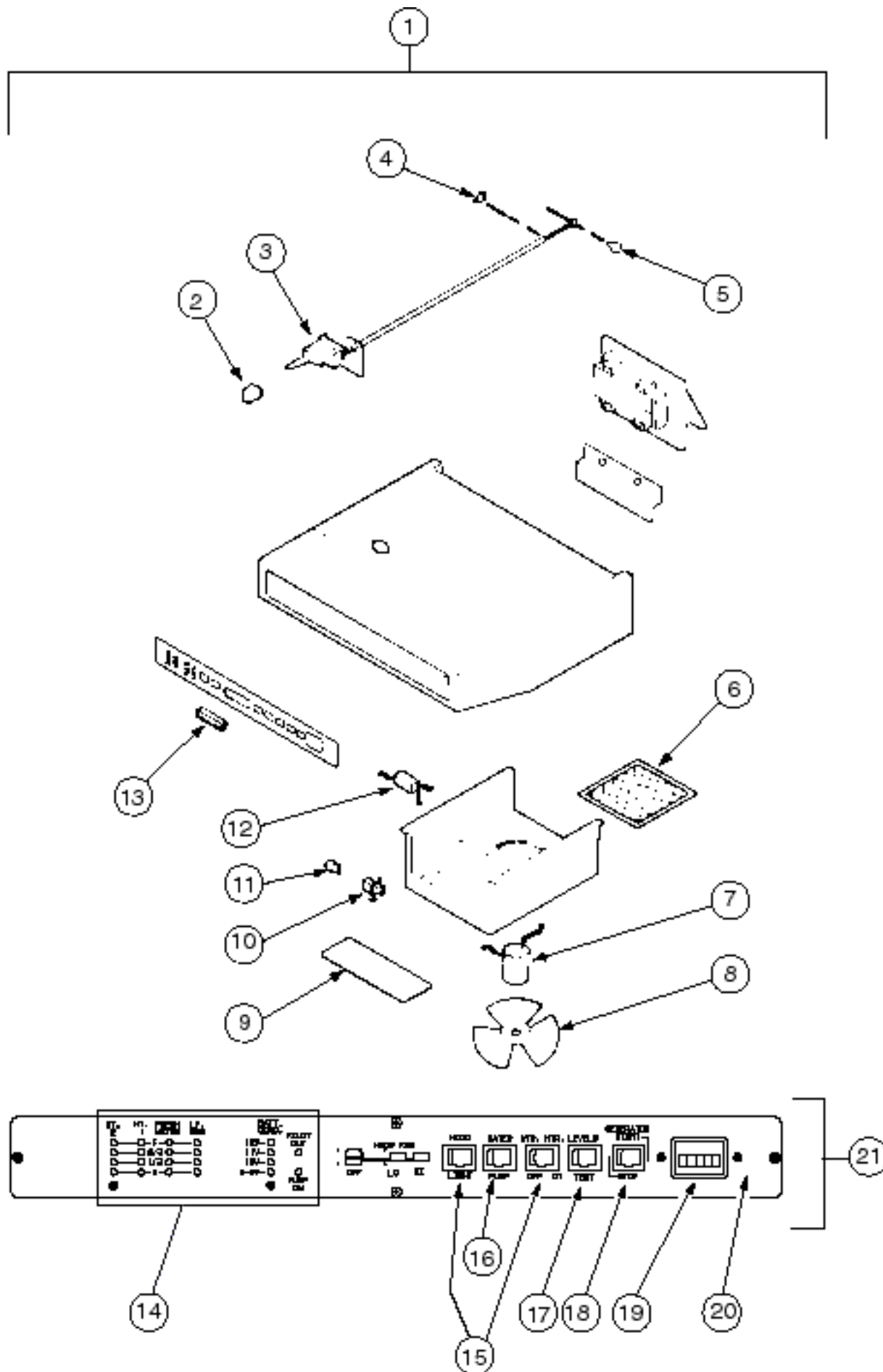
VENTLINE
MODEL TMR-5040 SBDL

1



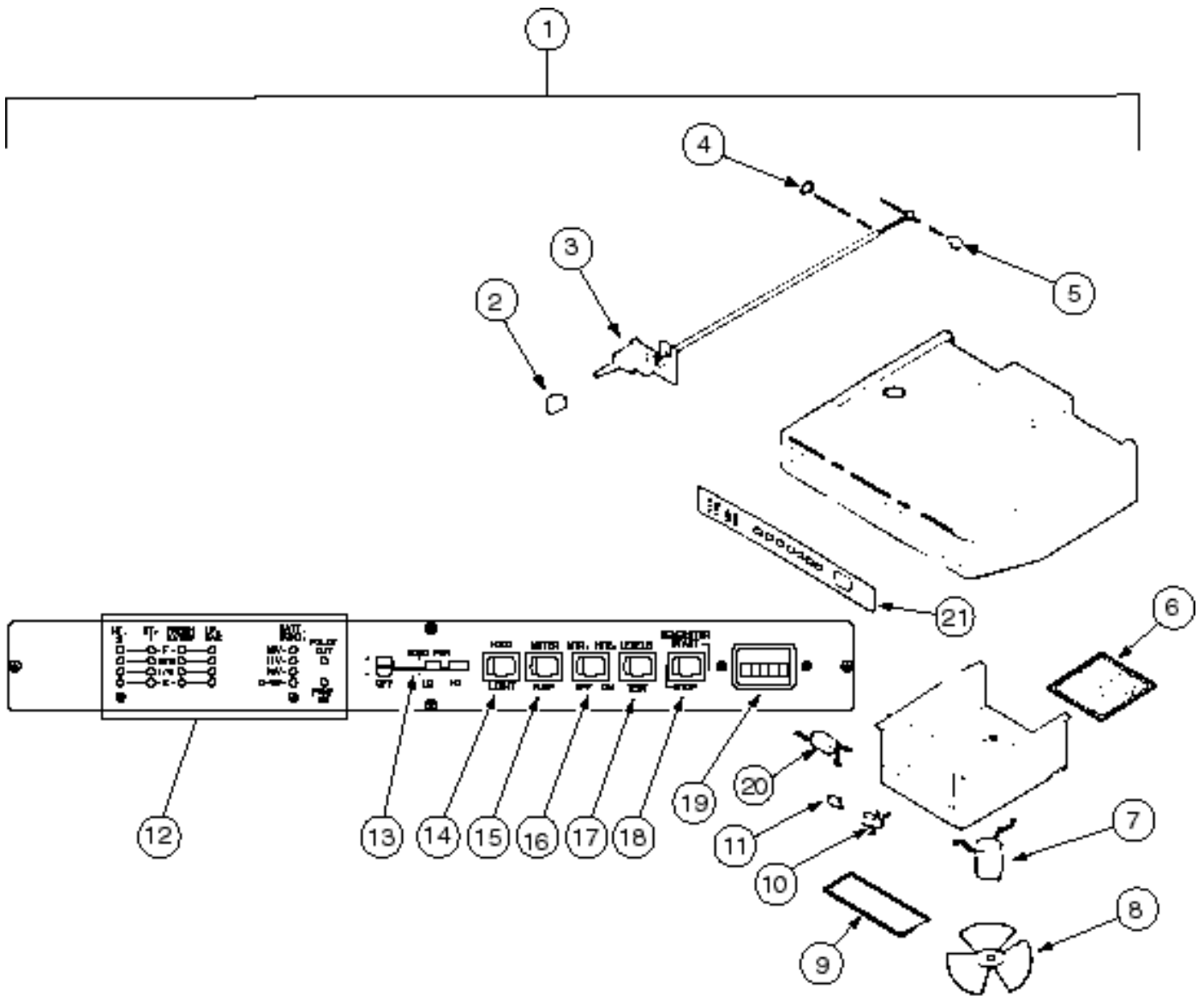
| KEY | PART NUMBER | U/M | DESCRIPTION | VENDOR NO. |
|-----|---------------|-----|--------------------------------------|------------|
| 1 | 100258-21-02A | EA | HOOD - RANGE - 22" - W/MONITOR PANEL | |
| 2 | 096983-01-707 | EA | FILTER-MESH | CC246 |
| 3 | 090973-01-700 | EA | MOTOR-12 VOLT, CSA & UL | CA508-1 |
| 4 | 090973-01-702 | EA | BLADE-FAN | VA183-1 |
| 5 | 092696-02-701 | EA | LENS-LAMP | CC179-2 |
| 6 | 092696-01-710 | EA | HOLDER-LAMP | CB267-2 |
| 7 | 092696-01-709 | EA | LAMP #912 | VA415 |
| 8 | 100258-10-01A | EA | HOUR METER 150 | |
| 9 | 096983-01-702 | EA | SWITCH - MOM/OFF/MOM/3 TERM | L0112-00 |
| 10 | 075470-01-703 | EA | SWITCH - ON/MOMENTARY | RP1016 |
| 11 | 096983-01-703 | EA | SWITCH - ON/ON | L0115-00 |
| 12 | 096983-01-700 | EA | SWITCH - ON/OFF | L0108-00 |
| 13 | 100258-08-701 | EA | SWITCH - FAN/2 SPEED | L122-00 |
| 14 | 100258-11-700 | EA | BOARD-CIRCUIT | L5099-01 |
| 15 | 100258-11-701 | EA | PANEL-CONTROL ASSEMBLY | LA9080 |
| | 092698-02-700 | EA | FASTENER - PUSH | VB430 |

**VENTLINE
MODEL TMS-5012-SBDL**



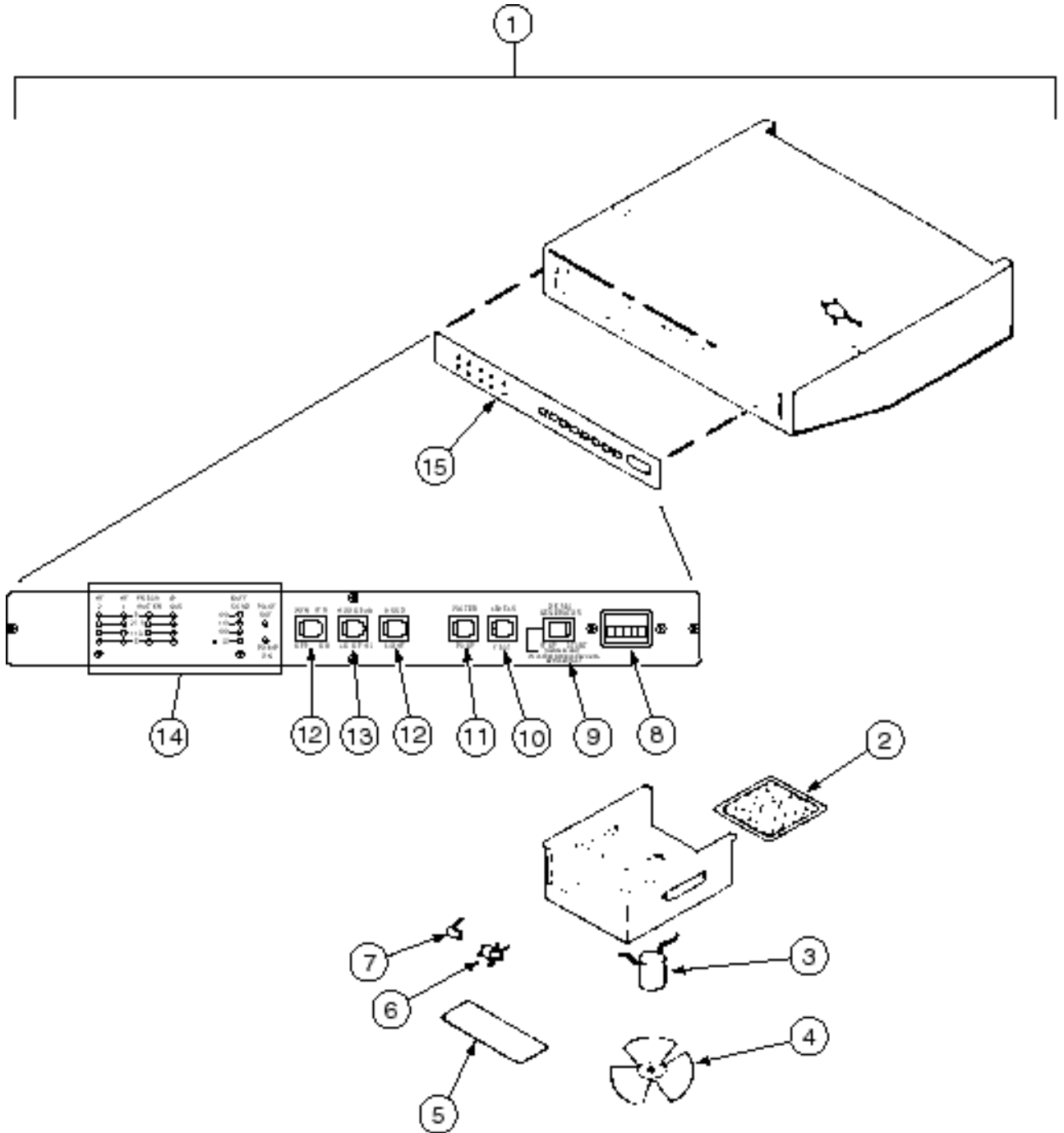
| KEY | PART NUMBER | U/M | DESCRIPTION | VENDOR NO. |
|-----|---------------|-----|--|------------|
| 1 | 100258-22-03A | EA | HOOD - RANGE - 22" - W/MONITOR PANEL | |
| 2 | 092696-01-701 | EA | KNOB - PLASTIC | CC 225 |
| 3 | 100258-04-702 | EA | SWITCH - LEVER - W/CABLE | CB547-1 |
| 4 | 092698-02-701 | EA | CLAMP - CONDUIT | VB334 |
| 5 | 092698-02-700 | EA | FASTENER - PUSH | VB430 |
| 6 | 096983-01-707 | EA | FILTER - MESH | CC246 |
| 7 | 090973-01-700 | EA | MOTOR - 12 VOLT - CSA & UL | CA508-1 |
| 8 | 090973-01-702 | EA | BLADE - FAN | VA183-1 |
| 9 | 092696-02-701 | EA | LENS - LAMP | CC179-2 |
| 10 | 092696-01-710 | EA | HOLDER - LAMP | CB267-2 |
| 11 | 092696-01-709 | EA | LAMP - #912 | VA415 |
| 12 | 092696-01-702 | EA | RESISTER - WIRE | L7314 |
| 13 | 100258-04-701 | EA | BEZEL - SWITCH LEVER | CC116 |
| 14 | 100258-11-700 | EA | BOARD - CIRCUIT - ADJUSTABLE POTENTIOMETER | L5099-01 |
| 15 | 096983-01-703 | EA | SWITCH - ON/ON | L0115-00 |
| 16 | 096983-01-700 | EA | SWITCH - ON/OFF | L0108-00 |
| 17 | 096983-01-701 | EA | SWITCH - SPST/MOM 2 TERMINAL | L0111-00 |
| 18 | 096983-01-702 | EA | SWITCH - MOM/OFF/MOM/3 TERM | L0112-00 |
| 19 | 100258-10-700 | EA | GAUGE - HOUR METER - SCREW ON | 150 |
| 19 | 100258-10-701 | EA | GAUGE - HOUR METER - CLIP ON | L0775-00 |
| 20 | 100258-14-700 | EA | PLATE - FACE - SCREENED | 9077 |
| 21 | 100258-12-700 | EA | PANEL - CONTROL ASSEMBLY | LA9076 |

**VENTLINE
MODEL TMS-5012-SBCL**



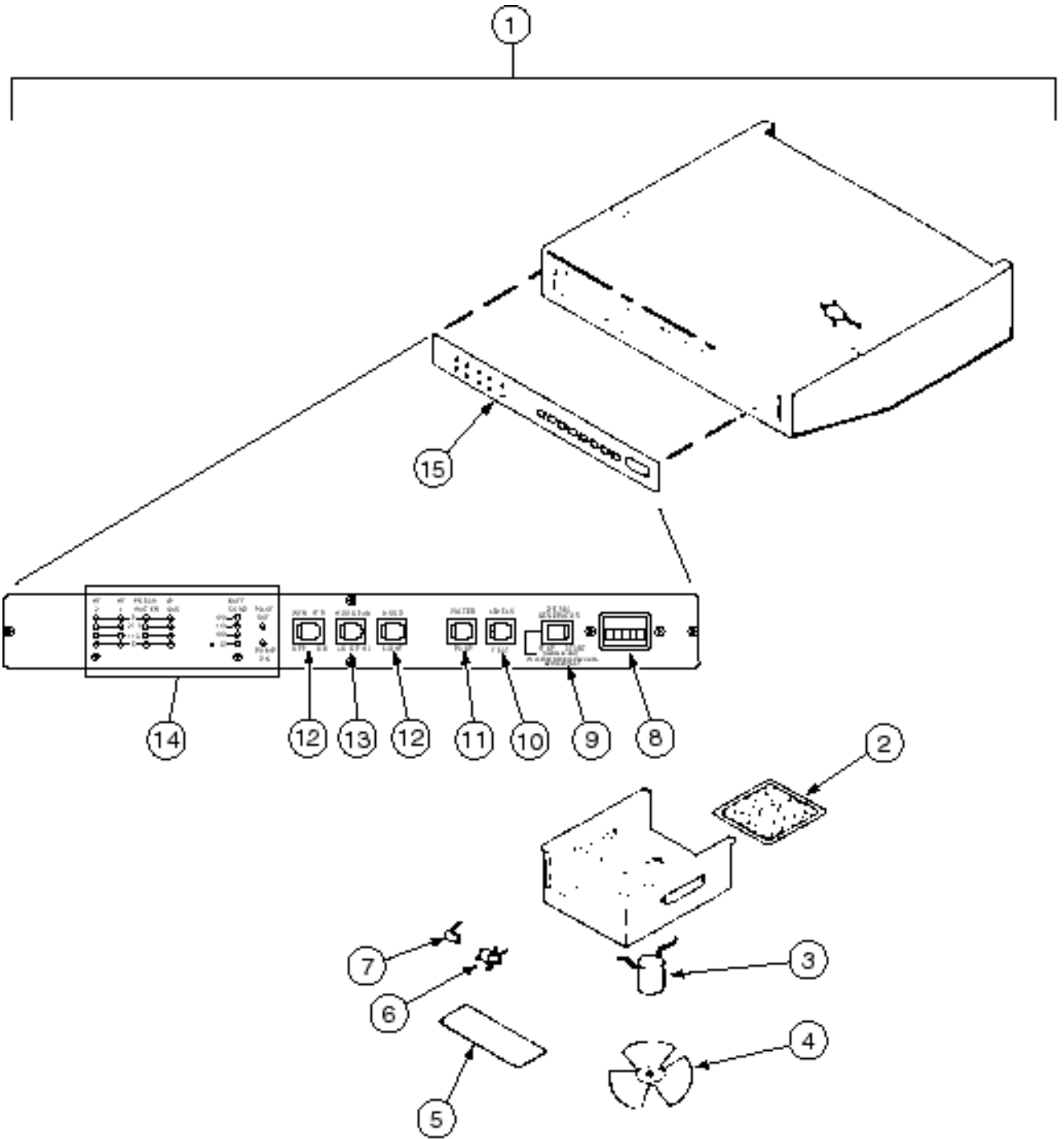
| KEY | PART NUMBER | U/M | DESCRIPTION | VENDOR NO. |
|-----|---------------|-----|--------------------------------------|--------------------|
| 1 | 100258-23-03A | EA | HOOD - RANGE - 22" - W/MONITOR PANEL | VENT TMS-5012-SBCL |
| 2 | 092696-01-701 | EA | KNOB-PLASTIC | CC 225 |
| 3 | 100258-04-702 | EA | SWITCH - LEVER - W/CABLE | CB547-1 |
| 4 | 092698-02-701 | EA | CLAMP-CONDUIT | VB334 |
| 5 | 092698-02-700 | EA | FASTENER - PUSH | VB430 |
| 6 | 096983-01-707 | EA | FILTER-MESH | CC246 |
| 7 | 090973-01-700 | EA | MOTOR-12 VOLT, CSA & UL | CA508-1 |
| 8 | 090973-01-702 | EA | BLADE-FAN | VA183-1 |
| 9 | 092696-02-701 | EA | LENS-LAMP | CC179-2 |
| 10 | 092696-01-710 | EA | HOLDER-LAMP | CB267-2 |
| 11 | 092696-01-709 | EA | LAMP #912 | VA415 |
| 13 | 100258-04-701 | EA | BEZEL-SWITCH LEVER | CC116 |
| 14 | 096983-01-700 | EA | SWITCH - ON/OFF | L0108-00 |
| 12 | 100258-11-700 | EA | BOARD-CIRCUIT | L5099-01 |
| 15 | 096983-01-703 | EA | SWITCH - ON/ON | L0115-00 |
| 16 | 096983-01-700 | EA | SWITCH - ON/OFF | L0108-00 |
| 17 | 075470-01-703 | EA | SWITCH - ON/MOMENTARY | RP1016 |
| 18 | 096983-01-702 | EA | SWITCH - MOM/OFF/MOM/3 TERM | L0112-00 |
| 19 | 100258-10-700 | EA | GAUGE-HOUR METER, SCREW ON | 150 |
| 20 | 092696-01-702 | EA | RESISTER-WIRE | L7314 |
| 21 | 100258-12-700 | EA | PANEL-CONTROL ASSEMBLY | LA9076 |

VENTLINE
MODEL TMR-5-52 SBCL



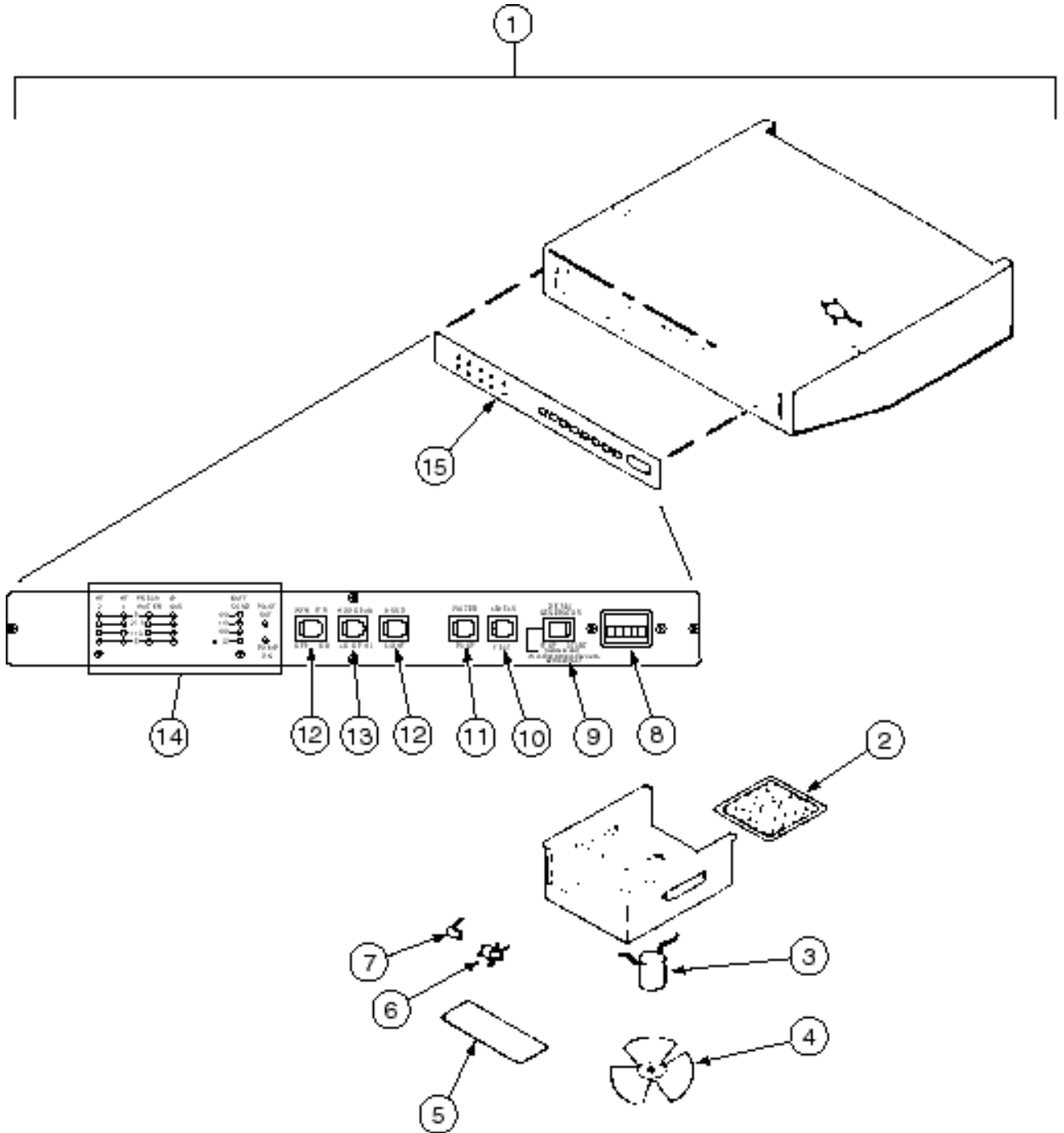
| KEY | PART NUMBER | U/M | DESCRIPTION | VENDOR NO. |
|-----|---------------|-----|--------------------------------------|------------|
| 1 | 100258-24-02A | EA | HOOD - RANGE - 22" - W/MONITOR PANEL | |
| 2 | 096983-01-707 | EA | FILTER-MESH | CC246 |
| 3 | 090973-01-700 | EA | MOTOR-12 VOLT, CSA & UL | CA508-1 |
| 4 | 090973-01-702 | EA | BLADE-FAN | VA183-1 |
| 5 | 092696-02-701 | EA | LENS-LAMP | CC179-2 |
| 6 | 092696-01-710 | EA | HOLDER-LAMP | CB267-2 |
| 7 | 092696-01-709 | EA | LAMP #912 | VA415 |
| 8 | 100258-10-01A | EA | HOUR METER 150 | |
| 9 | 096983-01-702 | EA | SWITCH - MOM/OFF/MOM/3 TERM | L0112-00 |
| 10 | 075470-01-703 | EA | SWITCH - ON/MOMENTARY | RP1016 |
| 11 | 096983-01-703 | EA | SWITCH - ON/ON | L0115-00 |
| 12 | 096983-01-700 | EA | SWITCH - ON/OFF | L0108-00 |
| 13 | 100258-08-701 | EA | SWITCH - FAN/2 SPEED | L122-00 |
| 14 | 100258-11-700 | EA | BOARD-CIRCUIT | L5099-01 |
| 15 | 100258-11-701 | EA | PANEL-CONTROL ASSEMBLY | LA9080 |
| | 092698-02-700 | EA | FASTENER - PUSH | VB430 |

VENTLINE
MODEL TMR-5053-SBDL



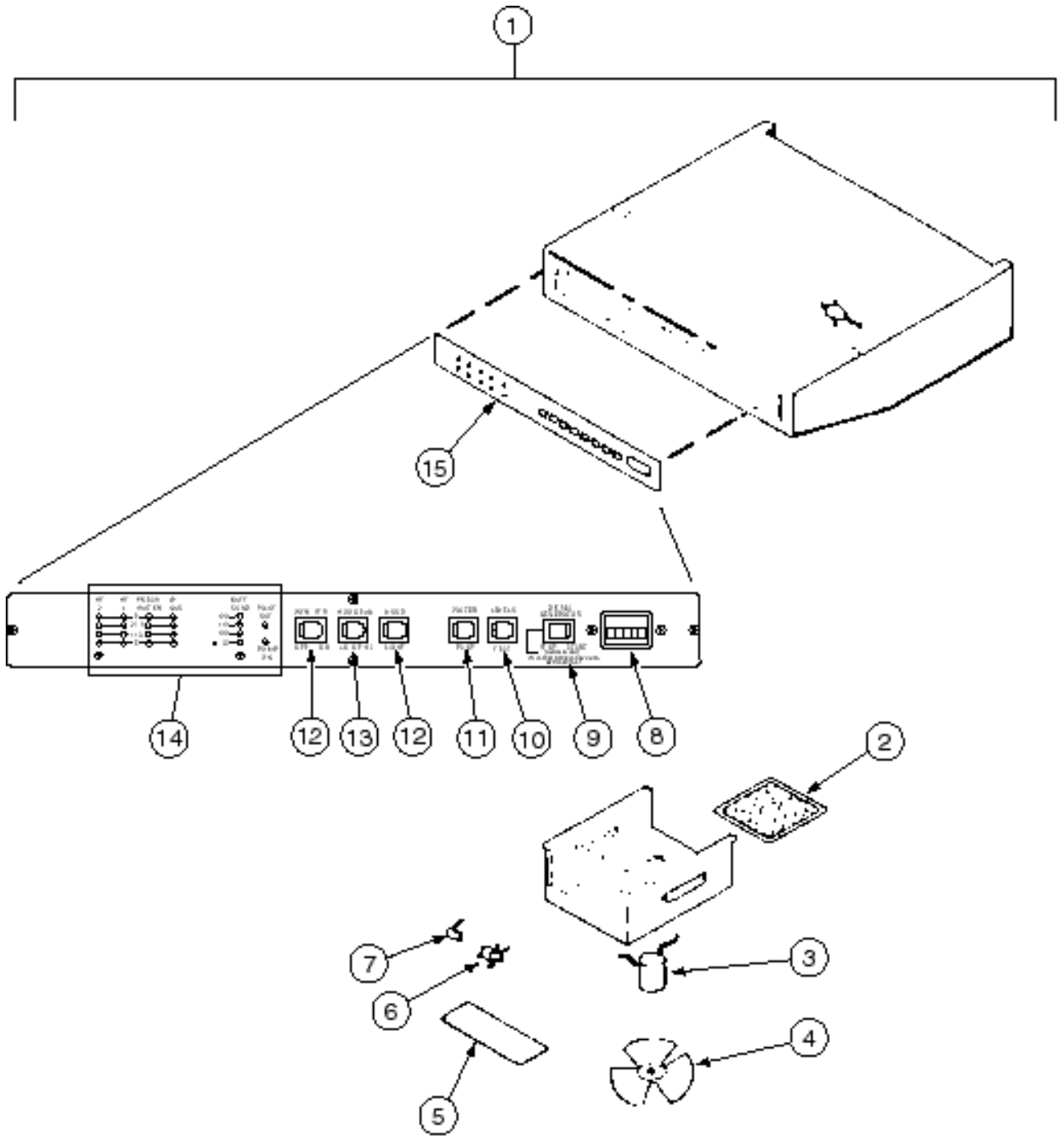
| KEY | PART NUMBER | U/M | DESCRIPTION | VENDOR NO. |
|-----|---------------|-----|--------------------------------------|------------|
| 1 | 100258-25-02A | EA | HOOD - RANGE - 22" - W/MONITOR PANEL | |
| 2 | 100258-05-700 | EA | FILTER - CHARCOAL | CC248 |
| 3 | 090973-01-700 | EA | MOTOR-12 VOLT, CSA & UL | CA508-1 |
| 4 | 090973-01-702 | EA | BLADE-FAN | VA183-1 |
| 5 | 092696-02-701 | EA | LENS-LAMP | CC179-2 |
| 6 | 092696-01-710 | EA | HOLDER-LAMP | CB267-2 |
| 7 | 092696-01-709 | EA | LAMP #912 | VA415 |
| 8 | 100258-10-01A | EA | HOUR METER 150 | |
| 9 | 096983-01-702 | EA | SWITCH - MOM/OFF/MOM/3 TERM | L0112-00 |
| 10 | 096983-01-701 | EA | SWITCH - SPST/MOMENTARY 2 TERMINAL | L0111-00 |
| 11 | 096983-01-703 | EA | SWITCH - ON/ON | L0115-00 |
| 12 | 075470-01-702 | EA | SWITCH - ON/OFF - (VARIOUS) | L0108 |
| 13 | 100258-05-701 | EA | SWITCH - FAN/2 SPEED | 117 |
| 14 | 100258-11-700 | EA | BOARD-CIRCUIT | L5099-01 |
| 15 | 100258-14-701 | EA | PANEL-CONTROL ASSEMBLY | LA9078 |

**VENTLINE
MODEL TMR-5053-SBCL**



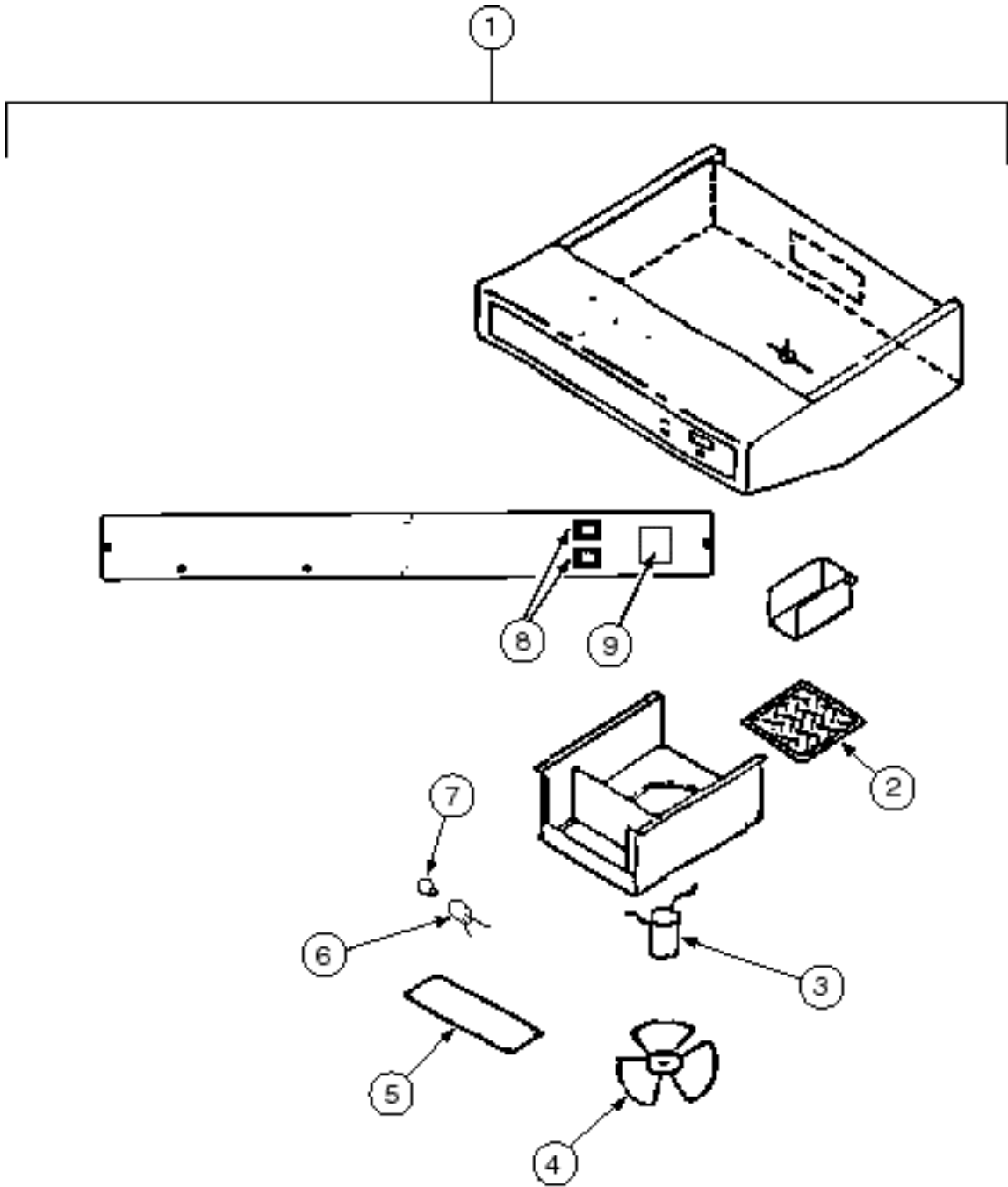
| KEY | PART NUMBER | U/M | DESCRIPTION | VENDOR NO. |
|-----|---------------|-----|--------------------------------------|------------|
| 1 | 100258-26-02A | EA | HOOD - RANGE - 22" - W/MONITOR PANEL | |
| 2 | 100258-05-700 | EA | FILTER - CHARCOAL | CC248 |
| 3 | 090973-01-700 | EA | MOTOR-12 VOLT, CSA & UL | CA508-1 |
| 4 | 090973-01-702 | EA | BLADE-FAN | VA183-1 |
| 5 | 092696-02-701 | EA | LENS-LAMP | CC179-2 |
| 6 | 092696-01-710 | EA | HOLDER-LAMP | CB267-2 |
| 7 | 092696-01-709 | EA | LAMP #912 | VA415 |
| 8 | 100258-10-01A | EA | HOUR METER 150 | |
| 9 | 096983-01-702 | EA | SWITCH - MOM/OFF/MOM/3 TERM | L0112-00 |
| 10 | 096983-01-701 | EA | SWITCH - SPST/MOMENTARY 2 TERMINAL | L0111-00 |
| 11 | 096983-01-703 | EA | SWITCH - ON/ON | L0115-00 |
| 12 | 075470-01-702 | EA | SWITCH - ON/OFF - (VARIOUS) | L0108 |
| 13 | 100258-05-701 | EA | SWITCH - FAN/2 SPEED | 117 |
| 14 | 100258-11-700 | EA | BOARD-CIRCUIT | L5099-01 |
| 15 | 100258-14-701 | EA | PANEL-CONTROL ASSEMBLY | LA9078 |

**VENTLINE
MODEL TMR-5040 SBDL**



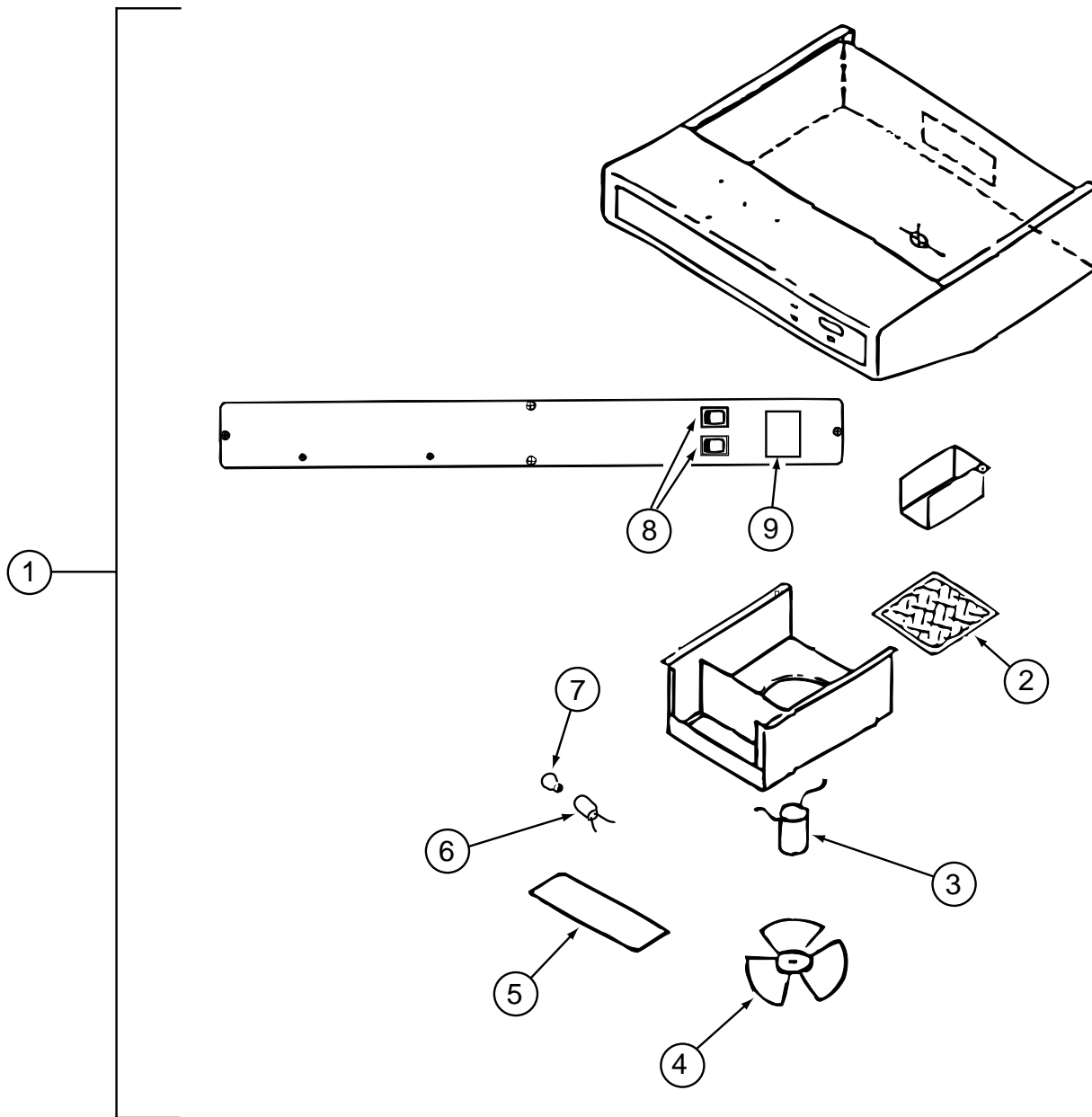
| KEY | PART NUMBER | U/M | DESCRIPTION | VENDOR NO. |
|-----|---------------|-----|-----------------------------------|------------|
| 1 | 100258-29-01A | EA | HOOD-RANGE 22 W/MON TMR-5040 SBDL | |
| 2 | 100258-05-700 | EA | FILTER-CHARCOAL | CC248 |
| 3 | 090973-01-700 | EA | MOTOR-12 VOLT, CSA & UL | CA508-1 |
| 4 | 090973-01-702 | EA | BLADE-FAN | VA183-1 |
| 5 | 092696-02-701 | EA | LENS-LAMP | CC179-2 |
| 6 | 092696-01-710 | EA | HOLDER-LAMP | CB267-2 |
| 7 | 092696-01-709 | EA | LAMP #912 | VA415 |
| 8 | 100258-10-01A | EA | HOUR METER | 150 |
| 9 | 096983-01-702 | EA | SWITCH - MOM/OFF/MOM/3 TERM | L0112-00 |
| 10 | 075470-01-703 | EA | SWITCH - ON/MOMENTARY | RP1016 |
| 11 | 096983-01-703 | EA | SWITCH - ON/ON | L0115-00 |
| 12 | 096983-01-700 | EA | SWITCH - ON/OFF | L0108-00 |
| 13 | 100258-05-701 | EA | SWITCH - FAN/2 SPEED | 117 |
| 14 | 100258-11-700 | EA | BOARD-CIRCUIT | L5099-01 |
| 15 | 100258-29-700 | EA | PANEL-CONTROL ASSEMBLY | LA9170 |

**VENTLINE
MODEL TCR 5041 NADL**



| KEY | PART NUMBER | U/M | DESCRIPTION | VENDOR NO. |
|-----|---------------|-----|---|------------|
| 1 | 100258-31-01A | EA | HOOD - RANGE - 22" - W/O MONITOR PANEL/HOUR METER | |
| 2 | 100258-05-700 | EA | FILTER - CHARCOAL | CC246 |
| 3 | 090973-01-700 | EA | MOTOR-12 VOLT, CSA & UL | CA508-1 |
| 4 | 090973-01-702 | EA | BLADE-FAN | VA183-1 |
| 5 | 092696-02-701 | EA | LENS-LAMP | CC179-2 |
| 6 | 092696-01-710 | EA | HOLDER-LAMP | CB267-2 |
| 7 | 092696-01-709 | EA | LAMP #912 | VA415 |
| 8 | 096983-01-700 | EA | SWITCH-ON/OFF | 108 |
| 9 | 100258-03-700 | EA | PLATE - COVER - HOUR METER | L6052 |

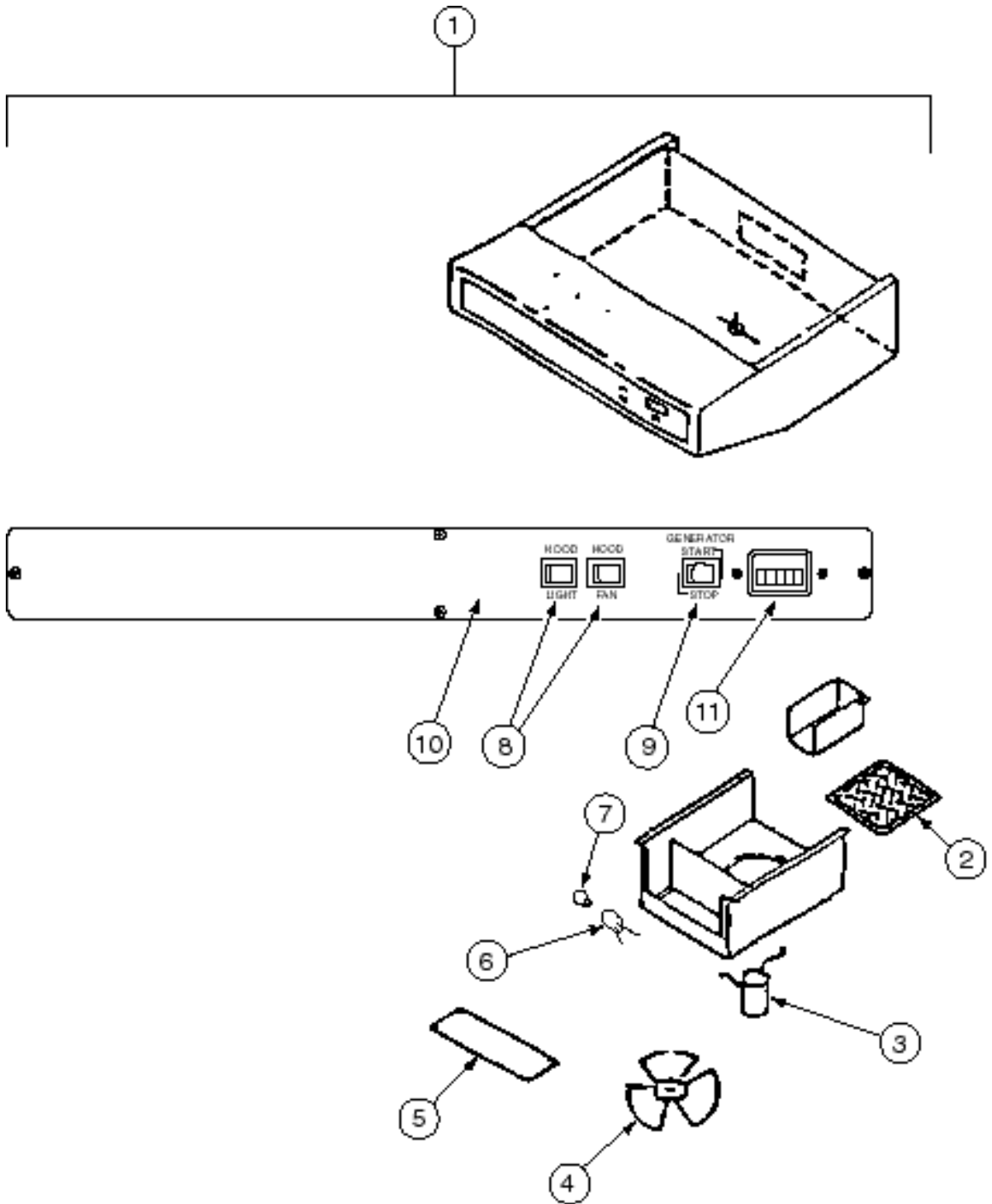
RANGE HOOD



100258-32-01A

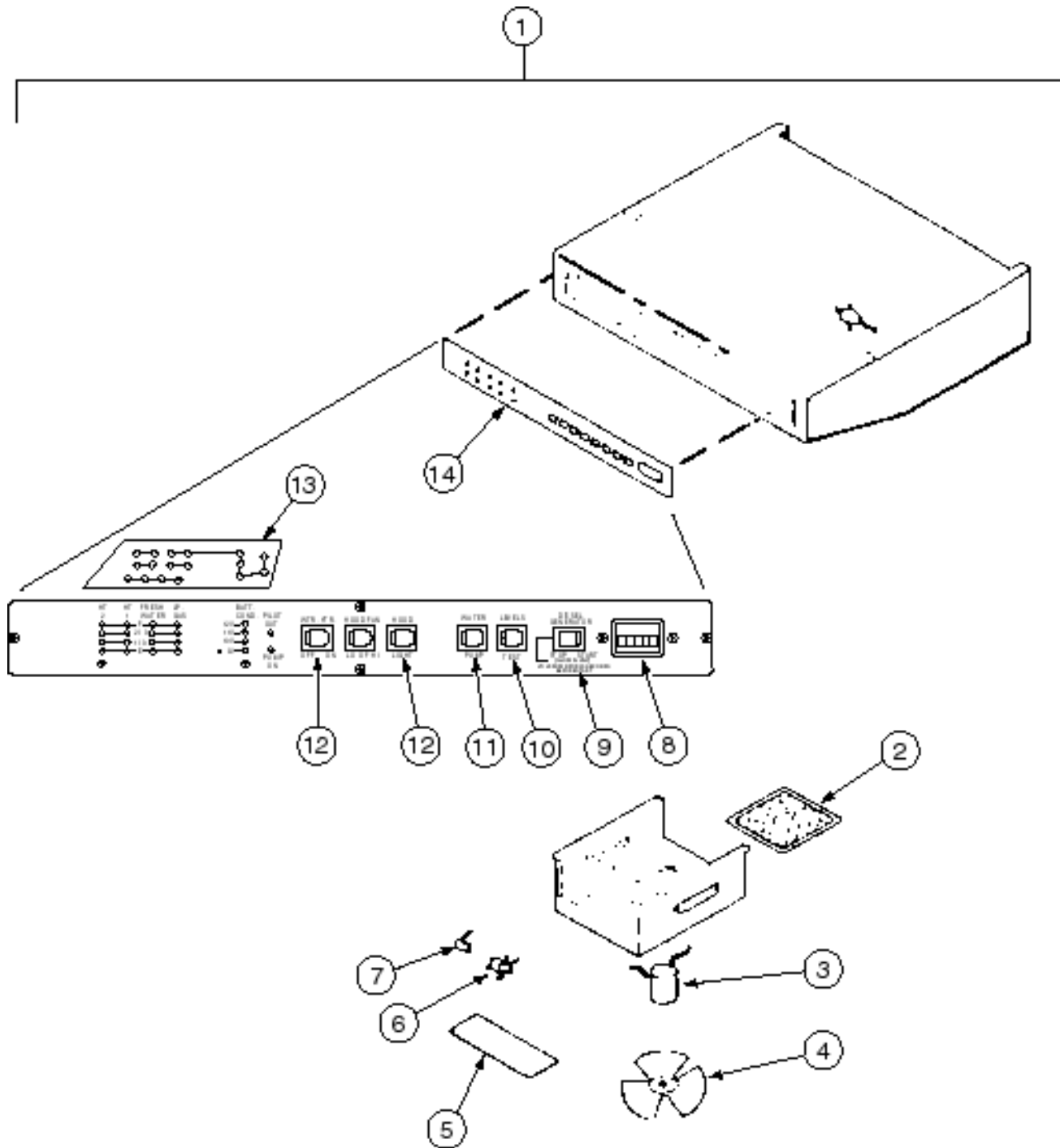
| KEY | PART NUMBER | U/M | DESCRIPTION | VENDOR NO. |
|-----|---------------|-----|---|--------------------|
| | 100258-32-01A | EA | HOOD - RANGE - 22" - W/O MONITOR PANEL/HOUR METER | VENT TCR 5041 NACL |
| 2 | 100258-05-700 | EA | FILTER-CHARCOAL | CC248 |
| 3 | 090973-01-700 | EA | MOTOR-12 VOLT, CSA & UL | CA508-1 |
| 4 | 090973-01-702 | EA | BLADE-FAN | VA183-1 |
| 5 | 092696-02-701 | EA | LENS-LAMP | CC179-2 |
| 6 | 092696-01-710 | EA | HOLDER-LAMP | CB267-2 |
| 7 | 092696-01-709 | EA | LAMP #912 | VA415 |
| 8 | 096983-01-700 | EA | SWITCH - ON/OFF | L0108-00 |
| 8 | 096983-01-702 | EA | SWITCH - MOM/OFF/MOM/3 TERM | L0112-00 |
| 9 | 097944-03-700 | EA | PLATE-COVER, HOUR METER | L6052 |
| | 100258-10-01A | EA | HOUR METER | 150 |

VENTLINE
MODEL TPR 5042 NADL



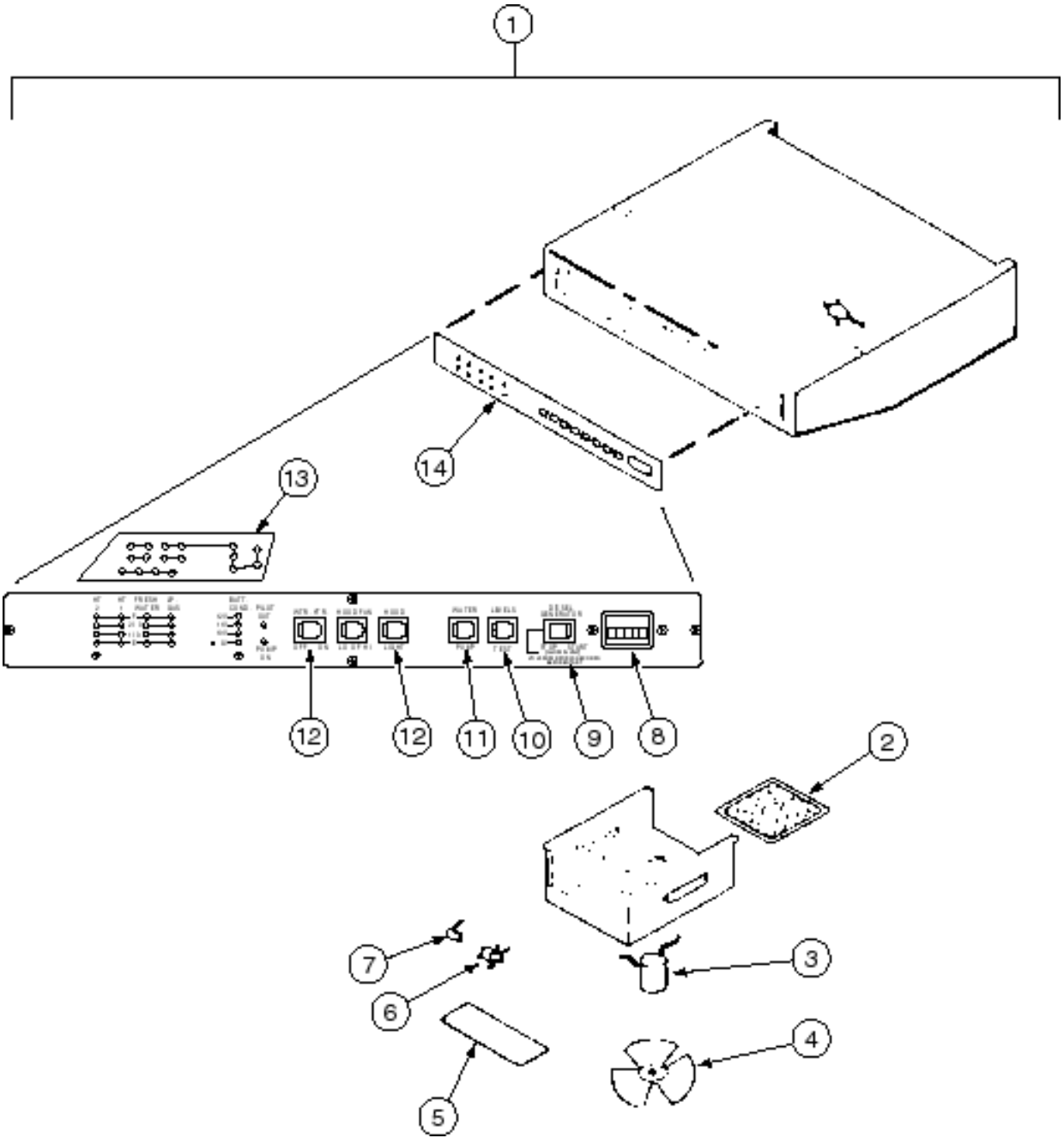
| KEY | PART NUMBER | U/M | DESCRIPTION | VENDOR NO. |
|-----|---------------|-----|---|------------|
| 1 | 100258-33-01A | EA | HOOD - RANGE - 22" - W/O MONITOR PANEL - W/HOUR METER | |
| 2 | 100258-05-700 | EA | FILTER - CHARCOAL | CC248 |
| 3 | 090973-01-700 | EA | MOTOR-12 VOLT, CSA & UL | CA508-1 |
| 4 | 090973-01-702 | EA | BLADE-FAN | VA183-1 |
| 5 | 092696-02-701 | EA | LENS - LAMP | CC179-2 |
| 6 | 092696-01-709 | EA | LAMP #912 | VA415 |
| 7 | 092696-01-710 | EA | HOLDER - LAMP | CB267-2 |
| 8 | 096983-01-700 | EA | SWITCH - ON/OFF | L0108-00 |
| 9 | 096983-01-702 | EA | SWITCH - MOM/OFF/MOM - 3 TERM INAL | L0112-00 |
| 10 | 100258-01-700 | EA | LABEL-HOOD NOSE | CC428 |
| 11 | 100258-10-01A | EA | HOUR METER 150 | |

**RANGE HOOD
VENTLINE
TMS 5057-SBDL**



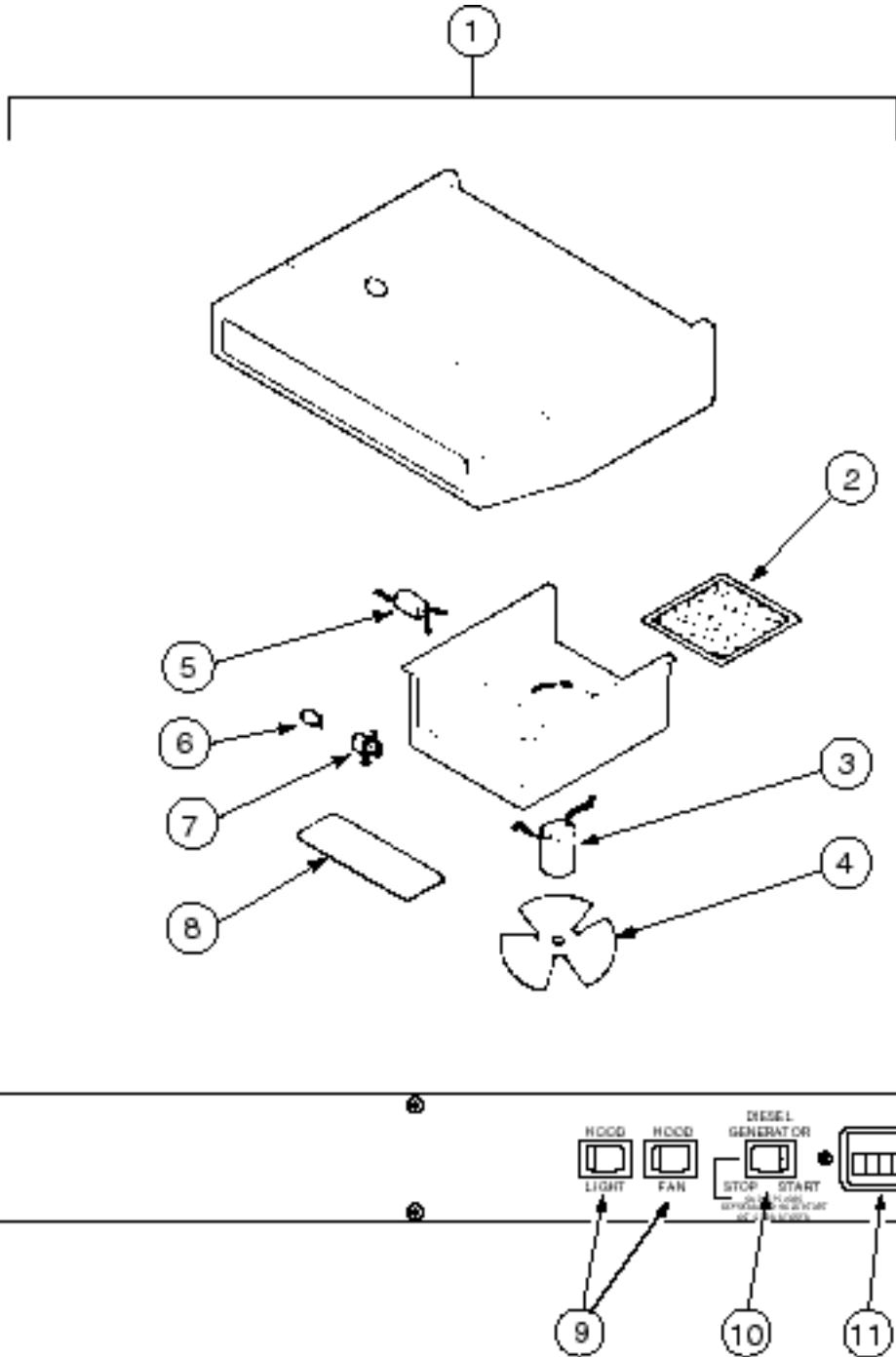
| KEY | PART NUMBER | U/M | DESCRIPTION | VENDOR NO. |
|-----|---------------|-----|-----------------------------------|------------|
| 1 | 100258-34-01A | EA | HOOD - RANGE 22 W/MONITOR PANEL | |
| 2 | 096983-01-707 | EA | FILTER - MESH | CC246 |
| 3 | 090973-01-700 | EA | MOTOR - 12 VOLT - CSA & UL | CA508-1 |
| 4 | 090973-01-702 | EA | BLADE - FAN | VA183-1 |
| 5 | 092696-02-701 | EA | LENS - LAMP | CC179-2 |
| 6 | 092696-01-710 | EA | HOLDER - LAMP | CB267-2 |
| 7 | 092696-01-709 | EA | LAMP #912 | VA415 |
| 8 | 100258-10-701 | EA | GAUGE - HOUR METER - CLIP ON | L0775-00 |
| 9 | 096983-01-702 | EA | SWITCH - MOM/OFF/MOM - 3 TERMINAL | L0112-00 |
| 10 | 096983-01-701 | EA | SWITCH - SPST/MOM - 2 TERMINAL | L0111-00 |
| 11 | 096983-01-703 | EA | SWITCH - ON/ON | L0115-00 |
| 12 | 096983-01-700 | EA | SWITCH - ON/OFF | L0108-00 |
| 13 | 100258-11-700 | EA | BOARD - CIRCUIT | L5099-01 |
| 14 | 100258-34-700 | EA | CHASSIS - SILKSCREENED | CC531 |
| | 092696-01-702 | EA | RESISTER - WIRE | L7314 |

RANGE HOOD
VENTLINE
TMS 5057-SBCL



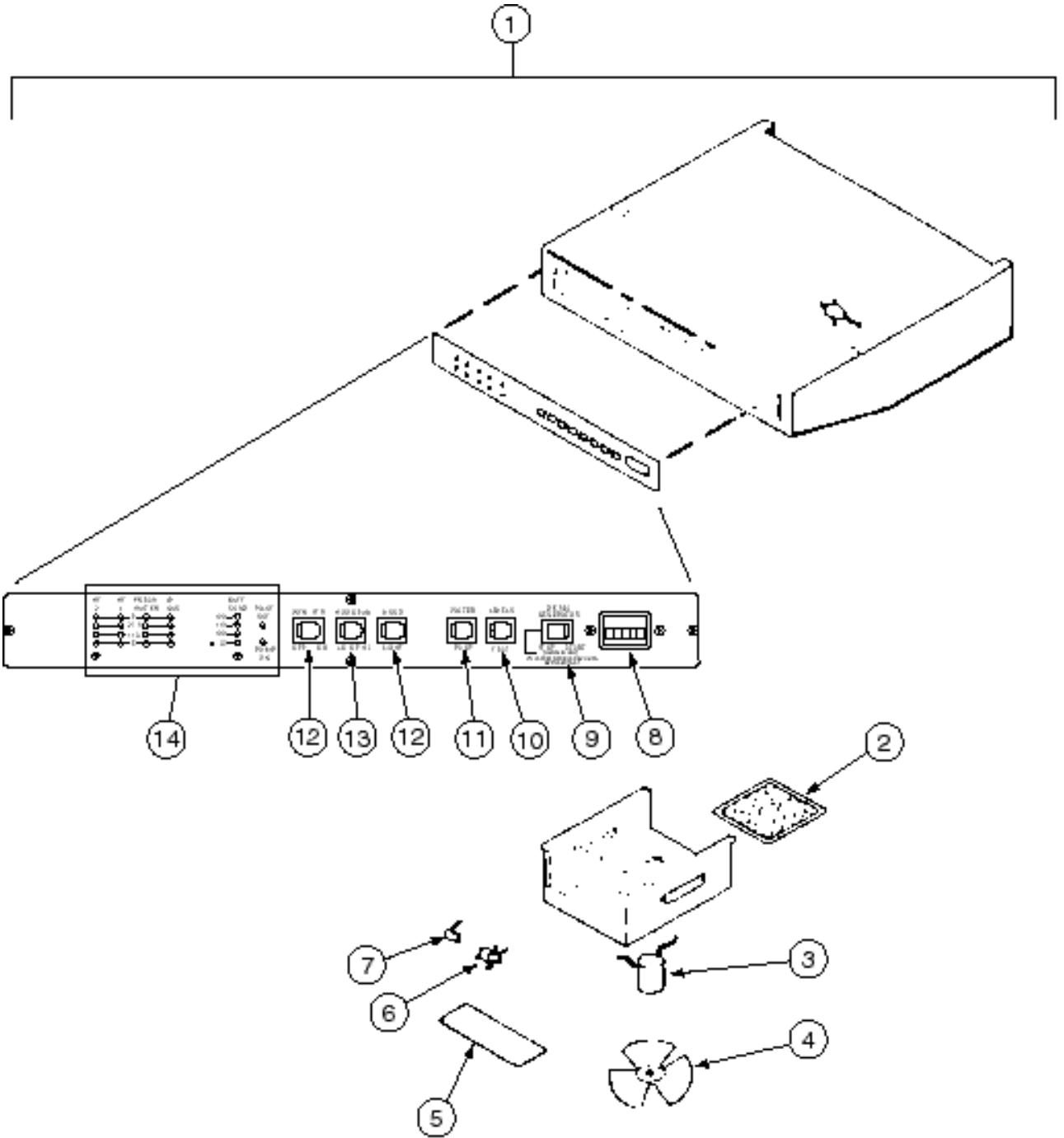
| KEY | PART NUMBER | U/M | DESCRIPTION | VENDOR NO. |
|-----|---------------|-----|-----------------------------------|------------|
| 1 | 100258-35-01A | EA | HOOD - RANGE 22 W/MONITOR PANEL | |
| 2 | 096983-01-707 | EA | FILTER - MESH | CC246 |
| 3 | 090973-01-700 | EA | MOTOR - 12 VOLT - CSA & UL | CA508-1 |
| 4 | 090973-01-702 | EA | BLADE - FAN | VA183-1 |
| 5 | 092696-02-701 | EA | LENS - LAMP | CC179-2 |
| 6 | 092696-01-710 | EA | HOLDER - LAMP | CB267-2 |
| 7 | 092696-01-709 | EA | LAMP #912 | VA415 |
| 8 | 100258-10-701 | EA | GAUGE - HOUR METER - CLIP ON | L0775-00 |
| 9 | 096983-01-702 | EA | SWITCH - MOM/OFF/MOM - 3 TERMINAL | L0112-00 |
| 10 | 096983-01-701 | EA | SWITCH - SPST/MOM - 2 TERMINAL | L0111-00 |
| 11 | 096983-01-703 | EA | SWITCH - ON/ON | L0115-00 |
| 12 | 096983-01-700 | EA | SWITCH - ON/OFF | L0108-00 |
| 13 | 100258-11-700 | EA | BOARD - CIRCUIT | L5099-01 |
| 14 | 100258-34-700 | EA | CHASSIS - SILKSCREENED | CC531 |
| | 092696-01-702 | EA | RESISTER - WIRE | L7314 |

RANGE HOOD
VENTLINE
TPS-5056-SBDL



| KEY | PART NUMBER | U/M | DESCRIPTION | VENDOR NO. |
|-----|---------------|-----|---|------------|
| 1 | 100258-36-01A | EA | HOOD - RANGE - W/O MONITOR PANEL-W/HOUR METER/SWITCH - US | |
| 2 | 096983-01-707 | EA | FILTER - MESH | CC246 |
| 3 | 090973-01-700 | EA | MOTOR - 12 VOLT - CSA & UL | CA508-1 |
| 4 | 090973-01-702 | EA | BLADE - FAN | VA183-1 |
| 5 | 092696-02-701 | EA | LENS - LAMP | CC179-2 |
| 6 | 092696-01-709 | EA | LAMP #912 | VA415 |
| 7 | 092696-01-710 | EA | HOLDER - LAMP | CB267-2 |
| 8 | 096983-01-700 | EA | SWITCH - ON/OFF | L0108-00 |
| 9 | 096983-01-702 | EA | SWITCH - MOM/OFF/MOM - 3 TERMINAL | L0112-00 |
| 10 | 100258-01-700 | EA | LABEL - HOOD NOSE | CC428 |
| 11 | 100258-10-01A | EA | HOUR METER 150 | |
| 12 | 100258-36-700 | EA | CHASSIS - SILKSCREENED | CC530 |
| | 092696-01-702 | EA | RESISTER - WIRE | L7314 |

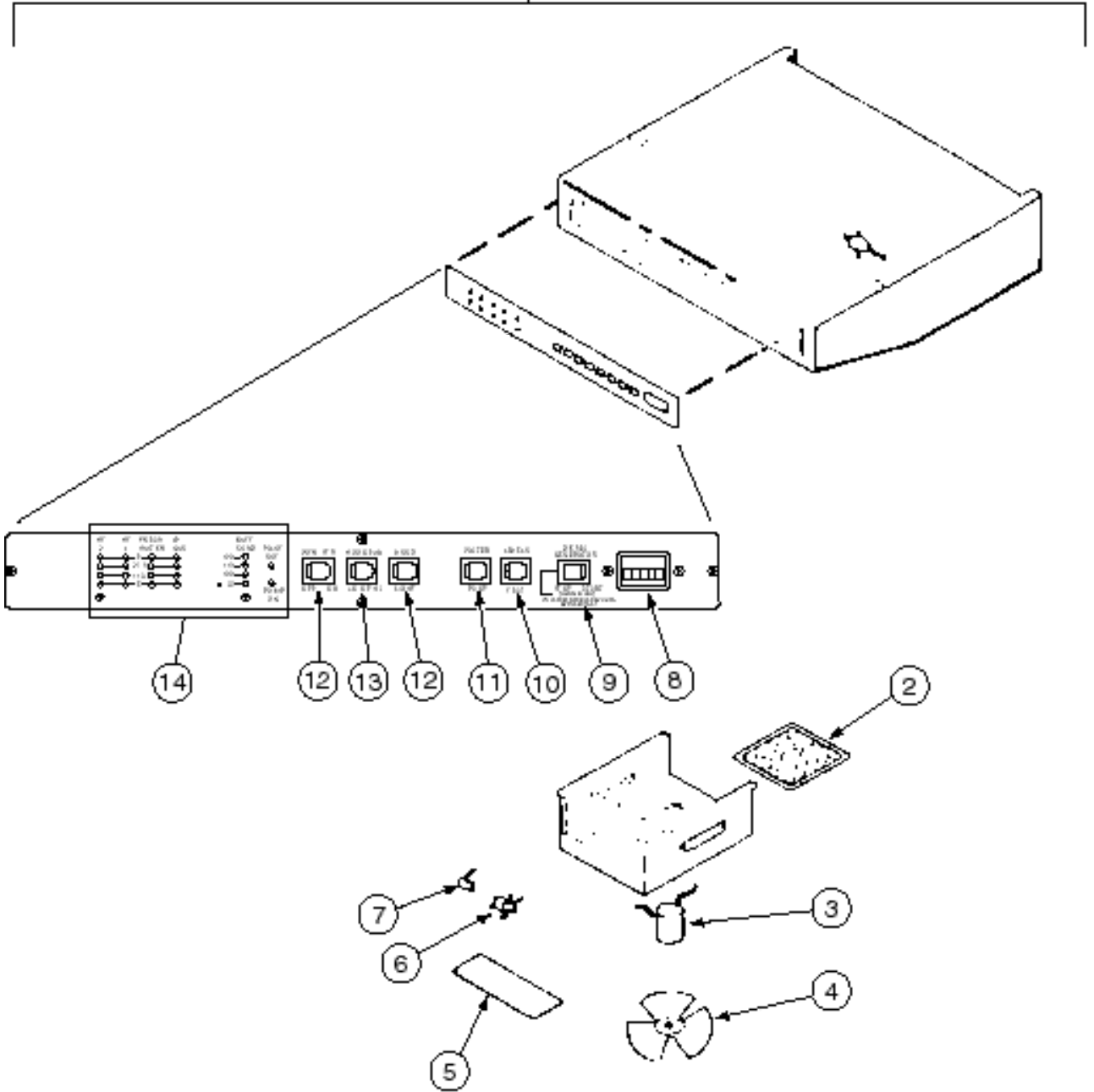
VENTLINE
MODEL TMR-5059-SBDL



| KEY | PART NUMBER | U/M | DESCRIPTION | VENDOR NO. |
|-----|---------------|-----|------------------------------------|------------|
| 1 | 100258-38-01A | EA | HOOD - RANGE - 22" W/MONITOR PANEL | |
| 2 | 100258-05-700 | EA | FILTER - CHARCOAL | CC248 |
| 3 | 090973-01-700 | EA | MOTOR-12 VOLT, CSA & UL | CA508-1 |
| 4 | 090973-01-702 | EA | BLADE-FAN | VA183-1 |
| 5 | 092696-02-701 | EA | LENS-LAMP | CC179-2 |
| 6 | 092696-01-710 | EA | HOLDER-LAMP | CB267-2 |
| 7 | 092696-01-709 | EA | LAMP #912 | VA415 |
| 8 | 100258-10-01A | EA | HOUR METER 150 | |
| 9 | 096983-01-702 | EA | SWITCH - MOM/OFF/MOM/3 TERM | L0112-00 |
| 10 | 096983-01-701 | EA | SWITCH - SPST/MOMENTARY 2 TERMINAL | L0111-00 |
| 11 | 096983-01-703 | EA | SWITCH - ON/ON | L0115-00 |
| 12 | 075470-01-700 | EA | SWITCH - ON/OFF | L0108-00 |
| 13 | 100258-05-701 | EA | SWITCH - FAN/2 SPEED | 117 |
| 14 | 100258-11-700 | EA | BOARD-CIRCUIT | L5099-01 |

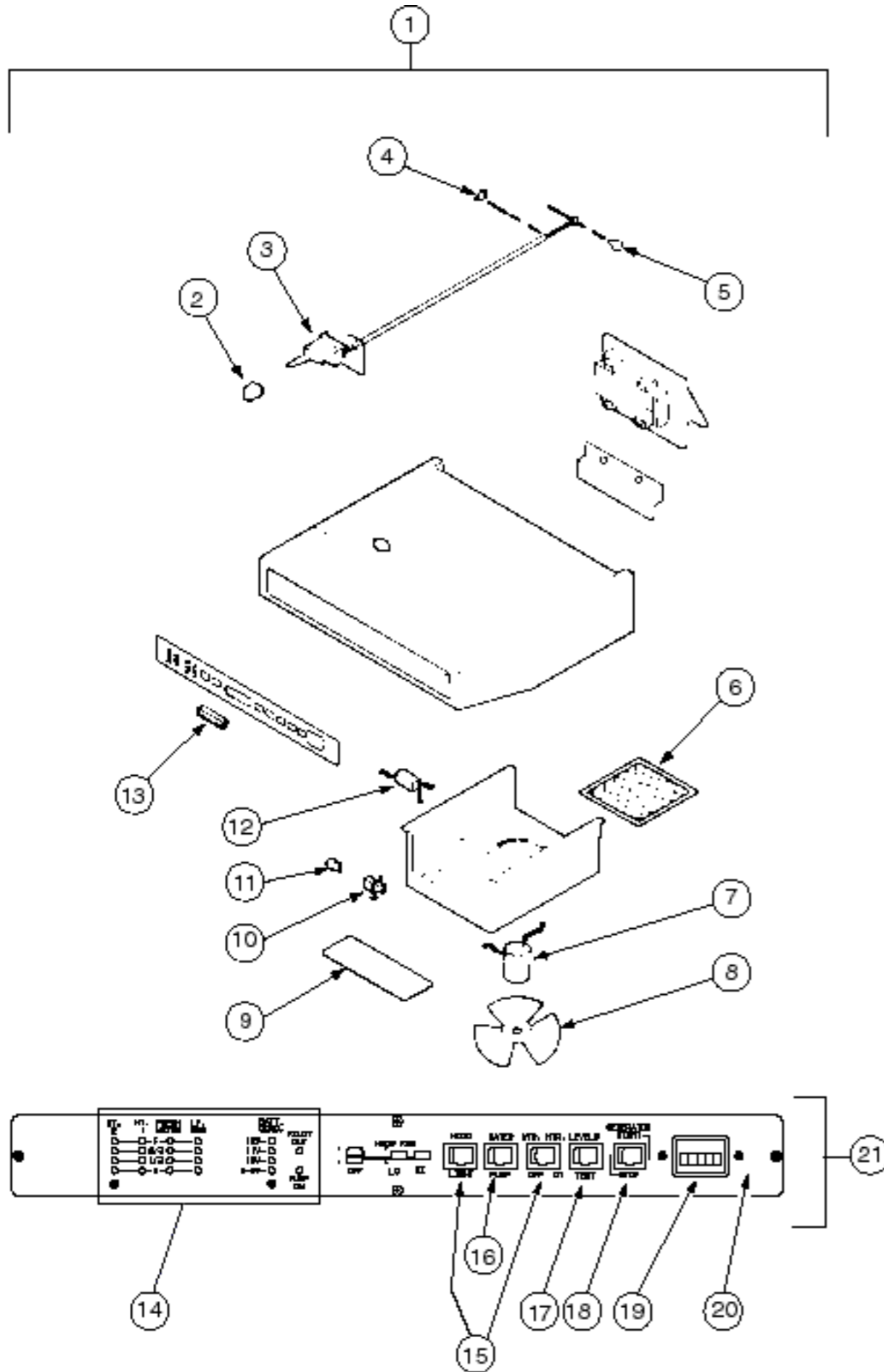
VENTLINE
MODEL TMR-5059-SBCL

1



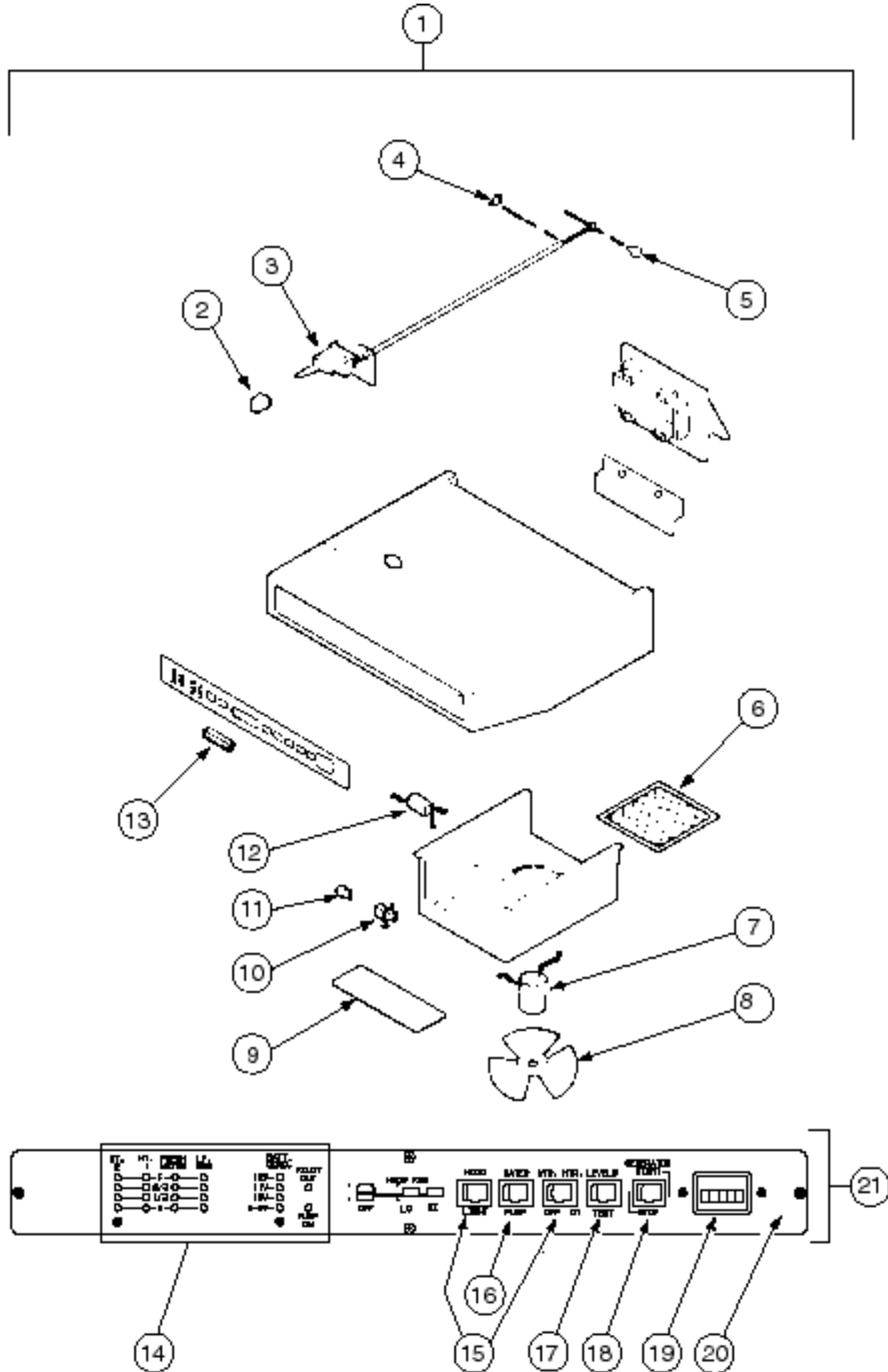
| KEY | PART NUMBER | U/M | DESCRIPTION | VENDOR NO. |
|-----|---------------|-----|------------------------------------|------------|
| 1 | 100258-39-01A | EA | HOOD - RANGE - 22" W/MONITOR PANEL | |
| 2 | 100258-05-700 | EA | FILTER - CHARCOAL | CC248 |
| 3 | 090973-01-700 | EA | MOTOR-12 VOLT, CSA & UL | CA508-1 |
| 4 | 090973-01-702 | EA | BLADE-FAN | VA183-1 |
| 5 | 092696-02-701 | EA | LENS-LAMP | CC179-2 |
| 6 | 092696-01-710 | EA | HOLDER-LAMP | CB267-2 |
| 7 | 092696-01-709 | EA | LAMP #912 | VA415 |
| 8 | 100258-10-01A | EA | HOUR METER 150 | |
| 9 | 096983-01-702 | EA | SWITCH - MOM/OFF/MOM/3 TERM | L0112-00 |
| 10 | 096983-01-701 | EA | SWITCH - SPST/MOMENTARY 2 TERMINAL | L0111-00 |
| 11 | 096983-01-703 | EA | SWITCH - ON/ON | L0115-00 |
| 12 | 075470-01-700 | EA | SWITCH - ON/OFF | L0108-00 |
| 13 | 100258-05-701 | EA | SWITCH - FAN/2 SPEED | 117 |
| 14 | 100258-11-700 | EA | BOARD-CIRCUIT | L5099-01 |

**VENTLINE
MODEL TMS-5062-SBDLG**



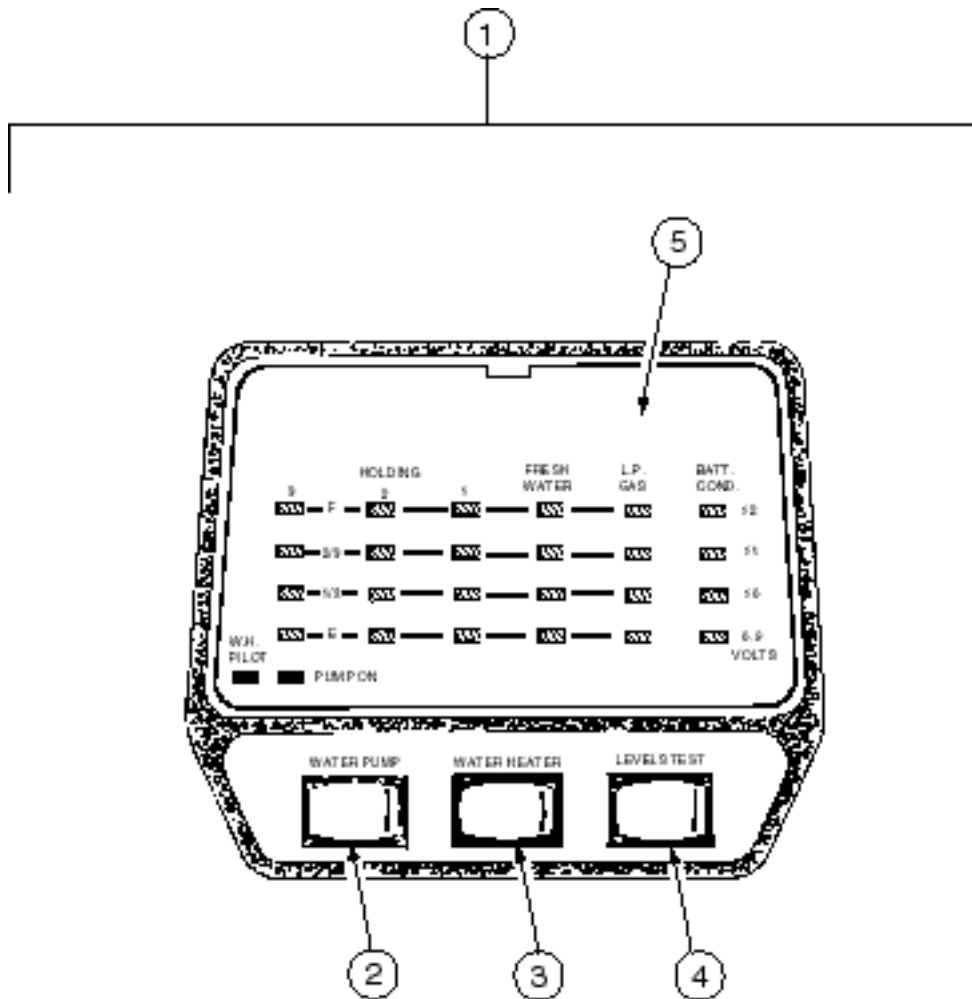
| KEY | PART NUMBER | U/M | DESCRIPTION | VENDOR NO. |
|-----|---------------|-----|---|------------|
| 1 | 100258-40-01A | EA | HOOD - RANGE 22" - W/MONITOR PANEL - BLACK TEXTURED | |
| 2 | 092696-01-701 | EA | KNOB - PLASTIC | CC 225 |
| 3 | 100258-40-700 | EA | SWITCH/LEVER CABLE ASSEMBLY | CB0547-03 |
| 4 | 092698-02-701 | EA | CLAMP - CONDUIT | VB334 |
| 5 | 092698-02-700 | EA | FASTENER - PUSH | VB430 |
| 6 | 096983-01-707 | EA | FILTER - MESH | CC246 |
| 7 | 090973-01-700 | EA | MOTOR - 12 VOLT - CSA & UL | CA508-1 |
| 8 | 090973-01-702 | EA | BLADE - FAN | VA183-1 |
| 9 | 092696-02-701 | EA | LENS - LAMP | CC179-2 |
| 10 | 092696-01-710 | EA | HOLDER - LAMP | CB267-2 |
| 11 | 092696-01-709 | EA | LAMP - #912 | VA415 |
| 12 | 092696-01-702 | EA | RESISTER - WIRE | L7314 |
| 13 | 100258-04-701 | EA | BEZEL - SWITCH LEVER | CC116 |
| 14 | 100258-11-700 | EA | BOARD - CIRCUIT - ADJUSTABLE POTENTIOMETER | L5099-01 |
| 15 | 096983-01-703 | EA | SWITCH - ON/ON | L0115-00 |
| 16 | 096983-01-700 | EA | SWITCH - ON/OFF | L0108-00 |
| 17 | 096983-01-701 | EA | SWITCH - SPST/MOM 2 TERMINAL | L0111-00 |
| 18 | 096983-01-702 | EA | SWITCH - MOM/OFF/MOM/3 TERM | L0112-00 |
| 19 | 100258-10-700 | EA | GAUGE - HOUR METER - SCREW ON | 150 |
| 19 | 100258-10-701 | EA | GAUGE - HOUR METER - CLIP ON | L0775-00 |
| 20 | 100258-14-700 | EA | PLATE - FACE - SCREENED | 9077 |
| 21 | 100258-12-700 | EA | PANEL - CONTROL ASSEMBLY | LA9076 |

**VENTLINE
MODEL TMS-5062-SBCLG**



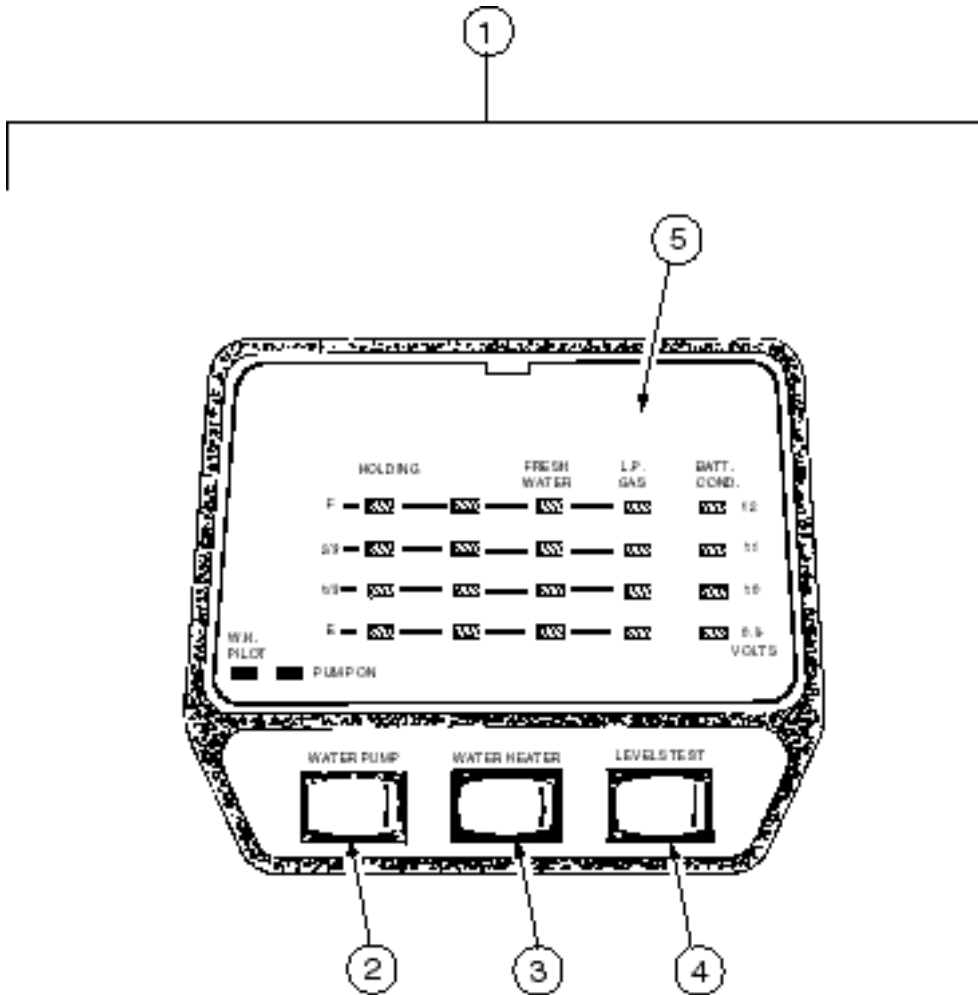
| KEY | PART NUMBER | U/M | DESCRIPTION | VENDOR NO. |
|-----|---------------|-----|---|---------------|
| 1 | 100258-41-01A | EA | HOOD - RANGE 22" - W/MONITOR PANEL - BLACK TEXTURED - CSA | CC 225 |
| 2 | 092696-01-701 | EA | KNOB - PLASTIC | CB0547-03 |
| 3 | 100258-40-700 | EA | SWITCH/LEVER CABLE ASSEMBLY | VB334 |
| 4 | 092698-02-701 | EA | CLAMP - CONDUIT | VB430 |
| 5 | 092698-02-700 | EA | FASTENER - PUSH | CC246 |
| 6 | 096983-01-707 | EA | FILTER - MESH | CA508-1 |
| 7 | 090973-01-700 | EA | MOTOR - 12 VOLT - CSA & UL | VA183-1 |
| 8 | 090973-01-702 | EA | BLADE - FAN | CC179-2 |
| 9 | 092696-02-701 | EA | LENS - LAMP | CB267-2 |
| 10 | 092696-01-710 | EA | HOLDER - LAMP | VA415 |
| 11 | 092696-01-709 | EA | LAMP - #912 | L7314 |
| 12 | 092696-01-702 | EA | RESISTER - WIRE | CC116THETFORD |
| 13 | 100258-04-701 | EA | BEZEL - SWITCH LEVER | L5099-01 |
| 14 | 100258-11-700 | EA | BOARD - CIRCUIT - ADJUSTABLE POTENTIOMETER | L0115-00 |
| 15 | 096983-01-703 | EA | SWITCH - ON/ON | L0108-00 |
| 16 | 096983-01-700 | EA | SWITCH - ON/OFF | L0111-00 |
| 17 | 096983-01-701 | EA | SWITCH - SPST/MOM 2 TERMINAL | L0112-00 |
| 18 | 096983-01-702 | EA | SWITCH - MOM/OFF/MOM/3 TERM | 150 |
| 19 | 100258-10-700 | EA | GAUGE - HOUR METER - SCREW ON | L0775-00 |
| 19 | 100258-10-701 | EA | GAUGE - HOUR METER - CLIP ON | 9077 |
| 20 | 100258-14-700 | EA | PLATE - FACE - SCREENED | LA9076 |
| 21 | 100258-12-700 | EA | PANEL - CONTROL ASSEMBLY | |

**LVS MONITOR PANEL
W/PLUG ALMOND
(3 HOLDING TANK)**



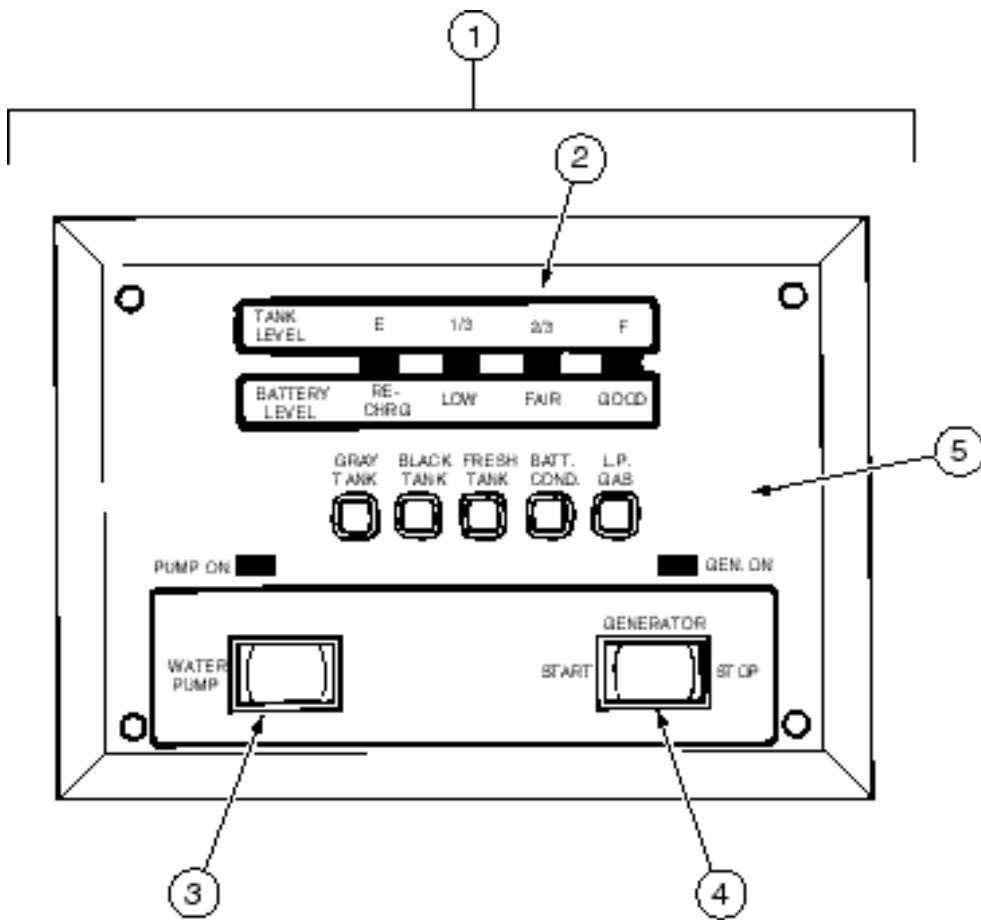
| KEY | PART NUMBER | U/M | DESCRIPTION | VENDOR NO |
|-----|---------------|-----|---------------------------------------|-------------------|
| 1 | 102765-03-01A | EA | PANEL - MONITOR - 3 TANK/WATER HEATER | LVS W/PLUG ALMOND |
| 2 | 097617-01-702 | EA | SWITCH (ALMOND) | 107 |
| 3 | 097617-01-701 | EA | SWITCH - ON/OFF - ALMOND | 106 |
| 4 | 102765-01-700 | EA | SWITCH - ON/ON - ALMOND | 110-01 |
| 5 | 102765-03-700 | EA | BOARD-CIRCUIT,3 HOLDING TANK | L5097-42 |

**LVS MONITOR PANEL
W/PLUG ALMOND
(2 HOLDING TANK)**



| KEY | PART NUMBER | U/M | DESCRIPTION | VENDOR NO |
|-----|---------------|-----|--|-----------|
| 1 | 102765-04-01A | EA | PANEL - MONITOR - 2 HOLDING TANKS - ADJUSTABLE | |
| 2 | 097617-01-702 | EA | SWITCH (ALMOND) | 107 |
| 3 | 097617-01-701 | EA | SWITCH - ON/OFF - ALMOND | 106 |
| 4 | 102765-01-700 | EA | SWITCH - ON/ON - ALMOND | 110-01 |
| 5 | 102765-04-700 | EA | BOARD-CIRCUIT,2 HOLDING TANK | L5097-41 |

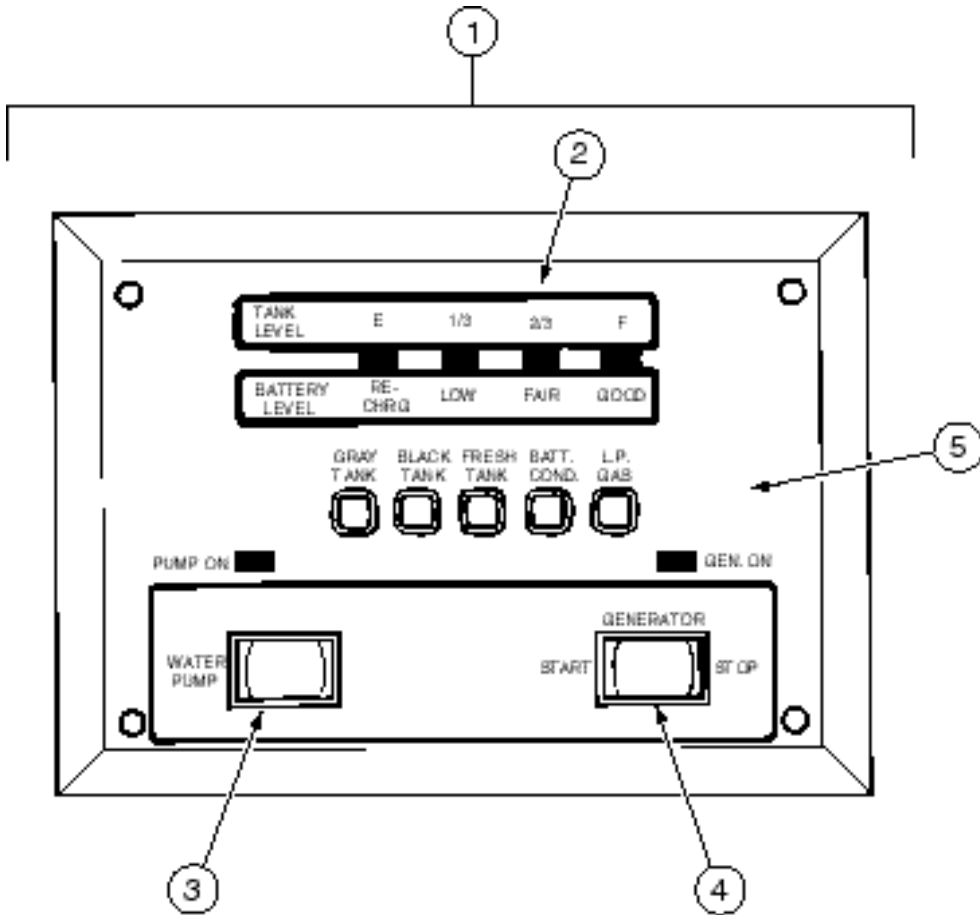
**MONITOR PANEL
VENTLINE LA1023-00**



| KEY | PART NUMBER | U/M | DESCRIPTION |
|-----|---------------|-----|---------------------------------|
| 1 | 114014-01-01A | EA | PANEL - MONITOR 2 TANK W/REMOTE |
| 2 | 114014-01-700 | EA | OVERLAY-SILKSCREEN |
| 3 | 096983-01-700 | EA | SWITCH - ON/OFF |
| 4 | 096983-01-702 | EA | SWITCH - MOM/OFF/MOM/3 TERM |
| 5 | 114014-01-701 | EA | BOARD-CIRCUIT |
| | 113566-01-701 | EA | RESISTOR-TANK HARNESS |

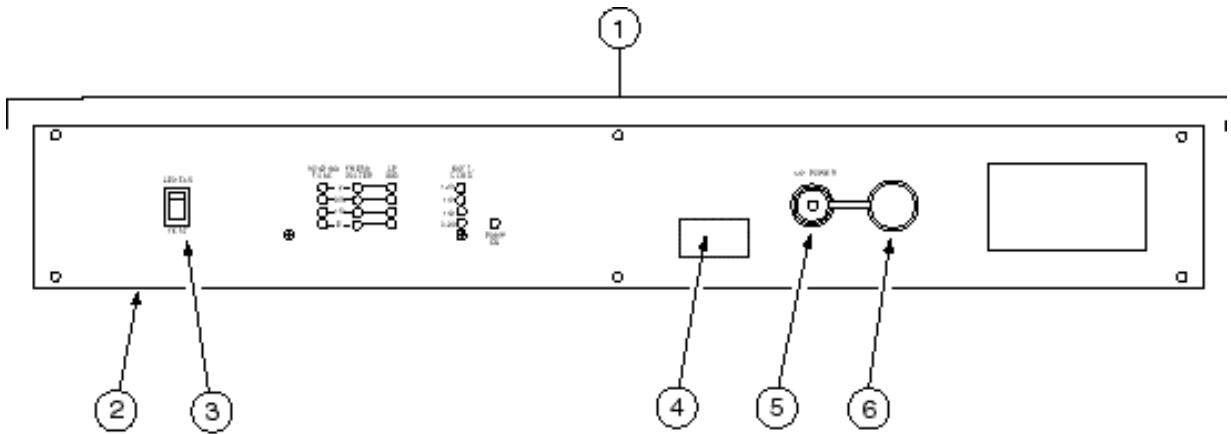
| VENDOR NO |
|------------|
| CD212 |
| L0108-00 |
| L0112-00 |
| 5070-06SPC |
| L7306 |

**MONITOR PANEL
VENTLINE LA1023-00**



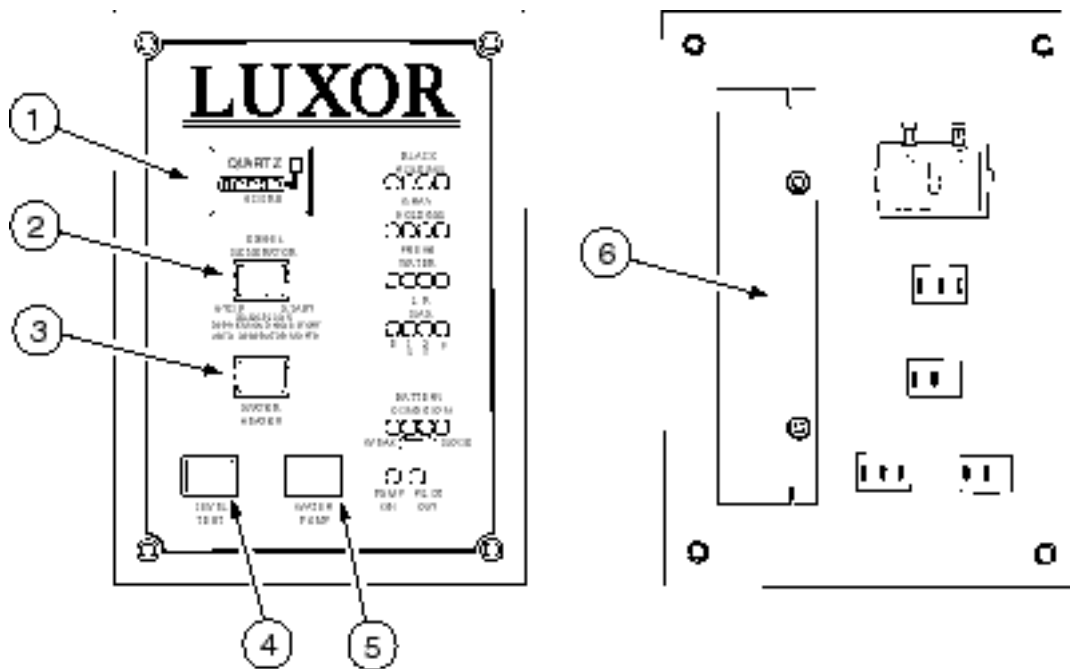
| KEY | PART NUMBER | U/M | DESCRIPTION | VENDOR NO |
|-----|---------------|-----|---------------------------------|------------|
| 1 | 114014-02-02A | EA | PANEL - MONITOR 2 TANK W/REMOTE | |
| 2 | 114014-01-700 | EA | OVERLAY-SILKSCREEN | CD212 |
| 3 | 096983-01-700 | EA | SWITCH - ON/OFF | L0108-00 |
| 4 | 096983-01-702 | EA | SWITCH - MOM/OFF/MOM/3 TERM | L0112-00 |
| 5 | 114014-01-701 | EA | BOARD-CIRCUIT | 5070-06SPC |
| | 113566-01-701 | EA | RESISTOR-TANK HARNESS | L7306 |

**VENTLINE
MODEL LA1032-00**



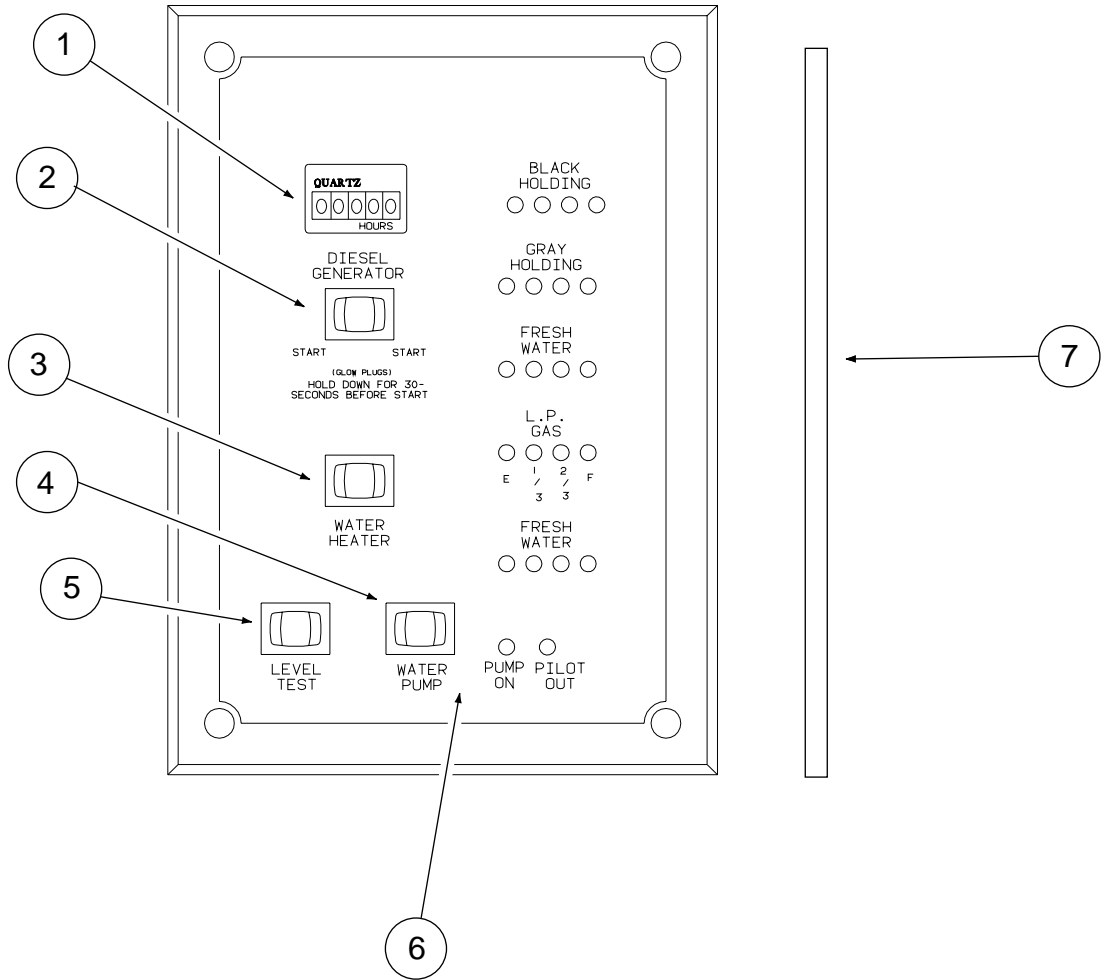
| KEY | PART NUMBER | U/M | DESCRIPTION | VENDOR NO. |
|-----|---------------|-----|-----------------------------|--------------------|
| 1 | 113566-03-01A | EA | PANEL - MONITOR - 1 TANK | VENTLINE LA1032-00 |
| 2 | 113566-03-703 | EA | SILKSCREENED CHASSIS | CD0438-00 |
| 3 | 113566-01-707 | EA | SWITCH - OFF/MOM | L0111-00 |
| 4 | 113566-03-702 | EA | LABEL | L0451-00 |
| 5 | 113566-03-705 | EA | RECEPTACLE - 12V | L0444-01 |
| 6 | 113566-03-704 | EA | CAP - RUBBER 12V RECEPTACLE | L0444-02 |
| | 113566-03-700 | EA | HARNESS | L7702-00 |
| | 113566-03-701 | EA | PC BOARD | L5099-122 |

**MONITOR PANEL
PHILLIPS - 2 TANK PUMP**



| KEY | PART NUMBER | U/M | DESCRIPTION | VENDOR NO. |
|-----|---------------|-----|---------------------------------|------------|
| | 121148-03-01A | EA | PANEL - MONITOR - 2 TANK PUMP | |
| 1 | 100258-10-701 | EA | GAUGE - HOUR METER - CLIP ON | L0775-00 |
| 2 | 096983-01-702 | EA | SWITCH - MOM/OFF/MOM/3 TERMINAL | L0112-00 |
| 3 | 096983-01-700 | EA | SWITCH - ON/OFF | L0108-00 |
| 4 | 096983-01-701 | EA | SWITCH - SPST/MOM - 2 TERMINAL | L0111-00 |
| 5 | 096983-01-703 | EA | SWITCH - ON/ON | L0115-00 |
| 6 | 121148-02-700 | EA | BOARD - CIRCUIT | L5099-20 |

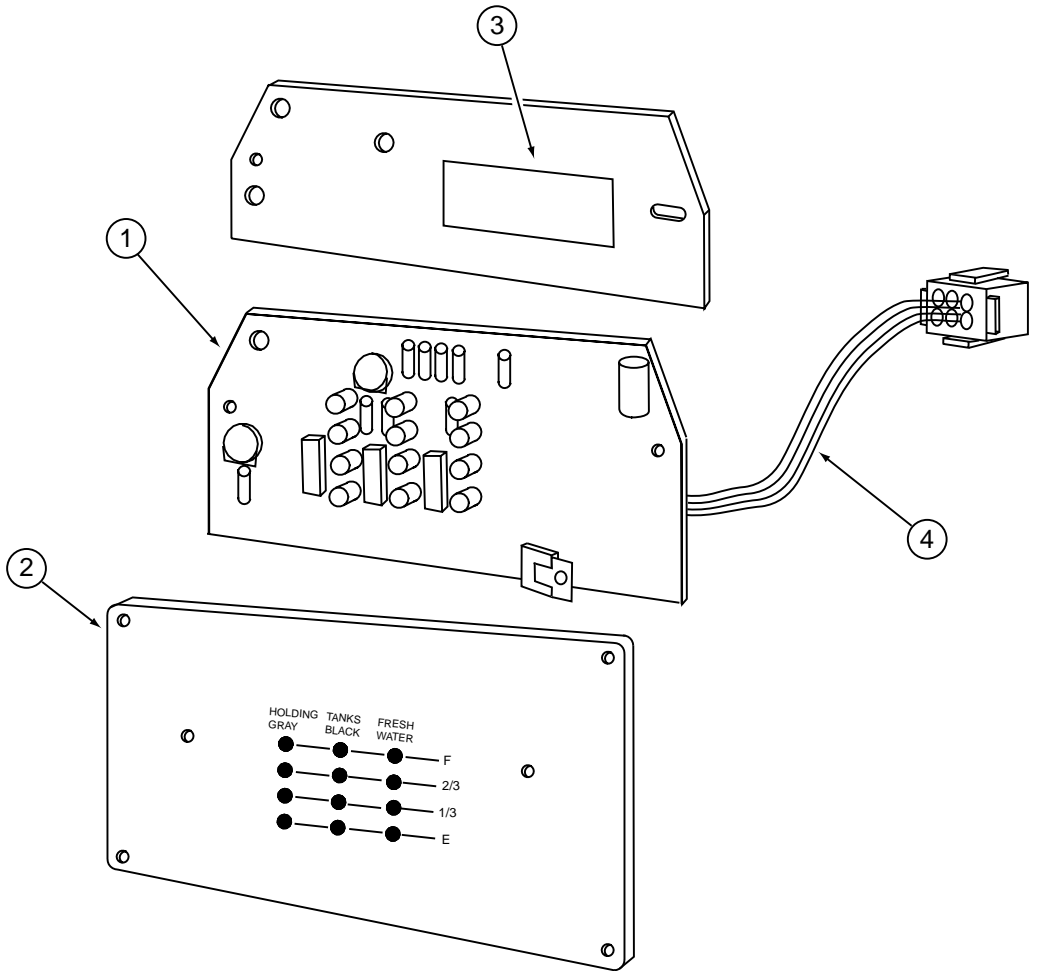
RANGE HOOD & MONITOR PANELS



| KEY | PART NUMBER | U/M | DESCRIPTION | VENDOR NO. |
|-----|---------------|-----|------------------------------|------------|
| | 121148-04-01A | EA | PANEL - MONITOR - 2 TANK LOW | |
| 1 | 100258-10-701 | EA | GAUGE-HOUR METER-CLIP ON LCD | L0775-00 |
| 2 | 096983-01-702 | EA | SWITCH - MOM/OFF/MOM/3 TERM | L0112-00 |
| 3 | 096983-01-700 | EA | SWITCH - ON/OFF | L0108-00 |
| 4 | 096983-01-701 | EA | SWITCH - SPST/MOM 2 TERMINAL | L0111-00 |
| 5 | 096983-01-703 | EA | SWITCH - ON/ON | L0115-00 |
| 6 | 113566-03-702 | EA | LABEL | L0451-00 |
| 7 | 121148-02-700 | EA | BOARD - CIRCUIT | L5099-20 |

VENTLINE

#LA1029-00



| KEY | PART NUMBER | U/M | DESCRIPTION | VENDOR NO. |
|-----|---------------|-----|--|------------|
| | 129561-01-01A | EA | PANEL/MONITOR - READ OUT ONLY - HOLDING/WATER TANK | |
| 1 | 129561-01-700 | EA | PC BOARD | L5097-09 |
| 2 | 129561-01-701 | EA | CHASSIS SCREENED | C00399 |
| 3 | 129561-01-702 | EA | LABEL | L0451-00 |
| 4 | 129561-01-703 | EA | HARNESS | L7694-00 |