

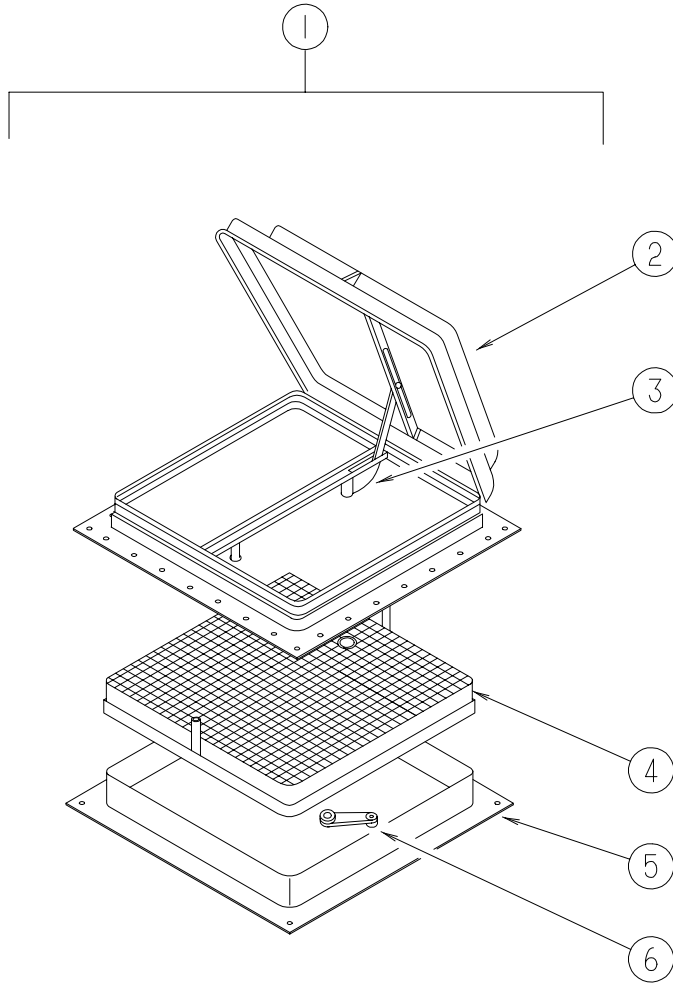
**FANTASTIC VENT
1000B - US**

KEY	PART NUMBER	U/M	DESCRIPTION	VENDOR NO.
	084079-01-000	EA	VENT - CEILING - EXHAUST - POWER - 1000B	
	084079-01-700	EA	COVER - VENT W/HINGE & SLIDE	1020K-19
	009440-01-000	EA	GEAR - ARM - ROOF VENT	705221K38
	084079-01-705	EA	MOTOR - ROOF VENT	1080-00
	084079-01-704	EA	BLADE - FAN	1070-00
	084079-11-700	EA	MOTOR - BRACKET - FAN BLADE KIT	4017K-09
	084079-01-711	EA	H-MOLDING - MOTOR MOUNT	
	084079-01-712	EA	GARNISH - INTERIOR - 1 7/8" - OFF WHITE	1040-80
	084079-01-703	EA	KNOB - LIFT - W/EXTENSION & SCREW	1140K-00
	084079-01-707	EA	SWITCH - SAFETY	1122.05
	084079-01-709	EA	SWITCH - MAIN - 3 SPEED	1031.05
	084079-03-700	EA	SCREEN ASSEMBLY - THIN ROOF - W/SWITCH	1030S-80

**FANTASTIC VENT
1000B - CANADIAN**

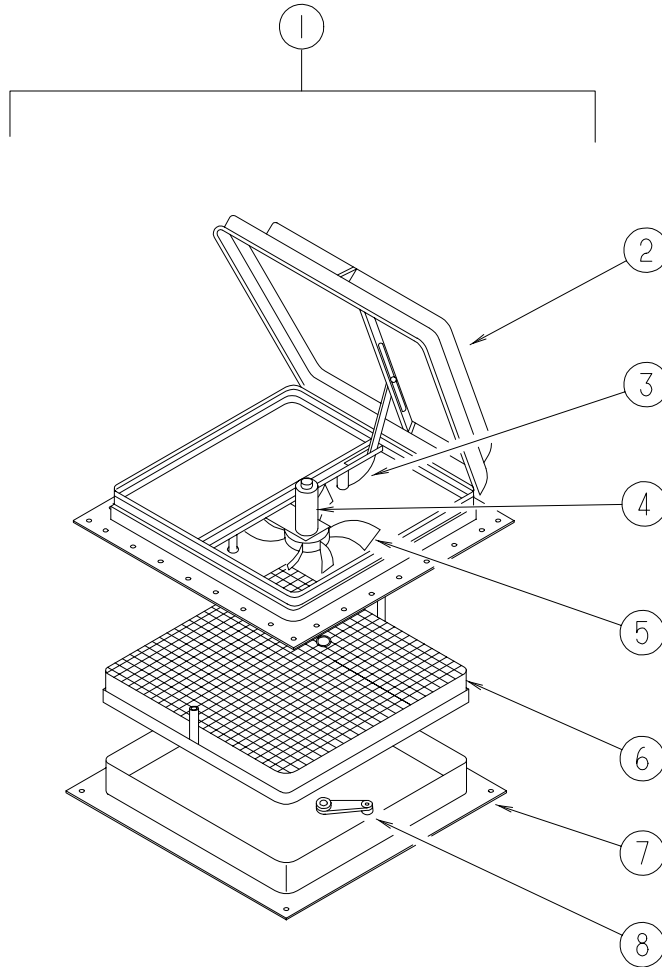
KEY	PART NUMBER	U/M	DESCRIPTION	VENDOR NO.
	084079-08-000	EA	VENT - CEILING - EXHAUST - POWER - OFF WHITE	
	084079-01-700	EA	COVER - VENT W/HINGE & SLIDE	1020K-19
	084079-08-710	EA	MOTOR - ROOF VENT	101703
	084079-01-704	EA	BLADE - FAN	1070-00
	084079-01-711	EA	H-MOLDING - MOTOR MOUNT	
	084079-01-712	EA	GARNISH - INTERIOR - 1 7/8" - OFF WHITE	1040-80
	084079-01-703	EA	KNOB - LIFT - W/EXTENSION & SCREW	1140K-00
	084079-01-707	EA	SWITCH - SAFETY	1122.05
	084079-01-709	EA	SWITCH - MAIN - 3 SPEED	1031.05
	084079-03-700	EA	SCREEN ASSEMBLY - THIN ROOF - W/SWITCH	1030S-80

ELIXIR



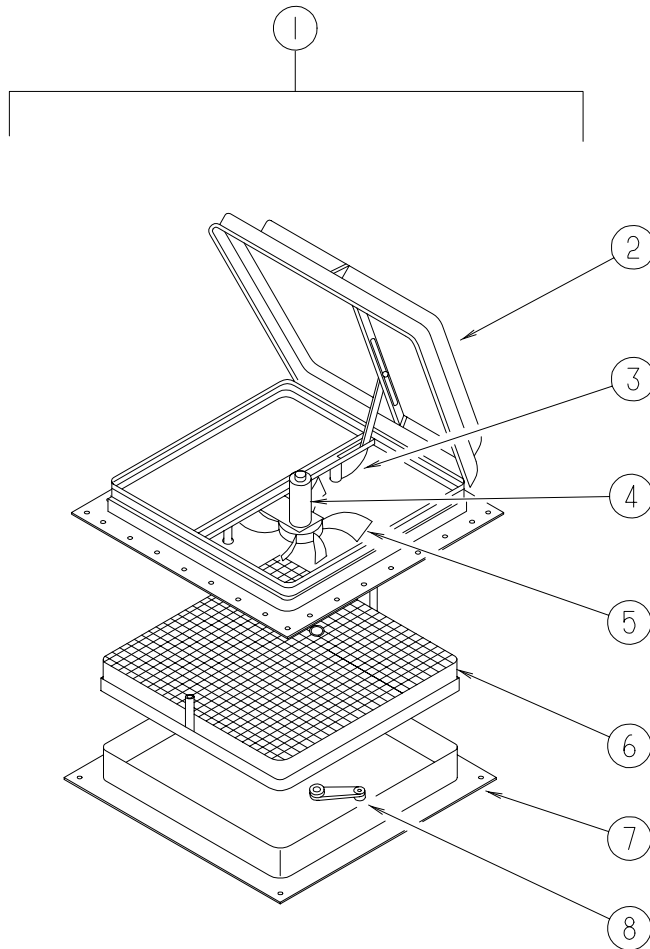
KEY	PART NUMBER	U/M	DESCRIPTION	VENDOR NO.
1	122882-01-01A	EA	VENT - ROOF - NONPOWERED - W/O INSIDE GARNISH	
2	064470-01-700	EA	COVER - VENT - W/O SLIDE BAR	J7291B
3	009440-01-000	EA	GEAR/ARM - LIFT - ROOF VENT COVER	
4	122882-01-701	EA	SCREEN	JRP-1124-B
5	122882-06-01A	EA	GARNISH - ROOF VENT - 1" TO 2.56"	
5	122882-07-01A	EA	GARNISH - ROOF VENT - 2.50" TO 4.12"	
6	122882-01-700	EA	HANDLE - CRANK - BLACK	90128
	064470-01-701	EA	SLIDE BAR - VENT LID	JRP1291B

ELIXIR



KEY	PART NUMBER	U/M	DESCRIPTION	VENDOR NO.
1	122882-02-01A	EA	VENT - ROOF - W/FAN - POWERED - W/O INSIDE GARNISH	
2	064470-01-700	EA	COVER - VENT - W/O SLIDE BAR	J7291B
3	009440-01-000	EA	GEAR/ARM - LIFT - ROOF VENT COVER	
4	048648-01-000	EA	MOTOR - ROOF VENT - 1/8 SHAFT - 12VOLT	
5	048649-01-000	EA	FAN - ROOF VENT - 6 BLADES - 6"	
6	122882-01-701	EA	SCREEN	JRP-1124-B
7	122882-06-01A	EA	GARNISH - ROOF VENT - 1" TO 2.56"	
7	122882-07-01A	EA	GARNISH - ROOF VENT - 2.50" TO 4.12"	
8	122882-01-700	EA	HANDLE - CRANK - BLACK	90128
	064470-01-701	EA	SLIDE BAR - VENT LID	JRP1291B
	110051-03-700	EA	SWITCH - BLACK/PUSH BUTTON	27-0164

ELIXIR



KEY	PART NUMBER	U/M	DESCRIPTION	VENDOR NO.
1	122882-03-01A	EA	VENT - ROOF - W/FAN - POWERED - W/O INSIDE GARNISH	
2	064470-01-700	EA	COVER - VENT - W/O SLIDE BAR	J7291B
3	009440-01-000	EA	GEAR/ARM - LIFT - ROOF VENT COVER	
4	048648-01-000	EA	MOTOR - ROOF VENT - 1/8 SHAFT - 12VOLT	
5	048649-01-000	EA	FAN - ROOF VENT - 6 BLADES - 6"	
6	122882-01-701	EA	SCREEN	JRP-1124-B
7	122882-06-01A	EA	GARNISH - ROOF VENT - 1" TO 2.56"	
7	122882-07-01A	EA	GARNISH - ROOF VENT - 2.50" TO 4.12"	
8	122882-01-700	EA	HANDLE - CRANK - BLACK	90128
	064470-01-701	EA	SLIDE BAR - VENT LID	JRP1291B
	110051-03-700	EA	SWITCH - BLACK/PUSH BUTTON	27-0164

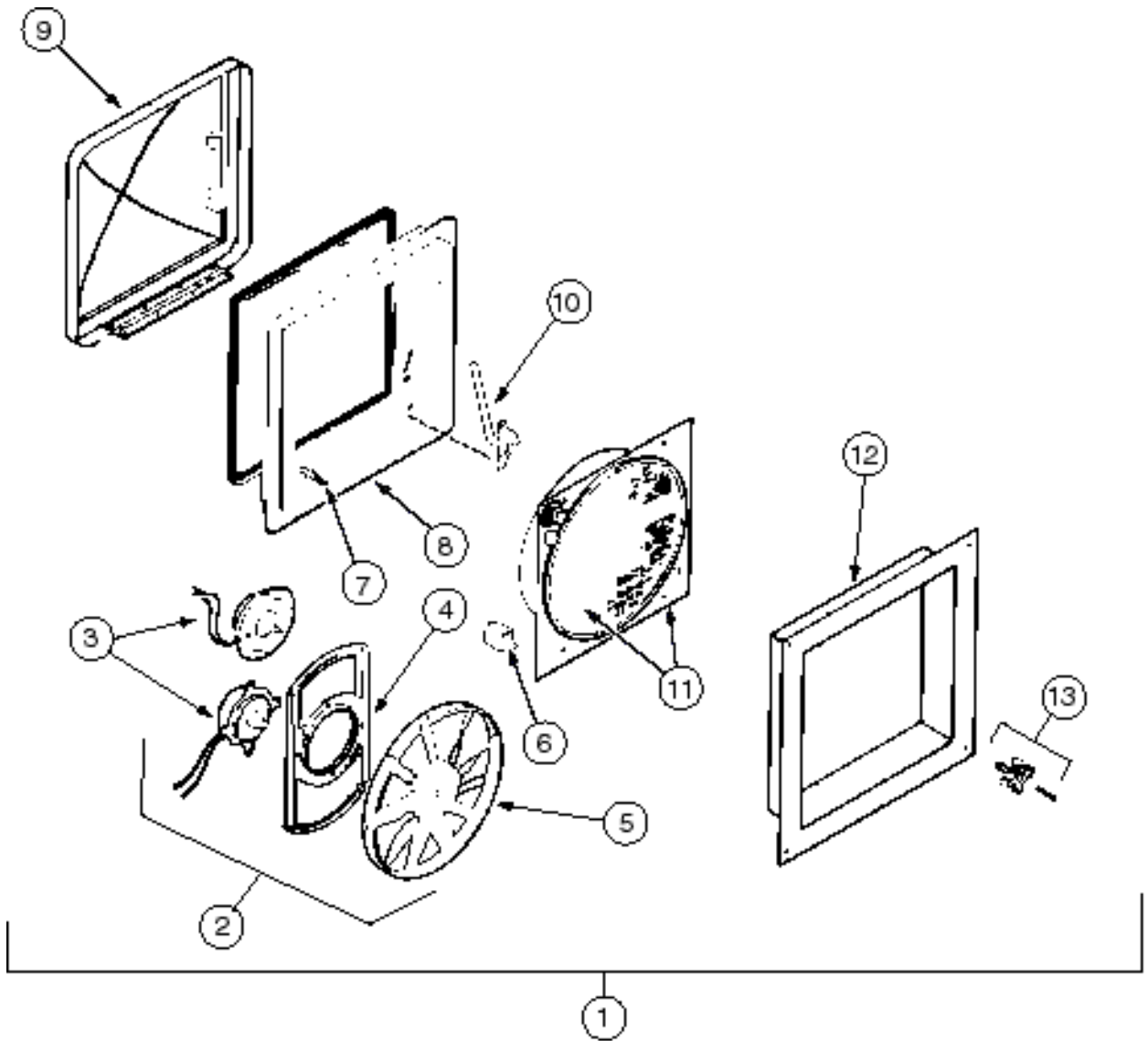
**ELIXIR
MODEL V971232 WHT**

KEY	PART NUMBER	U/M	DESCRIPTION	VENDOR NO.
	122882-04-01A	EA	VENT - ROOF - W/FAN/POWER LIFT - W/O INSIDE GARNISH - UL	V971232 WHT
	048648-01-000	EA	MOTOR-12V NONVENTED 1/8 SFT	
	048649-01-000	EA	FAN-PLAS-6 IN 6 BLADED	
	064469-03-708	EA	GEAR-DRIVE	RP-1024
	064469-03-709	EA	GEAR-PINION F-1/8" SHAFT	RP-1025
	064470-01-700	EA	COVER - VENT - W/O SLIDE BAR	J7291
	064470-01-701	EA	SLIDE BAR - VENT LID	JRP1291B
	110051-07-701	EA	MOTOR-LIFT, W/BRKT-GEAR 3/16	RP1099B
	122882-04-700	EA	SCREEN	J29-670-01A

**ELIXIR
MODEL V971235 WHT**

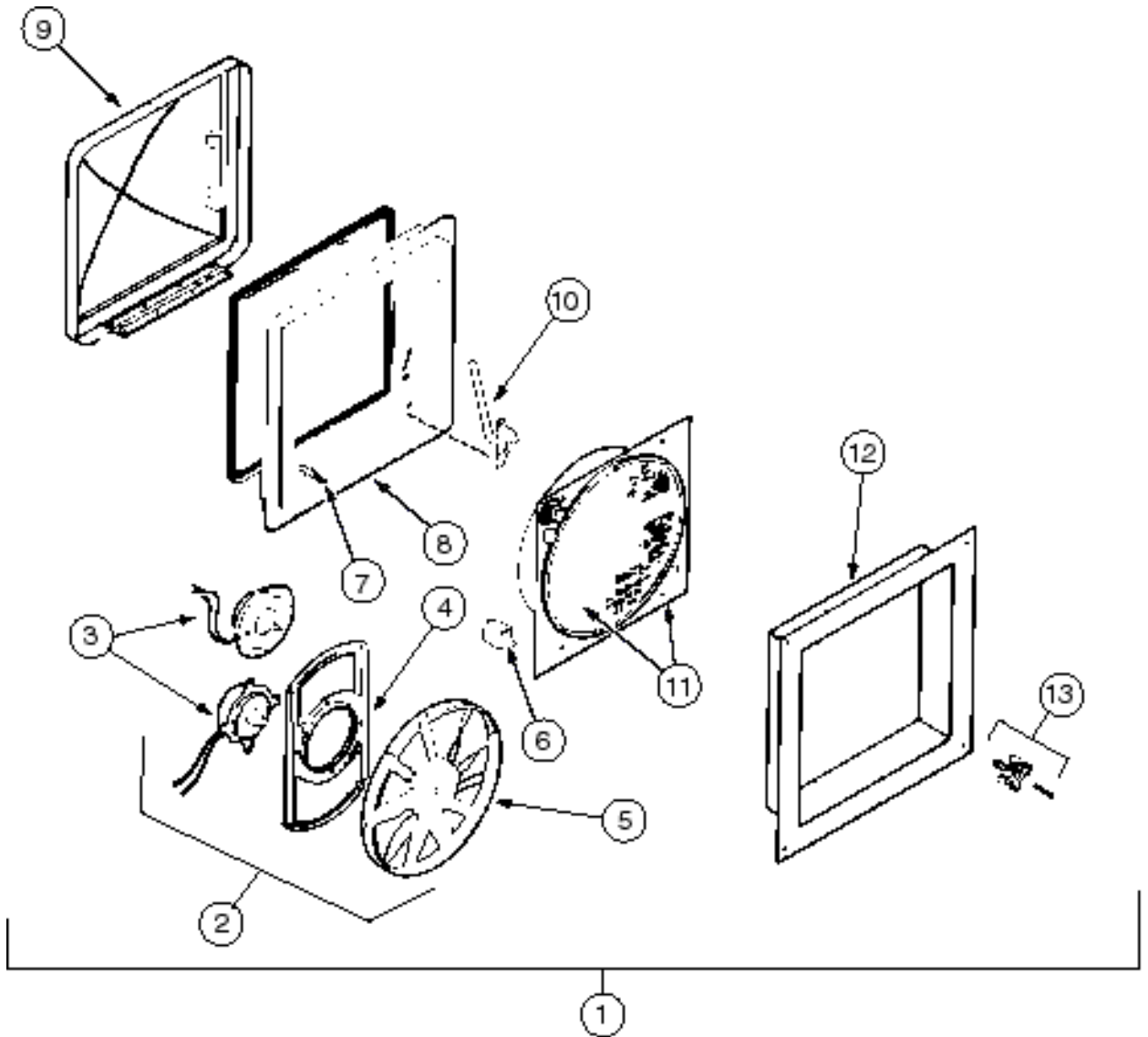
KEY	PART NUMBER	U/M	DESCRIPTION	VENDOR NO.
	122882-05-01A	EA	VENT - ROOF - W/FAN/POWER LIFT - W/O INSIDE GARNISH - CSA	V971235 WHT
	048648-01-000	EA	MOTOR-12V NONVENTED 1/8 SFT	
	048649-01-000	EA	FAN-PLAS-6 IN 6 BLADED	
	064469-03-708	EA	GEAR-DRIVE	RP-1024
	064469-03-709	EA	GEAR-PINION F-1/8" SHAFT	RP-1025
	064470-01-700	EA	COVER - VENT - W/O SLIDE BAR	J7291
	064470-01-701	EA	SLIDE BAR - VENT LID	JRP1291B
	110051-07-701	EA	MOTOR-LIFT, W/BRKT-GEAR 3/16	RP1099B
	122882-04-700	EA	SCREEN	J29-670-01A

FANTASTIC
MODEL 4000-1-WDW



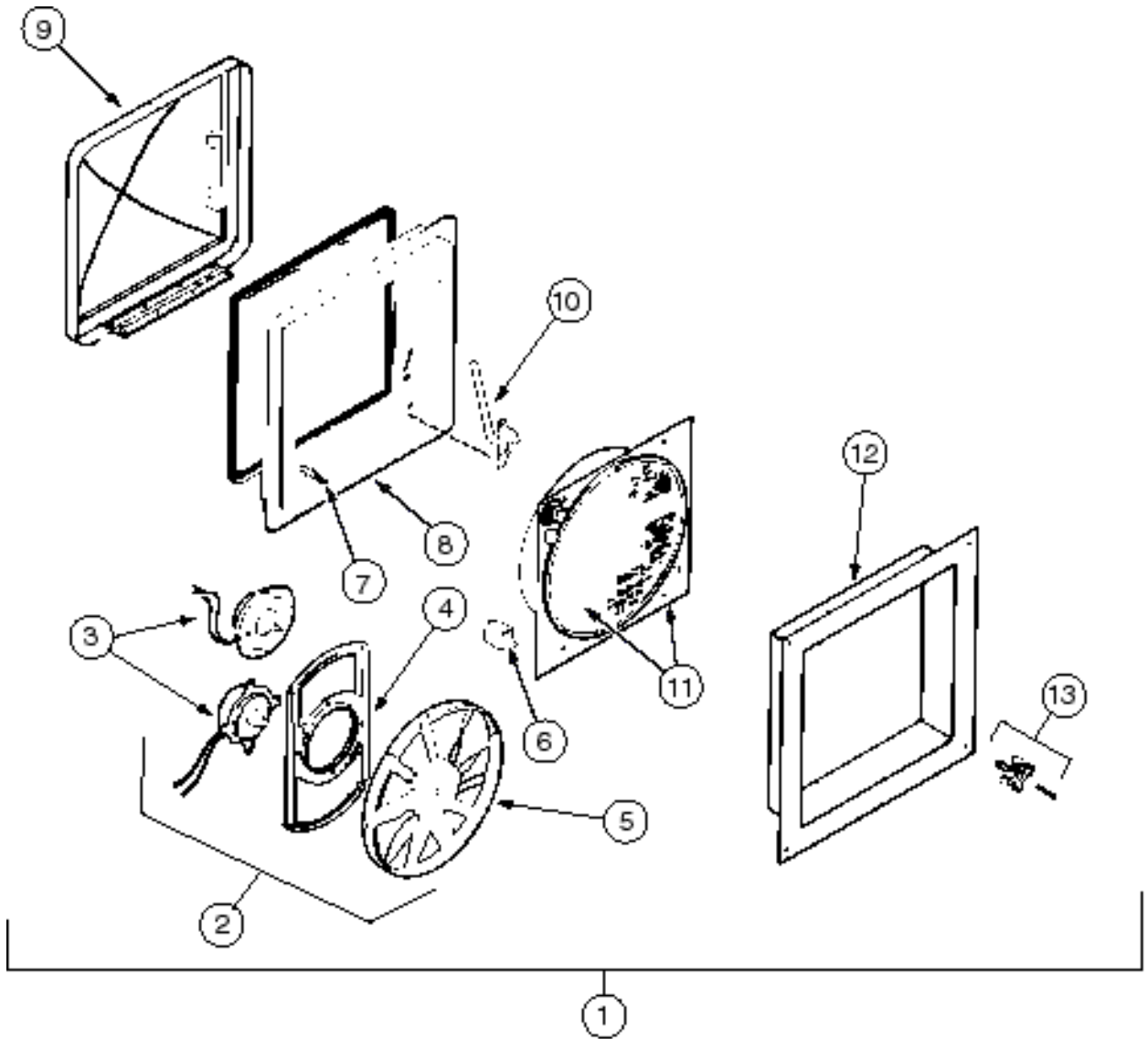
KEY	PART NUMBER	U/M	DESCRIPTION	VENDOR NO.
1	123780-01-01A	EA	VENT - ROOF - 1" - W/FAN/POWER LIFT - W/O THERMOSTAT 4000-1-WDW	
2	084079-11-700	EA	MOTOR, BRKT., FAN BLADE, KIT	4017K-09
3	084079-01-705	EA	MOTOR	1080-00
4	084079-01-711	EA	H-MOLDING, MOTOR MOUNT	
5	084079-01-704	EA	BLADE-FAN	1070-00
6	084079-01-709	EA	SWITCH - MAIN - 3 SPEED	1031-05
7	084079-01-707	EA	SWITCH - SAFETY	1122.05
8	123780-05-700	EA	BASE - MAIN BRIGHT WHITE	1010K-81
9	123780-01-700	EA	COVER - VENT W/HINGE & SLIDE	1020K-81
10	084079-01-702	EA	ARM LIFT ASSEMBLY, MANUAL	101105
11	123780-01-702	EA	SCREEN W/FRAME	103581
12	123780-03-700	EA	GARNISH - INT. 3"-4" BRT/WHT	2040-81
12	123780-01-701	EA	GARNISH - INT 3/4-1" BRT/WHT	0040-81
13	084079-01-703	EA	KNOB-LIFT, W/EXT. & SCREW	1140K-00
	009440-01-000	EA	GEAR-ARM-ROOF VENT 705221K38	
	084079-01-706	EA	PLUG, 12 VOLT	1090

FANTASTIC
MODEL 4000-2-WDW



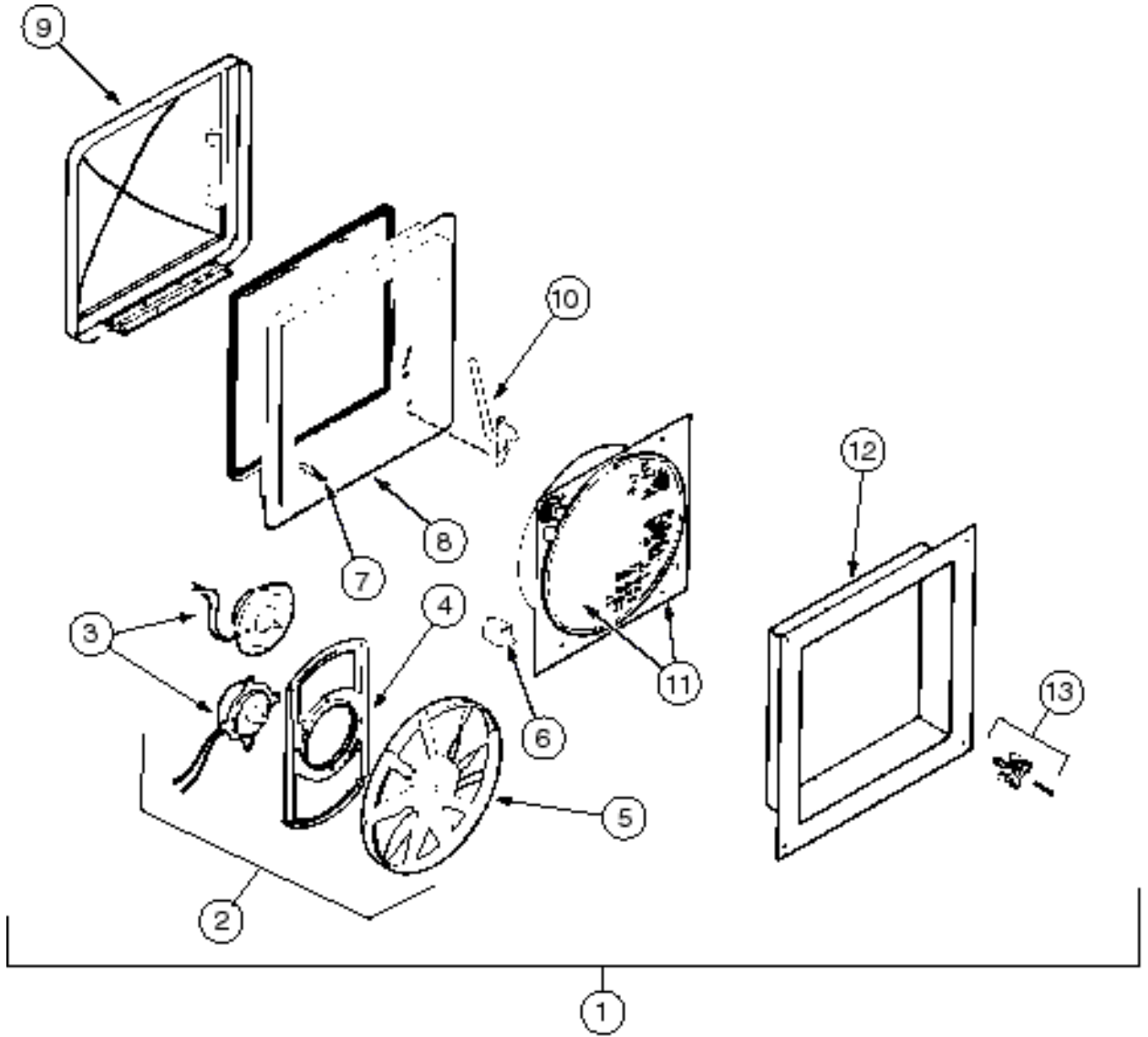
KEY	PART NUMBER	U/M	DESCRIPTION	VENDOR NO.
1	123780-02-01A	EA	VENT - ROOF - 1" - W/FAN/POWER LIFT - W/O THERMOSTAT 4000-2-WDW	
2	084079-11-700	EA	MOTOR, BRKT., FAN BLADE, KIT	4017K-09
3	084079-01-705	EA	MOTOR	1080-00
4	084079-01-711	EA	H-MOLDING, MOTOR MOUNT	
5	084079-01-704	EA	BLADE-FAN	1070-00
6	084079-01-709	EA	SWITCH - MAIN - 3 SPEED	1031-05
7	084079-01-707	EA	SWITCH - SAFETY	1122.05
8	123780-05-700	EA	BASE - MAIN BRIGHT WHITE	1010K-81
9	123780-01-700	EA	COVER - VENT W/HINGE & SLIDE	1020K-81
10	084079-01-702	EA	ARM LIFT ASSEMBLY, MANUAL	101105
11	123780-01-702	EA	SCREEN W/FRAME	103581
12	123780-03-700	EA	GARNISH - INT. 3"-4" BRT/WHT	2040-81
12	123780-01-701	EA	GARNISH - INT 3/4-1" BRT/WHT	0040-81
13	084079-01-703	EA	KNOB-LIFT, W/EXT. & SCREW	1140K-00
	009440-01-000	EA	GEAR-ARM-ROOF VENT 705221K38	
	084079-01-706	EA	PLUG, 12 VOLT	1090

FANTASTIC
MODEL 4000-3-WDW



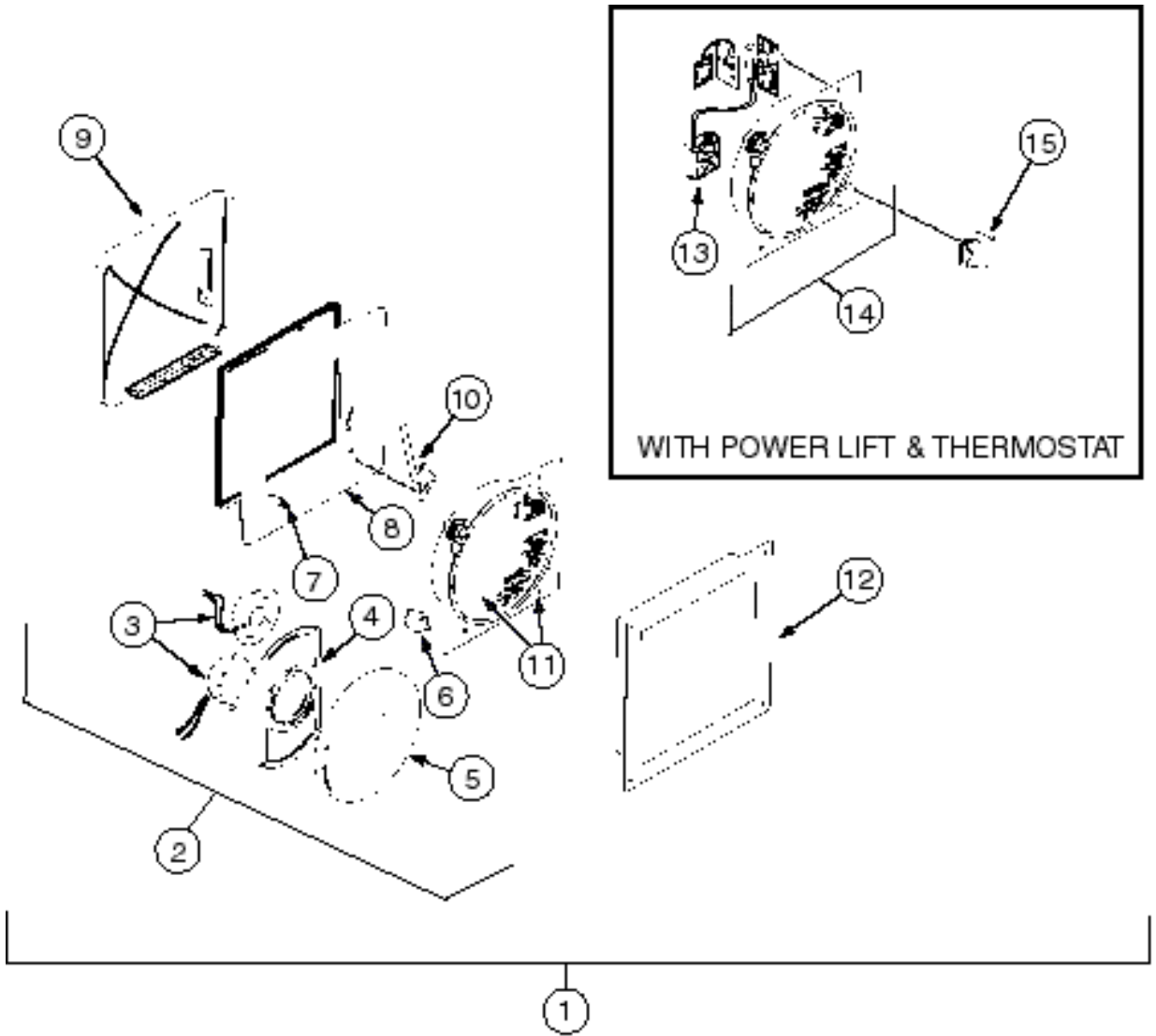
KEY	PART NUMBER	U/M	DESCRIPTION		VENDOR NO.
1	123780-03-01A	EA	VENT - EXHAUST - F/3" TO 4" ROOF - CSA	4000-3-WDW	
2	084079-11-700	EA	MOTOR, BRKT., FAN BLADE, KIT		4017K-09
3	084079-01-705	EA	MOTOR		1080-00
4	084079-01-711	EA	H-MOLDING, MOTOR MOUNT		
5	084079-01-704	EA	BLADE-FAN		1070-00
6	084079-01-709	EA	SWITCH - MAIN - 3 SPEED		1031-05
7	084079-01-707	EA	SWITCH - SAFETY		1122.05
8	123780-05-700	EA	BASE - MAIN BRIGHT WHITE		1010K-81
9	123780-01-700	EA	COVER - VENT W/HINGE & SLIDE		1020K-81
10	084079-01-702	EA	ARM LIFT ASSEMBLY, MANUAL		101105
11	123780-01-702	EA	SCREEN W/FRAME		103581
12	123780-03-700	EA	GARNISH - INT. 3"-4" BRT/WHT		2040-81
12	123780-01-701	EA	GARNISH - INT 3/4-1" BRT/WHT		0040-81
13	084079-01-703	EA	KNOB-LIFT, W/EXT. & SCREW		1140K-00
	009440-01-000	EA	GEAR-ARM-ROOF VENT 705221K38		
	084079-01-706	EA	PLUG, 12 VOLT		1090

FANTASTIC
MODEL 4000-3-WDW-CSA



KEY	PART NUMBER	U/M	DESCRIPTION	VENDOR NO.
1	123780-04-01A	EA	VENT - EXHAUST - F/3" TO 4" ROOF - CSA	4000-3-WDW-CSA
2	084079-11-700	EA	MOTOR, BRKT., FAN BLADE, KIT	4017K-09
3	084079-01-705	EA	MOTOR	1080-00
4	084079-01-711	EA	H-MOLDING, MOTOR MOUNT	
5	084079-01-704	EA	BLADE-FAN	1070-00
6	084079-01-709	EA	SWITCH - MAIN - 3 SPEED	1031-05
7	084079-01-707	EA	SWITCH - SAFETY	1122.05
8	123780-05-700	EA	BASE - MAIN BRIGHT WHITE	1010K-81
9	123780-01-700	EA	COVER - VENT W/HINGE & SLIDE	1020K-81
10	084079-01-702	EA	ARM LIFT ASSEMBLY, MANUAL	101105
11	123780-01-702	EA	SCREEN W/FRAME	103581
12	123780-03-700	EA	GARNISH - INT. 3"-4" BRT/WHT	2040-81
12	123780-01-701	EA	GARNISH - INT 3/4-1" BRT/WHT	0040-81
13	084079-01-703	EA	KNOB-LIFT, W/EXT. & SCREW	1140K-00
	009440-01-000	EA	GEAR-ARM-ROOF VENT 705221K38	
	084079-01-706	EA	PLUG, 12 VOLT	1090

FANTASTIC
MODEL 2000T-3-WDW



KEY	PART NUMBER	U/M DESCRIPTION	VENDOR NO.
1	123780-05-01A	EA VENT - ROOF - 3" TO 4" - W/FAN/POWER LIFT/THERMOSTAT 2000T-3-WDW	
2	084079-11-700	EA MOTOR, BRKT., FAN BLADE, KIT	4017K-09
3	084079-11-705	EA MOTOR - LIFT (BC MOTOR)	5050-40
4	084079-01-711	EA H-MOLDING, MOTOR MOUNT	
5	084079-01-704	EA BLADE-FAN	1070-00
6	084079-01-709	EA SWITCH - MAIN - 3 SPEED	1031-05
7	084079-01-707	EA SWITCH - SAFETY	1122.05
8	123780-05-700	EA BASE - MAIN BRIGHT WHITE	1010K-81
9	123780-01-700	EA COVER - VENT W/HINGE & SLIDE	1020K-81
10	084079-11-701	EA ARM-LIFT ASSEMBLY, AUTOMATIC	2011-05
11	123780-01-702	EA SCREEN W/FRAME	103581
12	123780-03-700	EA GARNISH - INT. 3"-4" BRT/WHT	2040-81
13	084079-01-710	EA THERMOSTAT, WALL MOUNT	9988-39
14	123780-05-701	EA SCREEN ASM., INT W/SWITCHES	2000TK-81
15	084079-11-703	EA MOTOR-LIFT (AUTOTROL) W/CAP	6050-05