



**DANGER**

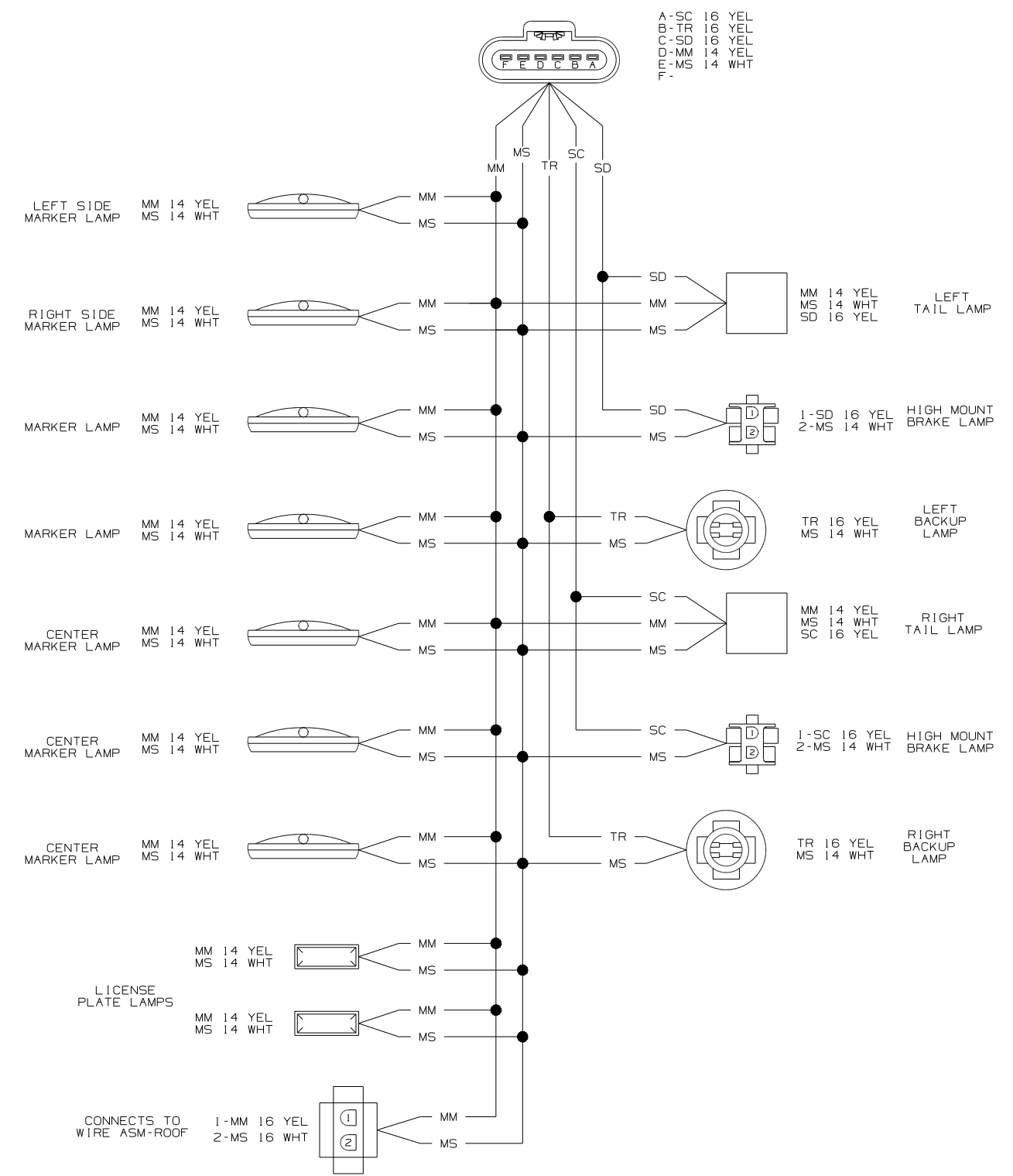
**Danger of electrical shock, burns or death.** Always remove all power sources before attempting any repair, service or diagnostic work. Power can be present from shore power, generator, inverter or battery. All power sources must be disabled and secured before performing any service.



**CAUTION**

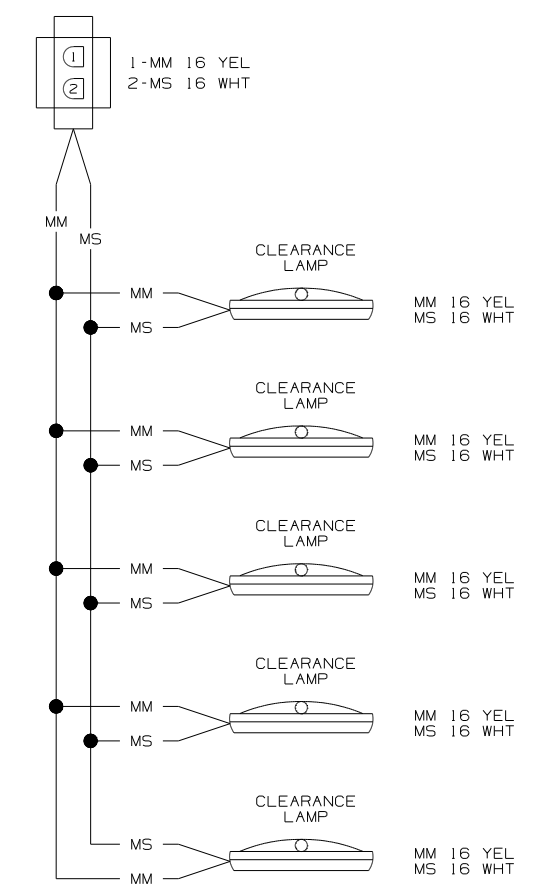
If you lack the skills, tools or equipment to perform diagnostic or repair work leave such work to an authorized Winnebago Industries dealer or other qualified shop.

CONNECTS TO WIRE ASM-CHASSIS



WIRING DIAGRAM-BACKWALL  
(WIRE ASM 156949 REV-E)

CONNECTS TO WIRE ASM- ROOF



WIRING DIAGRAM-CLEARANCE LAMPS  
(129943-02 REV-c)

<b>WINNEBAGO</b>		COPYRIGHT 2006 WINNEBAGO INDUSTRIES, INC.	
DFT-016	ORIG. DATE	ALL DIMENSIONS ARE IN MILLIMETERS	
CHKR		FIRST USED	
P.E.		07 700 SERIES	
M.E.		UNSPECIFIED TOLERANCES ARE:	
DSNR		MATERIAL:	
		WHOLE DIM (X) :	*
		ONE-PLACE (X.X) :	*
		TWO-PLACE (X.XX) :	*
		ANGLE :	*
		THIRD ANGLE PROJECTION	*
DO NOT SCALE DRAWING			
TITLE: WIRING DIAGRAM-AUTO LAMPS			
SHEET 1 OF 1	PART NO	156367	
REF:	1 5/24/2007		