

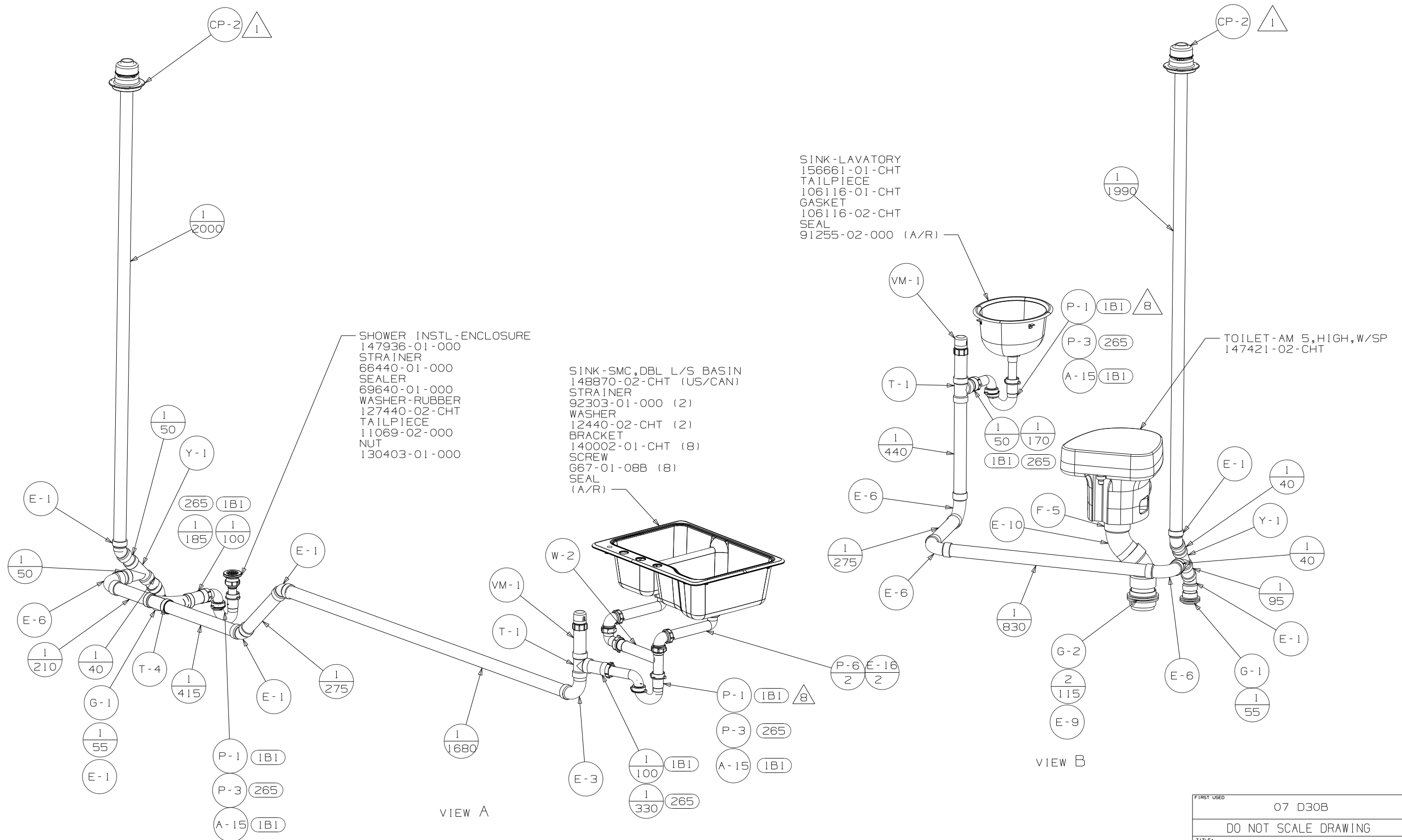
FRONT OF COACH

- NOTES:
- 1 VENT PIPE MUST PROJECT 51 MIN AND 64 MAX ABOVE ROOF FOR PROPER FIT.
  - 2 SLOPE OF HORIZONTAL PIPING TO BE 6 PER 305 mm.
  - 3 SLOPE OF TRAP ARM MUST BE 6 PER 305 mm.
  - 4 ALL PIPE AND FITTING TO BE ASSEMBLED WITH SOLVENT 4020-01-000 (US), 4020-02-000 (CAN).
  - 5 ALL EXTERIOR OPENINGS AROUND PIPE TO BE SEALED WITH 110744-01-000.
  - 6 SEAL AROUND SHOWER WITH SILICONE.
  - 7 VALVE TERMINATION TEE TO BE POSITIONED AT 10° DOWN AND OUTBOARD.
  - 8 TRIM P-TRAP EXTENSION TO FIT.

(265) CODES/STDS-CSA/CMVSS  
 (1B1) CODES/STANDARDS-USA

<b>WINNEBAGO</b>		COPYRIGHT 2007 WINNEBAGO INDUSTRIES, INC.	
D/FR	ORIG. DATE	ALL DIMENSIONS ARE IN MILLIMETERS	
CHKR		FIRST USED	
P.E.		07 D30B	
M.E.		UNSPECIFIED TOLERANCES ARE:	
DSNR		WHOLE DIM (X)	: 3
		ONE-PLACE (X.X)	:
		TWO-PLACE (X.XX)	:
		ANGLE	:
		THIRD ANGLE PROJECTION	
DO NOT SCALE DRAWING			
TITLE: DRAINAGE SYSTEM INSTL			
SHEET 1 OF 3	PART NO	157337	REV

(X-X)  
 FOR DRAINAGE  
 CALLOUTS  
 SEE DWG NO  
 116229-01-000



SHOWER INSTL-ENCLOSURE  
 147936-01-000  
 STRAINER  
 66440-01-000  
 SEALER  
 69640-01-000  
 WASHER-RUBBER  
 127440-02-CHT  
 TAILPIECE  
 11069-02-000  
 NUT  
 130403-01-000

SINK-SMC, DBL L/S BASIN  
 148870-02-CHT (US/CAN)  
 STRAINER  
 92303-01-000 (2)  
 WASHER  
 12440-02-CHT (2)  
 BRACKET  
 140002-01-CHT (8)  
 SCREW  
 G67-01-08B (8)  
 SEAL  
 (A/R)

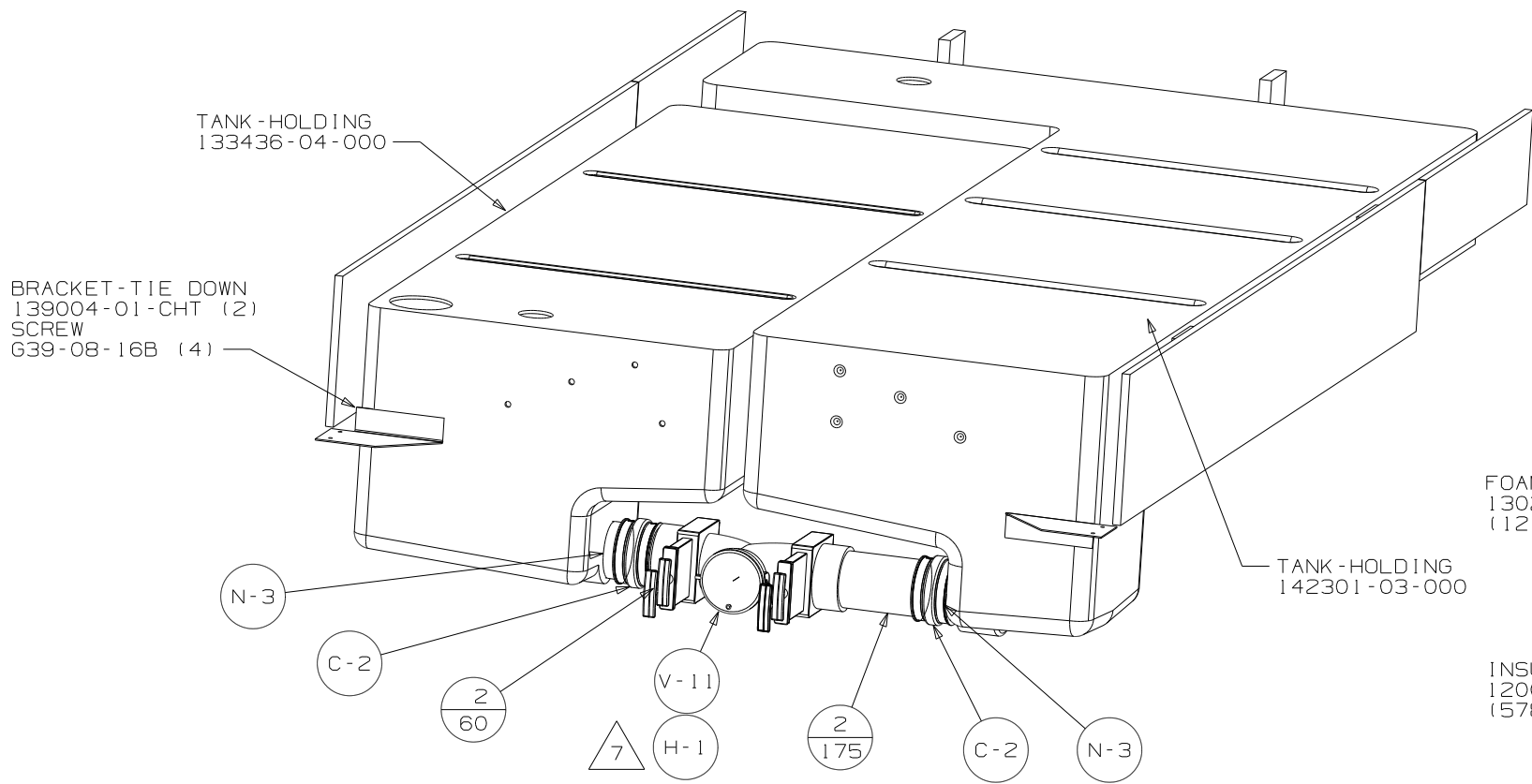
SINK-LAVATORY  
 156661-01-CHT  
 TAILPIECE  
 106116-01-CHT  
 GASKET  
 106116-02-CHT  
 SEAL  
 91255-02-000 (A/R)

TOILET-AM 5,HIGH,W/SP  
 147421-02-CHT

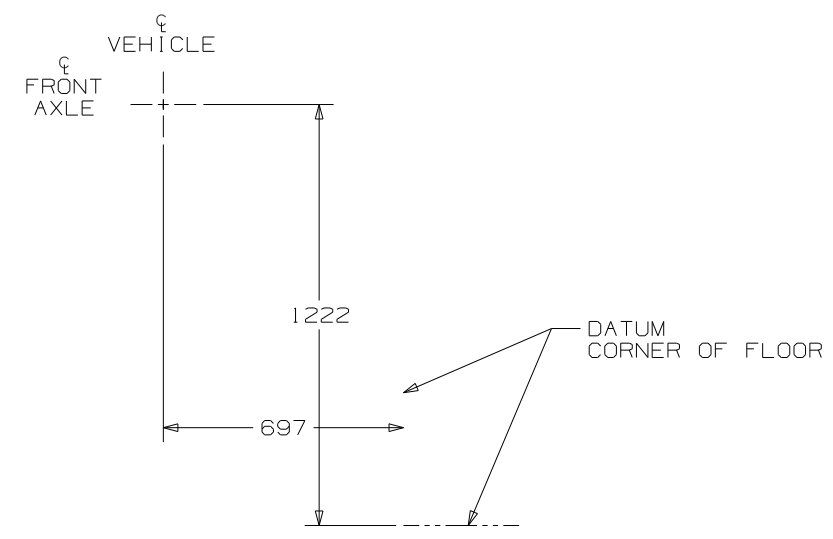
VIEW A

VIEW B

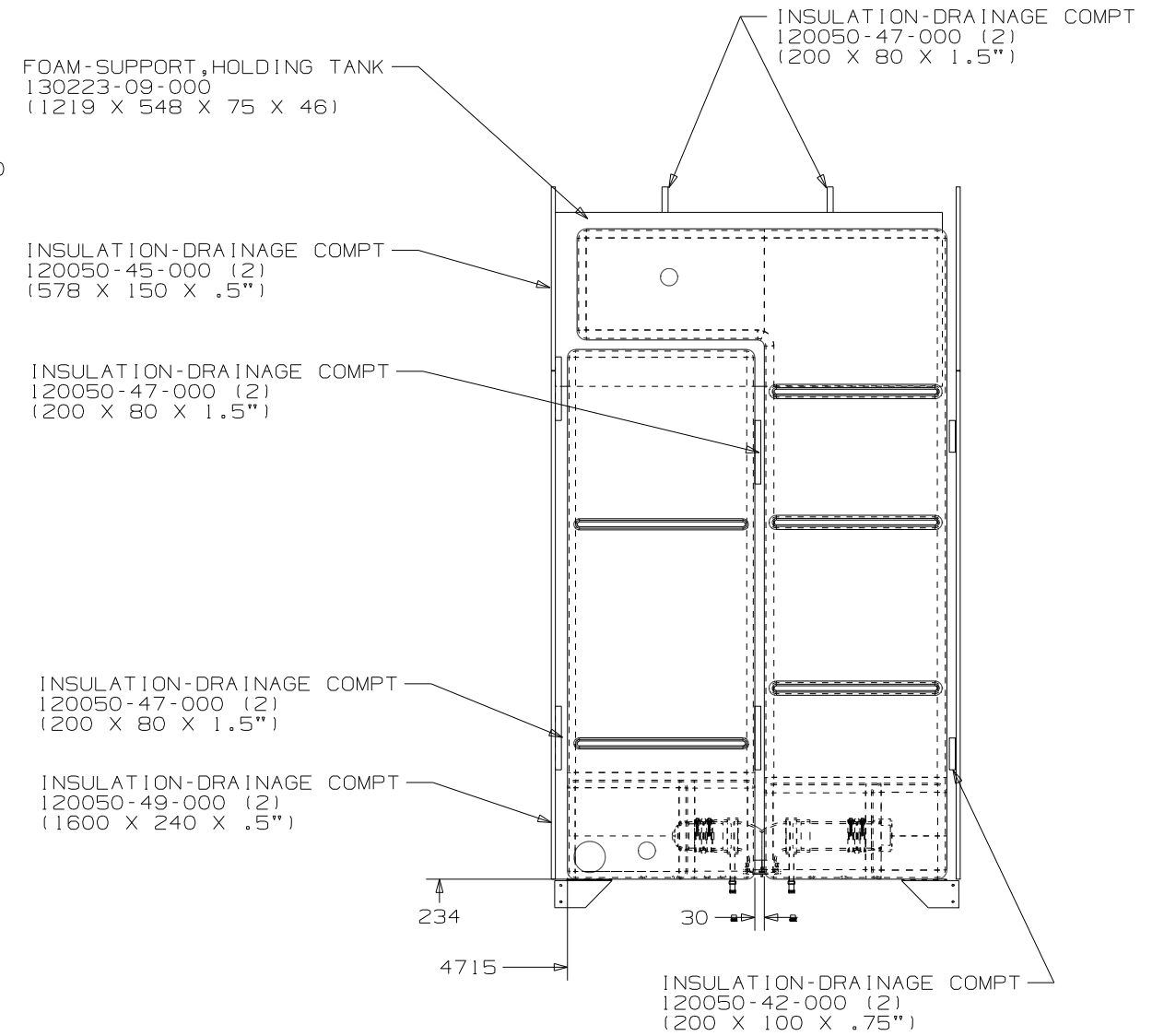
FIRST USED	07 D30B		
TITLE	DO NOT SCALE DRAWING		
	DRAINAGE SYSTEM INSTL		
SHEET 2	PART NO	157337	REV
			1 5/15/2007



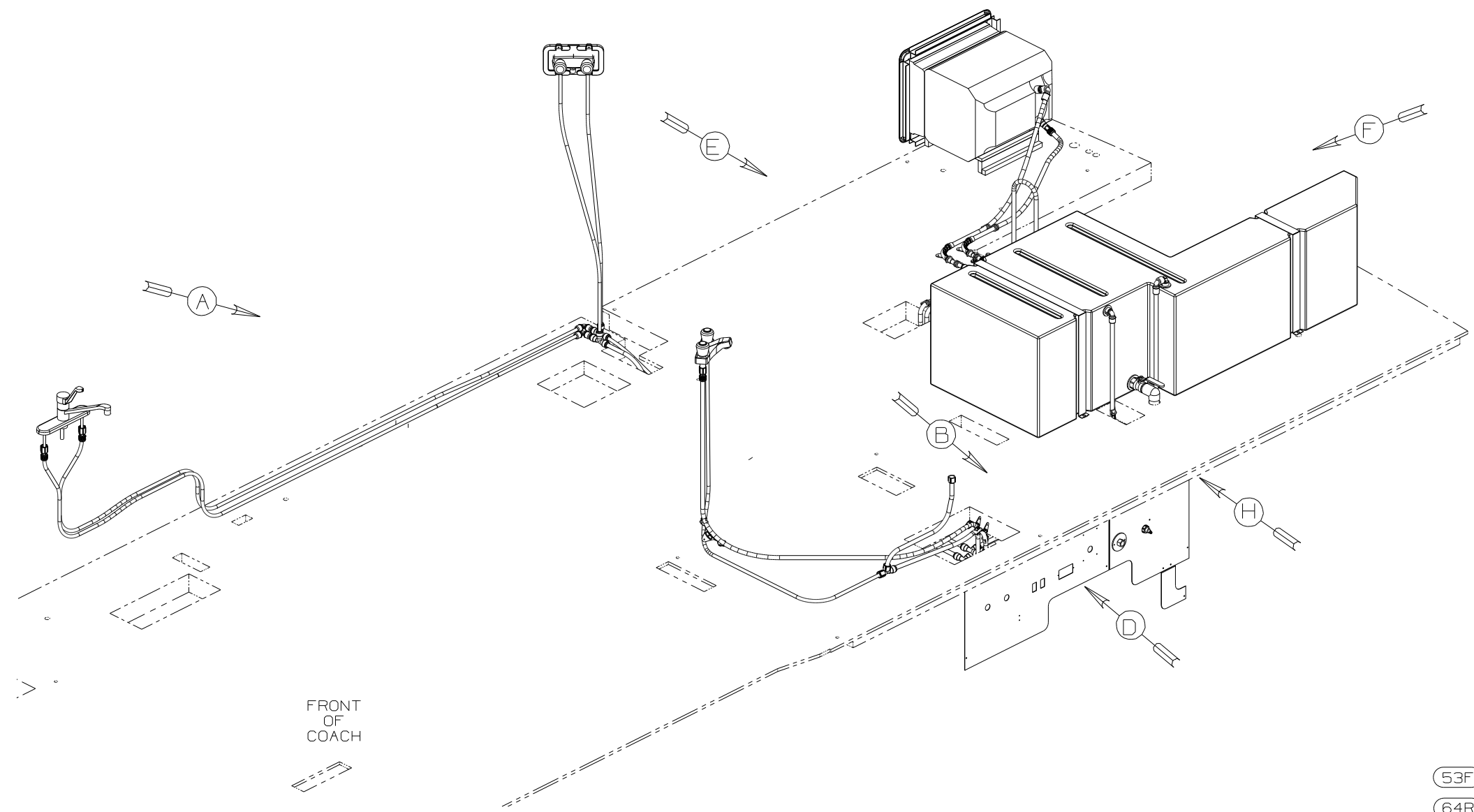
VIEW C



VIEW D



FIRST USED	07 D30B		
TITLE	DO NOT SCALE DRAWING		
	DRAINAGE SYSTEM INSTL		
SHEET 3	PART NO	157337	REV



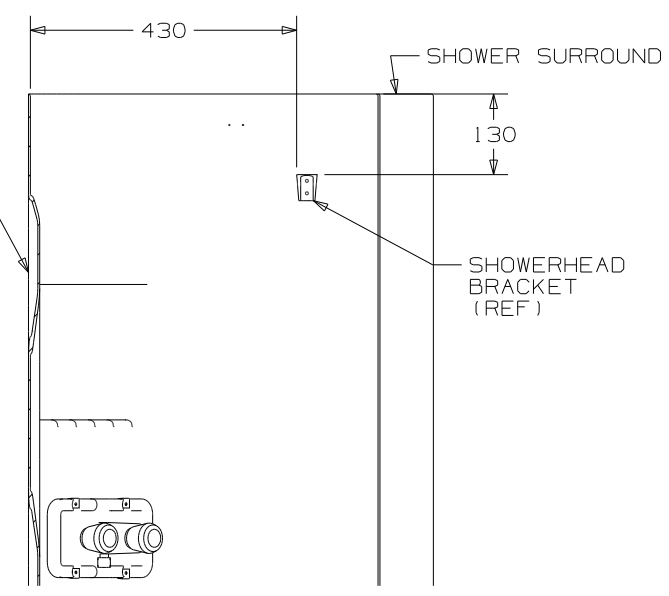
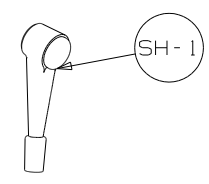
FRONT  
OF  
COACH

- NOTES:
- 1. PLASTIC FITTINGS TO BE SEALED WITH SEALANT 84456-01-000.
  - 2. TUBING TO BE INSTALLED WITH SUFFICIENT SLOPE TO PROVIDE DRAINAGE TO NEAREST VALVE.
  - 3. ALL TUBING TO BE SECURED AT 1200 INTERVALS MAXIMUM WITH CLAMP 10495-01-000 AND SCREW G67-10-12B, OR EQUIVALENT.
  - 4. CLAMPS MUST BE ON BARBS.
  - 5. ADD TEFLON TAPE 10405-02-000 TO FITTING.
  - 6. ADD TEFLON TAPE 10405-03-000 TO FITTING.
  - 7. ADD TEFLON TAPE 10405-01-000 TO FITTING.
  - 8. TAPE FITTING TO TUBE BEFORE CABINET SET, TO PREVENT FITTING FROM MOVING.
  - 9. LABEL THE HOT AND COLD SUPPLY TUBES.
  - 10. ADD PIPE WRAP (LADDER SCRAP) INSULATION HERE.

- (53F) WATER HEATER-ELEC. IGNITION
- (64R) EXTERIOR WASH STATION
- (1J4) EXTERIOR WASH STATION W/O
- (53Z) WTR HTR-6GAL/110/LP/MTR/AUTO

(X-X)  
FOR  
WATER  
CALLOUTS  
SEE DWG NO  
116230-01-000

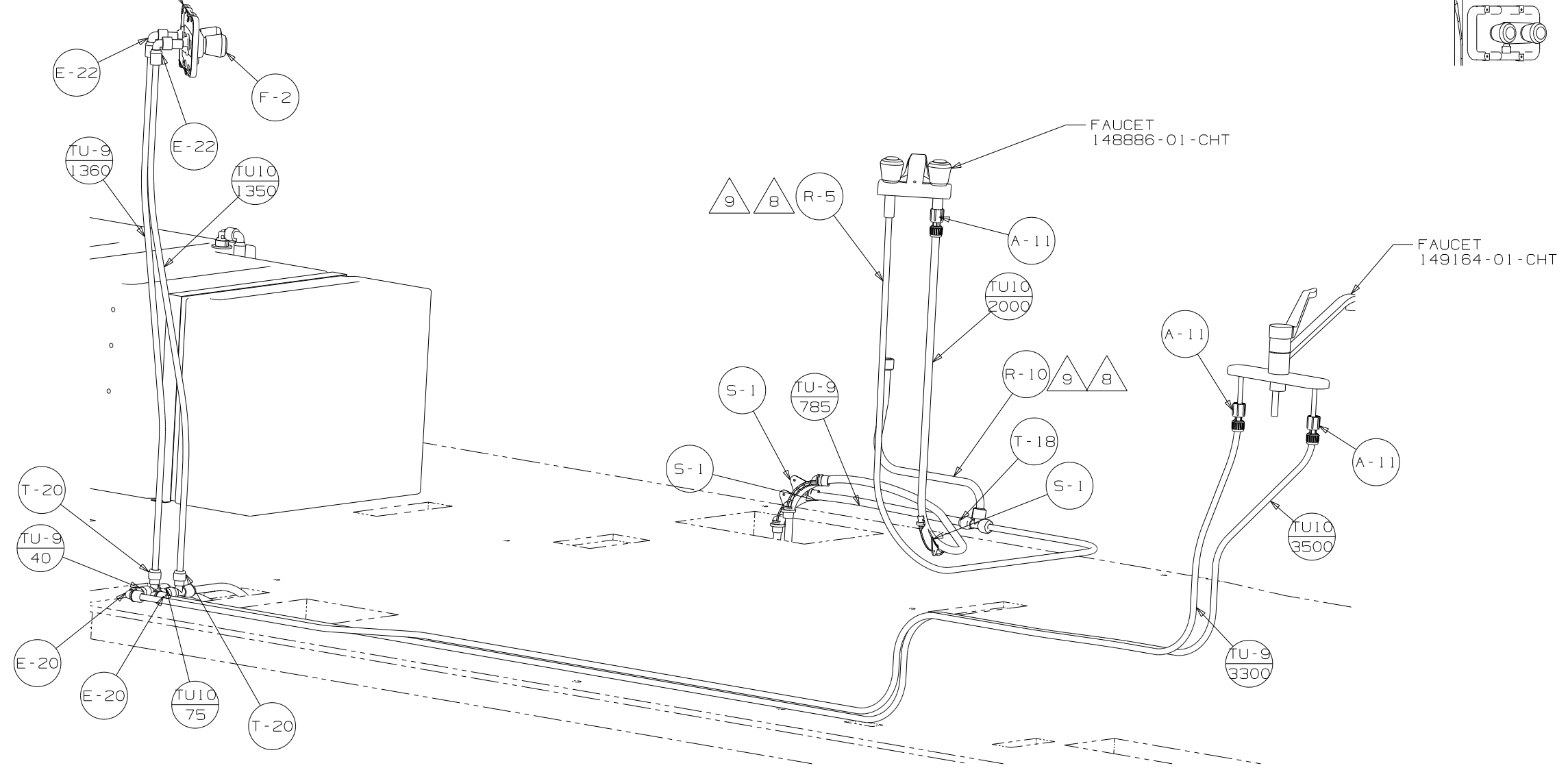
<b>WINNEBAGO</b>		COPYRIGHT 2006 WINNEBAGO INDUSTRIES, INC.	
DFTR	ORIG. DATE	ALL DIMENSIONS ARE IN MILLIMETERS	
CHKR		FIRST USED	
P.E.		07 D30B	
M.E.		UNSPECIFIED TOLERANCES ARE:	
DSNR		MATERIAL:	
		WHOLE DIM (X)	: 3
		ONE-PLACE (X.X)	:
		TWO-PLACE (X.XX)	:
		ANGLE	:
THIRD ANGLE PROJECTION		DO NOT SCALE DRAWING	
TITLE: WATER SYSTEM INSTL			
SHEET 1 OF 4	PART NO	157338	REV
REF:	1 12/21/2006		



PANEL - SHOWER  
78498-01-CHT  
NUT - SPEED - U  
40921-05-000 (4)



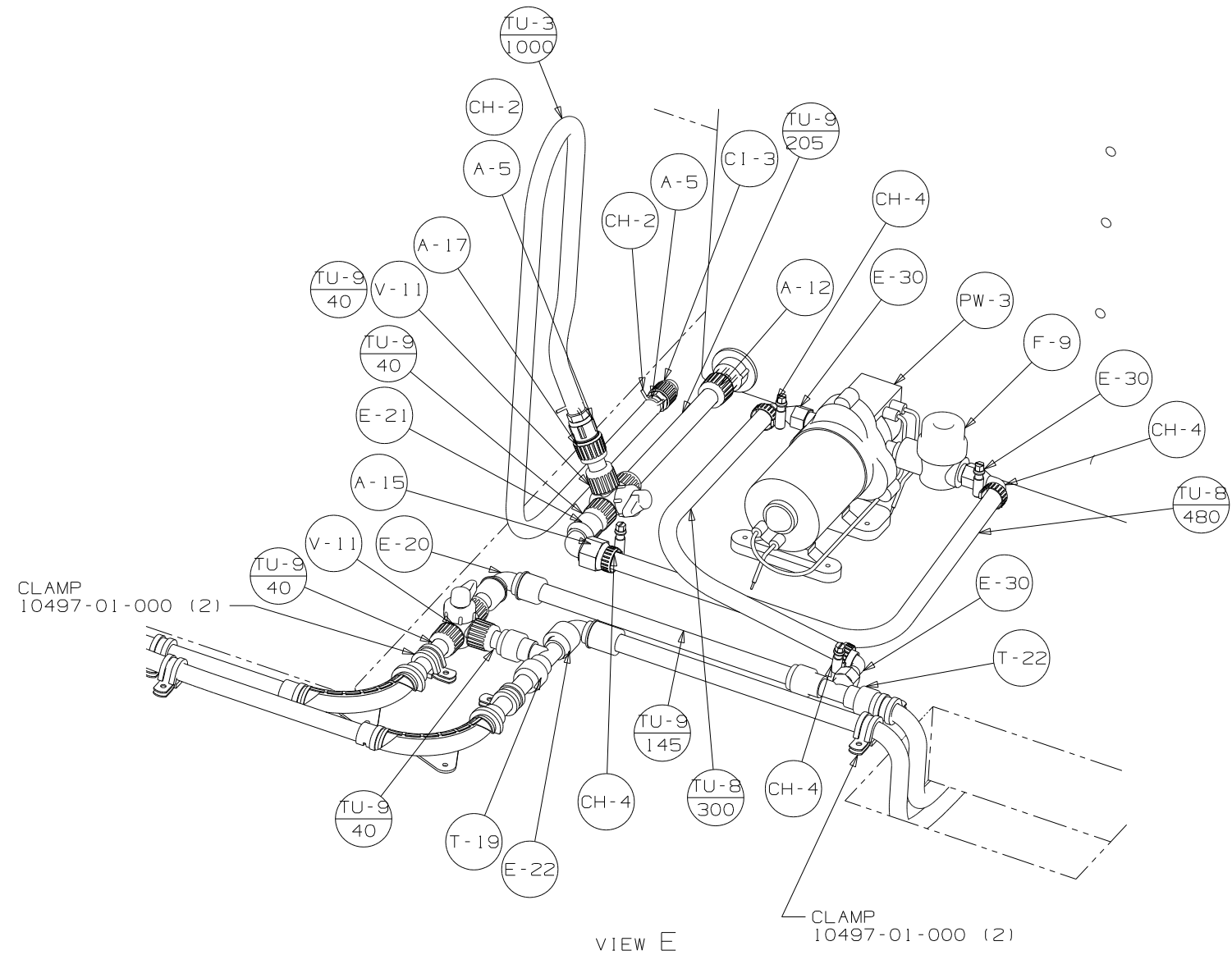
VIEW G



VIEW A

FIRST USED	07 D30B		
TITLE	DO NOT SCALE DRAWING		
	WATER SYSTEM INSTL		
SHEET 2	PART NO	157338	REV

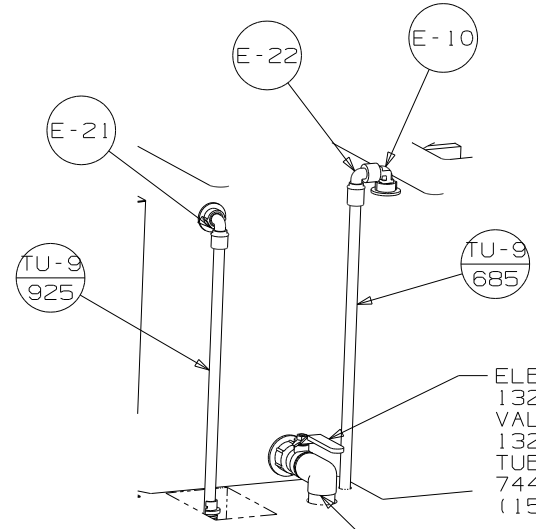




VIEW E

CLAMP  
10497-01-000 (2)

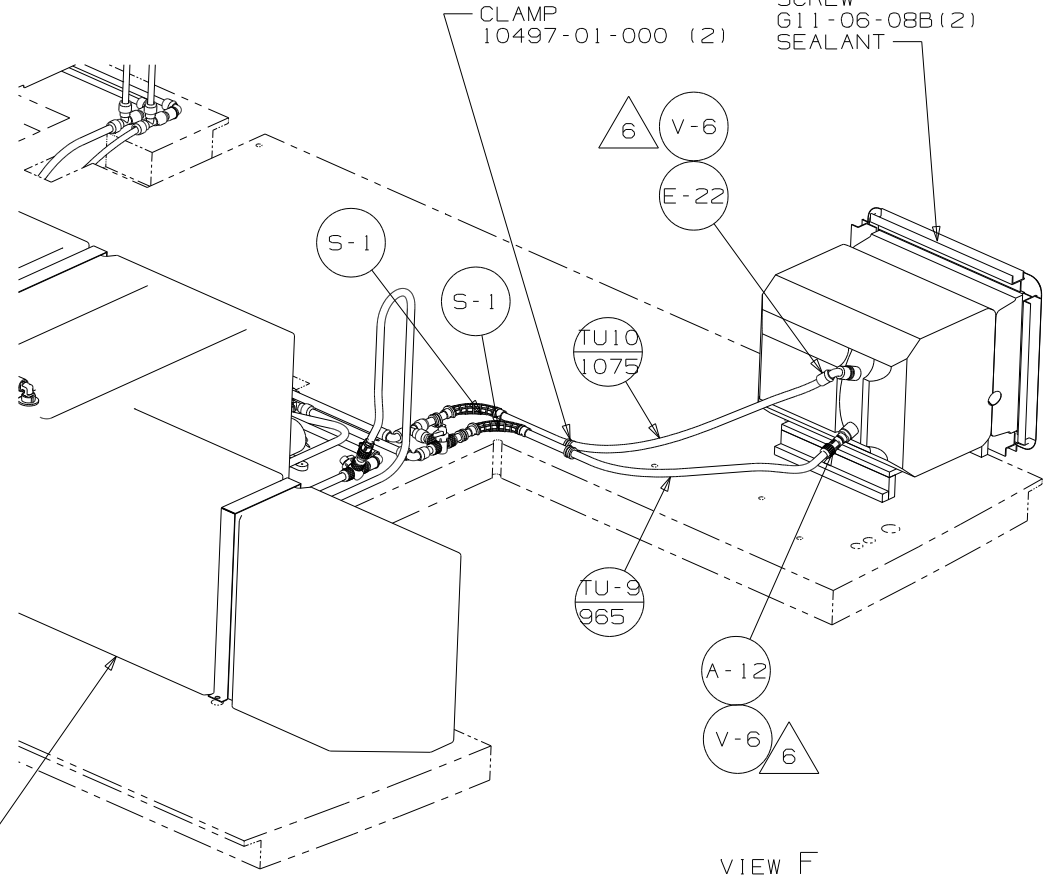
CLAMP  
10497-01-000 (2)



VIEW H

ELBOW  
132782-01-000  
VALVE-BALL  
132483-01-000  
TUBING  
74462-01-000  
(150)

TANK ASM-WATER  
158499-02-000  
STRAAP-TANK, WATER  
118994-11-CHT  
118994-04-CHT  
BOLT  
C16-05-96B (4)  
WASHER  
E13-22-00B (4)  
NUT  
D39-06-00B (8)  
PIPE  
10644-51-002 (4)



VIEW F

(53F) WATER HEATER-6 GAL  
51391-03-000  
145541-02-000  
(53Z) DOOR  
052009-06-000  
FLANGE-WATER HEATER  
152239-01-CHT  
PLATFORM ASM-WATER HEATER  
155334-01-000  
SCREW  
G39-10-48B (2)  
AL EXTR  
151293-51-004 (2)  
151293-51-003 (2)  
SCREW  
G39-10-169 (18)  
CABLE  
76767-03-000  
SCREW  
G11-06-08B(2)  
SEALANT

FIRST USED	07 D30B		
TITLE	DO NOT SCALE DRAWING		
TITLE	WATER SYSTEM INSTL		
SHEET 4	PART NO	157338	REV