

FRONT
OF
COACH

(265) CODES/STDS-CSA/CMVSS
(1B1) CODES/STANDARDS-USA



D/FR	ORIG. DATE
CHKR	ALL DIMENSIONS ARE IN MILLIMETERS
P.E.	
M.E.	FIRST USED
DSNR	07 D29R
UNSPECIFIED TOLERANCES ARE:	MATERIAL:
HOLE DIM (X) :	3
ONE-PLACE (X.X) :	
TWO-PLACE (X.XX) :	
ANGLE :	
THIRD ANGLE PROJECTION	

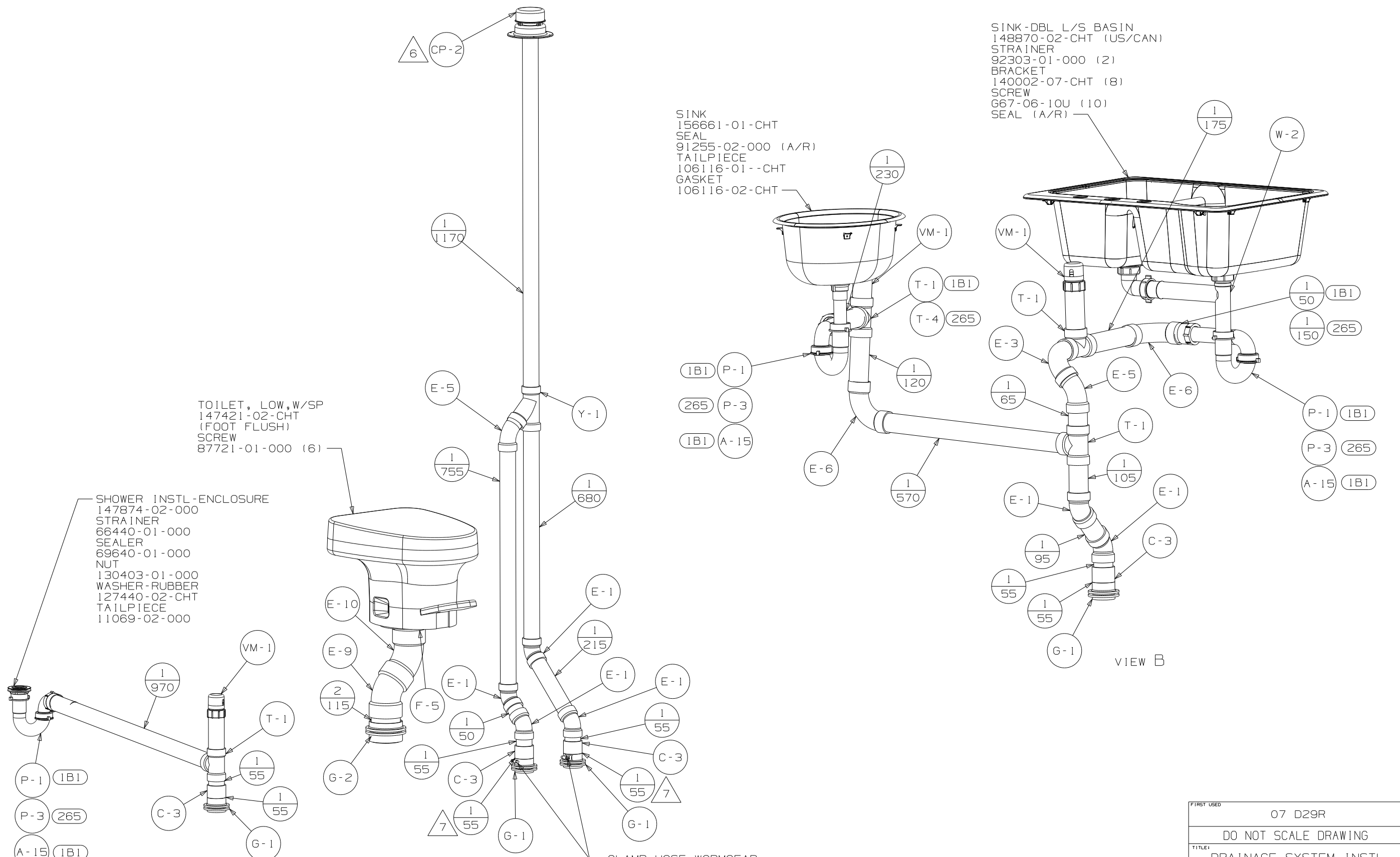
- 7 SECURE VENT TUBES TO FLOOR WITH BRACKET 95061-01-000 (2), CLAMP 62401-02-000 AND SCREW G67-10-12B (2)
- 6 VENT PIPE MUST PROJECT 51 MIN AND 64 MAX ABOVE ROOF FOR PROPER FIT AND FUNCTION.
5. SEAL AROUND SHOWER WITH SILICONE.
4. ALL EXTERIOR OPENINGS AROUND PIPE TO BE SEALED WITH 131264-03-000.
3. ALL PIPE AND FITTINGS TO BE ASSEMBLED WITH SOLVENT 4020-01-000 (US), 4020-02-000 (CAN).
2. SLOPE OF TRAP ARM MUST BE 6 PER 305 mm.
1. SLOPE OF HORIZONTAL PIPING TO BE MIN 3 PER 305 mm.

FOR DRAINAGE CALLOUTS SEE DWG NO 116229-01-000

DO NOT SCALE DRAWING

TITLE: DRAINAGE SYSTEM INSTL

SHEET 1 OF 3 PART NO 157341 REV



TOILET, LOW, W/SP
 147421-02-CHT
 (FOOT FLUSH)
 SCREW
 87721-01-000 (6)

SHOWER INSTL-ENCLOSURE
 147874-02-000
 STRAINER
 66440-01-000
 SEALER
 69640-01-000
 NUT
 130403-01-000
 WASHER-RUBBER
 127440-02-CHT
 TAILPIECE
 11069-02-000

SINK
 156661-01-CHT
 SEAL
 91255-02-000 (A/R)
 TAILPIECE
 106116-01--CHT
 GASKET
 106116-02-CHT

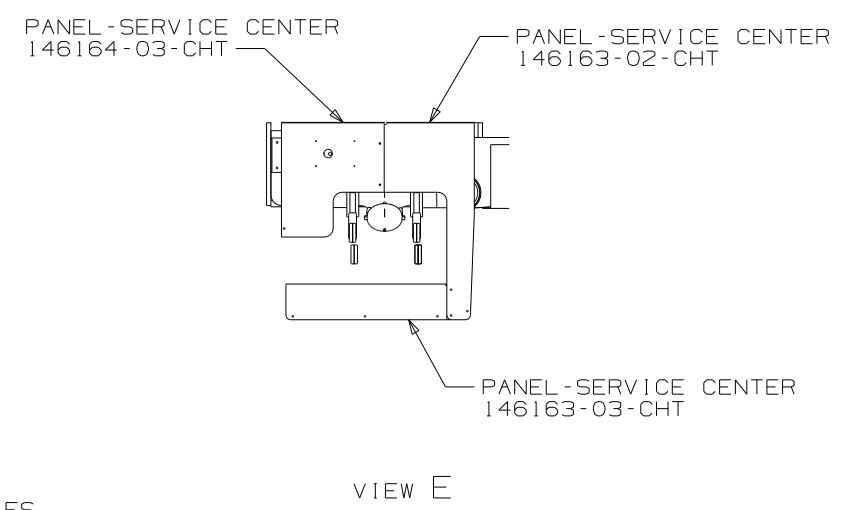
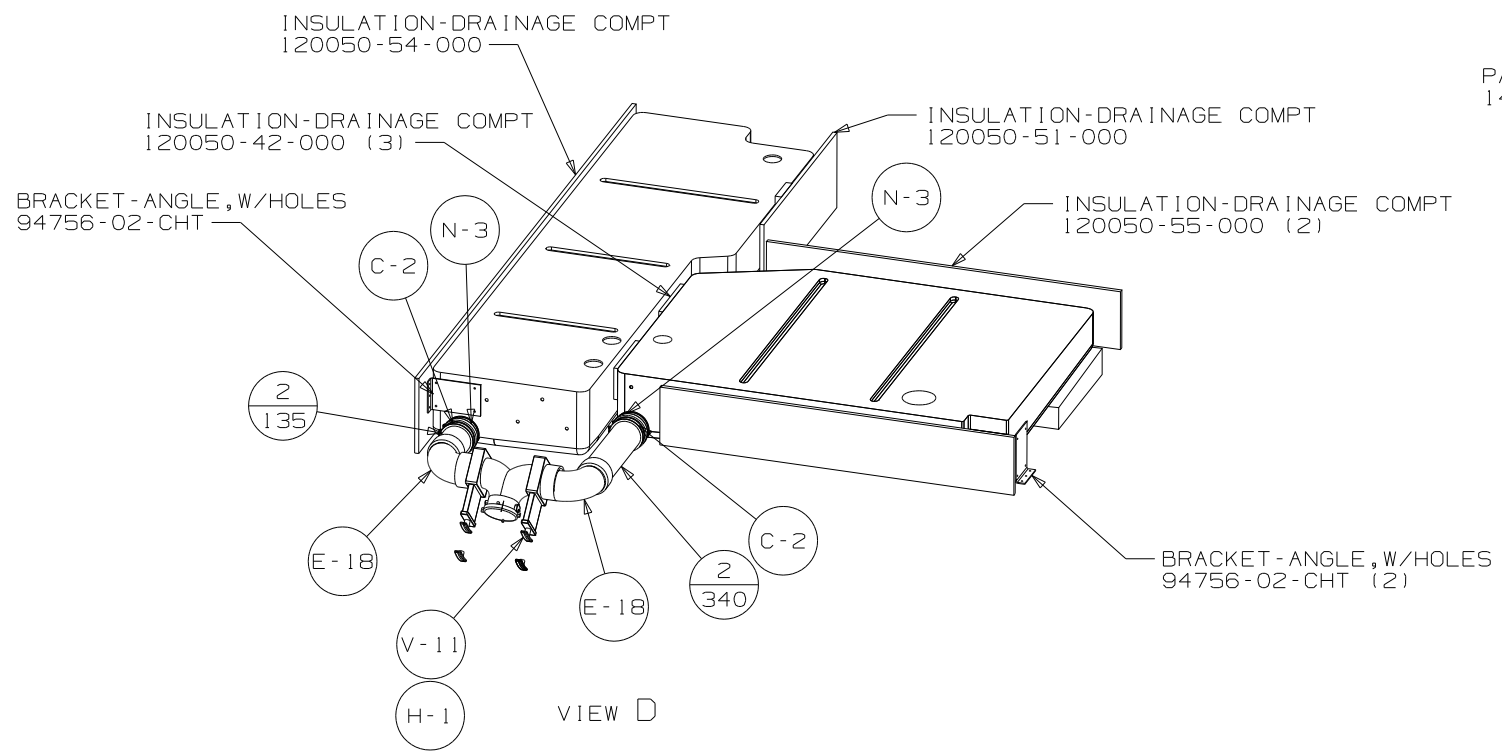
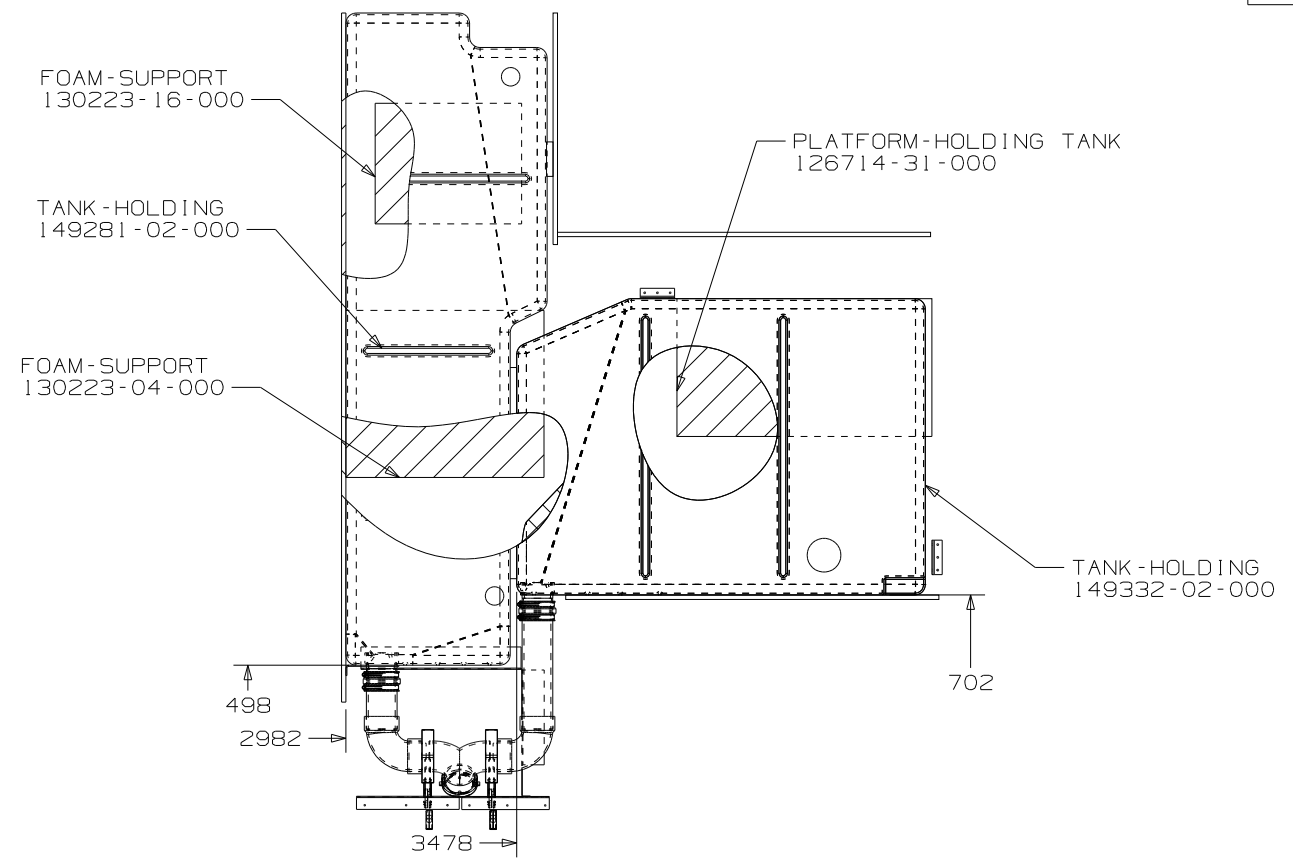
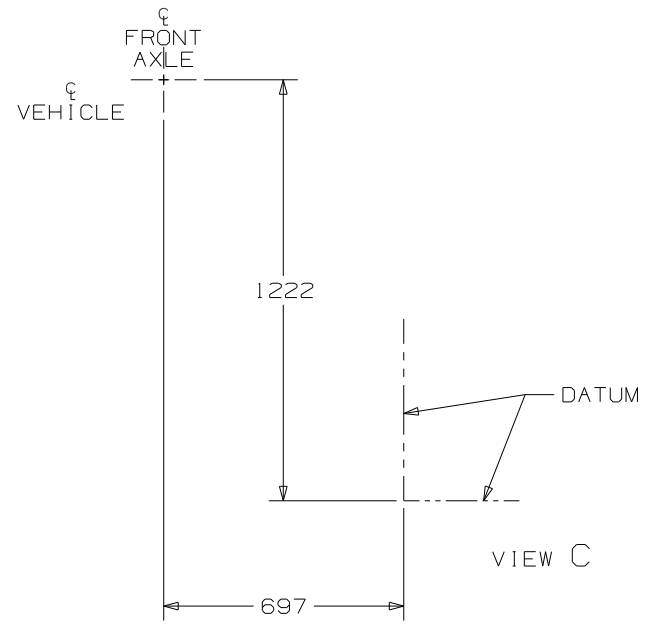
SINK-DBL L/S BASIN
 148870-02-CHT (US/CAN)
 STRAINER
 92303-01-000 (2)
 BRACKET
 140002-07-CHT (8)
 SCREW
 G67-06-10U (10)
 SEAL (A/R)

CLAMP-HOSE WORMGEAR
 62401-02-000 (2)

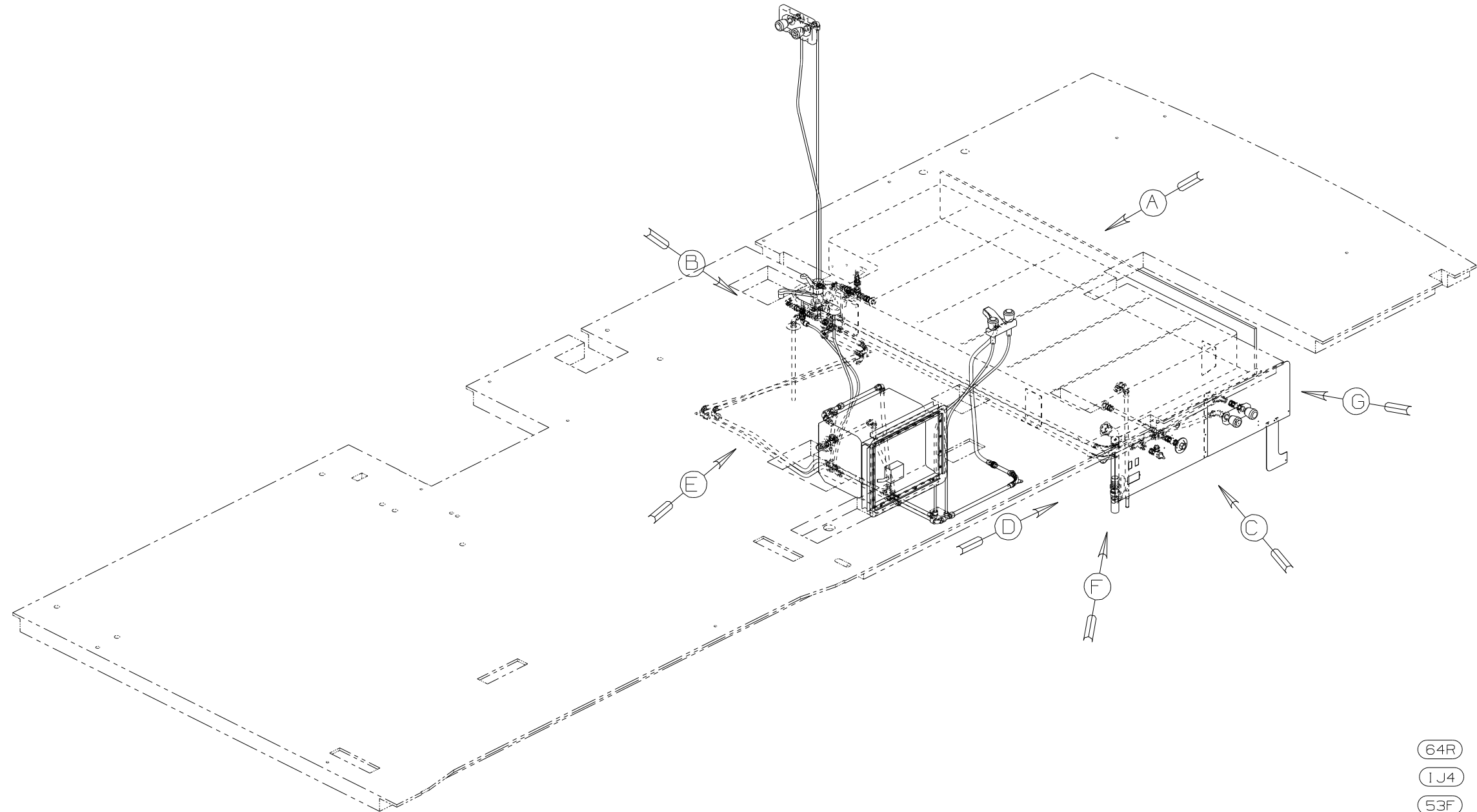
VIEW A

VIEW B

FIRST USED	07 D29R	
TITLE	DO NOT SCALE DRAWING	
	DRAINAGE SYSTEM INSTL	
SHEET 2	PART NO	REV
	157341	



FIRST USED	07 D29R		
TITLE	DO NOT SCALE DRAWING		
	DRAINAGE SYSTEM INSTL		
SHEET 3	PART NO	157341	REV
			1 9/22/2006



- (64R) EXTERIOR WASH STATION
- (1J4) EXT WASH STATION-WITHOUT
- (53F) WATER HEATER-ELEC IGNITION
- (53Z) WTR HTR-6 GAL/110/LP/MTR/AUTO

- 9 ADD PIPE WRAP (LADDER SCRAP) INSULATION HERE.
 - 8 LABEL HOT AND COLD SUPPLY TUBES.
 - 7 TAPE FITTING TO TUBE BEFORE CABINET SET TO PREVENT FITTING FROM MOVING.
 - 6 ADD TEFLON TAPE 10405-01-000.
 - 5 ADD TEFLON TAPE 10405-02-000.
 - 4 FLUSHING SYSTEM REQUIRES 125697-06-000 INSTRUCTION SHEET.
3. ALL TUBING TO BE SECURED AT 1200 INTERVALS MAXIMUM WITH CLAMP 10495-01-000 AND SCREW G67-10-12B OR EQUIVALENT.
 2. TUBING TO BE INSTALLED WITH SUFFICIENT SLOPE TO PROVIDE DRAINAGE TO NEAREST VALVE.
 1. PLASTIC FITTINGS TO BE SEALED WITH SEALANT 84456-01-000.

NOTES:

WINNEBAGO		COPYRIGHT 2006 WINNEBAGO INDUSTRIES, INC.	
DFTR	ORIG. DATE	ALL DIMENSIONS ARE IN MILLIMETERS	
CHKR		FIRST USED	
P.E.		07 D29R	
M.E.		UNSPECIFIED TOLERANCES ARE:	
DSNR		MATERIAL:	
		WHOLE DIM (X)	: 3
		ONE-PLACE (X.X)	: 1.5
		TWO-PLACE (X.XX)	: 0.50
		ANGLE	: 1°
THIRD ANGLE PROJECTION		DO NOT SCALE DRAWING	
TITLE: WATER SYSTEM INSTL			
SHEET 1 OF 4	PART NO	157342	REV
REF:	12/14/2006		

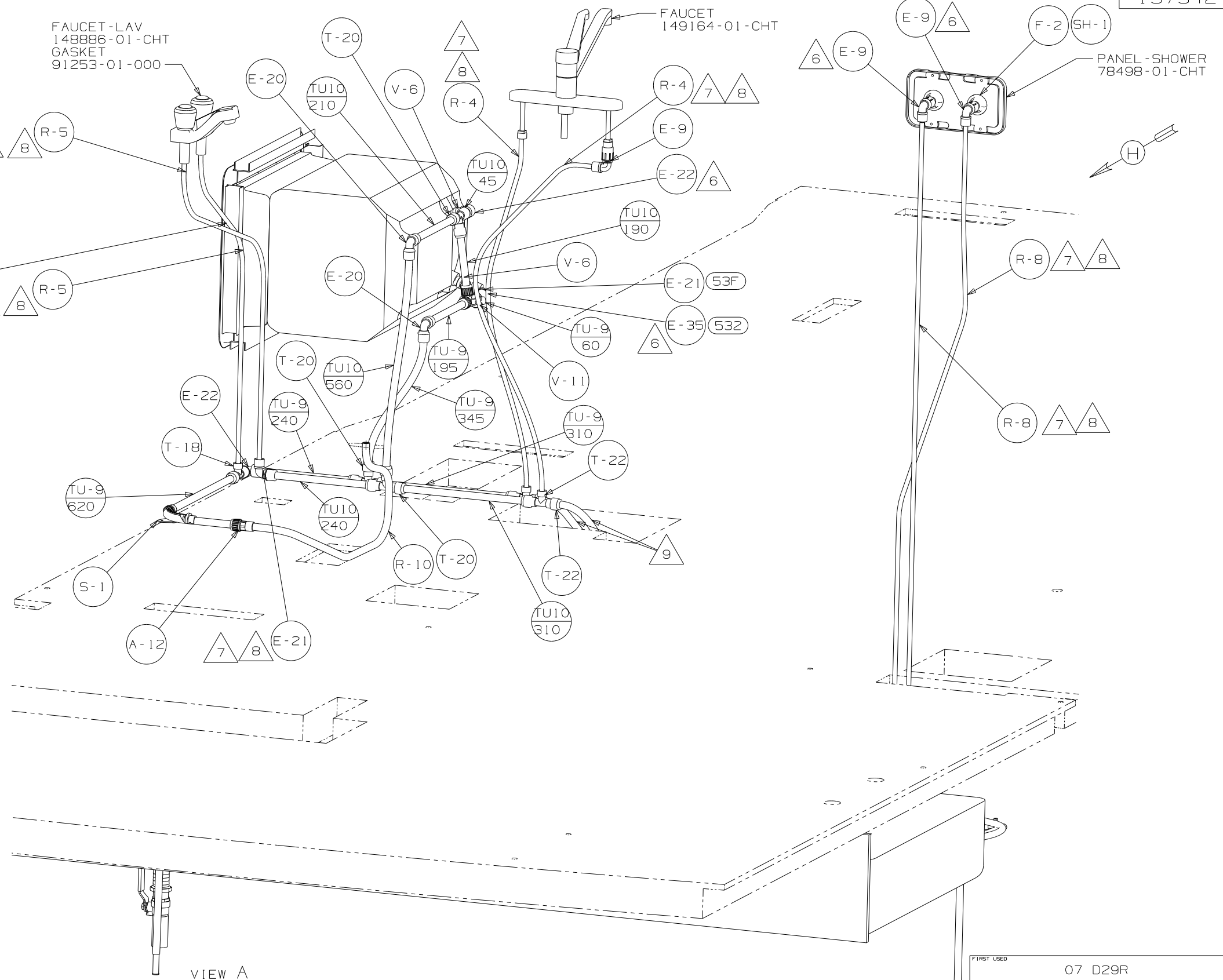
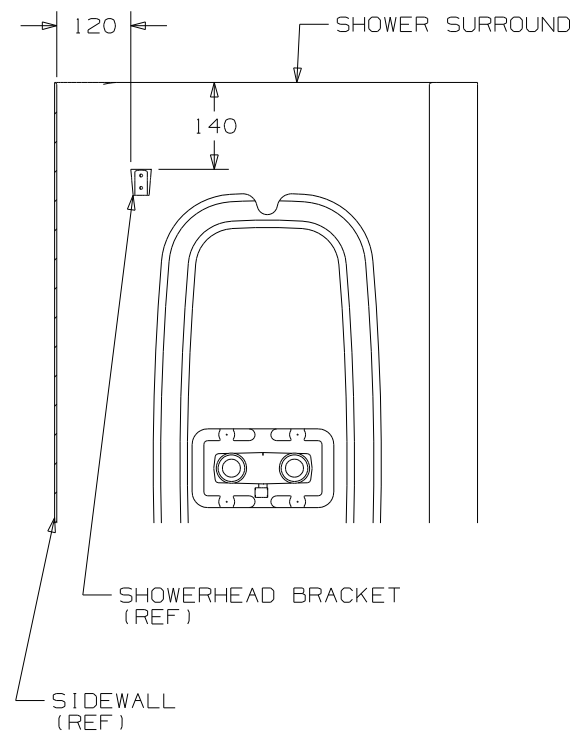
(X-X)
FOR
WATER
CALLOUTS
SEE DWG NO
116230-01-000

- (53F) WATER HEATER 51391-03-000
- (53Z) 145541-02-000
- DOOR 052009-06-000
- CABLE 76767-03-000
- SCREW G11-06-08B (2)
- AL EXTR 151293-51-004 (2)
- 151293-51-003 (2)
- SCREW G39-10-169 (18)
- SEALANT 152239-01-CHT
- FLANGE

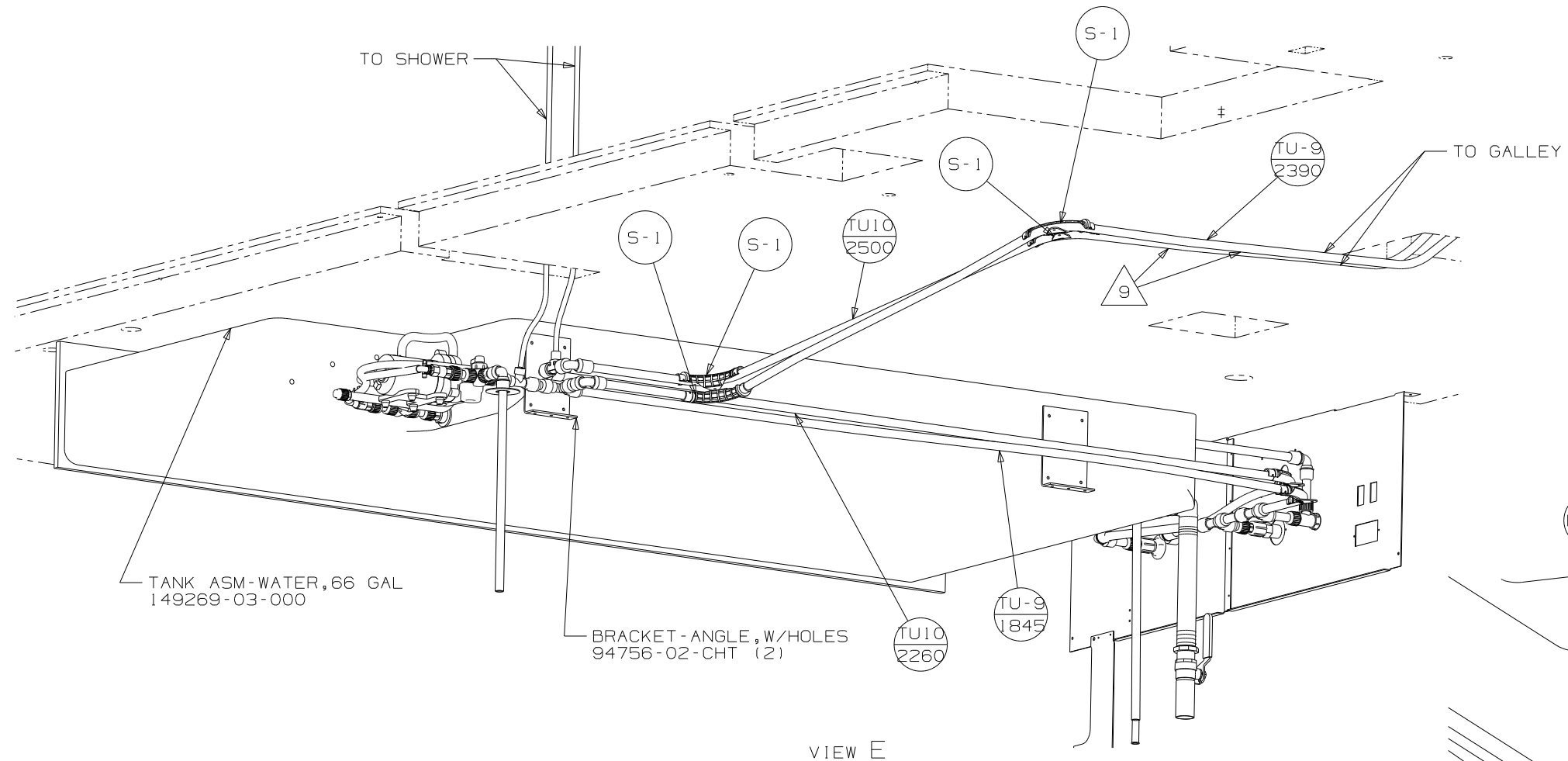
FAUCET-LAV
148886-01-CHT
GASKET
91253-01-000

FAUCET
149164-01-CHT

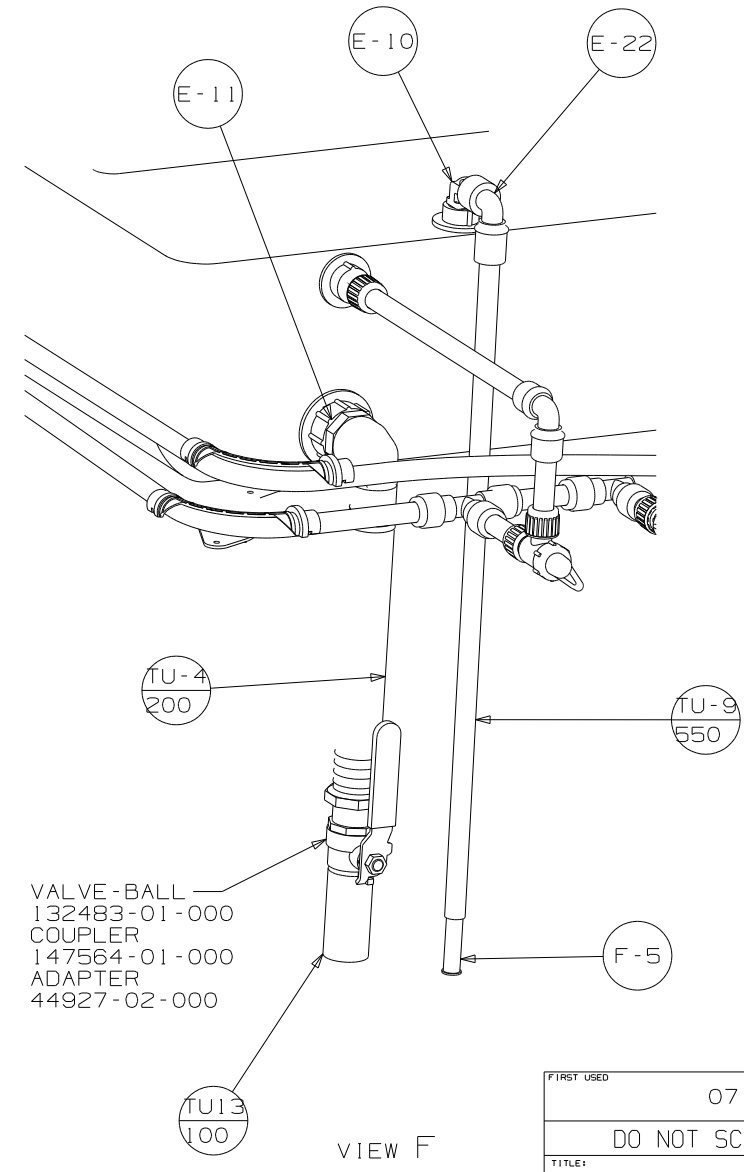
PANEL-SHOWER
78498-01-CHT



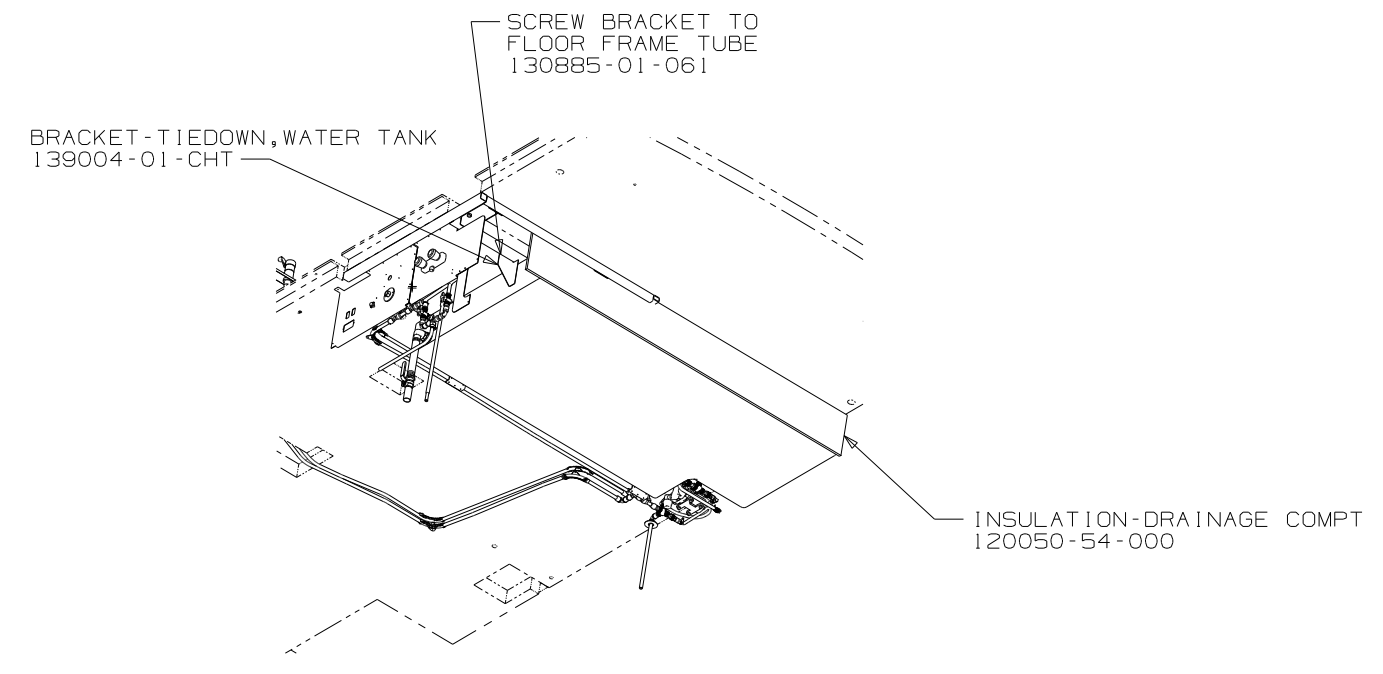
FIRST USED	07 D29R
DO NOT SCALE DRAWING	
TITLE	WATER SYSTEM INSTL
SHEET 2	PART NO 157342 REV



VIEW E



VIEW F



VIEW G

FIRST USED	07 D29R
TITLE	DO NOT SCALE DRAWING
	WATER SYSTEM INSTL
SHEET 4	PART NO 157342 REV