



DANGER

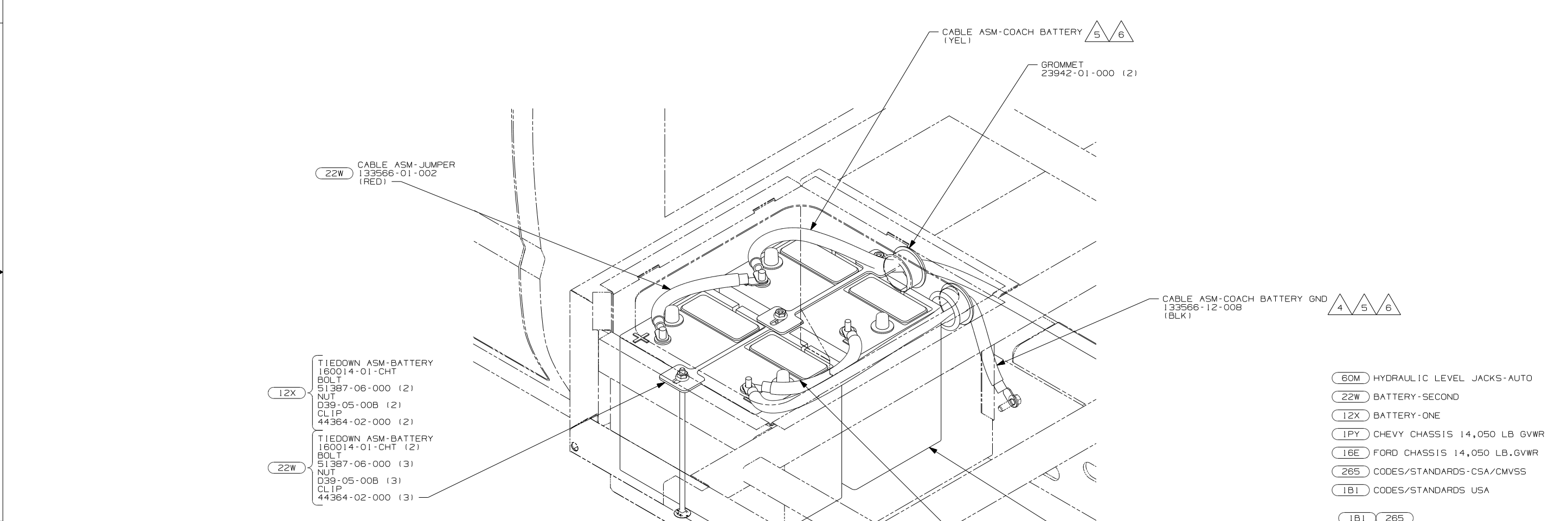
Danger of electrical shock, burns or death. Always remove all power sources before attempting any repair, service or diagnostic work. Power can be present from shore power, generator, inverter or battery. All power sources must be disabled and secured before performing any service.



CAUTION

If you lack the skills, tools or equipment to perform diagnostic or repair work leave such work to an authorized Winnebago Industries dealer or other qualified shop.

	723D	726A	729H
CABLE ASM-STARTER (RED)	16E 141415-32-053	141415-32-060	141415-32-068
	1PY 141415-32-033	141415-32-040	141415-32-048
CABLE ASM-COACH BATTERY (YEL)	16E 141415-52-033	141415-52-036	141415-52-048
	1PY 141415-52-033	141415-52-036	141415-52-048
CABLE ASM-GENERATOR (GRN)	16E 141415-42-046	141415-42-048	141415-42-060
	1PY 141415-42-046	141415-42-048	141415-42-060
CABLE ASM-GENERATOR GND (BLK)	16E 133566-12-006	133566-12-007	133566-12-006
	1PY 133566-12-006	133566-12-007	133566-12-006
LEVELING SYSTEM POWER CABLE (BLU)	60M 141415-22-030	141415-22-010	141415-22-016



- 7 SEE LEVELING SYSTEM INSTL FOR ADDITIONAL INFORMATION.
 - 6 THE POSITIVE AND NEGATIVE BATTERY CABLES ARE TO BE TERMINATED ON THE SAME BATTERY WITH 12X
 - 5 THE POSITIVE AND NEGATIVE BATTERY CABLES ARE TO BE TERMINATED ON OPPOSITE BATTERIES WITH 22W
 - 4 CABLE LENGTH IS STANDARDIZED TO ALLOW FOR FUTURE ADDITION OF SECOND BATTERY.
 - 3 ROUTING OF CABLES SHOWN ON WIRING INSTL-CHASSIS ONLY.
2. BATTERY CABLES ARE NOT TO BE ROUTED OVER BATTERY FILL CAPS.
1. SEE WIRING INSTL-CHASSIS FOR ADDITIONAL INFORMATION ON ROUTING OF CABLES.

NOTES:

- 60M HYDRAULIC LEVEL JACKS-AUTO
- 22W BATTERY-SECOND
- 12X BATTERY-ONE
- 1PY CHEVY CHASSIS 14,050 LB GVWR
- 16E FORD CHASSIS 14,050 LB.GVWR
- 265 CODES/STANDARDS-CSA/CMVSS
- 1B1 CODES/STANDARDS USA

WINNEBAGO		COPYRIGHT 2006 WINNEBAGO INDUSTRIES, INC.	
DFTR	ORIG. DATE	ALL DIMENSIONS ARE IN MILLIMETERS	
CHKR		FIRST USED	
P.E.		07 700-SER	
M.E.		UNSPECIFIED TOLERANCES ARE:	
DSNR		MATERIAL:	
		WHOLE DIM (X)	:
		ONE-PLACE (X.X)	:
		TWO-PLACE (X.XX)	:
		ANGLE	:
THIRD ANGLE PROJECTION			
DO NOT SCALE DRAWING			
TITLE: BATTERY INSTL			
SHEET 1 OF 1	PART NO	REV	
	156977		
REF:		1 4/24/2007	

FOR ELECTRICAL TORQUE SPECIFICATIONS SEE DWG NO. 128783-01-000

X-X FOR ELECTRICAL CALLOUTS SEE DWG NO. 121339-01-000