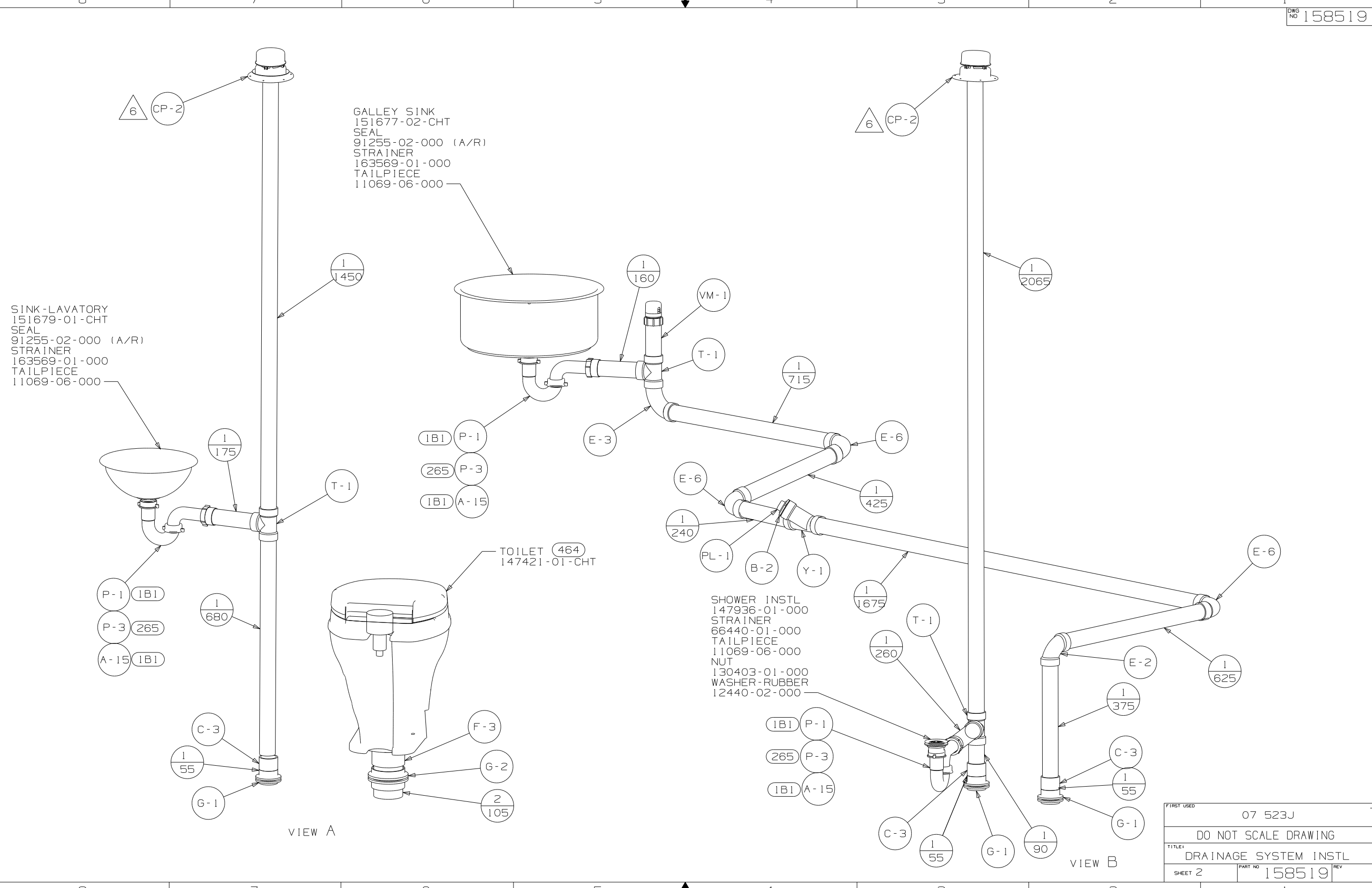


- NOTES:
- 8. SECURE PIPES TO CABINET USING WIRE TIE 108046-02-000, AND SCREW G67-10-12B.
 - 7. SECURE VENT TUBES TO FLOOR WITH CLAMP 62401-02-000 (2), SCREW G67-10-12B (2), BRACKET 136878-01-CHT (3).
 - 6. VENT PIPE MUST PROJECT 51 MIN AND 64 MAX ABOVE ROOF FOR PROPER FIT AND FUNCTION.
 - 5. SEAL AROUND SHOWER WITH SILICONE.
 - 4. ALL EXTERIOR OPENINGS AROUND PIPE TO BE SEALED WITH 131264-03-000.
 - 3. ALL PIPE AND FITTINGS TO BE ASSEMBLED WITH SOLVENT 4020-01-000 (USA), 4020-02-000 (CAN)
 - 2. SLOPE OF TRAP ARM MUST BE 6 PER 305 mm.
 - 1. SLOPE OF HORIZONTAL PIPING TO BE MIN 3 PER 305 mm.

- (B1) CODES/STANDARDS-USA
- (265) CODES/STDS-CSA/CMVSS
- (23T) DRAINAGE SYSTEM-HEATED
- (1JD) DRAINAGE SYSTEM-HEATED-W/O
- (464) TOILET

WINNEBAGO		COPYRIGHT 2007 WINNEBAGO INDUSTRIES, INC.	
DFT	ORIG. DATE	ALL DIMENSIONS ARE IN MILLIMETERS	
CHKR		FIRST USED	
P.E.		07 523J	
M.E.		UNSPECIFIED TOLERANCES ARE:	
DSNR		MATERIAL:	
		WHOLE DIM (X)	: 3
		ONE-PLACE (X.X)	: 1.5
		TWO-PLACE (X.XX)	: 0.50
		ANGLE	: 1°
THIRD ANGLE PROJECTION		DO NOT SCALE DRAWING	
TITLE: DRAINAGE SYSTEM INSTL			
SHEET 1 OF 3	PART NO	158519	REV
REF:	1 1/8/2007		

(X-X)
FOR
DRAINAGE
CALLOUTS
SEE DWG NO
116229-01-000



GALLEY SINK
 151677-02-CHT
 SEAL
 91255-02-000 (A/R)
 STRAINER
 163569-01-000
 TAILPIECE
 11069-06-000

SINK-LAVATORY
 151679-01-CHT
 SEAL
 91255-02-000 (A/R)
 STRAINER
 163569-01-000
 TAILPIECE
 11069-06-000

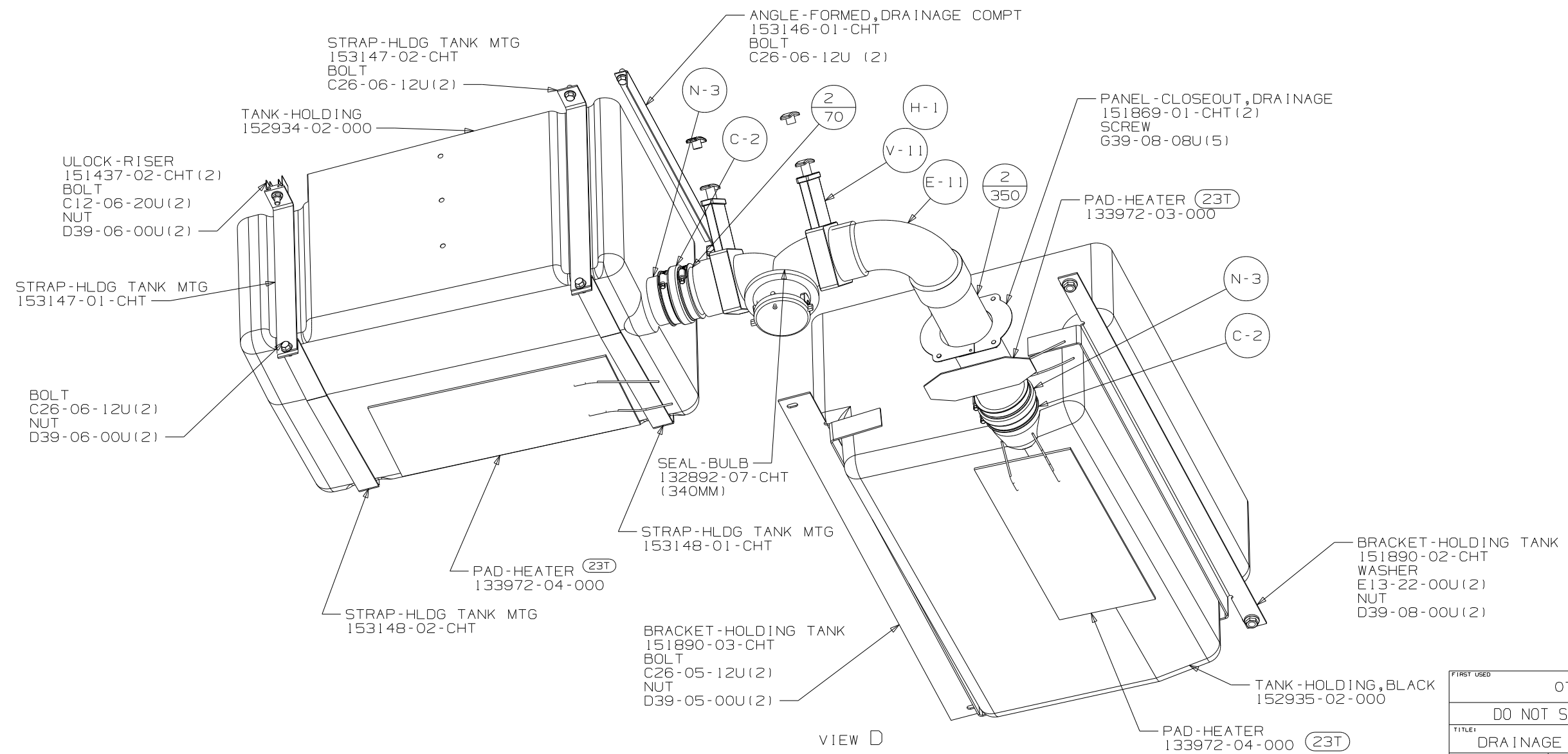
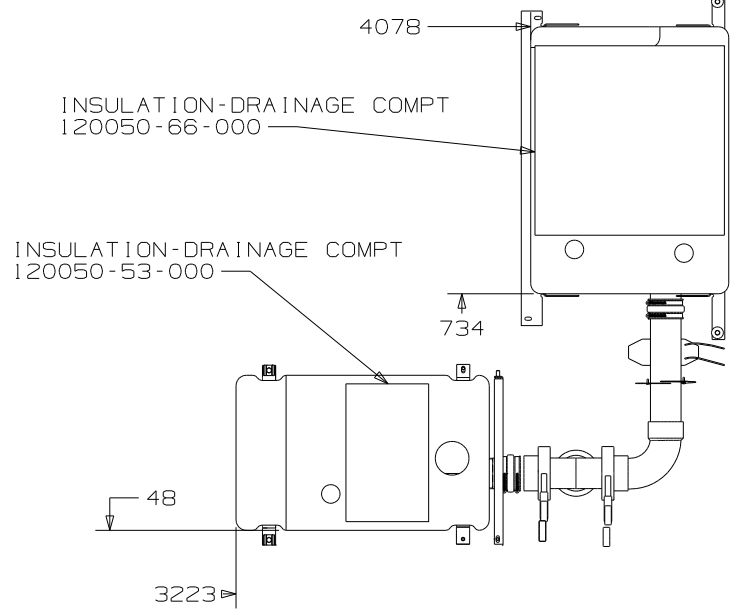
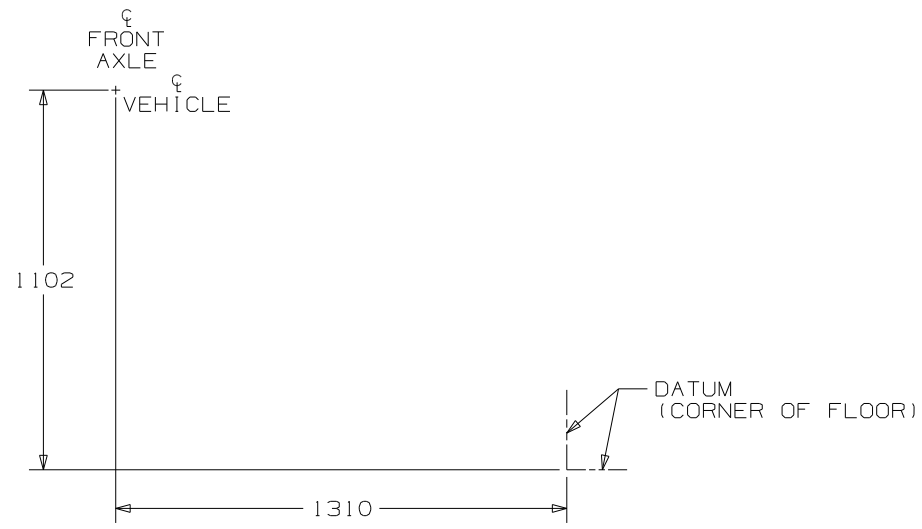
TOILET 464
 147421-01-CHT

SHOWER INSTL
 147936-01-000
 STRAINER
 66440-01-000
 TAILPIECE
 11069-06-000
 NUT
 130403-01-000
 WASHER-RUBBER
 12440-02-000

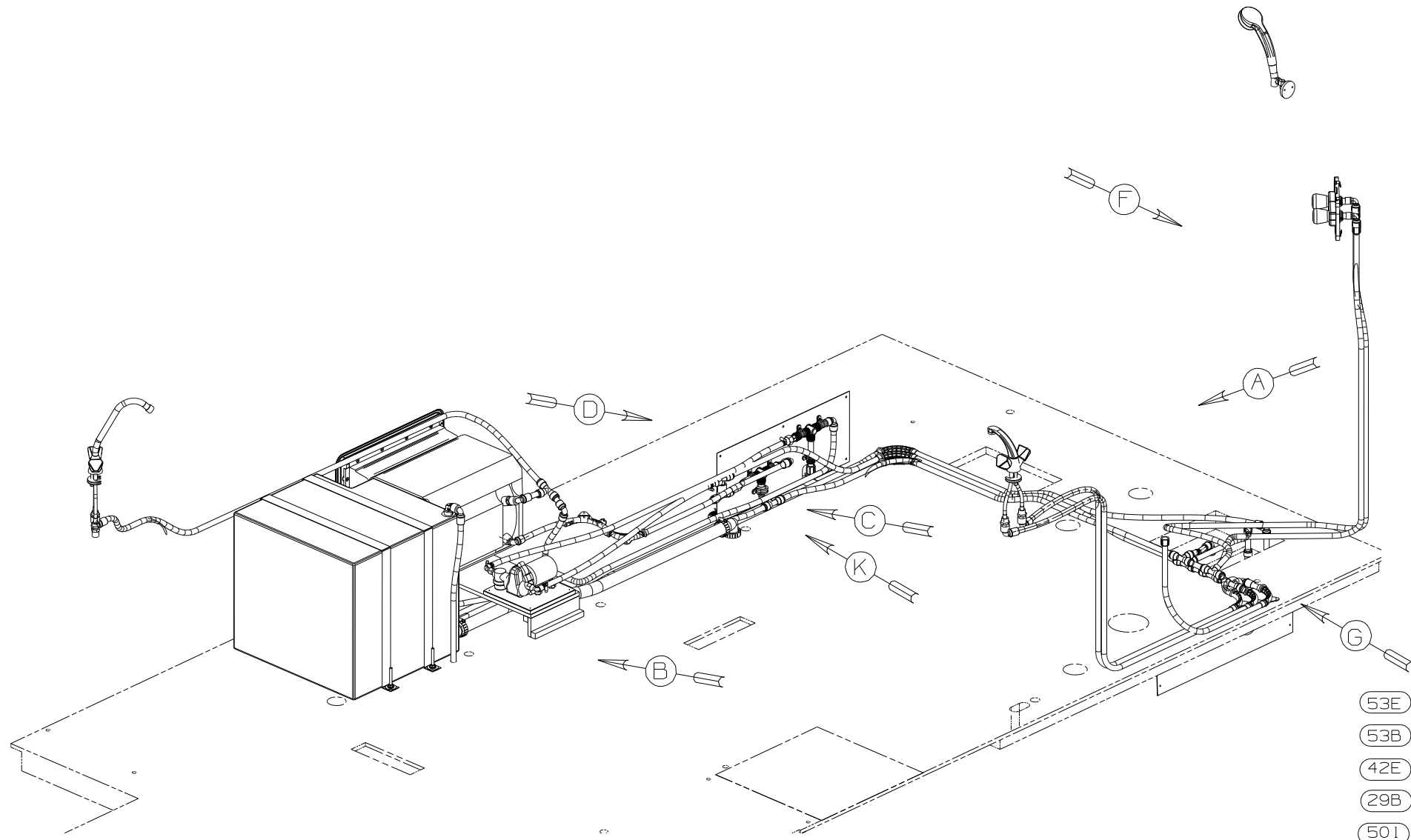
VIEW A

VIEW B

FIRST USED	07 523J		
DO NOT SCALE DRAWING			
TITLE	DRAINAGE SYSTEM INSTL		
SHEET 2	PART NO	158519	REV



FIRST USED	07 523J
DO NOT SCALE DRAWING	
TITLE	DRAINAGE SYSTEM INSTL
SHEET 3	PART NO 158519 REV



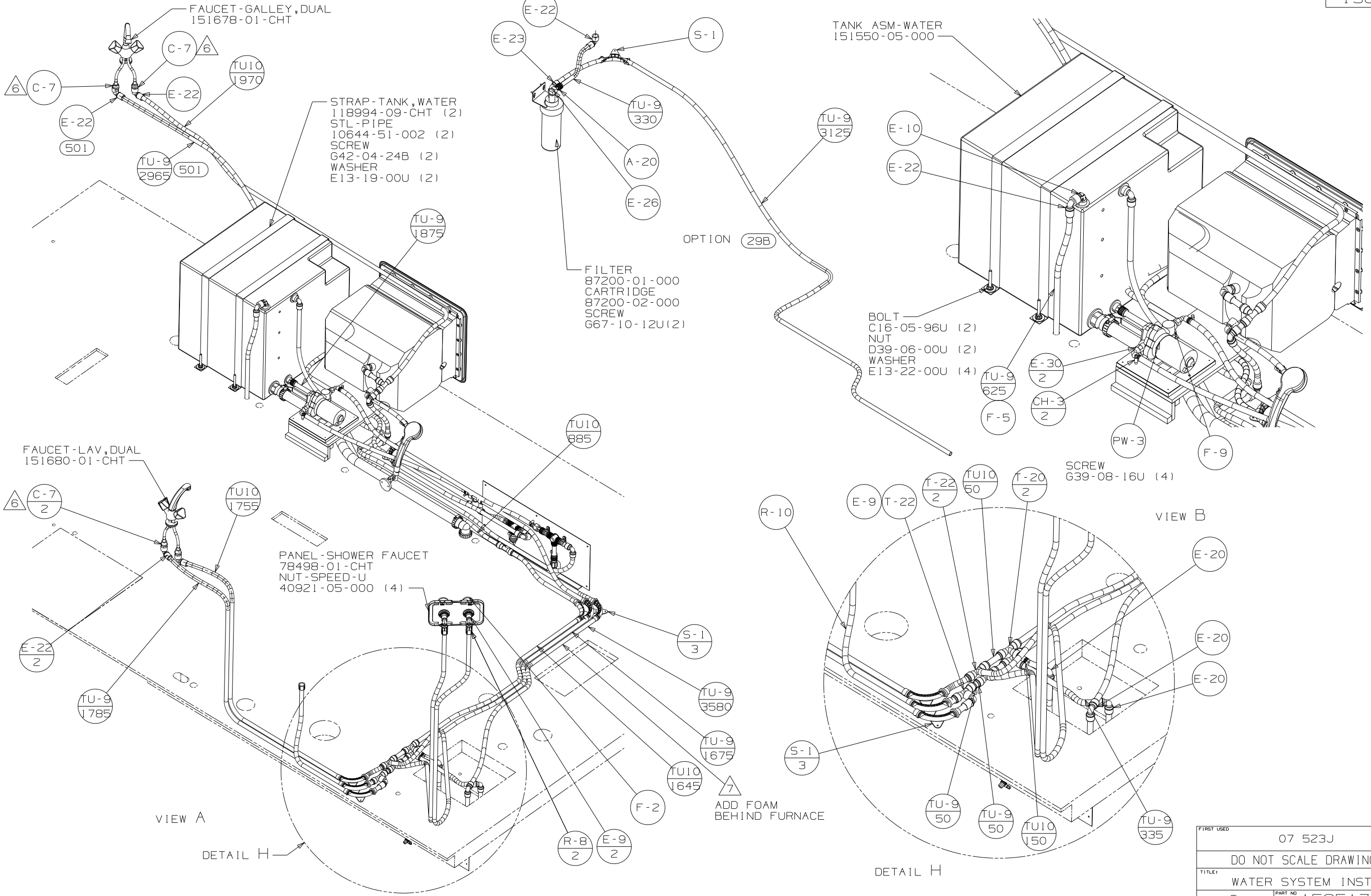
- (53E) WATER SYS WINTERIZATION PKG
- (53B) WTR HTR-6 GAL ELEC/LP GAS
- (42E) WATER SYS WINTERIZATION PKG
- (29B) WATER PURIFIER
- (50I) WATER PURIFIER WITHOUT
- (53F) WATER HEATER-ELEC, IGNITION
- (64R) EXTERIOR WASH STATION
- (1J4) EXT WASH STATION-WITHOUT

- 7 ADD PIPE WRAP INSULATION (LADDER SCRAP) 110157-02-000.
 - 6 INSTALL CONNECTOR WITH TAPERED END AWAY FROM FAUCET.
 - 5 ADD TEFLON TAPE 10405-01-000.
 - 4 ADD TEFLON TAPE 10405-02-000.
3. ALL TUBING TO BE SECURED AT 1200 INTERVALS MAXIMUM WITH CLAMP 10495-01-000 OR EQUIVALENT AND SCREW G67-10-12B, OR EQUIVALENT.
 2. TUBING TO BE INSTALLED WITH SUFFICIENT SLOPE TO PROVIDE DRAINAGE TO NEAREST VALVE.
 1. PLASTIC FITTINGS TO BE SEALED WITH SEALANT 84456-01-000.

NOTES:

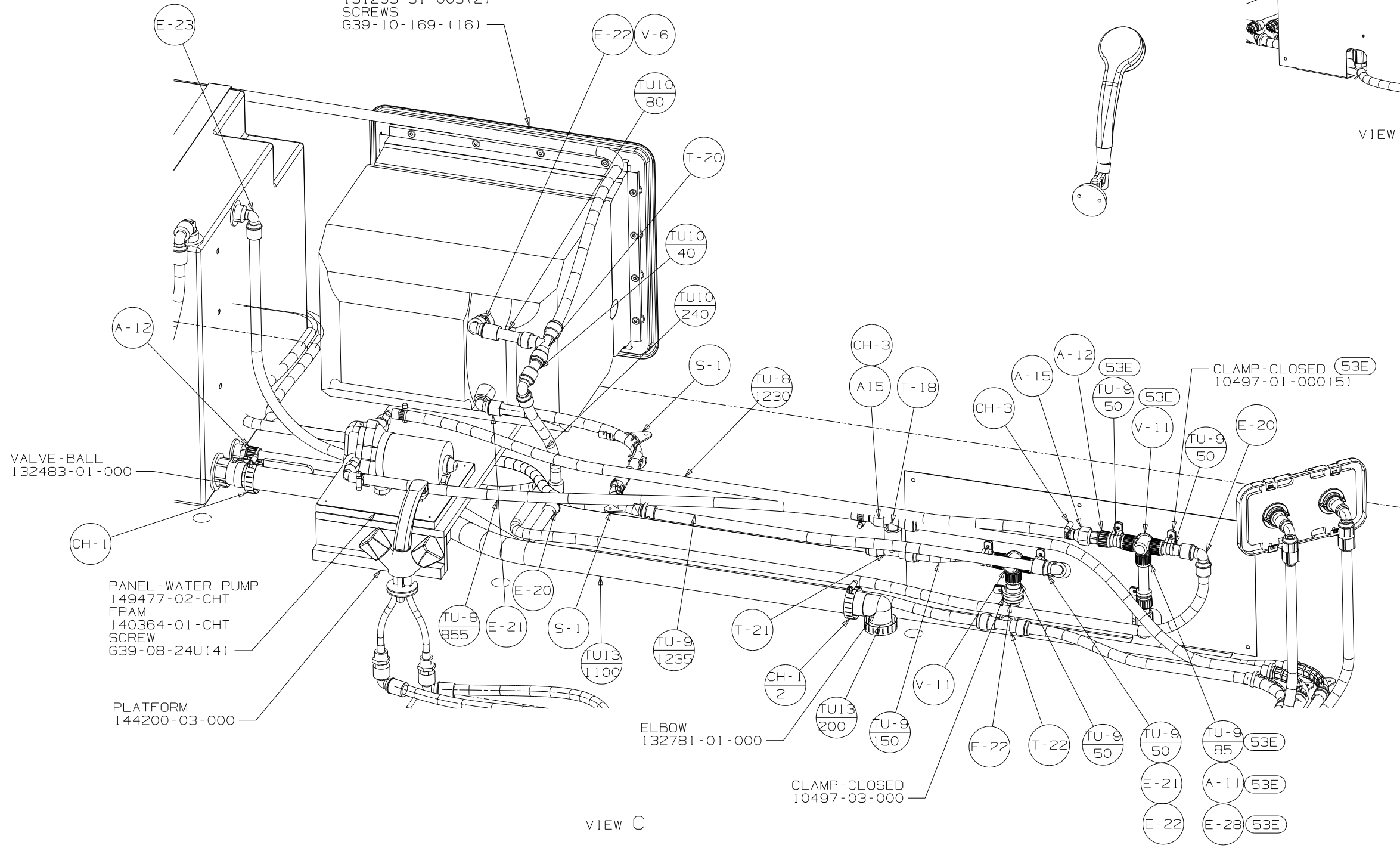
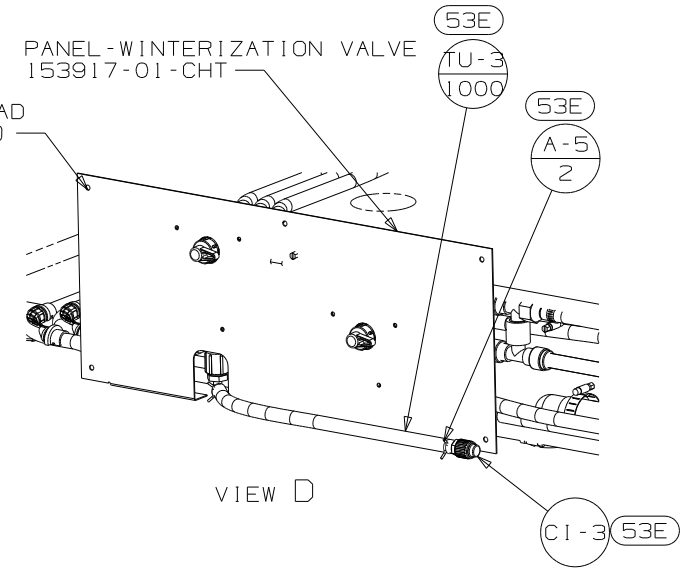
WINNEBAGO		COPYRIGHT 2006 WINNEBAGO INDUSTRIES, INC.	
DFTR	ORIG. DATE	ALL DIMENSIONS ARE IN MILLIMETERS	
CHKR		FIRST USED	
P.E.		07 523J	
M.E.		UNSPECIFIED TOLERANCES ARE:	
DSNR		MATERIAL:	
		WHOLE DIM (X)	: 3
		ONE-PLACE (X.X)	: 1.5
		TWO-PLACE (X.XX)	: 0.50
		ANGLE	: 1°
THIRD ANGLE PROJECTION		DO NOT SCALE DRAWING	
TITLE: WATER SYSTEM INSTL			
SHEET 1 OF 4	PART NO	158517	REV
REF:	12/15/2006		

(X-X)
FOR
WATER
CALLOUTS
SEE DWG NO
116230-01-000



FIRST USED	07 523J
TITLE	DO NOT SCALE DRAWING
TITLE	WATER SYSTEM INSTL
SHEET 2	PART NO 158517 REV

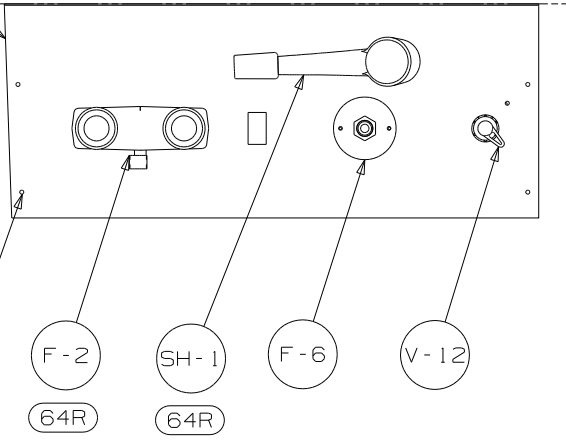
- 53F WATER HEATER
51391-03-000
- 53B DOOR
145541-02-000
- 78506-01-CHT
FLANGE
- 152239-01-CHT
CABLE
- 76767-03-000
SCREW
- G11-06-08U (2)
EXTR
- 151293-51-004(2)
EXTR
- 151293-51-005(2)
SCREWS
- G39-10-169-(16)



FIRST USED	07 523J
TITLE	DO NOT SCALE DRAWING
TITLE	WATER SYSTEM INSTL
SHEET 3	PART NO 158517 REV
	12/15/2006

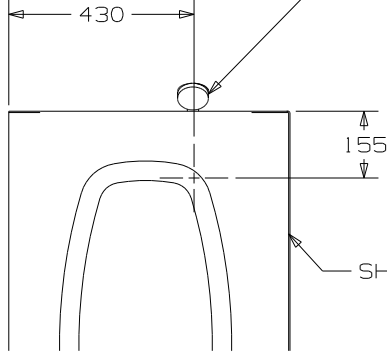
PANEL - SERVICE CENTER
151706-02-CHT

SCREW - PAN, HEAD
G39-10-08U(8)



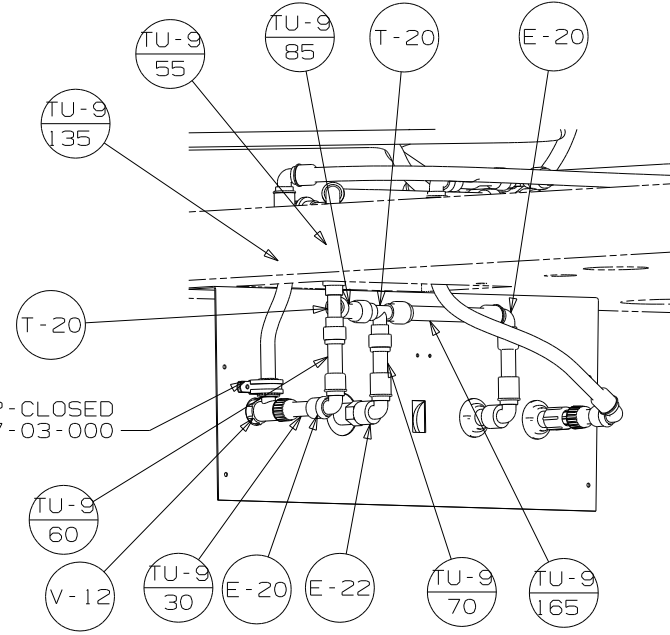
VIEW G

SHOWER HEAD - W/HOSE & BRKT
129390-04-CHT



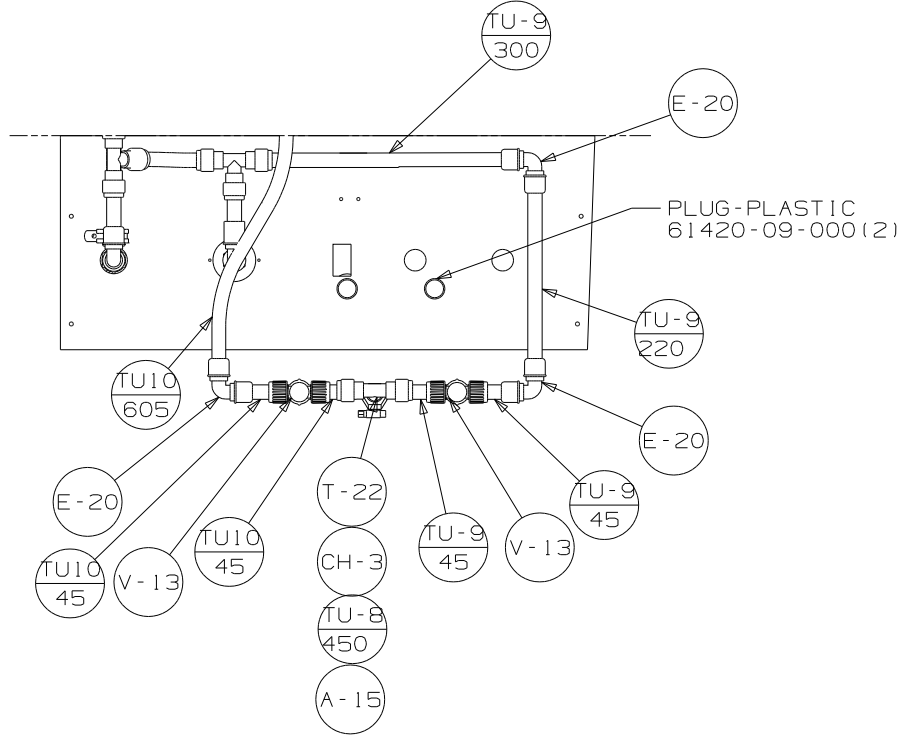
VIEW F

CLAMP - CLOSED
10497-03-000



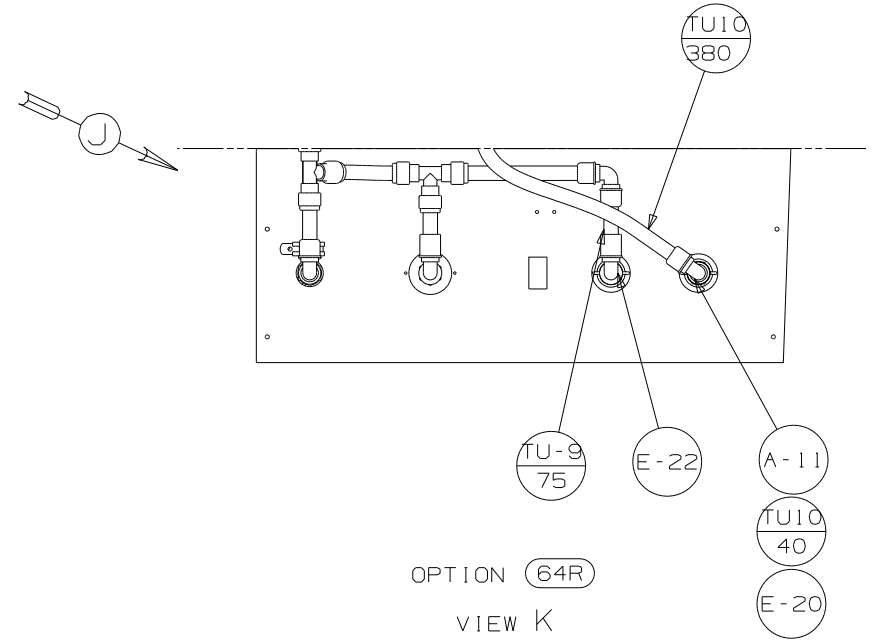
(SHOWN WITHOUT FLOOR)
(SHOWN WITH SHOWER OPTION)

VIEW J



OPTION (1J4)

VIEW K



OPTION (64R)

VIEW K

FIRST USED	07 523J
DO NOT SCALE DRAWING	
TITLE	WATER SYSTEM INSTL
SHEET 4	PART NO 158517 REV