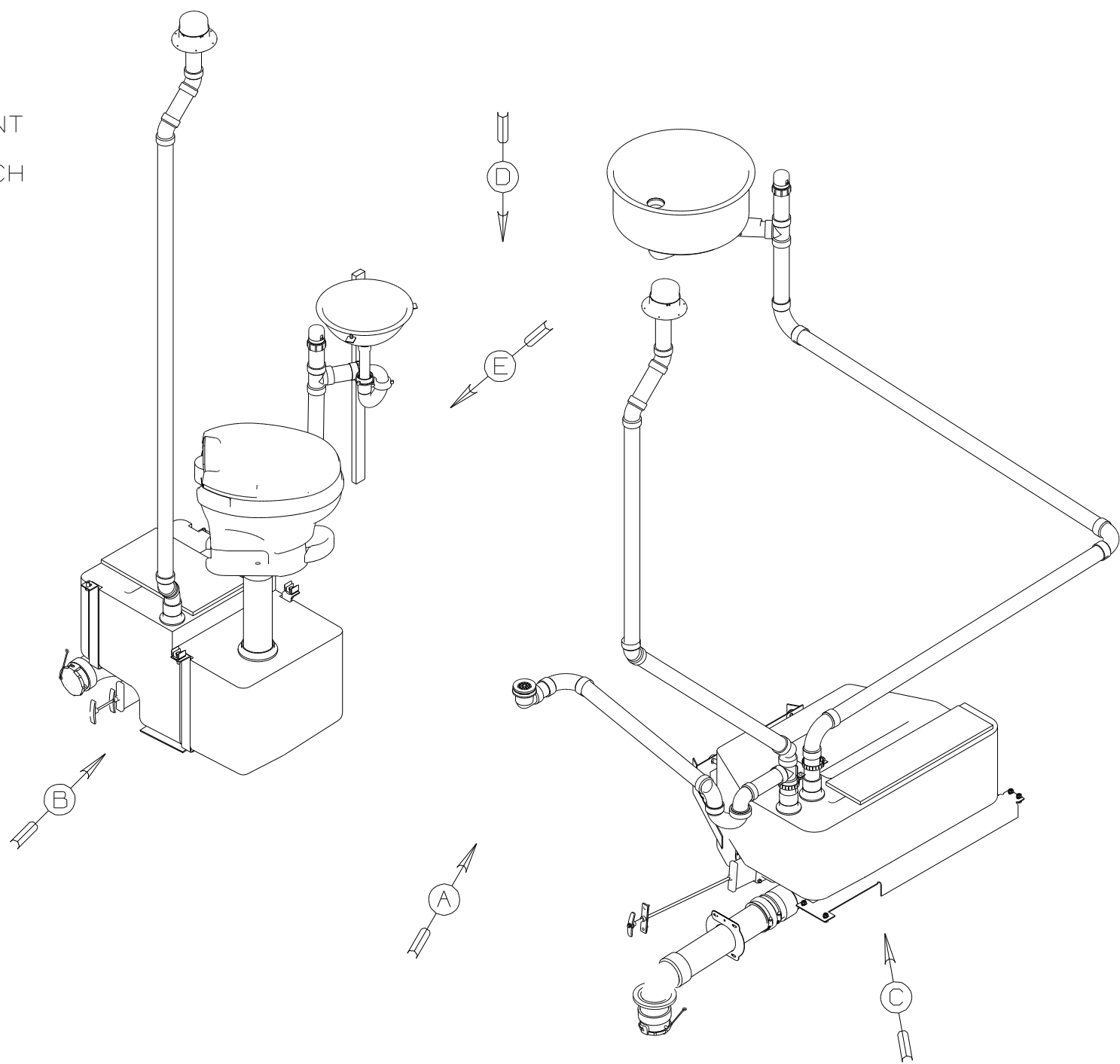


FRONT
OF
COACH



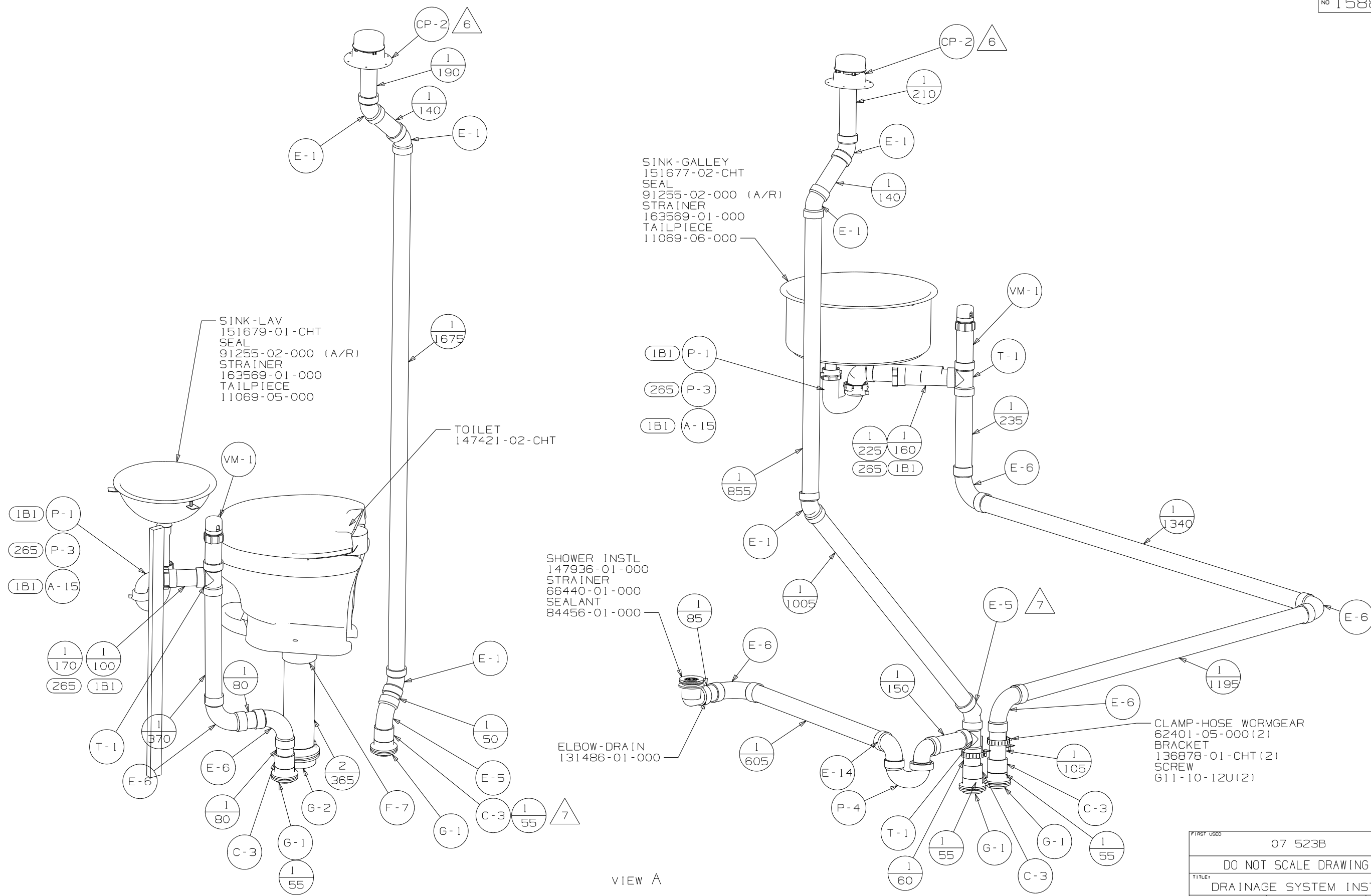
- (1B1) CODES/STANDARDS-USA
- (265) CODES/STANDARDS-CSA/CMVSS
- (1JD) DRAINAGE SYSTEM-HEATED-W/O
- (23T) DRAINAGE SYSTEM-HEATED

- 8 SECURE PIPES TO CABINET USING WIRE TIE 108046-02-000, AND SCREW G67-10-12B.
- 7 SECURE VENT TUBES TO FLOOR WITH CLAMP 62401-02-000 (2), SCREW G67-10-12B (2), BRACKET 136878-01-CHT (2).
- 6 VENT PIPE MUST PROJECT 51 MIN AND 64 MAX ABOVE ROOF FOR PROPER FIT AND FUNCTION.
- 5. SEAL AROUND SHOWER WITH SILICONE.
- 4. ALL EXTERIOR OPENINGS AROUND PIPE TO BE SEALED WITH 131264-03-000.
- 3. ALL PIPE AND FITTINGS TO BE ASSEMBLED WITH SOLVENT 4020-01-000 (USA), 4020-02-000 (CAN)
- 2. SLOPE OF TRAP ARM MUST BE 6 PER 305 mm.
- 1. SLOPE OF HORIZONTAL PIPING TO BE MIN 3 PER 305 mm.

NOTES:

WINNEBAGO		COPYRIGHT 2007 WINNEBAGO INDUSTRIES, INC.	
DFT	ORIG. DATE	ALL DIMENSIONS ARE IN MILLIMETERS	
CHKR		FIRST USED	
P.E.		07 523B	
M.E.		UNSPECIFIED TOLERANCES ARE:	
DSNR		MATERIAL:	
		WHOLE DIM (X)	: 3
		ONE-PLACE (X.X)	: 1.5
		TWO-PLACE (X.XX)	: 0.50
		ANGLE	: 1°
THIRD ANGLE PROJECTION		DO NOT SCALE DRAWING	
TITLE: DRAINAGE SYSTEM INSTL			
SHEET 1 OF 4	PART NO	158816	REV

(X-X)
FOR
DRAINAGE
CALLOUTS
SEE DWG NO
116229-01-000



SINK-GALLEY
 151677-02-CHT
 SEAL
 91255-02-000 (A/R)
 STRAINER
 163569-01-000
 TAILPIECE
 11069-06-000

SINK-LAV
 151679-01-CHT
 SEAL
 91255-02-000 (A/R)
 STRAINER
 163569-01-000
 TAILPIECE
 11069-05-000

TOILET
 147421-02-CHT

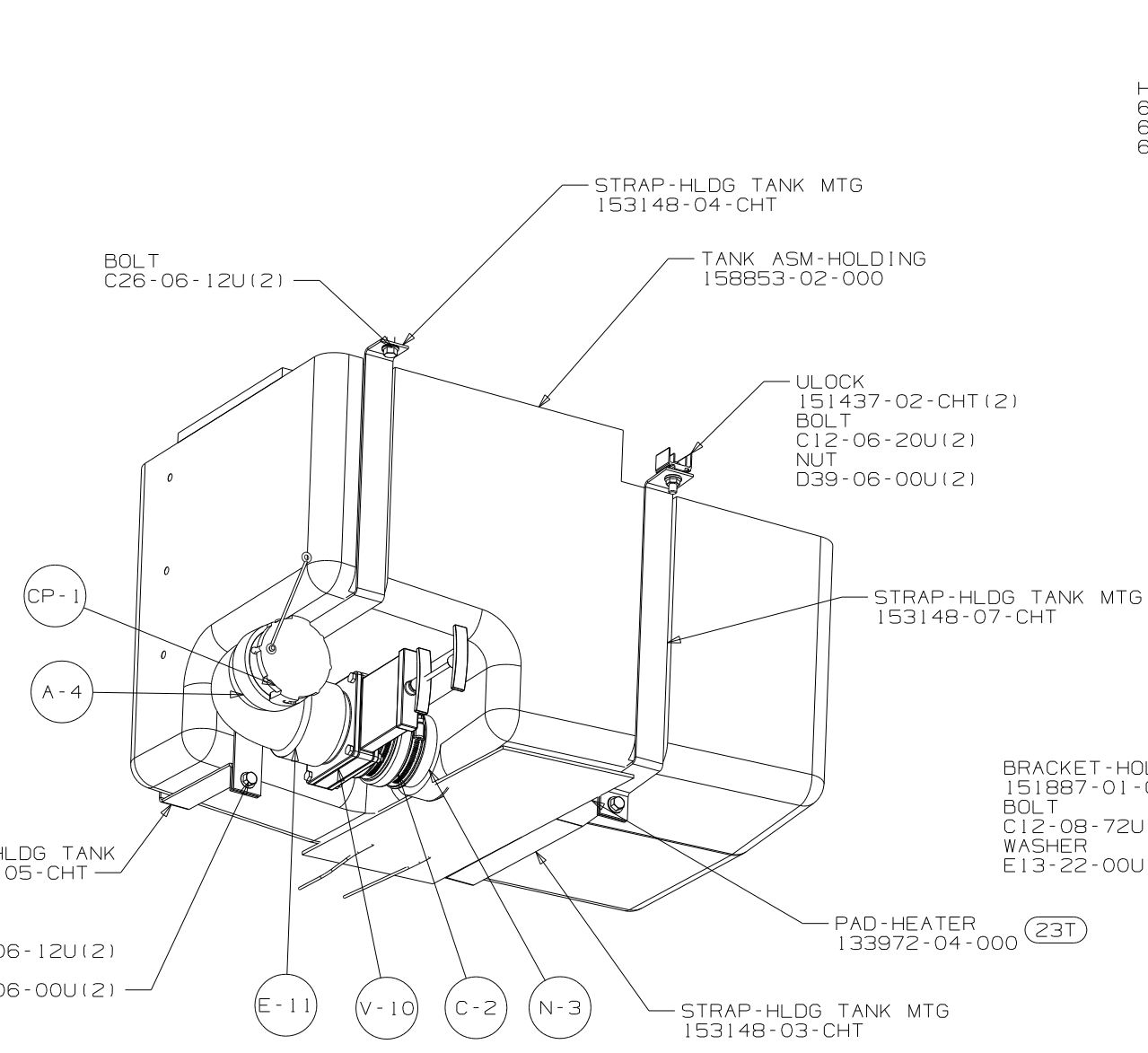
SHOWER INSTL
 147936-01-000
 STRAINER
 66440-01-000
 SEALANT
 84456-01-000

ELBOW-DRAIN
 131486-01-000

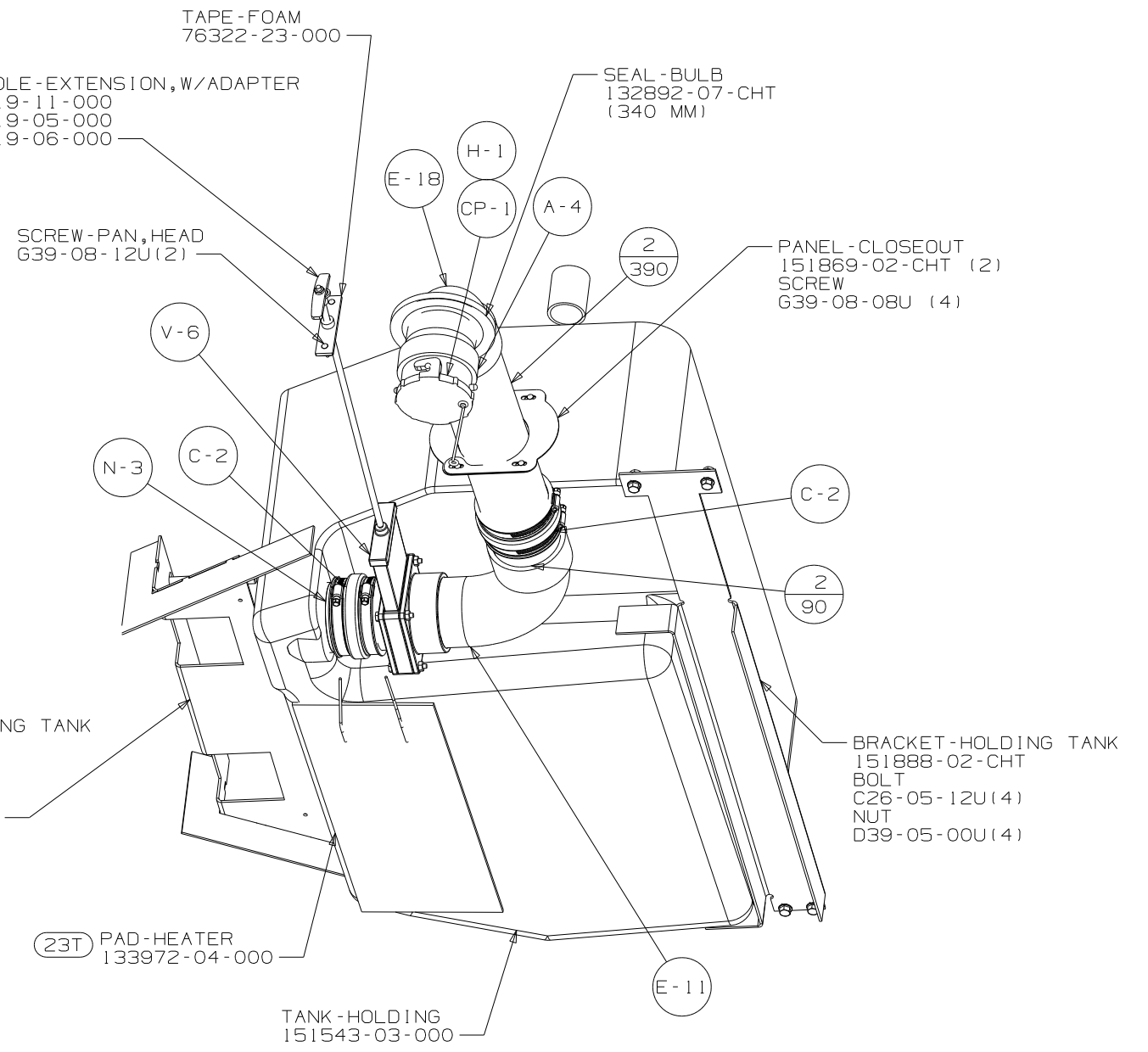
CLAMP-HOSE WORMGEAR
 62401-05-000 (2)
 BRACKET
 136878-01-CHT (2)
 SCREW
 G11-10-12U (2)

VIEW A

FIRST USED	07 523B	
DO NOT SCALE DRAWING		
TITLE	DRAINAGE SYSTEM INSTL	
SHEET 2	PART NO	158816
REV		



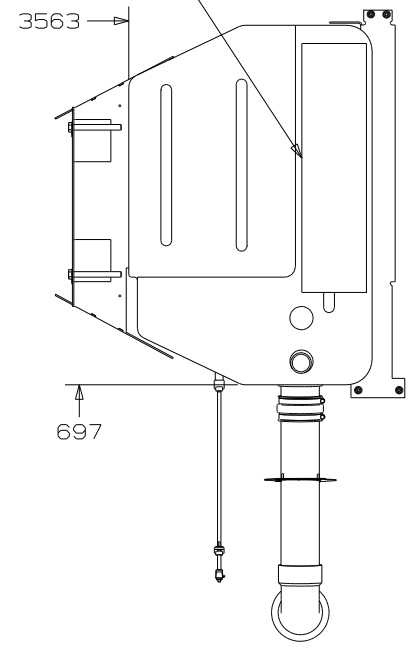
VIEW B



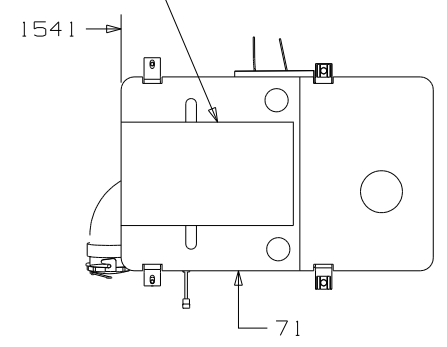
VIEW C

FIRST USED	07 523B		
TITLE	DO NOT SCALE DRAWING		
	DRAINAGE SYSTEM INSTL		
SHEET 3	PART NO	158816	REV
			1 1/8/2007

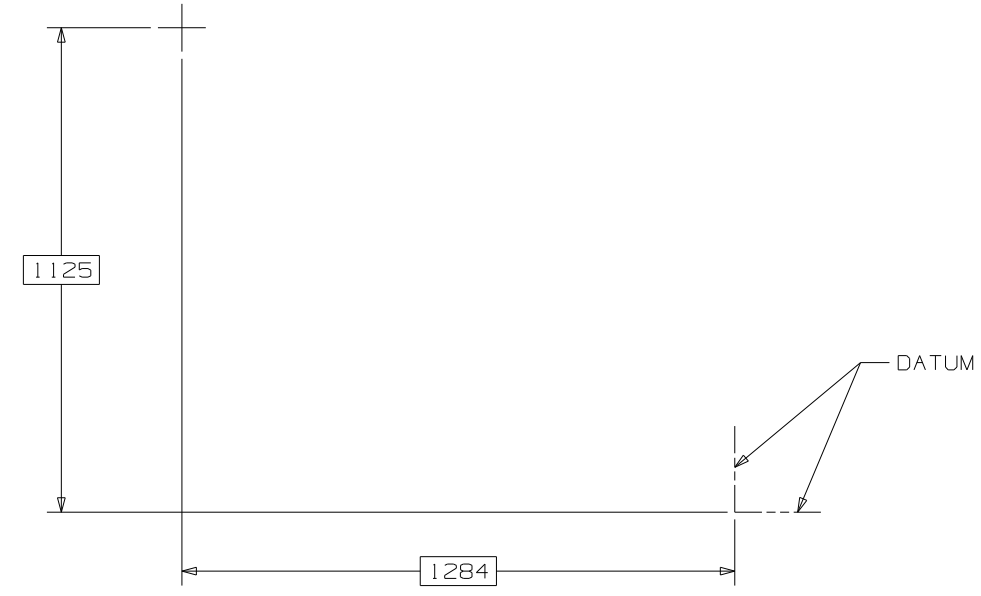
INSULATION-DRAINAGE COMPT
120050-45-000



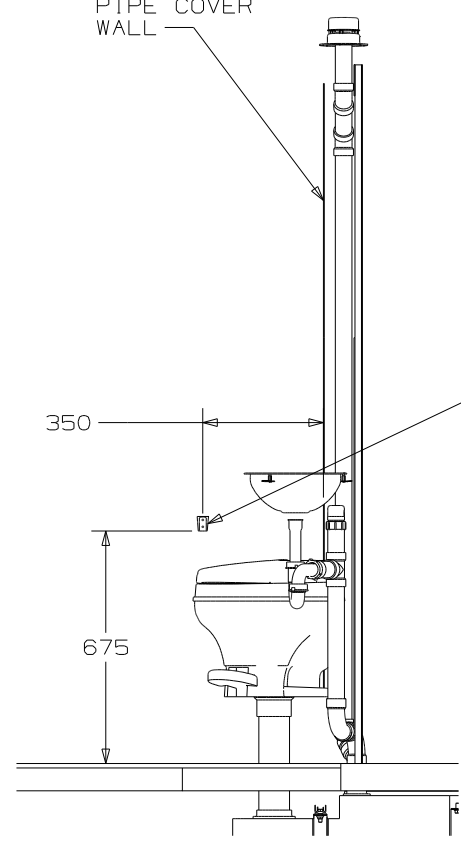
INSULATION-DRAINAGE COMPT
120050-53-000



VIEW D

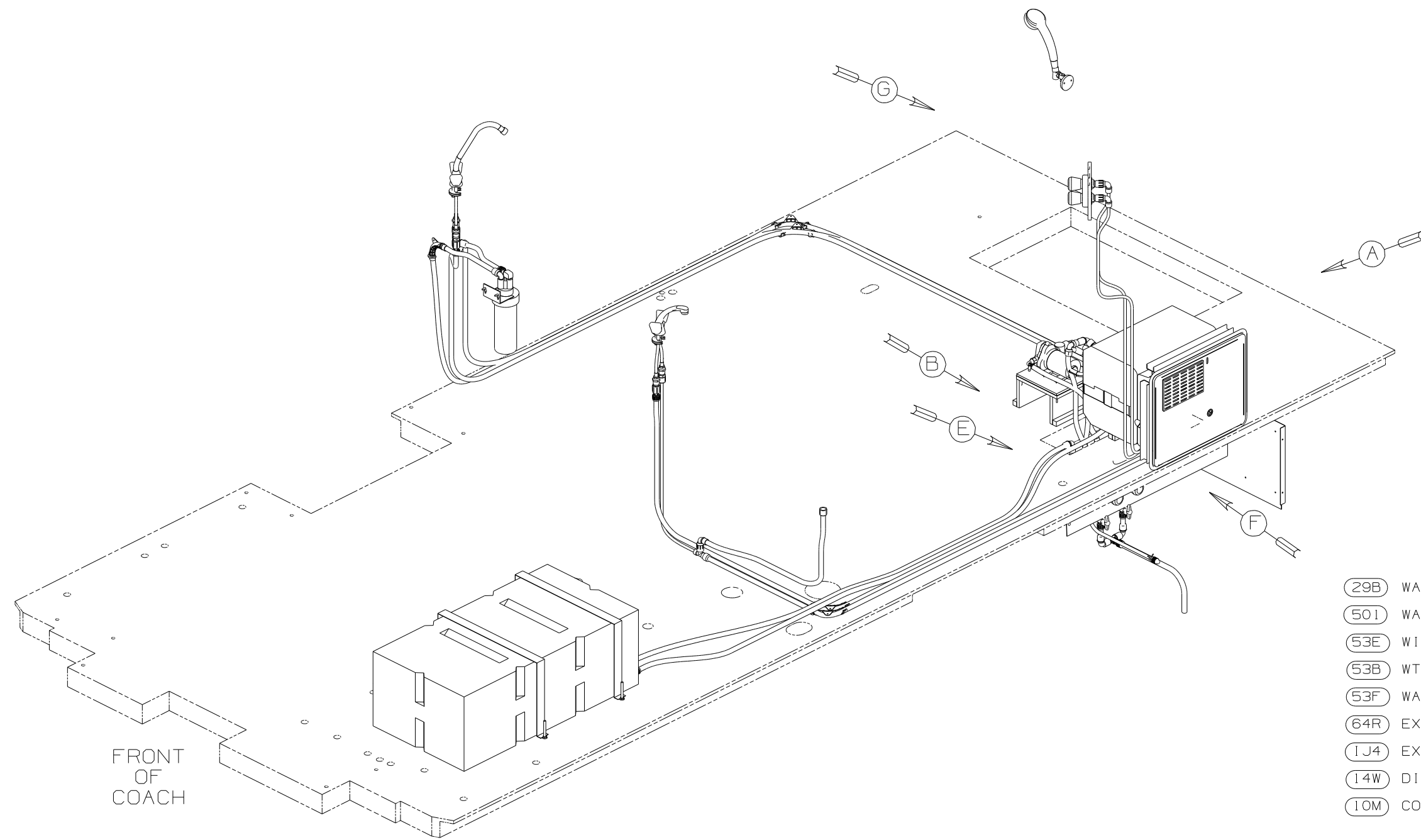


PIPE COVER WALL



VIEW E

FIRST USED	07 523B	
TITLE	DO NOT SCALE DRAWING	
	DRAINAGE SYSTEM INSTL	
SHEET 4	PART NO 158816	REV



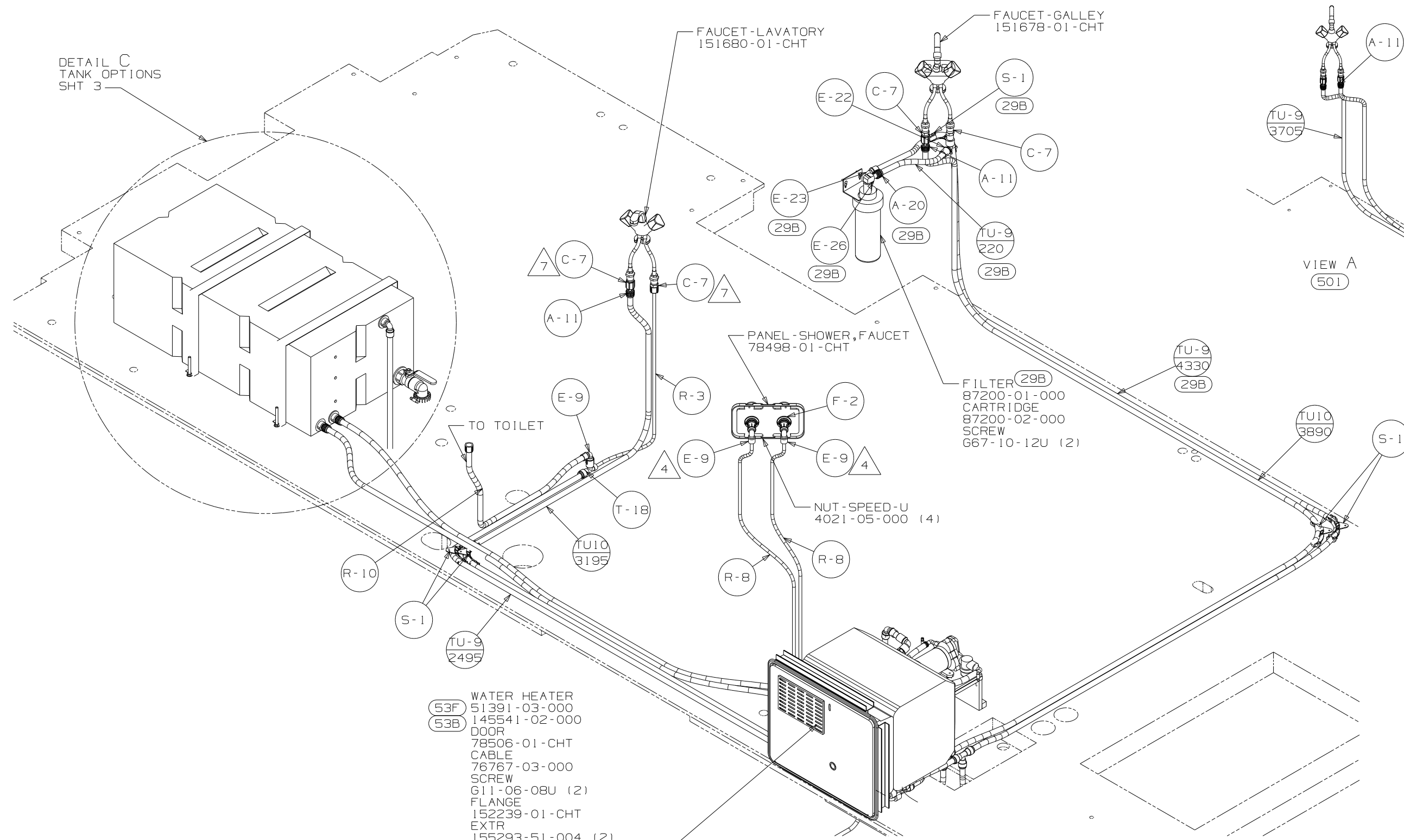
FRONT OF COACH

- (29B) WATER PURIFIER
- (501) WATER PURIFIER W/O
- (53E) WINTERIZING PKG
- (53B) WTR HTR-6 GAL ELECTRIC/LP GAS
- (53F) WATER HEATER-ELEC IGN
- (64R) EXT WASH STATION
- (1J4) EXT WASH STATION W/O
- (14W) DINETTE
- (10M) COUCH

- NOTES:
1. PLASTIC FITTINGS TO BE SEALED WITH SEALANT 84456-01-000.
 2. TUBING TO BE INSTALLED WITH SUFFICIENT SLOPE TO PROVIDE DRAINAGE TO NEAREST VALVE.
 3. ALL TUBING TO BE SECURED AT 1200 INTERVALS MAXIMUM WITH CLAMP 10495-01-000 AND SCREW G67-10-12B OR EQUIVALENT.
 4. ADD TEFLON TAPE 10405-01-000.
 5. ADD TEFLON TAPE 10405-02-000.
 6. ADD TEFLON TAPE 10405-03-000.
 7. INSTALL CONNECTOR WITH TAPERED END AWAY FROM FAUCET.

(X-X)
FOR WATER CALLOUTS SEE DWG NO 116230-01-000

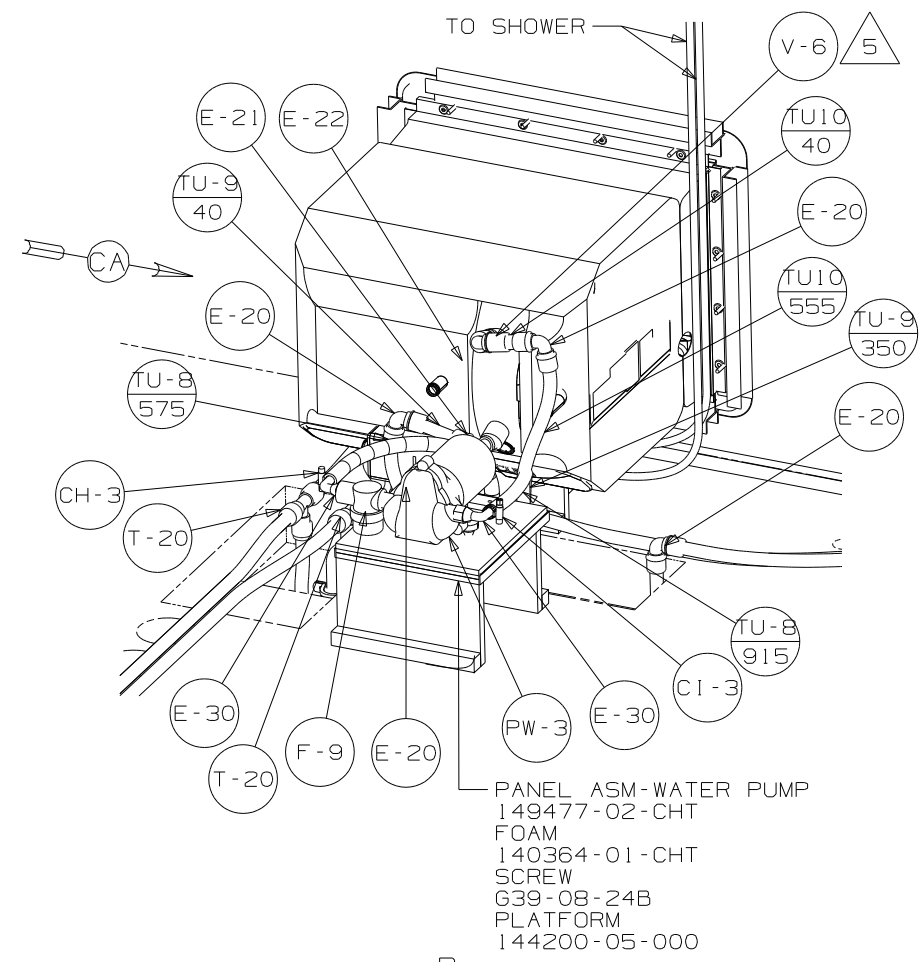
WINNEBAGO		COPYRIGHT 2006 WINNEBAGO INDUSTRIES, INC.	
DFTR	ORIG. DATE	ALL DIMENSIONS ARE IN MILLIMETERS	
CHKR		FIRST USED	
P.E.		07 523B	
M.E.		UNSPECIFIED TOLERANCES ARE:	
DSNR		MATERIAL:	
		WHOLE DIM (X)	: 3
		ONE-PLACE (X.X)	: 1.5
		TWO-PLACE (X.XX)	: 0.50
		ANGLE	: 1°
THIRD ANGLE PROJECTION		DO NOT SCALE DRAWING	
TITLE: WATER SYSTEM INSTL			
SHEET 1 OF 4	PART NO	158857	REV
REF:	1 9/13/2006		



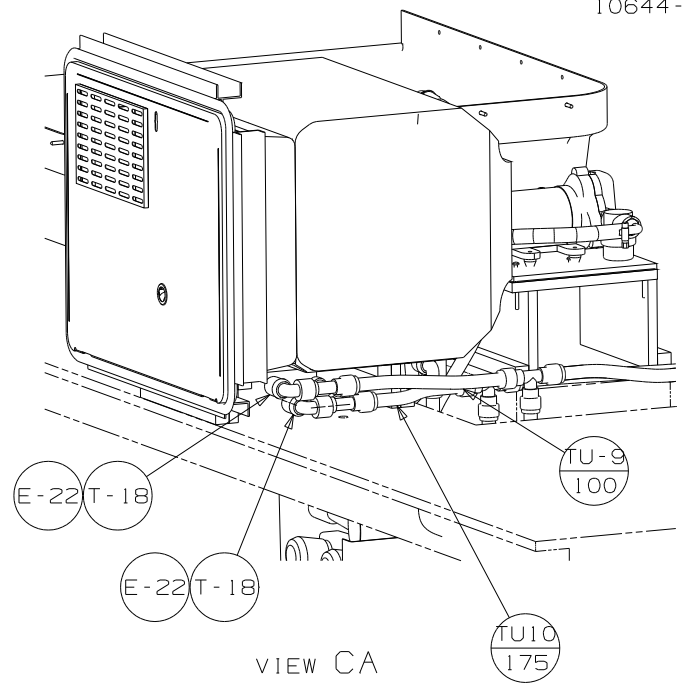
- (53F) WATER HEATER 51391-03-000
- (53B) DOOR 145541-02-000
- 78506-01-CHT CABLE
- 76767-03-000 SCREW
- G11-06-08U (2) FLANGE
- 152239-01-CHT EXTR
- 155293-51-004 (2) EXTR
- 151293-51-005 (2) SCREW
- G69-10-169 (16) PLATFORM
- 144200-04-000

FIRST USED	07 523B
TITLE	DO NOT SCALE DRAWING
SHEET 2	WATER SYSTEM INSTL
PART NO	158857
REV	1 9/13/2006

VIEW A

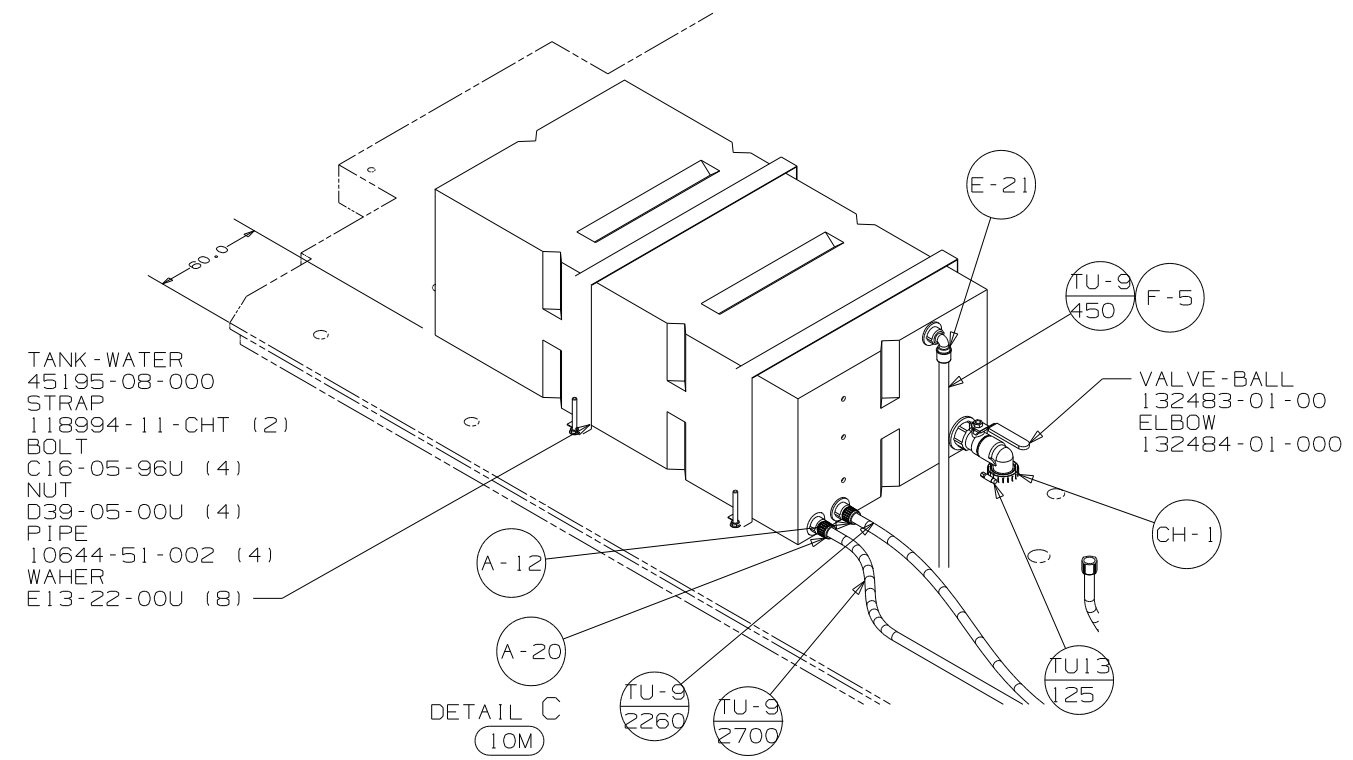
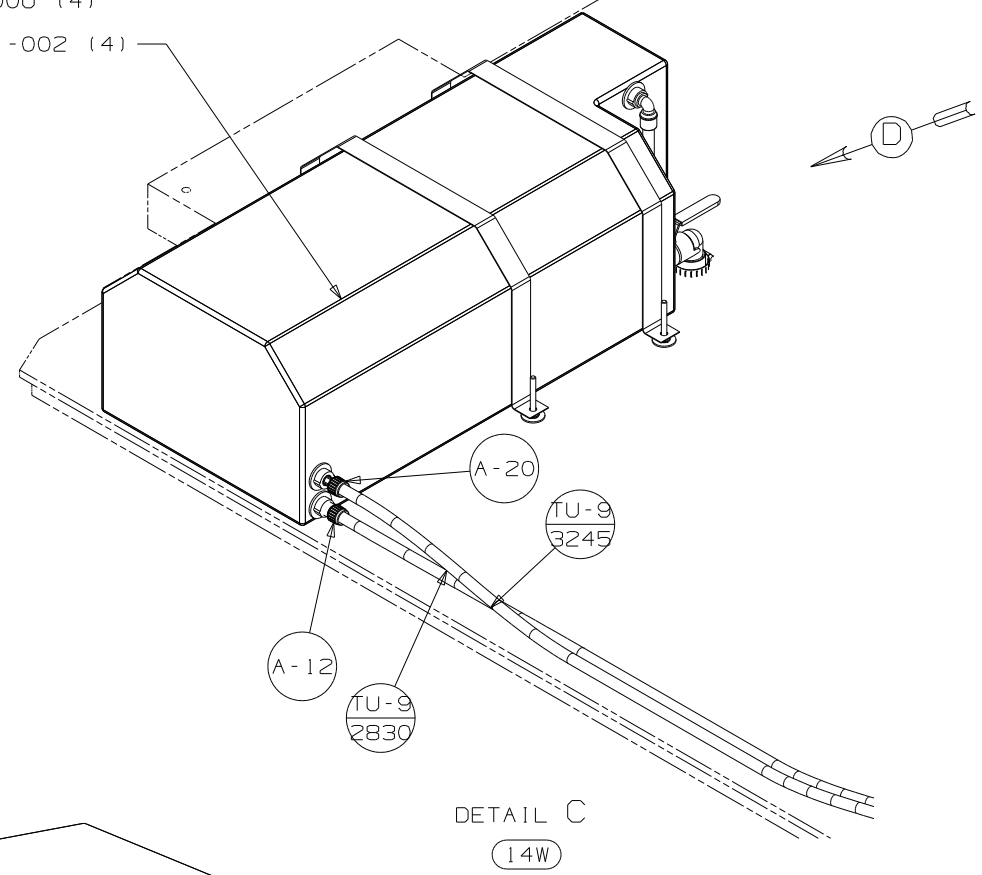


VIEW B

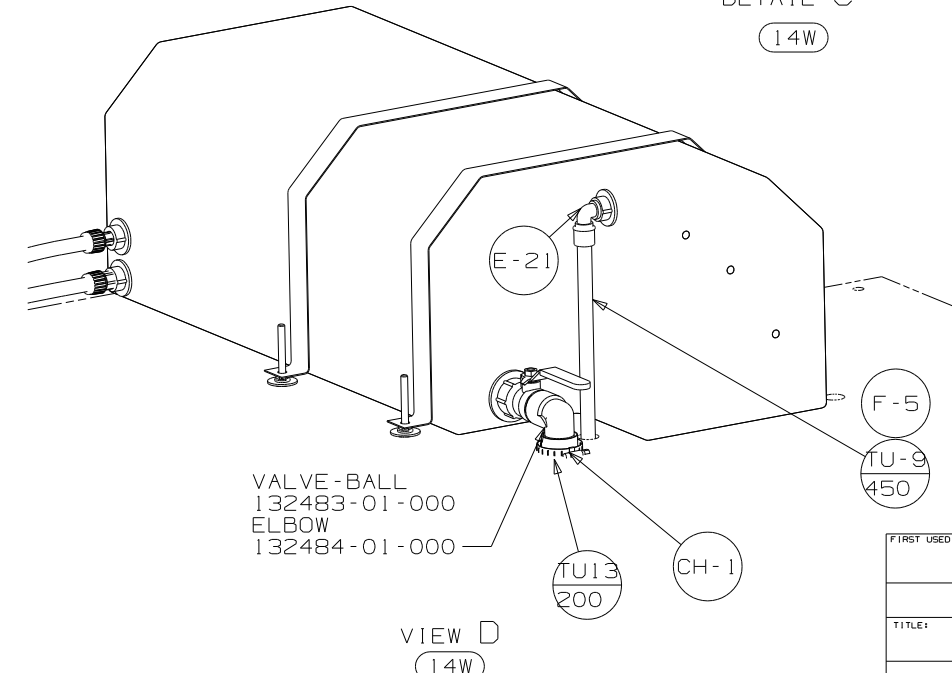


VIEW CA

- TANK - WATER
159338-02-000
- STRAP - TANK, WATER
118994-12-CHT (2)
- BOLT
C16-05-96U (4)
- WASHER
E13-22-00U (8)
- NUT
D39-05-00U (4)
- PIPE
10644-51-002 (4)



DETAIL C



VIEW D

- TANK - WATER
45195-08-000
- STRAP
118994-11-CHT (2)
- BOLT
C16-05-96U (4)
- NUT
D39-05-00U (4)
- PIPE
10644-51-002 (4)
- WAHER
E13-22-00U (8)

FIRST USED	07 523B
DO NOT SCALE DRAWING	
TITLE	WATER SYSTEM INSTL
SHEET 3	PART NO 158857 REV

