



**DANGER**

**Danger of electrical shock, burns or death.** Always remove all power sources before attempting any repair, service or diagnostic work. Power can be present from shore power, generator, inverter or battery. All power sources must be disabled and secured before performing any service.

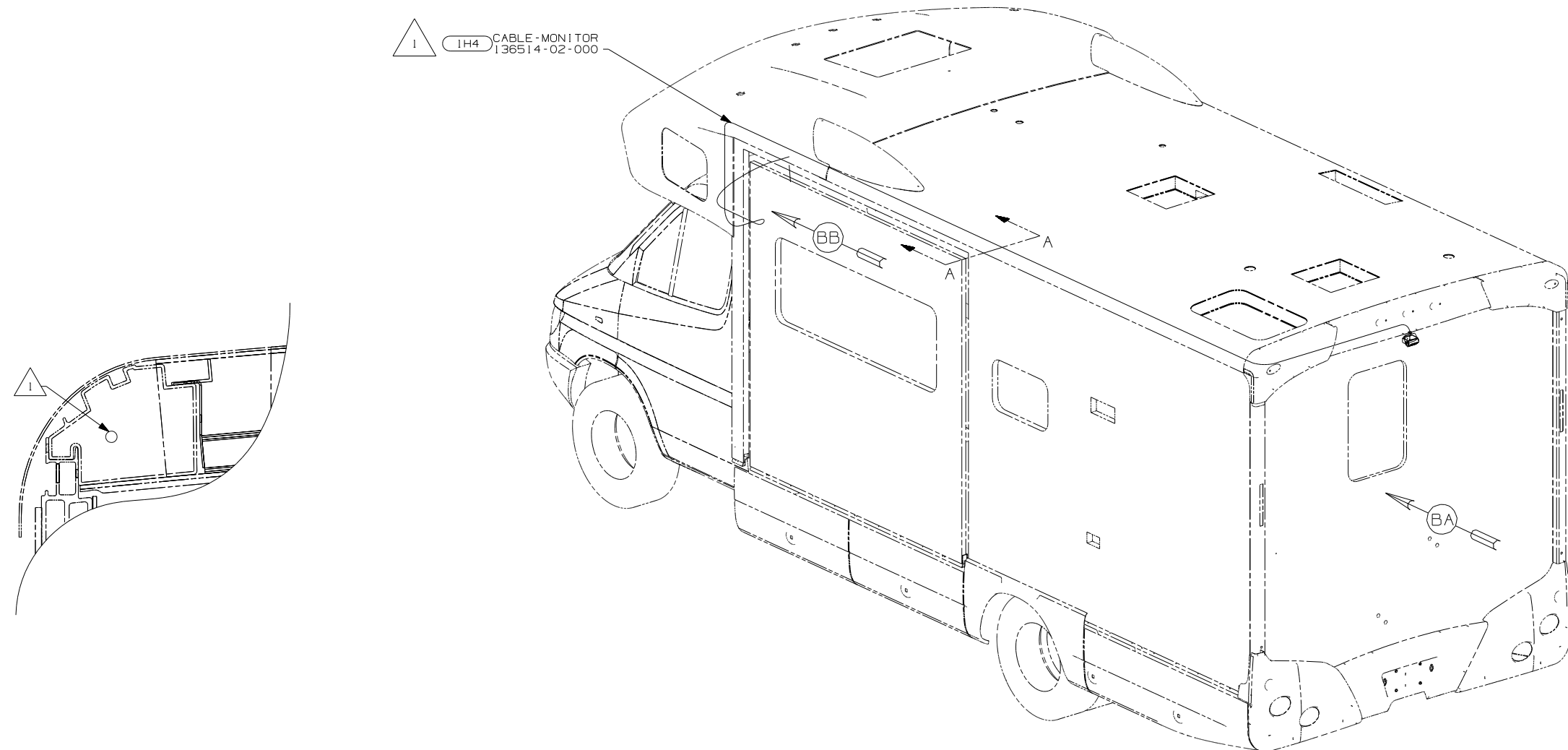


**CAUTION**

If you lack the skills, tools or equipment to perform diagnostic or repair work leave such work to an authorized Winnebago Industries dealer or other qualified shop.

8 7 6 5 4 3 2 1

RELEASE	REV DATE	DWG NO
A		156334
REV ZONE	REVISION RECORD	DATE DFR-ORIG



- 74J REARVIEW MONITOR SYS W/AUDIO
- 1H4 REARVIEW MONITOR-WIRE PREP

1 RUN MONITOR CABLE IN ROOF COVE ON LEFT SIDE OF COACH.

X-X FOR ELECTRICAL CALLOUTS SEE DWG NO. 121339-01-000

**WINNEBAGO** COPYRIGHT 2006 WINNEBAGO INDUSTRIES, INC.

DFTR	ORIG. DATE
CHKR	ALL DIMENSIONS ARE IN MILLIMETERS
P.E.	
M.E.	FIRST USED
DSNR	07 500 SER

UNSPECIFIED TOLERANCES ARE: MATERIAL:

WHOLE DIM (X)	:
ONE-PLACE (X.X)	:
TWO-PLACE (X.XX)	:
ANGLE	:

THIRD ANGLE PROJECTION

DO NOT SCALE DRAWING

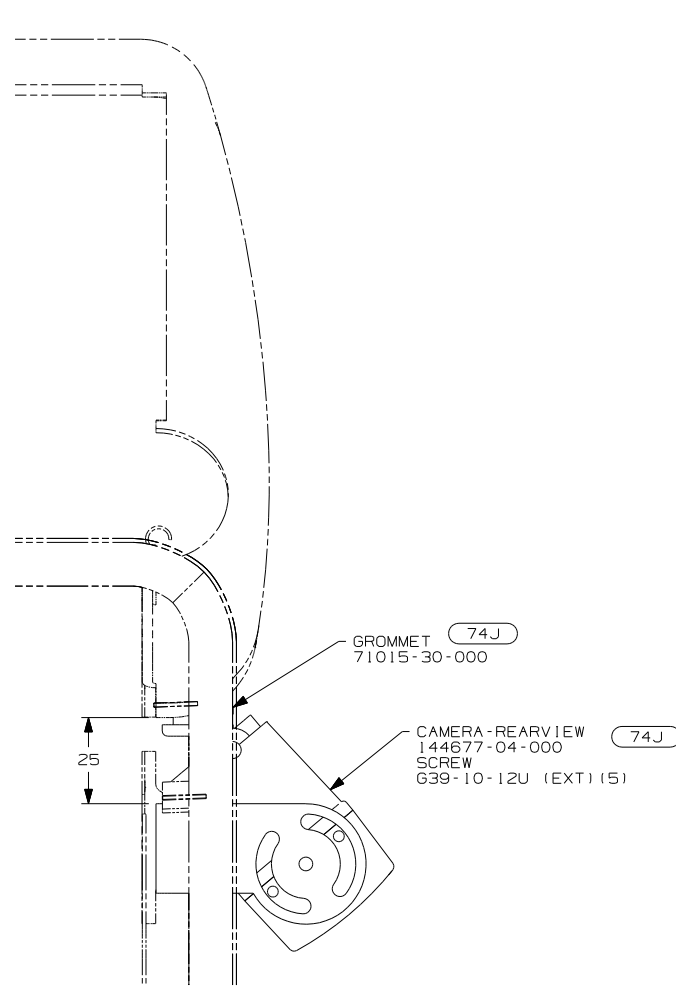
TITLE: MONITOR INSTL

SHEET 1 OF 2 PART NO 156334 REV

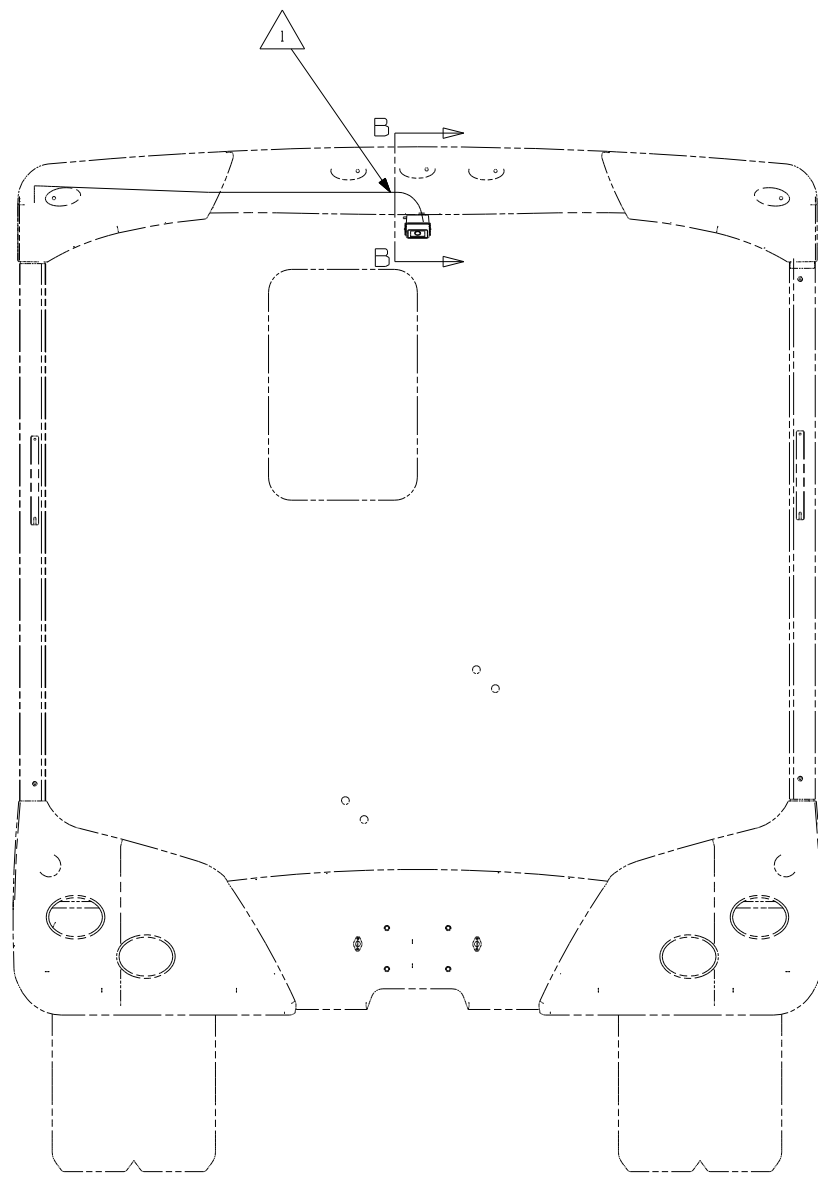
REF: 1 11/23/2006

NOTES:

8 7 6 5 4 3 2 1

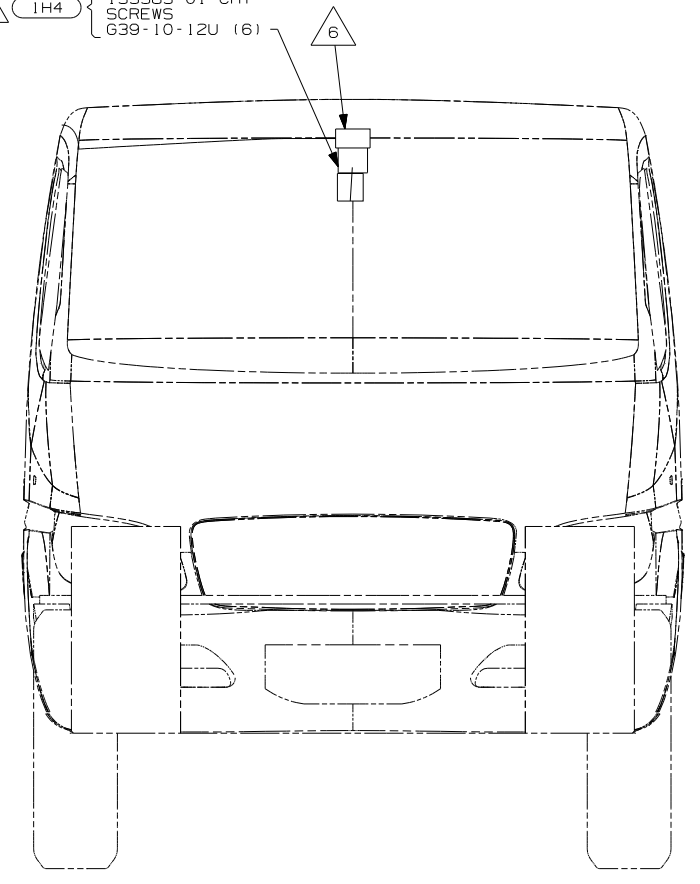


SECTION B-B



VIEW BA

- △ 5 △ 3 △ 2 (74J) TELEVISION SYST-REAR VIEW  
136514-07-000  
GROMMET  
71015-22-000
- △ 4 (1H4) BRACKET-MONITOR  
153383-01-CHT  
SCREWS  
639-10-12U (6)



VIEW BB

- △ 6 MOUNT ADAPTER BOX BEHIND TRIM PANEL WITH FASTENER-DUAL LOCK 85774-01-000 (100mm) & 85774-02-000 (100mm).
- △ 5 CONNECT REAR MONITOR CABLE TO A/VI WIRE IN ADAPTER BOX.
- △ 4 MONITOR BRACKET MOUNTING SCREWS TO BE SCREWED INTO INNER WINDSHIELD HEADER AS FAR TO THE PASSENGER SIDE AS ALLOWED BY THE HOLE IN THE HEADER TRIM PANEL.
- △ 3 PLUG 3 PIN POWER HARNESS AND REAR MONITOR CABLE INTO REAR MONITOR ASSEMBLY.
- △ 2 USE SCREWS SUPPLIED WITH TELEVISION SYSTEM TO MOUNT MONITOR TO HEADLINER.
- △ 1 END CABLE IN THIS AREA ON UNITS WITHOUT MONITOR W/ (1H4).

NOTES:

- (74J) REARVIEW MONITOR SYS W/AUDIO
- (1H4) REARVIEW MONITOR-WIRE PREP

FOR ELECTRICAL TORQUE SPECIFICATIONS SEE DWG NO. 128783-01-000

(X-X) FOR ELECTRICAL CALLOUTS SEE DWG NO. 121339-01-000

FIRST USED	07 500 SER	
TITLE:	DO NOT SCALE DRAWING	
	MONITOR INSTL	
SHEET 2	PART NO	156334
	REV	