

- (23T) DRAINAGE SYSTEM-HEATED
- (1B1) CODES/STANDARDS-USA
- (265) CODES/STANDARDS-CSA/CMVSS
- (464) TOILET

- NOTES:
8. SEE WIRING INSTL-BODY, 12V FOR ELECTRICAL CONNECTION.
 7. SECURE VENT TUBES TO FLOOR WITH CLAMP 62401-02-000 (2), SCREW G67-10-12B (2), BRACKET 136878-01-CHT (2).
 6. VENT PIPE MUST PROJECT 51 MIN AND 64 MAX ABOVE ROOF FOR PROPER FIT AND FUNCTION.
 5. SEAL AROUND SHOWER WITH SILICONE.
 4. ALL EXTERIOR OPENINGS AROUND PIPE TO BE SEALED WITH 131264-03-000.
 3. ALL PIPE AND FITTINGS TO BE ASSEMBLED WITH SOLVENT 4020-01-000 (USA), 4020-02-000 (CAN)
 2. SLOPE OF TRAP ARM MUST BE 6 PER 305 mm.
 1. SLOPE OF HORIZONTAL PIPING TO BE MIN 3 PER 305 mm.

FOR DRAINAGE CALLOUTS SEE DWG NO 116229-01-000

| | | | |
|------------------------------|--------------|---|--------|
| WINNEBAGO | | COPYRIGHT 2006 WINNEBAGO INDUSTRIES, INC. | |
| DFTR | ORIG. DATE | ALL DIMENSIONS ARE IN MILLIMETERS | |
| CHKR | | FIRST USED | |
| P.E. | | 07 229T | |
| M.E. | | UNSPECIFIED TOLERANCES ARE: | |
| DSNR | | MATERIAL: | |
| | | WHOLE DIM (X) | : 3 |
| | | ONE-PLACE (X.X) | : 1.5 |
| | | TWO-PLACE (X.XX) | : 0.50 |
| | | ANGLE | : 1° |
| THIRD ANGLE PROJECTION | | DO NOT SCALE DRAWING | |
| TITLE: DRAINAGE SYSTEM INSTL | | | |
| SHEET 1 OF 3 | PART NO | 157031 | REV |
| REF: | 1 12/18/2006 | | |

- SINK-DBL,L/S BASIN
148870-01-CHT
- STRAINER
92303-01-000 (2)
- BRACKET
140002-01-CHT (8)
- SCREW
G67-10-08B (8)
- SEAL
(A/R)

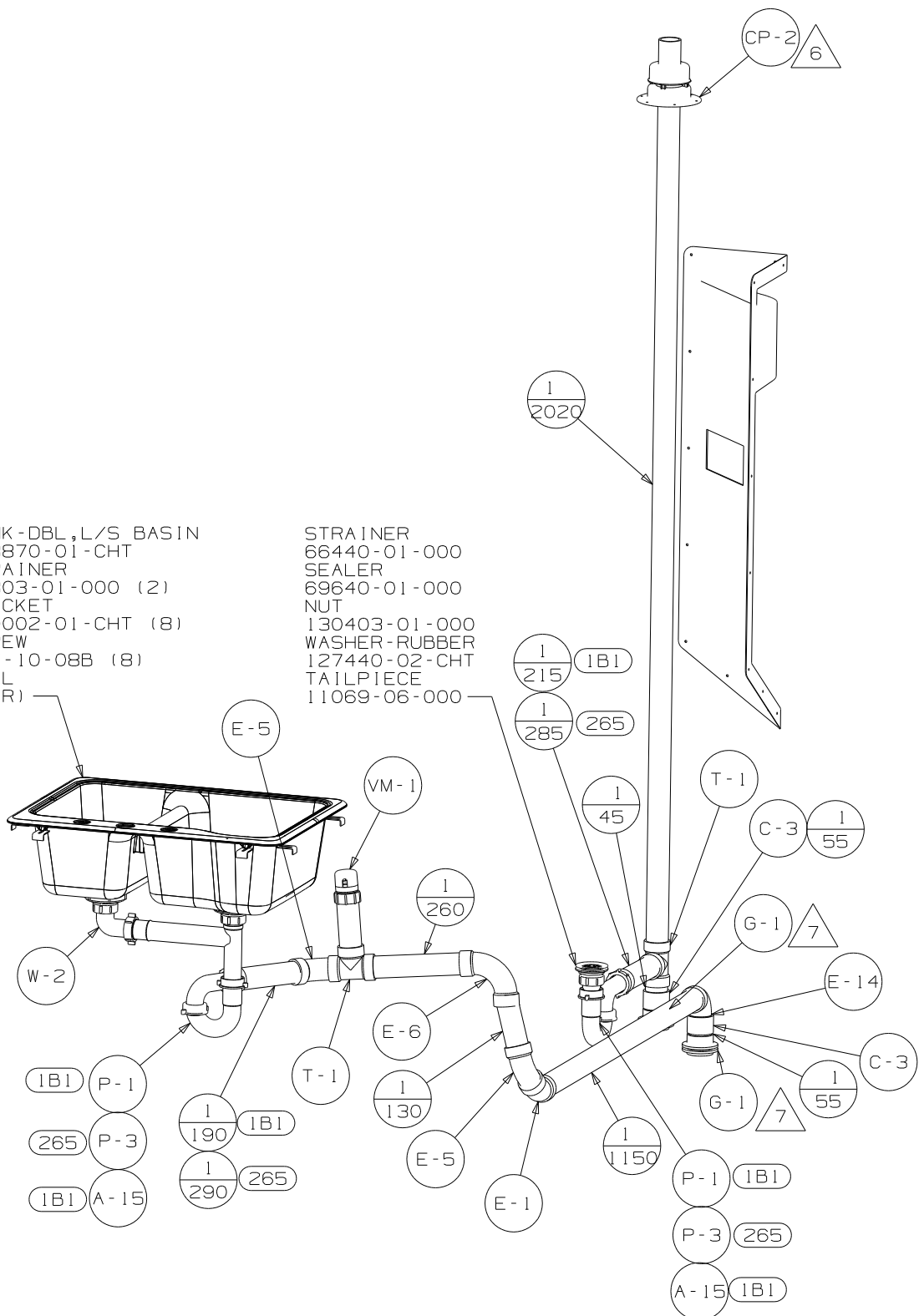
- STRAINER
66440-01-000
- SEALER
69640-01-000
- NUT
130403-01-000
- WASHER-RUBBER
127440-02-CHT
- TAILPIECE
11069-06-000

- CADDY-SHOWER
105707-01-CHT
- SCREW
G11-08-12U (8)
- G39-08-12U (8)
- COVER
78500-01-CHT (16)
- RETAINER
113714-02-CHT
- SCREW
G11-08-12U
- G39-08-12U
- COVER
78500-01-CHT (2)

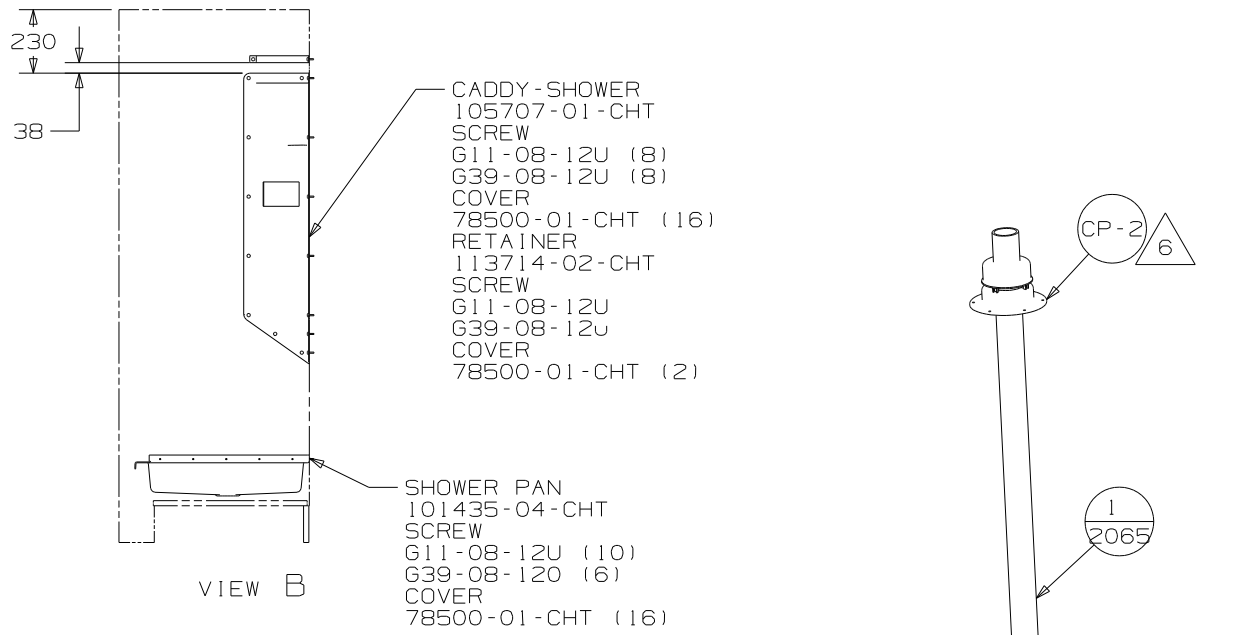
- SHOWER PAN
101435-04-CHT
- SCREW
G11-08-12U (10)
- G39-08-12U (6)
- COVER
78500-01-CHT (16)

- SINK-LAVATORY
96927-01-CHT
- SEAL
91255-02-000 (A/R)

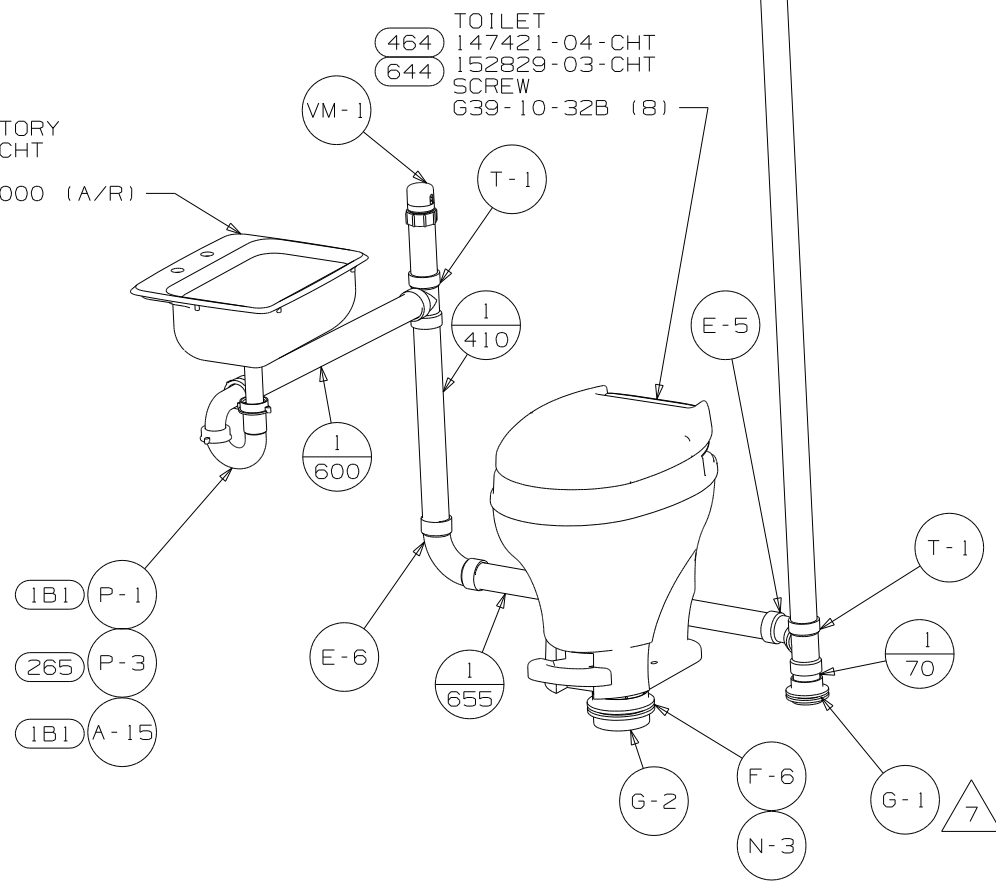
- TOILET
147421-04-CHT
- 152829-03-CHT
- SCREW
G39-10-32B (8)



VIEW A

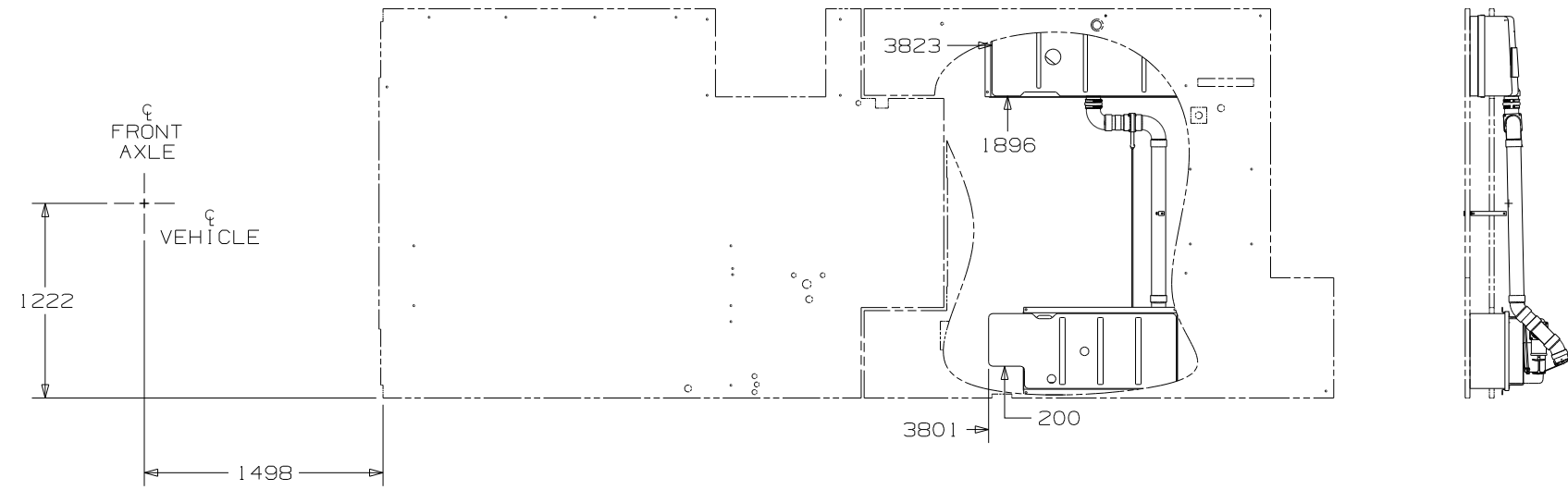


VIEW B

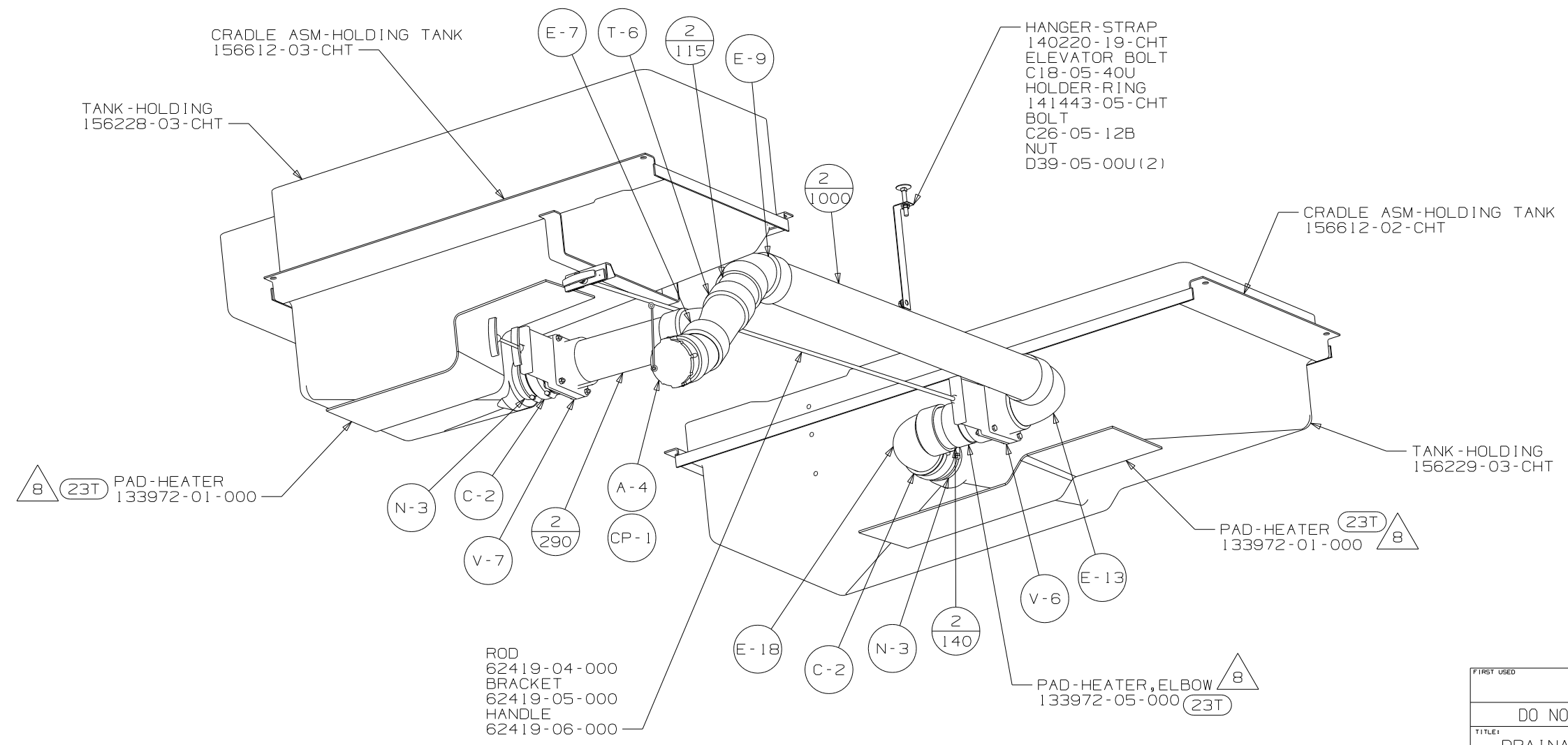


VIEW C

| | |
|----------------------|-----------------------|
| FIRST USED | 07 229T |
| DO NOT SCALE DRAWING | |
| TITLE | DRAINAGE SYSTEM INSTL |
| SHEET 2 | PART NO 157031 REV |



VIEW D



| | |
|----------------------|-----------------------|
| FIRST USED | 07 229T |
| DO NOT SCALE DRAWING | |
| TITLE | DRAINAGE SYSTEM INSTL |
| SHEET 3 | PART NO 157031 REV |

8

7

6

5

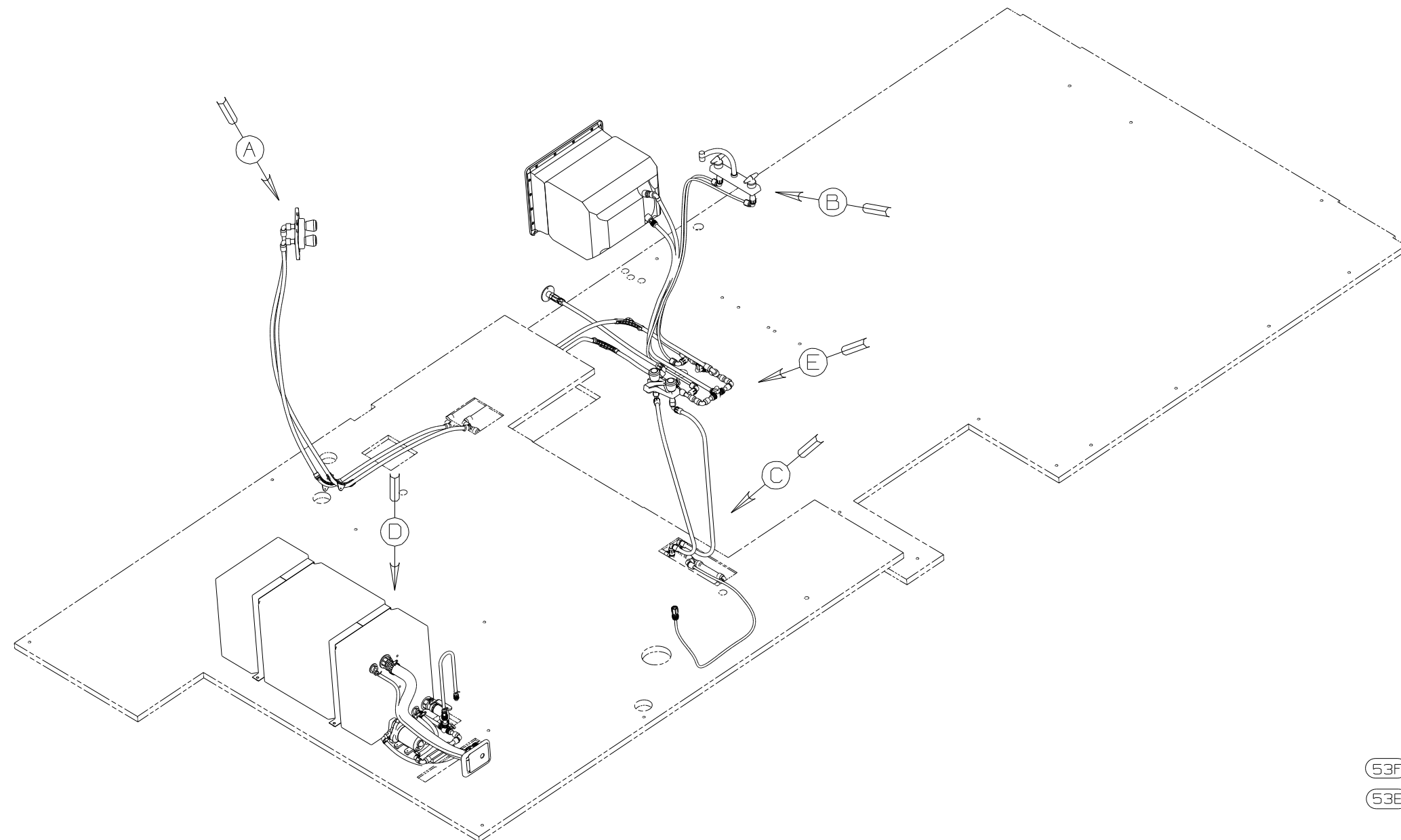
4

3

2

1

| | | |
|----------|-----------------|---------------|
| RELEASE | REV DATE | DWG NO |
| A | | 157033 |
| REV ZONE | REVISION RECORD | DATE DFR-0R16 |



- (53F) WATER HEATER-ELEC. IGNITION
- (53E) WATER SYS WINTERIZATION PKG

- NOTES:
3. ALL TUBING TO BE SECURED AT 1200 INTERVALS MAXIMUM WITH CLAMP 10495-01-000 AND SCREW G67-10-12B OR EQUIVALENT.
 2. TUBING TO BE INSTALLED WITH SUFFICIENT SLOPE TO PROVIDE DRAINAGE TO NEAREST VALVE.
 1. PLASTIC FITTINGS TO BE SEALED WITH SEALANT 84456-01-000.

| | | | |
|---------------------------|------------|---|--------|
| WINNEBAGO | | COPYRIGHT 2006 WINNEBAGO INDUSTRIES, INC. | |
| DFTR | ORIG. DATE | ALL DIMENSIONS ARE IN MILLIMETERS | |
| CHKR | | FIRST USED | |
| P.E. | | 07 229T | |
| M.E. | | UNSPECIFIED TOLERANCES ARE: | |
| DSNR | | MATERIAL: | |
| | | WHOLE DIM (X) | : 3 |
| | | ONE-PLACE (X.X) | : 1.5 |
| | | TWO-PLACE (X.XX) | : 0.50 |
| | | ANGLE | : 1° |
| THIRD ANGLE PROJECTION | | DO NOT SCALE DRAWING | |
| TITLE: WATER SYSTEM INSTL | | | |
| SHEET 1 OF 3 | PART NO | 157033 | REV |
| REF: | 12/21/2006 | | |

(X-X)
FOR
WATER
CALLOUTS
SEE DWG NO
116230-01-000

8

7

6

5

4

3

2

1

PANEL - SHOWER
78498-01-CHT
SH-1
SCREW
G11-08-16U (3)
NUT - SPEED-U
40921-05-000 (4)

FAUCET-LAV
148886-01-CHT

FAUCET-GALLEY
140117-02-CHT

STRAP-TANK, WATER
118994-10-CHT (2)

TANK-WATER, 36 GAL
156167-03-000

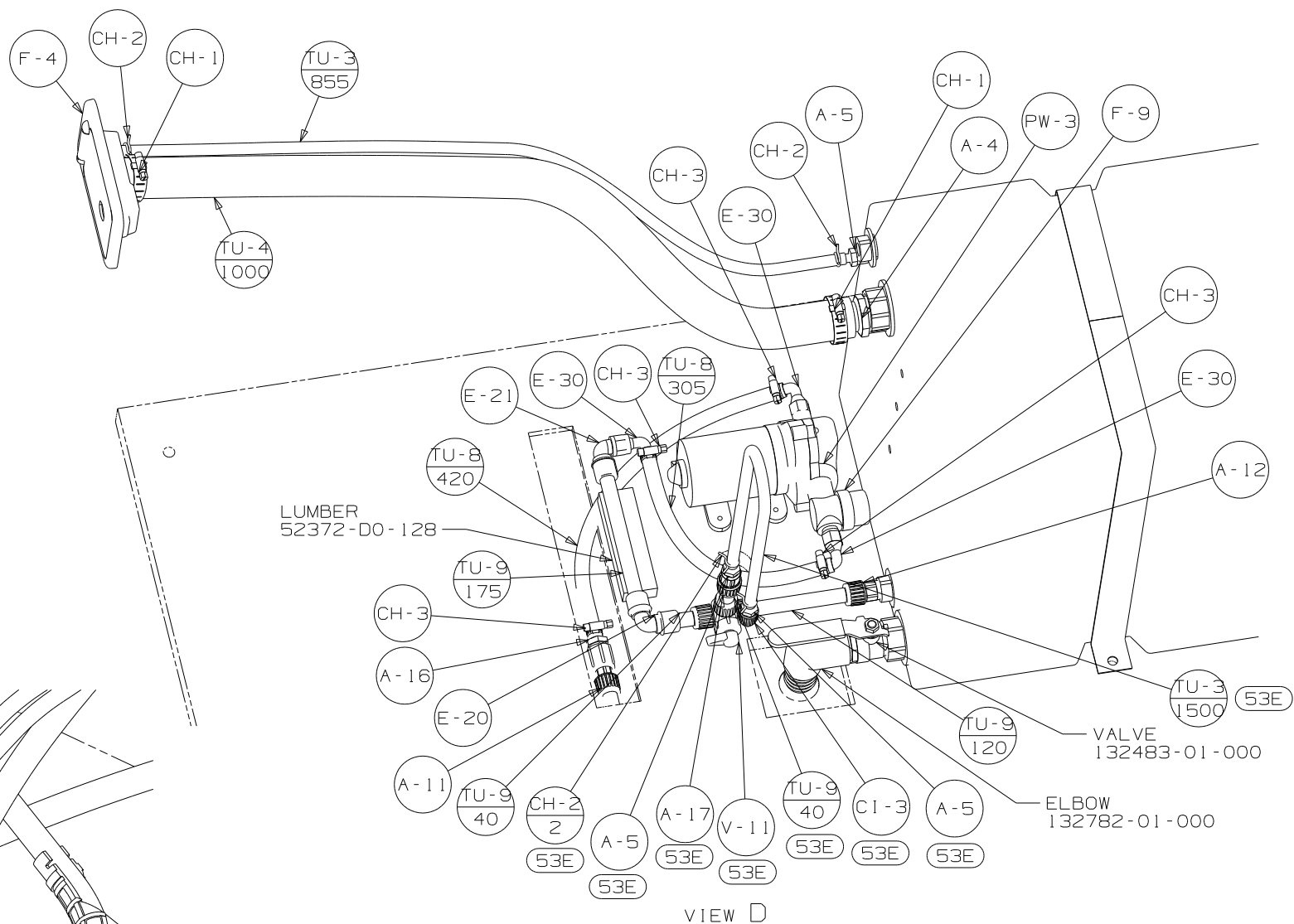
WATER HEATER
51391-03-000 (53F)
DOOR
78506-01-CHT
AL EXTR
2726-01-210 (2)
2726-01-212 (2)
SCREW
G39-10-169 (18)
SEALANT
CABLE
76767-03-000
SCREW
G11-06-08B (2)

VIEW A
(SHOWN WITHOUT FLOOR)

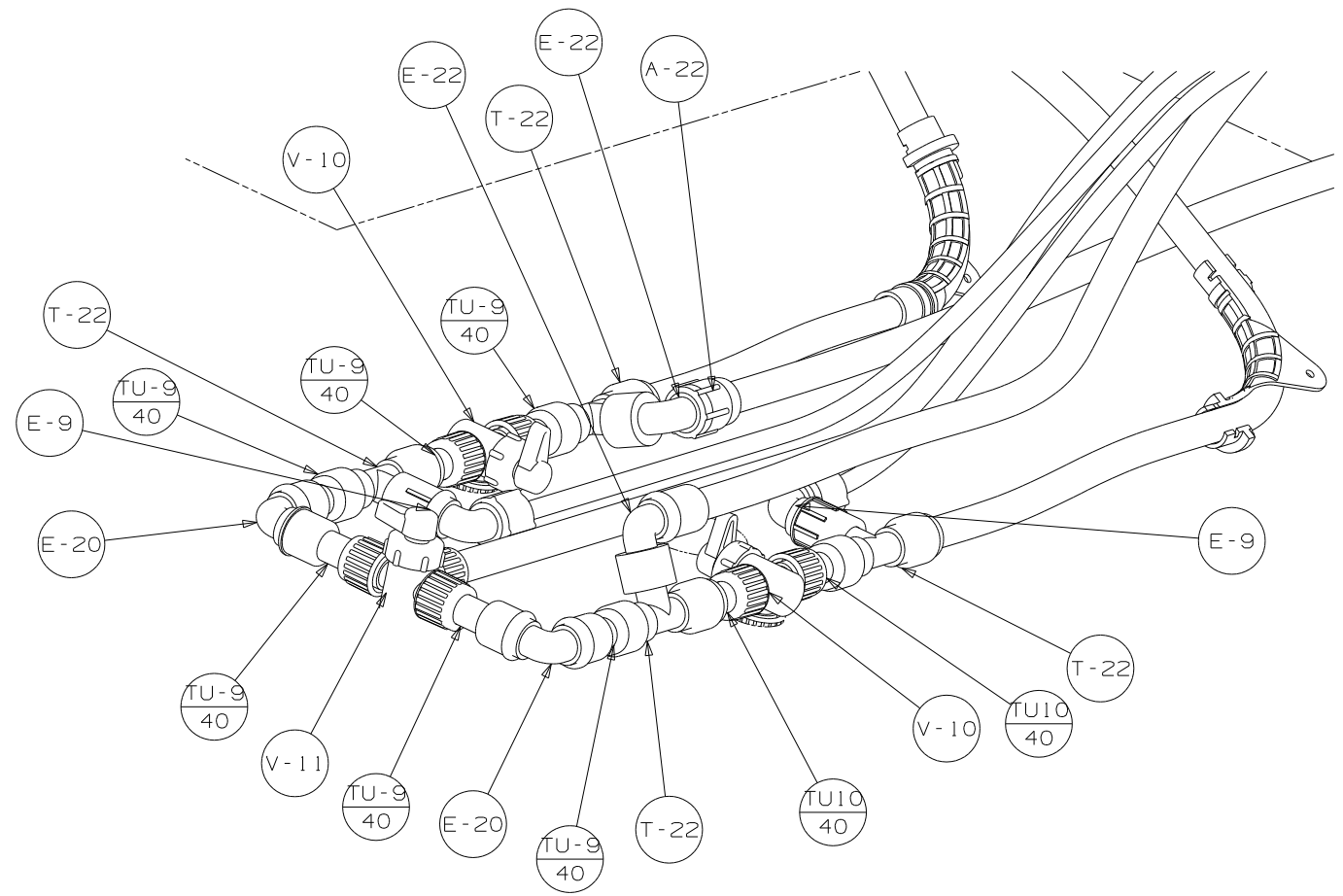
VIEW C
(SHOWN WITHOUT FLOOR)

VIEW B

| | |
|------------|----------------------|
| FIRST USED | 07 229T |
| TITLE | DO NOT SCALE DRAWING |
| SHEET 2 | PART NO 157033 |
| | REV |



VIEW D



VIEW E

| | |
|------------|----------------------|
| FIRST USED | 07 229T |
| TITLE | DO NOT SCALE DRAWING |
| SHEET 3 | PART NO 157033 |
| | REV |