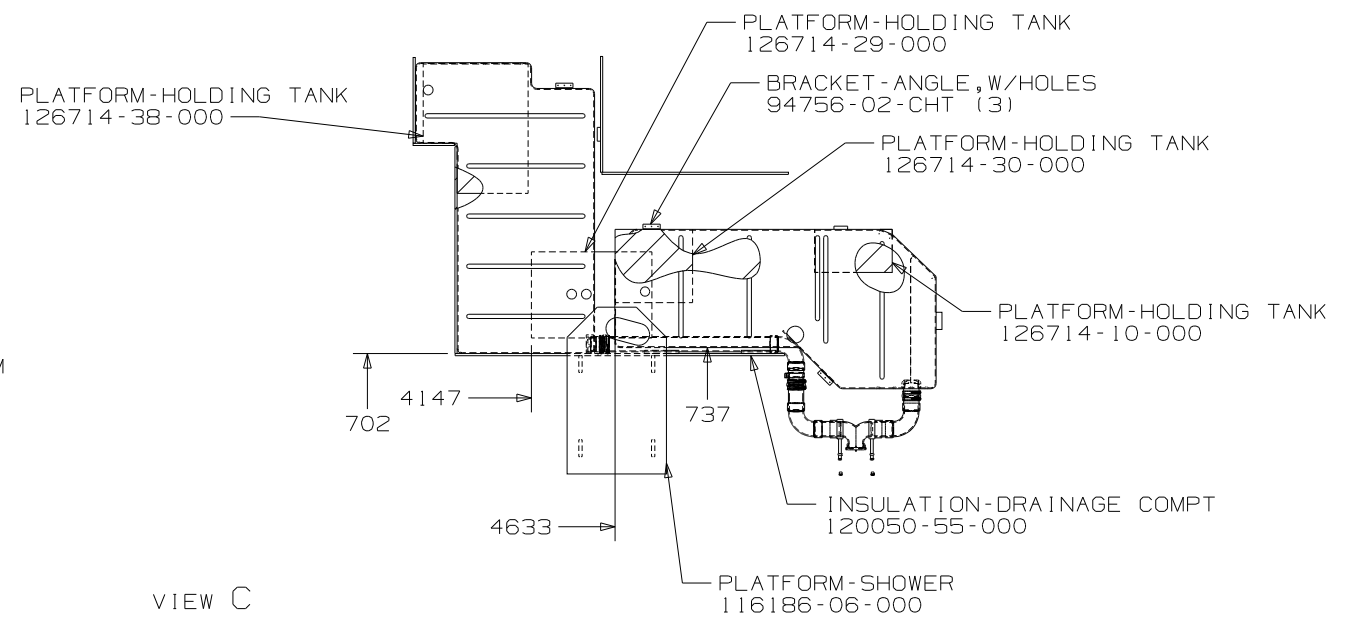
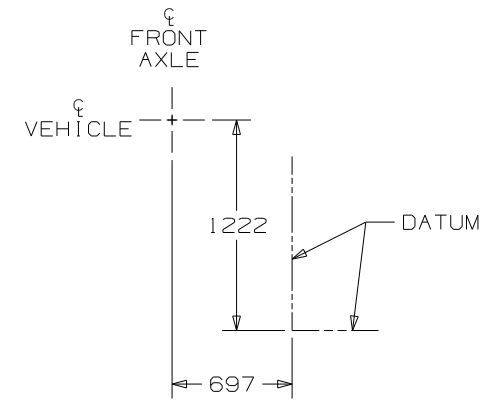


- 6 VENT PIPE MUST PROJECT 51 MIN AND 64 MAX ABOVE ROOF FOR PROPER FIT AND FUNCTION.
- SEAL AROUND SHOWER WITH SILICONE.
 - SLOPE OF TRAP ARM MUST BE 6 PER 305 mm.
 - SLOPE OF HORIZONTAL PIPING TO BE MIN 6 PER 305 mm.
 - ALL EXTERIOR OPENINGS AROUND PIPE TO BE SEALED WITH 110744-01-000.
 - ALL PIPE AND FITTINGS TO BE ASSEMBLED WITH SOLVENT 4020-01-000 (US) 4020-02-000 (CAN).

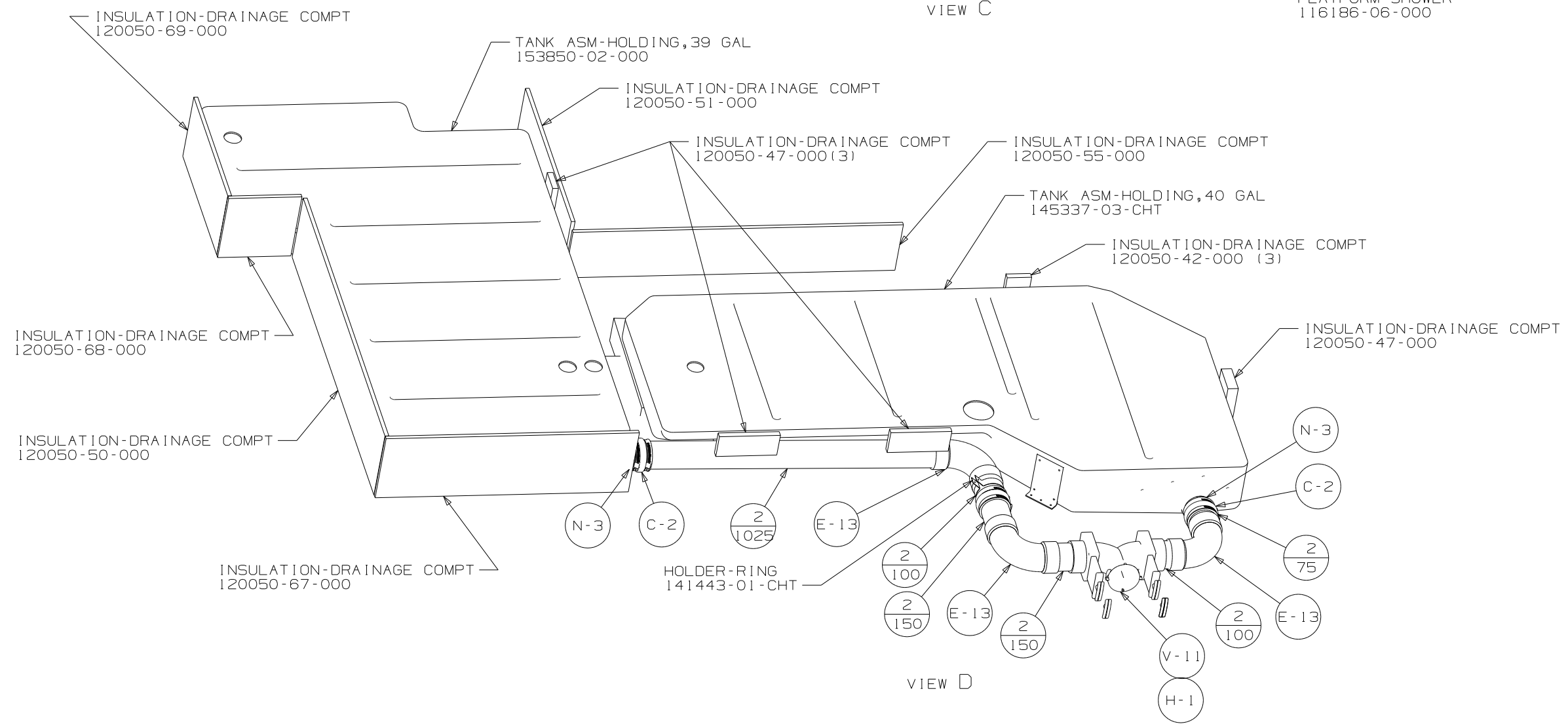
(B) CODES/STANDARDS - USA
 (265) CODES/STDA - CSA/CMVSS

WINNEBAGO		COPYRIGHT 2006 WINNEBAGO INDUSTRIES, INC.	
DFTR	ORIG. DATE	ALL DIMENSIONS ARE IN MILLIMETERS	
CHKR		FIRST USED	
P.E.		06 D35N	
M.E.		UNSPECIFIED TOLERANCES ARE:	
DSNR		MATERIAL:	
		WHOLE DIM (X) :	3
		ONE-PLACE (X.X) :	
		TWO-PLACE (X.XX) :	
		ANGLE :	
THIRD ANGLE PROJECTION		DO NOT SCALE DRAWING	
TITLE: DRAINAGE SYSTEM INSTL			
SHEET 1 OF 3	PART NO 153828	REV	

(X-X)
 FOR
 DRAINAGE
 CALLOUTS
 SEE DWG NO
 116229-01-000

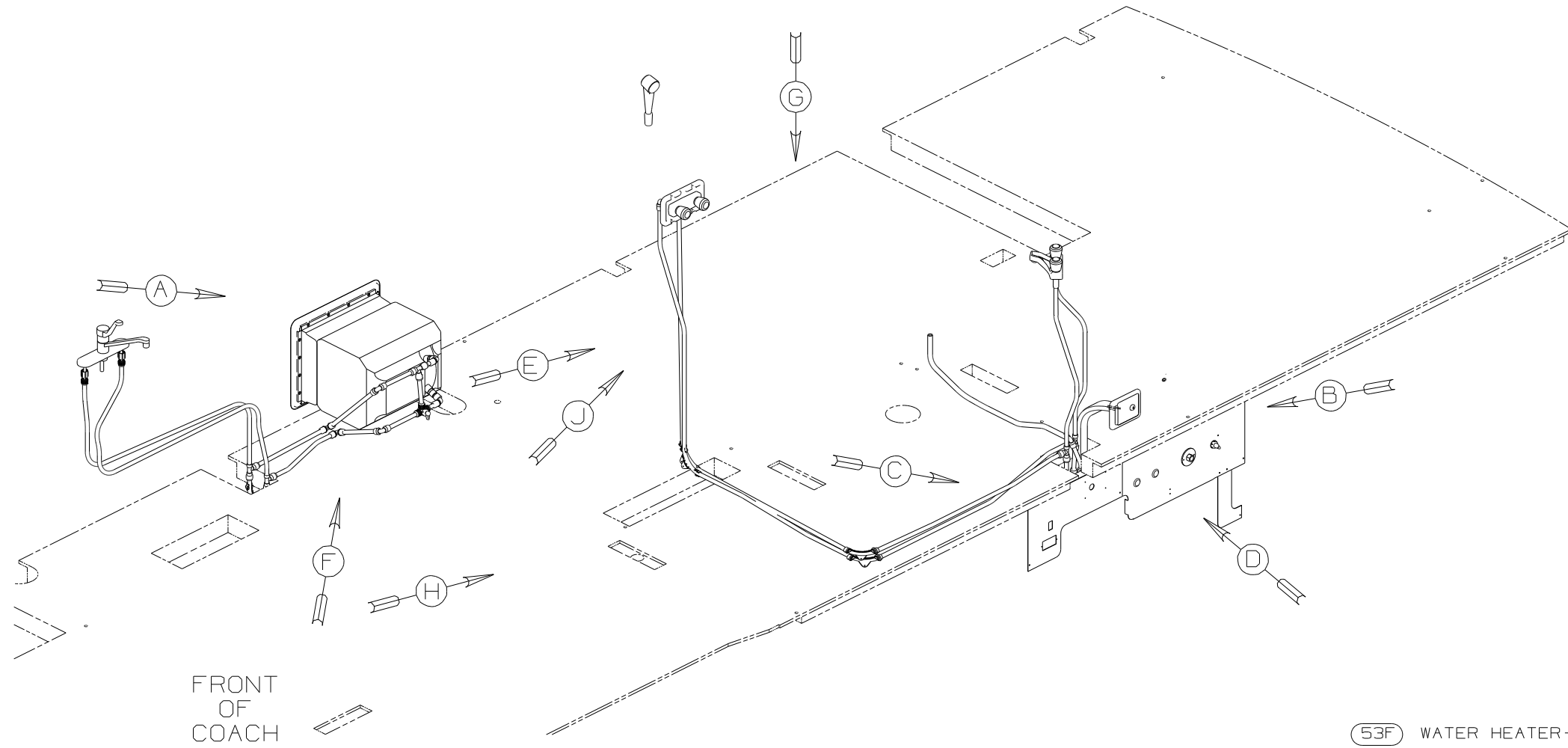


VIEW C



VIEW D

FIRST USED	06 D35N	
TITLE	DO NOT SCALE DRAWING	
	DRAINAGE SYSTEM INSTL	
SHEET 3	PART NO 153828	REV



FRONT
OF
COACH

- (53F) WATER HEATER-ELEC IGNITION
- (64R) EXTERIOR WASH STATION
- (1J4) EXT WASH STATION-WITHOUT

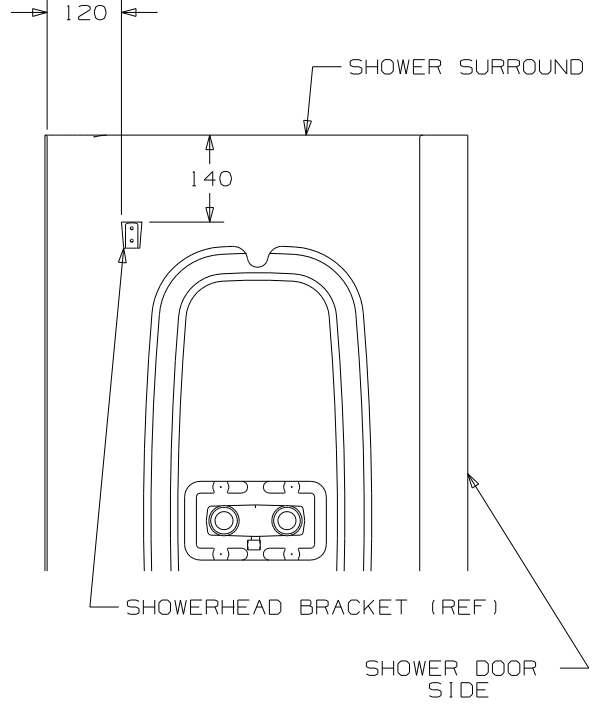
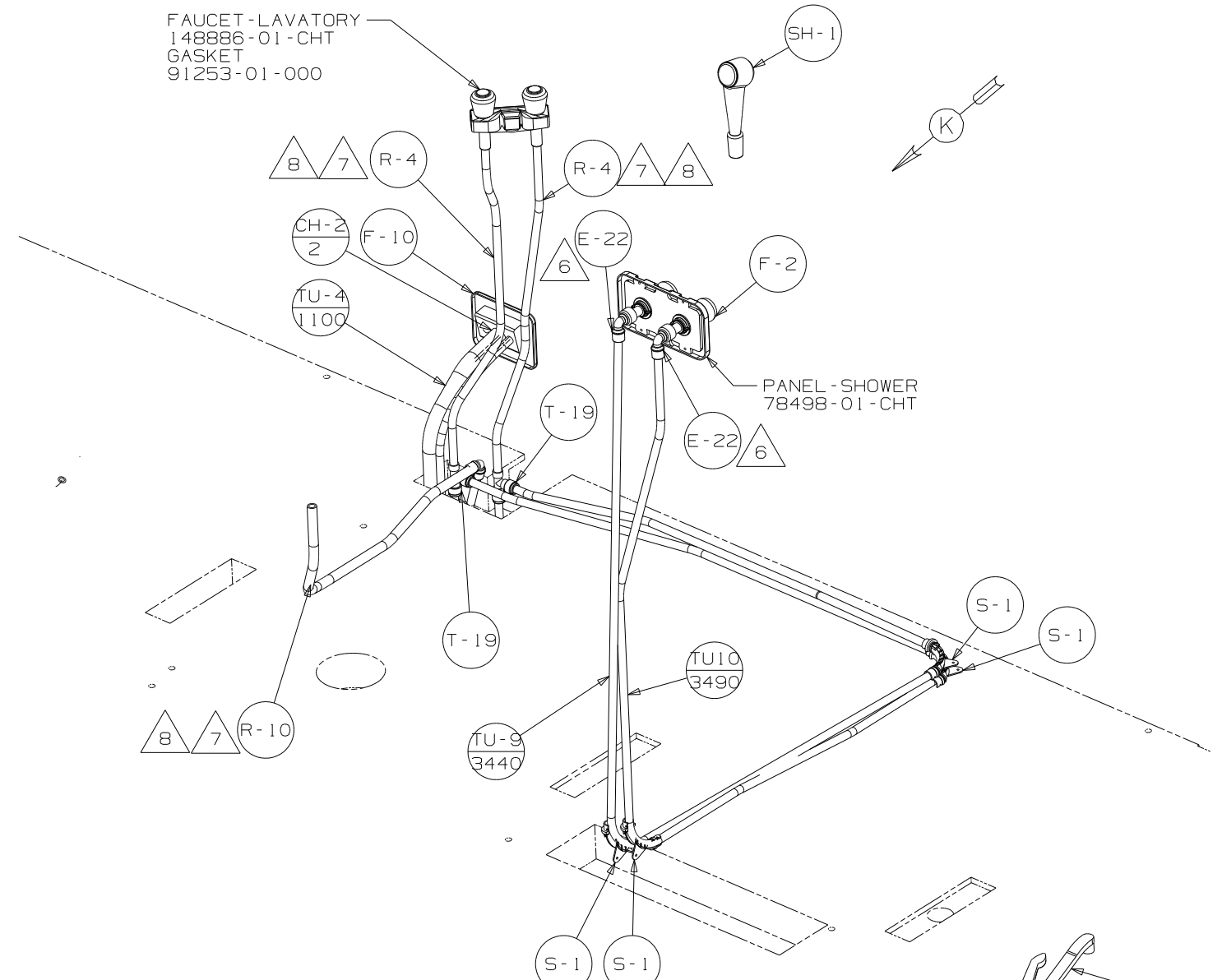
- NOTES:
9. ADD TEFLON TAPE 10405-03-000.
 8. LABEL HOT AND COLD SUPPLY TUBES.
 7. TAPE FITTING TO TUBE BEFORE CABINET SET TO PREVENT FITTING FROM MOVING.
 6. ADD TEFLON TAPE 10405-01-000.
 5. ADD TEFLON TAPE 10405-02-000.
 4. ADD PIPE WRAP (LADDER SCRAP) INSULATION HERE.
3. ALL TUBING TO BE SECURED AT 1200 INTERVALS MAXIMUM WITH CLAMP 10495-01-000 OR CLIP 9151-01-000 AND SCREW G67-10-12B.
 2. TUBING TO BE INSTALLED WITH SUFFICIENT SLOPE TO PROVIDE DRAINAGE TO NEAREST VALVE.
 1. PLASTIC FITTINGS TO BE SEALED WITH SEALANT 84456-01-000.

WINNEBAGO		COPYRIGHT 2006 WINNEBAGO INDUSTRIES, INC.	
DFTR	ORIG. DATE	ALL DIMENSIONS ARE IN MILLIMETERS	
CHKR		FIRST USED	
P.E.		06 D35N	
M.E.		UNSPECIFIED TOLERANCES ARE:	
DSNR		MATERIAL:	
		WHOLE DIM (X)	: 3
		ONE-PLACE (X.X)	:
		TWO-PLACE (X.XX)	:
		ANGLE	:
THIRD ANGLE PROJECTION		DO NOT SCALE DRAWING	
TITLE: WATER SYSTEM INSTL			
SHEET 1 OF 4	PART NO	153837	REV
REF:	1 6/13/2006		

(X-X)
FOR
WATER
CALLOUTS
SEE DWG NO
116230-01-000

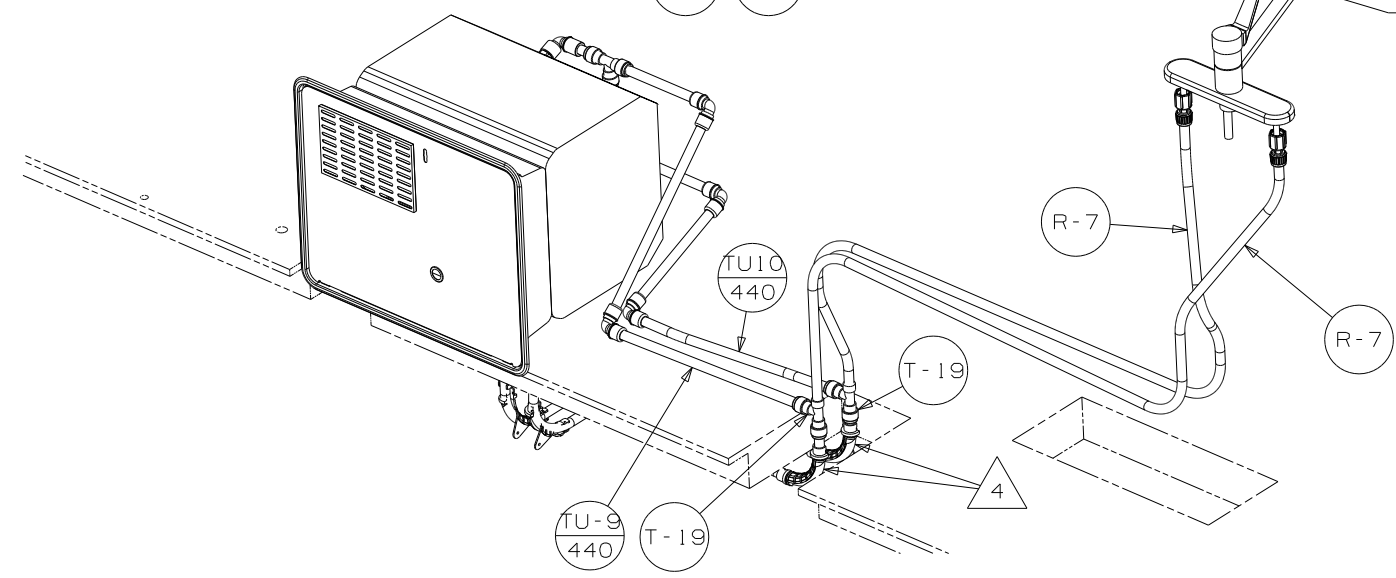
FAUCET-LAVATORY
148886-01-CHT
GASKET
91253-01-000

SH-1



SECTION A-A
VIEW K

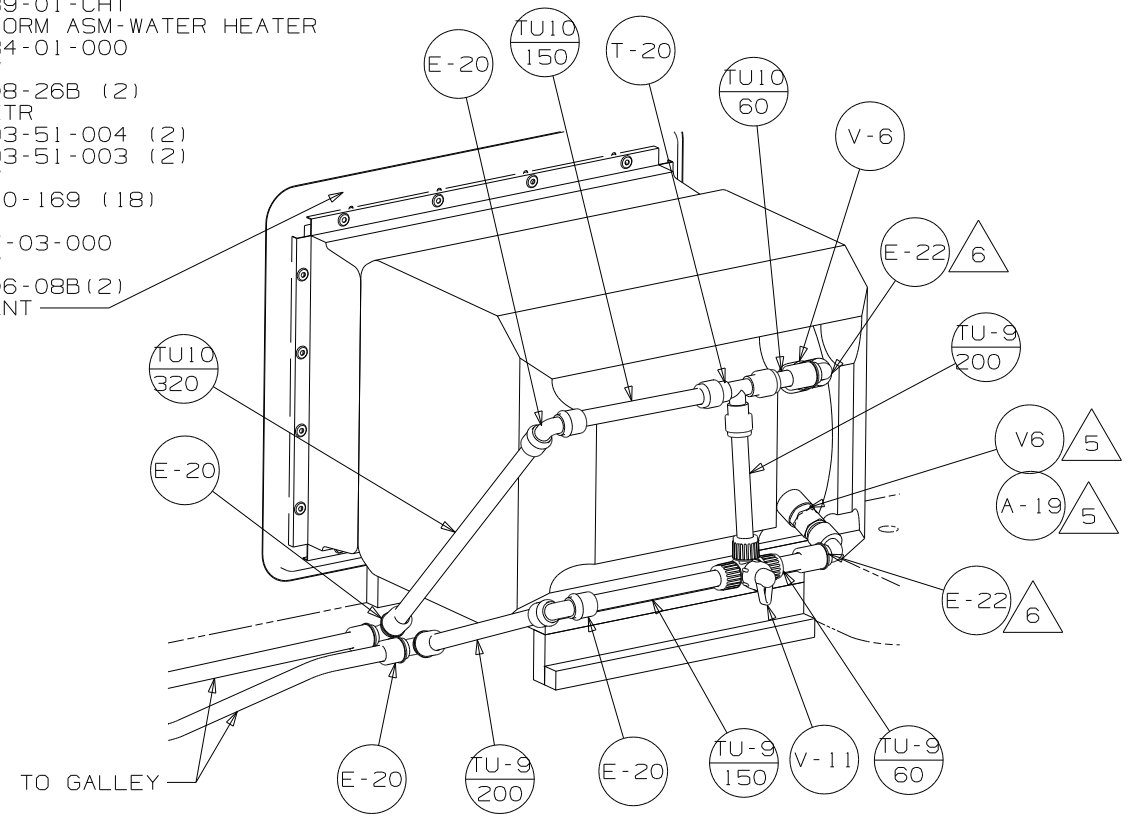
FAUCET
149164-01-CHT
BACKING-FAUCET
137079-02-CHT



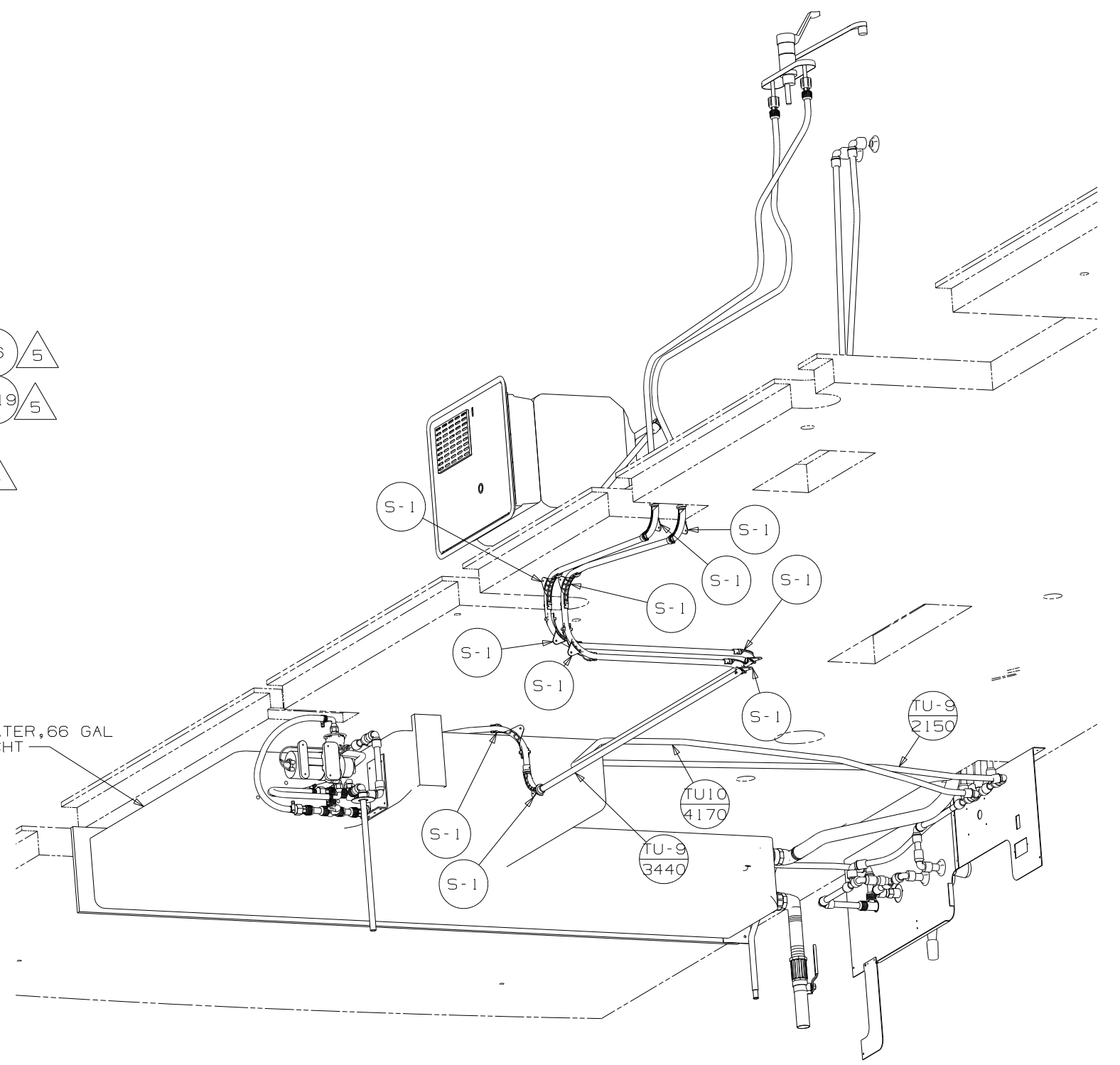
VIEW A

FIRST USED	06 D35N		
TITLE	DO NOT SCALE DRAWING		
TITLE	WATER SYSTEM INSTL		
SHEET 2	PART NO	153837	REV

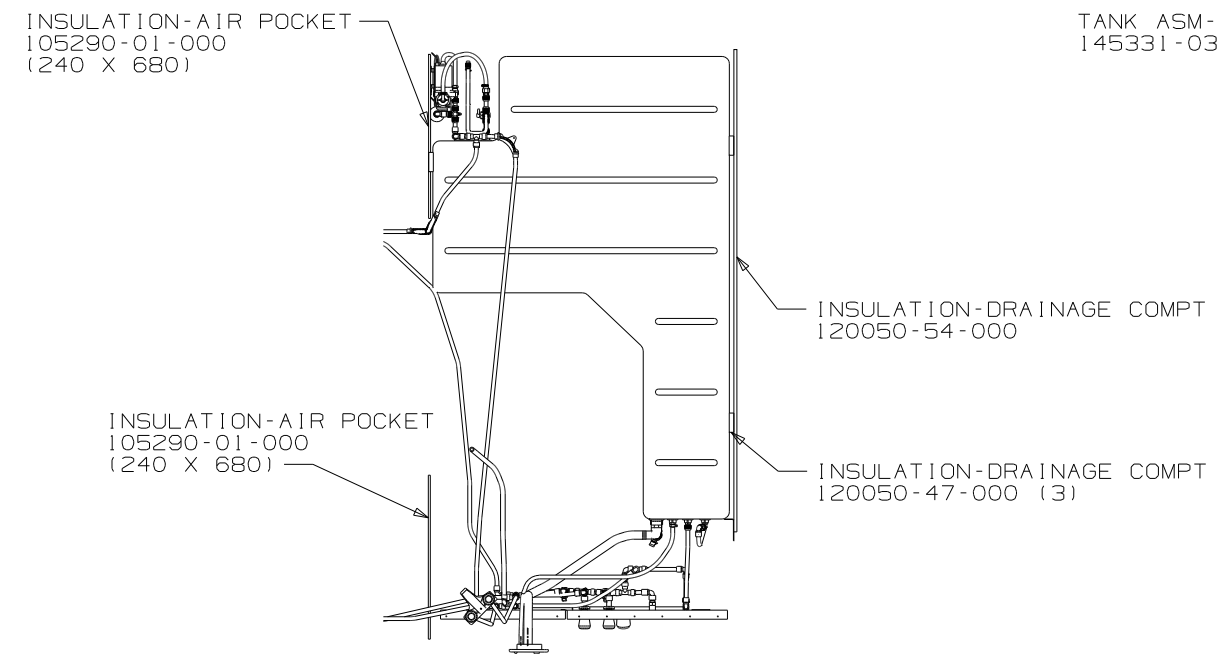
- 53F WATER HEATER 51391-03-000
- 53Z 145541-02-000
- DOOR 52009-06-000
- FLANGE-WATER HEATER 152239-01-CHT
- PLATFORM ASM-WATER HEATER 155334-01-000
- SCREW G55-08-26B (2)
- AL EXTR 151293-51-004 (2)
- 151293-51-003 (2)
- SCREW G39-10-169 (18)
- CABLE 76767-03-000
- SCREW G11-06-08B(2)
- SEALANT



VIEW F



VIEW H



VIEW G

FIRST USED	06 D35N
TITLE	DO NOT SCALE DRAWING
TITLE	WATER SYSTEM INSTL
SHEET 4	PART NO 153837 REV