



**DANGER**

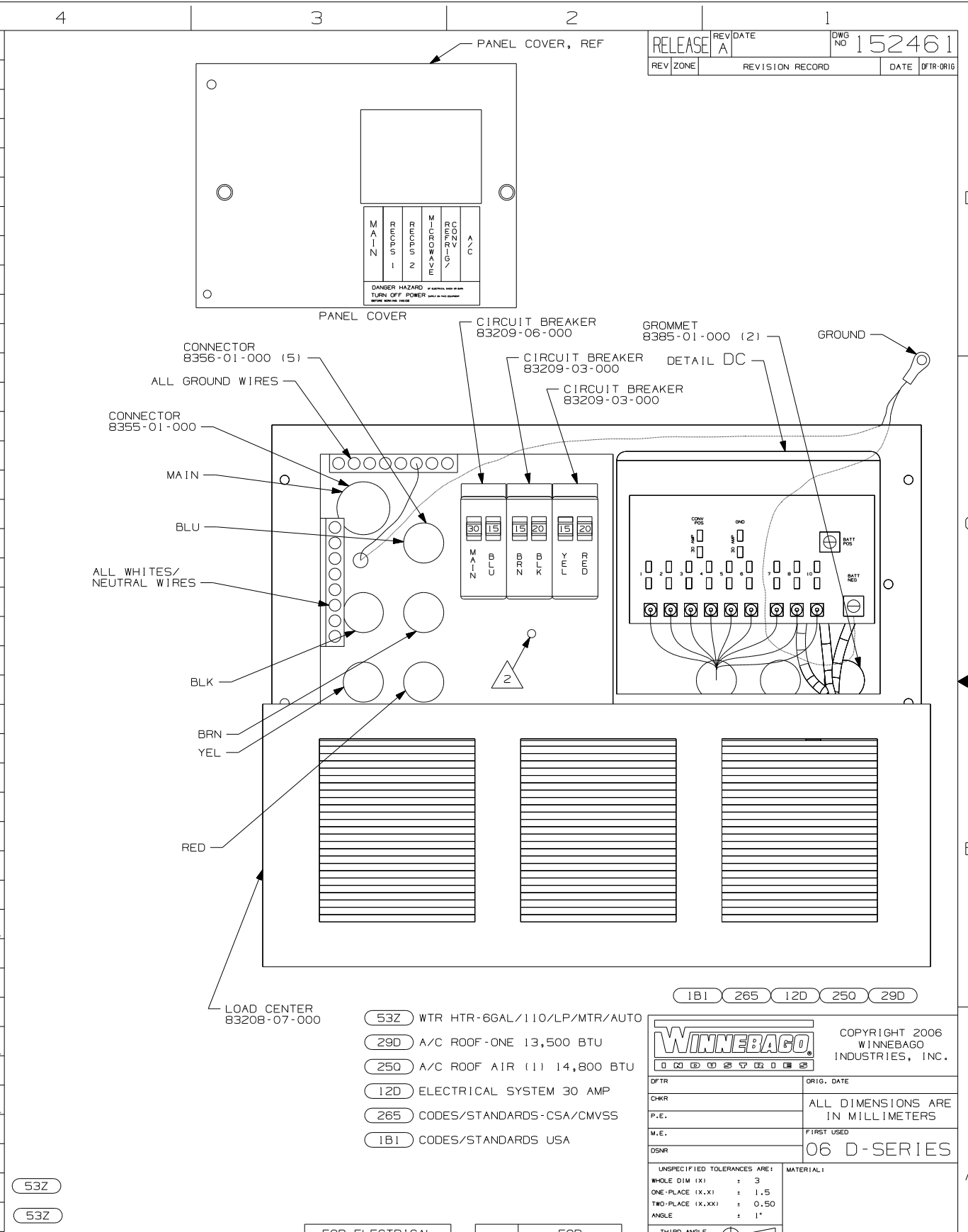
**Danger of electrical shock, burns or death.** Always remove all power sources before attempting any repair, service or diagnostic work. Power can be present from shore power, generator, inverter or battery. All power sources must be disabled and secured before performing any service.



**CAUTION**

If you lack the skills, tools or equipment to perform diagnostic or repair work leave such work to an authorized Winnebago Industries dealer or other qualified shop.

		8	7	6	5	4	3	2	1		
		D29R	D30B	D33T	D35N	D34A	D26P				
RED	12-UL	136135-07-045	136135-07-040	136135-07-070	136135-07-050	136135-07-045	136135-07-080				
	12-CA	136136-07-045	136136-07-040	136136-07-070	136136-07-050	136136-07-045	136136-07-080				
YEL	14-UL	136131-05-025	136131-05-035	136131-05-015	136131-05-030	136131-05-010	136131-05-025	△4			
	14-CA	136134-05-025	136134-05-035	136134-05-015	136134-05-030	136134-05-010	136134-05-025	△4			
YEL-2	14-UL	-----	-----	136131-13-020	136131-13-025	136131-13-026	-----				
	14-CA	-----	-----	136134-13-020	136134-13-025	136134-13-026	-----				
BLK	14-UL	-----	-----	136131-06-043	136131-06-055	136131-06-070	-----	△4			
	14-CA	-----	-----	136134-06-043	136134-06-055	136134-06-070	-----	△4			
BLK	12-UL	136135-06-020	136135-06-049	-----	-----	-----	136135-06-042				
	12-CA	136136-06-020	136136-06-049	-----	-----	-----	136136-06-042				
BRN	14-UL	136131-03-091	136131-03-058	△4	136131-03-120	136131-03-115	136131-03-085				
	14-CA	136134-03-091	136134-03-058	△4	136134-03-120	136134-03-115	136134-03-085				
BLU	14-UL	136131-02-156	136131-02-170	136131-02-095	136131-02-105	136131-02-140	136131-02-180	△4			
	14-CA	136134-02-156	136134-02-170	136134-02-095	136134-02-105	136134-02-140	136134-02-180	△4			
MAIN	10-UL	136137-01-060	136137-01-060	136137-01-060	136137-01-070	136137-01-059	136137-01-070				
	10-CA	136138-01-060	136138-01-060	136138-01-060	136138-01-070	136138-01-059	136138-01-070				
GROUND	8-G	136145-01-022	136145-02-025	136145-01-028	136145-01-030	136145-01-030	136145-01-012				
GRN	12-UL	-----	-----	136135-08-072	136135-08-045	136135-08-044	-----				
	12-CA	-----	-----	136136-08-072	136136-08-045	136136-08-044	-----				
GRN-2	12-UL	-----	-----	136135-14-060	136135-14-070	136135-14-063	-----				
	12-CA	-----	-----	136136-14-060	136136-14-070	136136-14-063	-----				
GRN-3	12-UL	-----	-----	136135-18-012	136135-18-012	136135-18-014	-----				
	12-CA	-----	-----	136136-18-012	136136-18-012	136136-18-014	-----				
PUR	14-UL	-----	-----	136131-04-072	136131-04-125	136131-04-041	-----				
	14-CA	-----	-----	136134-04-072	136134-04-125	136134-04-041	-----				
BRN-2	14-UL	-----	136131-19-080	-----	-----	-----	-----				
	14-CA	-----	136134-19-080	-----	-----	-----	-----				
PUR-2	14-UL	-----	-----	-----	-----	-----	-----				
	14-CA	-----	-----	-----	-----	-----	-----				
SLIDEOUT WIRE #1	-----	136151-03-040	△6	136151-03-046	△6	136151-03-034	△6	136151-06-029	△5	136151-05-045	△6
SLIDEOUT WIRE #2	136151-03-032	△5	-----	-----	136151-04-017	△5	136151-03-024	△5	136151-03-045	△6	
SLIDEOUT WIRE #3	-----	-----	-----	-----	-----	136151-02-029	△5	136151-03-025	△5		
THROW IN WIRE #1	14-UL	-----	-----	136131-03-050	△4	136131-03-055	△4	136131-02-025	△4	136131-03-018	△4
	14-CA	-----	-----	136134-03-050	△4	136134-03-055	△4	136134-02-025	△4	136134-03-018	△4
THROW IN WIRE #2	14-UL	-----	-----	-----	-----	-----	136131-03-005	△4	136131-03-035	△4	
	14-CA	-----	-----	-----	-----	-----	136134-03-005	△4	136134-03-035	△4	
GENERATOR CABLE ASM	UL	136137-01-032	-----	-----	-----	-----	-----	-----	-----	-----	
	CA	136138-01-032	-----	-----	-----	-----	-----	-----	-----	-----	
WHT	12-UL	-----	-----	136135-09-092	136135-09-016	136135-09-060	-----				
	12-CA	-----	-----	136136-09-092	136136-09-016	136136-09-060	-----				



RELEASE REV DATE A 152461  
 REV ZONE REVISION RECORD DATE DFR-016

1B1 265 12D 250 29D

- 53Z WTR HTR-6GAL/110/LP/MTR/AUTO
- 29D A/C ROOF-ONE 13,500 BTU
- 250 A/C ROOF AIR (1) 14,800 BTU
- 12D ELECTRICAL SYSTEM 30 AMP
- 265 CODES/STANDARDS-CSA/CMVSS
- 1B1 CODES/STANDARDS USA

**WINNEBAGO** COPYRIGHT 2006 WINNEBAGO INDUSTRIES, INC.

DFTR	ORIG. DATE
CHKR	ALL DIMENSIONS ARE IN MILLIMETERS
P.E.	FIRST USED
M.E.	06 D-SERIES
DSNR	

UNSPECIFIED TOLERANCES ARE: MATERIAL:

WHOLE DIM (X)	: 3
ONE-PLACE (X.X)	: 1.5
TWO-PLACE (X.XX)	: 0.50
ANGLE	: 1°

THIRD ANGLE PROJECTION

**DO NOT SCALE DRAWING**

TITLE: LOAD CENTER/ATS ASM

SHEET 1 of 4 PART NO 152461 REV

△2 SECURE WIRES TO BACKSIDE OF LOAD CENTER WITH WIRE TIE 116673-01-000.

1. ALL GROUNDS WIRES TO BE COVERED WITH TUBING 8041-02-000.

NOTES:

△5 SEE DETAIL DB FOR CONNECTOR INSTALLATION.

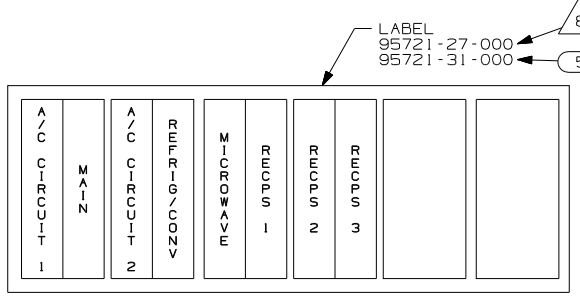
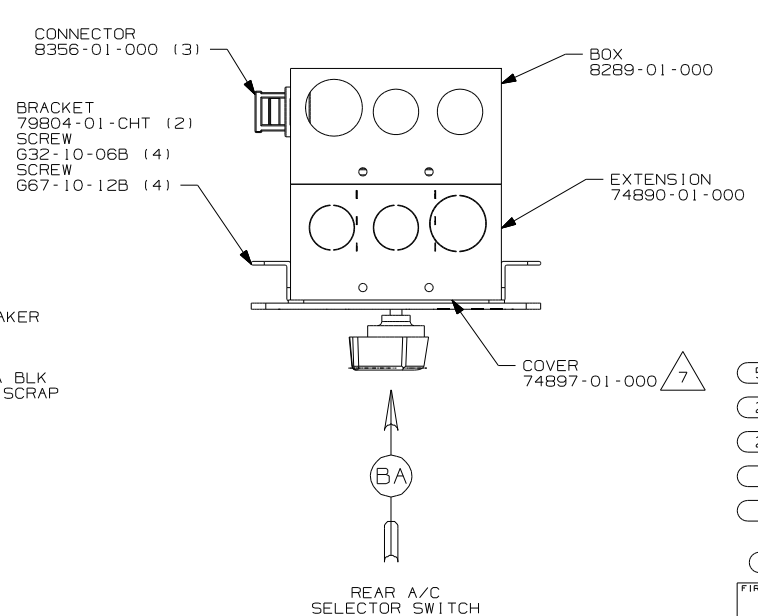
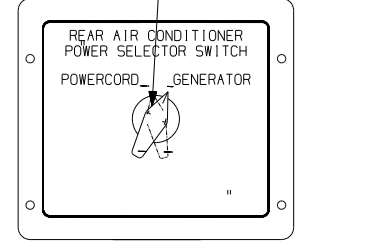
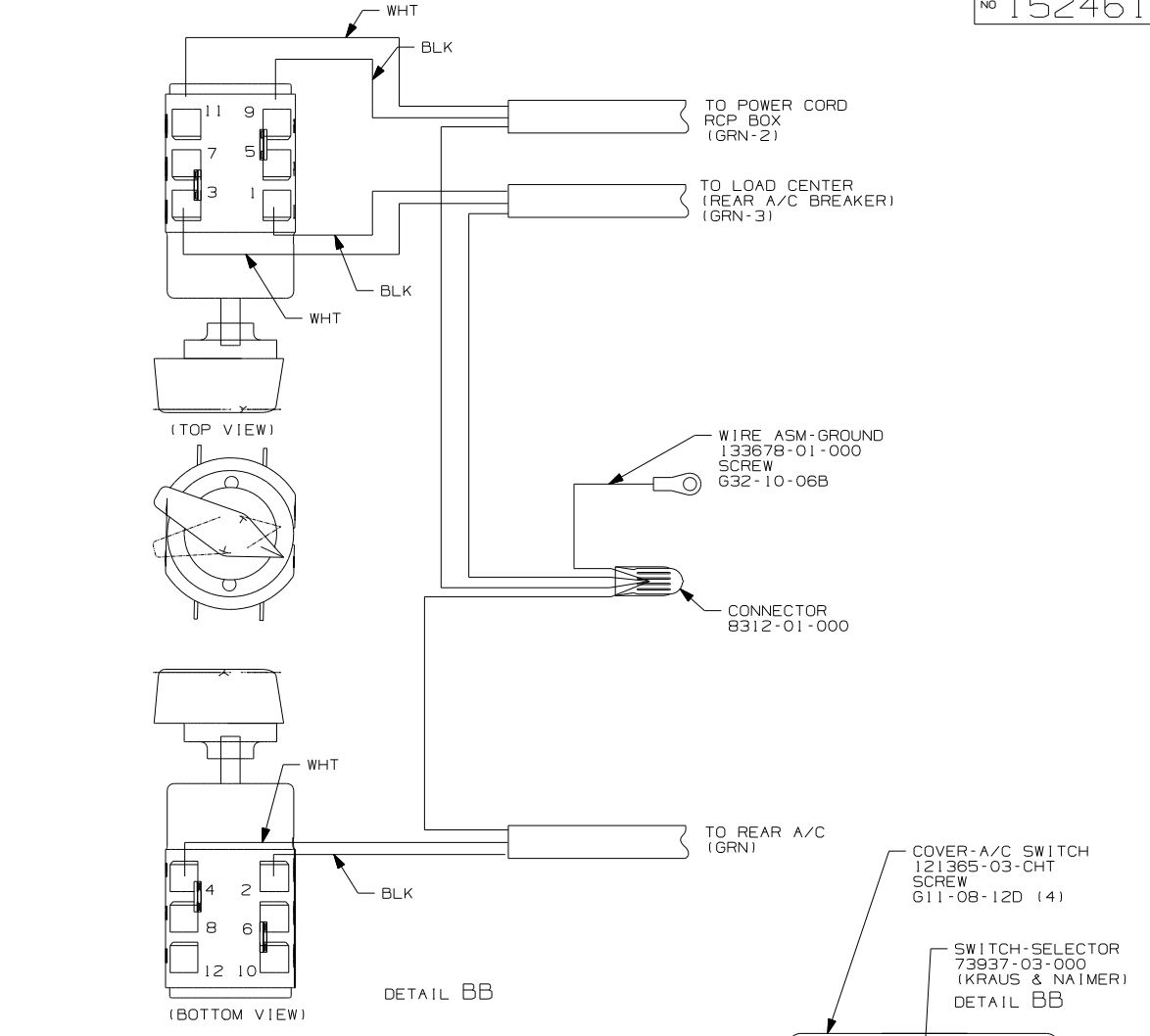
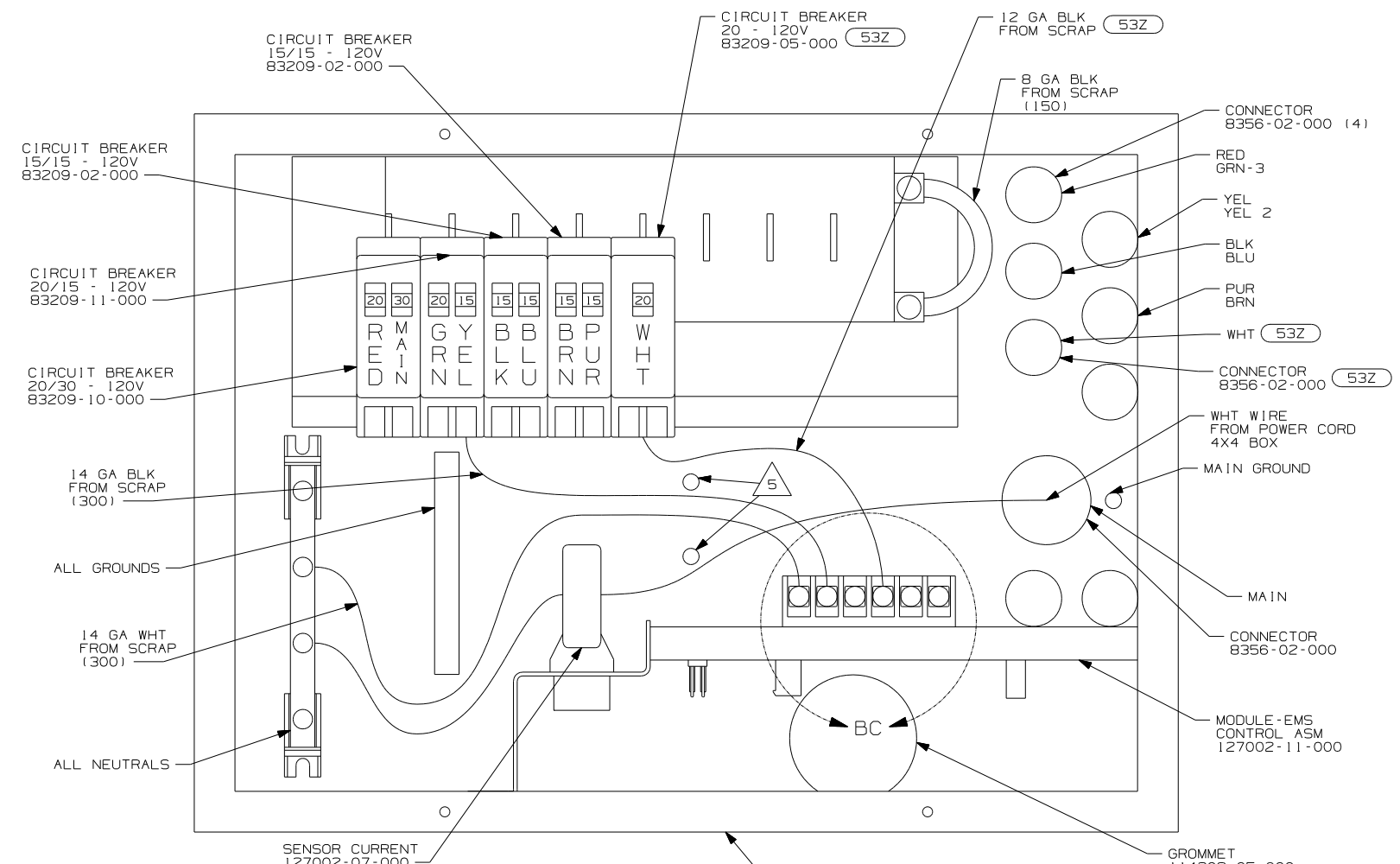
△4 SEE DETAIL DA FOR CONNECTOR INSTALLATION.

△3 SEE WIRING INSTL-BODY, 12V FOR ADDITIONAL INFORMATION.

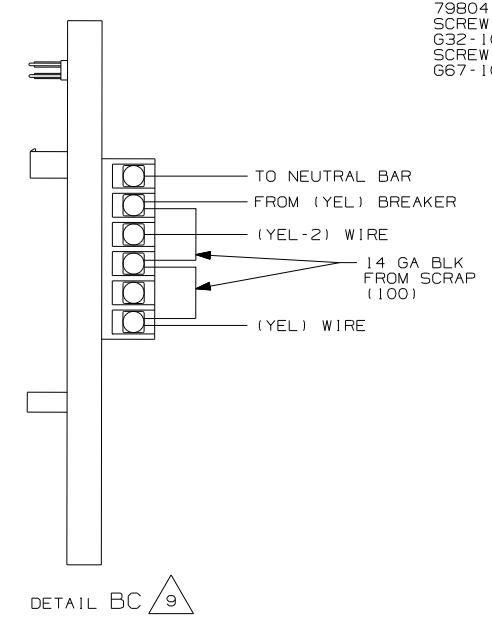
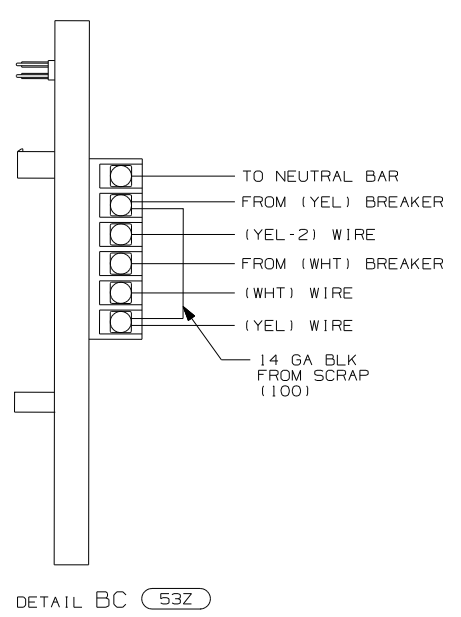
△6 SEE DETAIL DD FOR CONNECTOR INSTALLATION.

FOR ELECTRICAL TORQUE SPECIFICATIONS SEE DWG NO. 128783-01-000

FOR ELECTRICAL CALLOUTS SEE DWG NO. 121339-01-000



INSTALL LABEL ON FRONT COVER PLATE BELOW THE BREAKERS



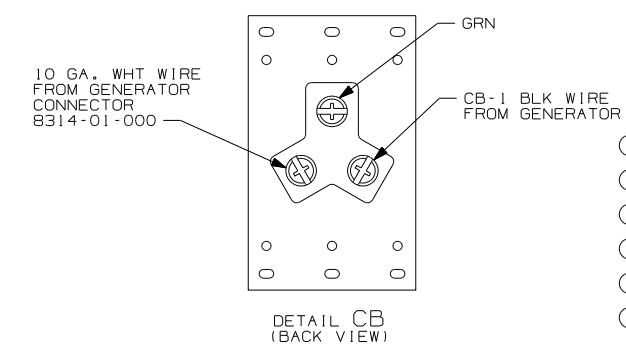
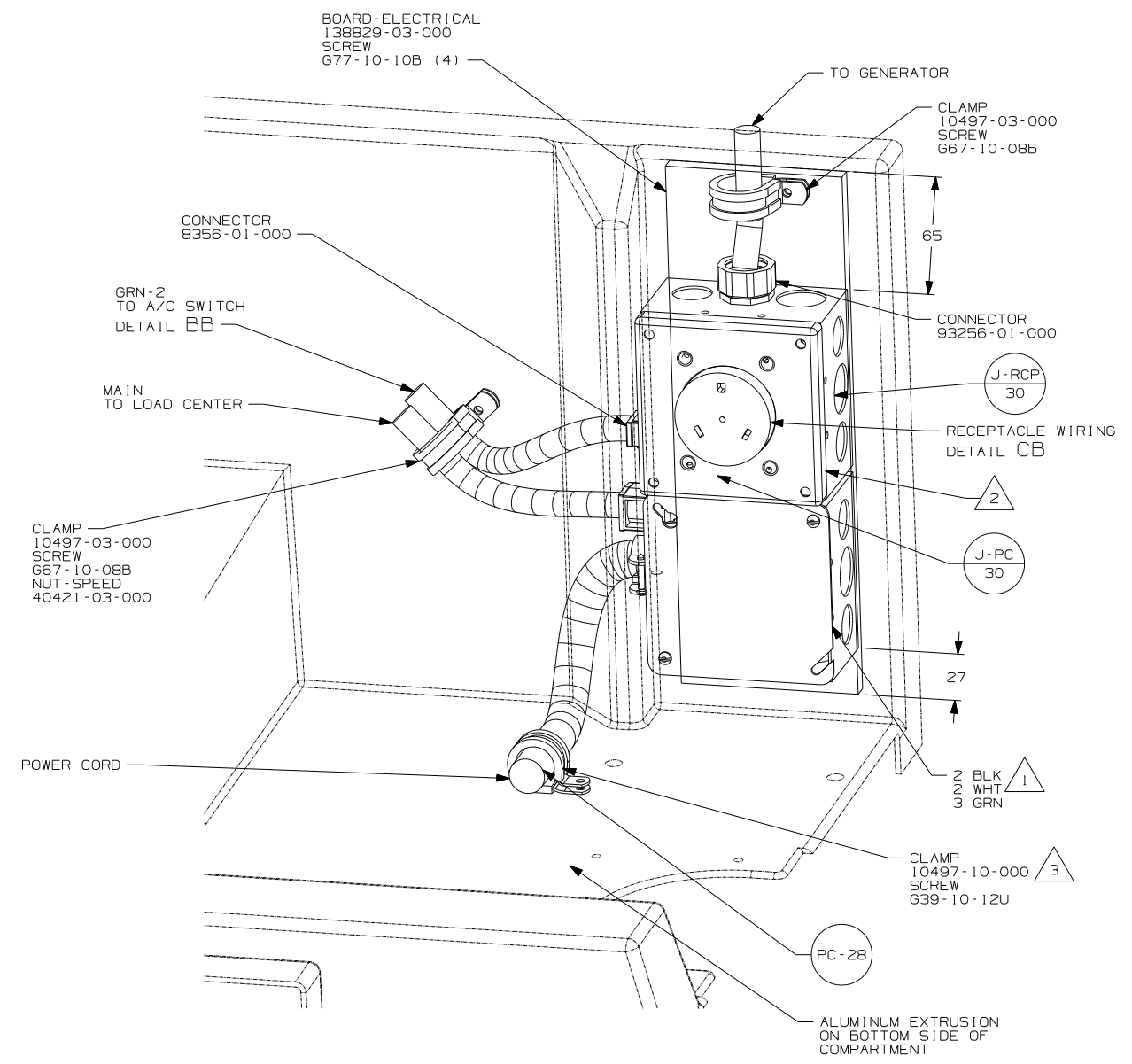
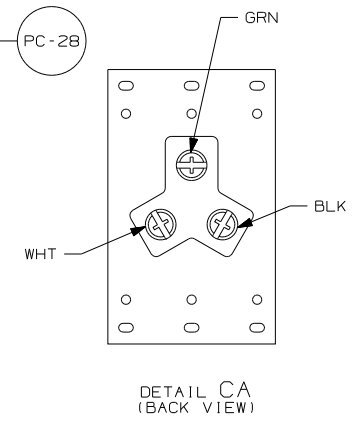
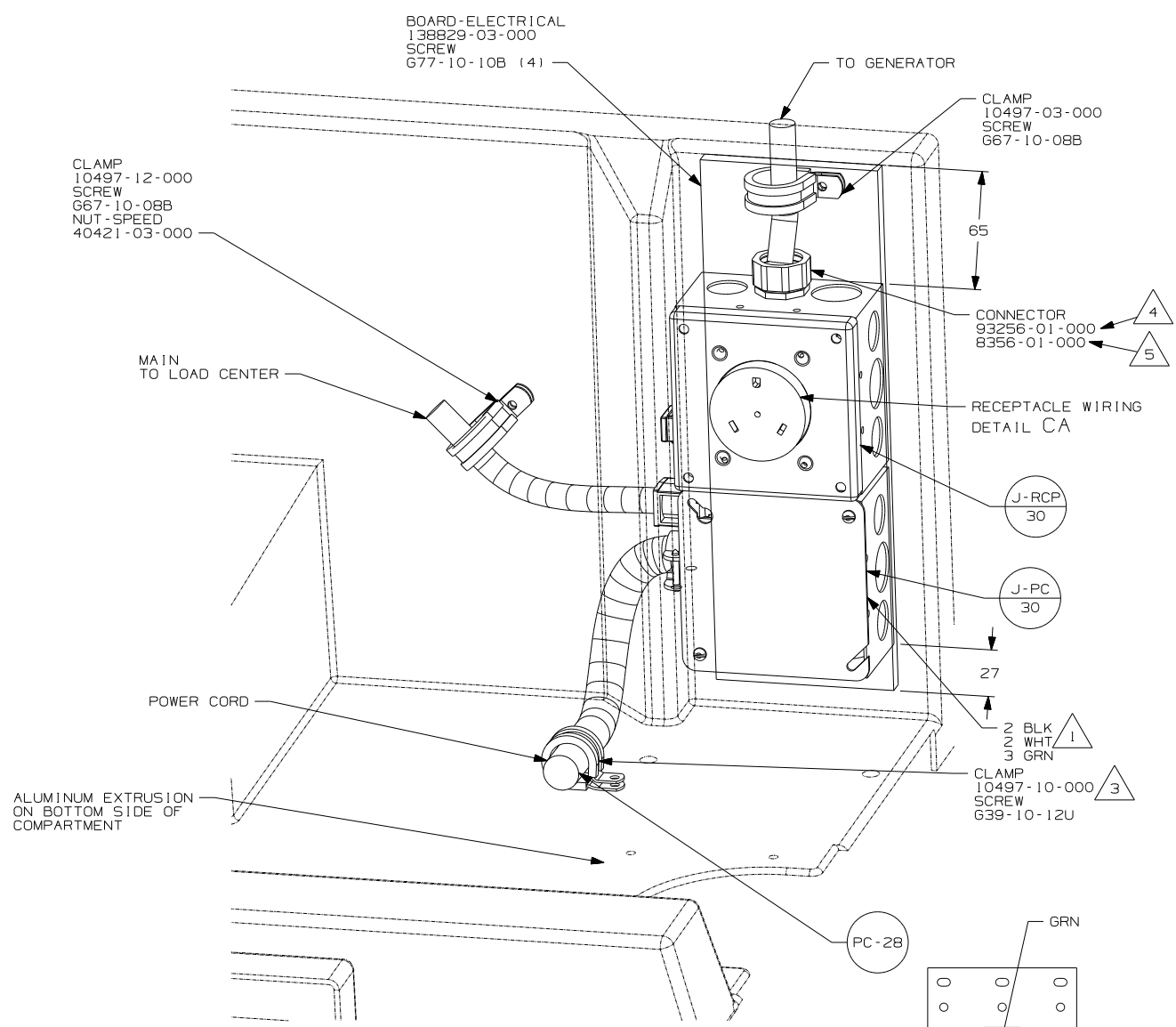
- NOTES:
1. ALL GROUND WIRES TO BE COVERED WITH TUBING 8041-02-000.
  2. GROUND WIRES ARE NOT SHOWN FOR CLARITY.
  3. ALL WIRES TO BE CLAMPED WITHIN 200MM OF ATS.
  4. ALL 110V STRANDED WIRE W/O TERMINALS TO BE STRIPPED 10MM AND SOLDER DIPPED.
  5. ATTACH WIRES TO BACKSIDE OF LOAD CENTER, USE EXISTING HOLES AND TIE-WIRE 116673-01-000.
  6. ALL WIRES MUST BE 500MM LONG INSIDE LOAD CENTER.
  7. FASTEN SWITCH TO COVER BEFORE FASTENING COVER TO BOX.
  8. INSTALLED BY ASSEMBLY LINE.
  9. WITHOUT (53Z)

- (53Z) WTR HTR-6GAL/110/LP/MTR/AUTO
- (276) A/C ROOF - HI EFF (2) W/EMS
- (265) CODES/STANDARDS - CSA/CMVSS
- (1B1) CODES/STANDARDS - USA
- (12D) ELECTRICAL SYSTEM-30 AMP

FOR ELECTRICAL TORQUE SPECIFICATIONS SEE DWG NO. 128783-01-000

FOR ELECTRICAL CALLOUTS SEE DWG NO. 121339-01-000

FIRST USED	
06 D-SERIES	
DO NOT SCALE DRAWING	
TITLE: LOAD CENTER/ATS ASM	
SHEET 2	PART NO 152461 REV



- NOTES:
- 5 USED ON D29R ONLY.
  - 4 USED ON D26P & D30B ONLY.
  - 3 SCREW CLAMP ON TO THE FLOOR OF COMPARTMENT INTO THE ALUMINUM EXTRUSION ON BOTTOM SIDE OF COMPARTMENT.
  - 2 CONNECT CB-2 BLACK WIRE FROM GENERATOR TO BLACK OF GRN-2 WITH CONNECTOR 8311-01-000 AND WHITES TO WHITES AND GROUNDS TO GROUNDS.
  - 1 CONNECT BLACK TO BLACK, WHITE TO WHITE, AND GROUNDS TO GROUNDS.

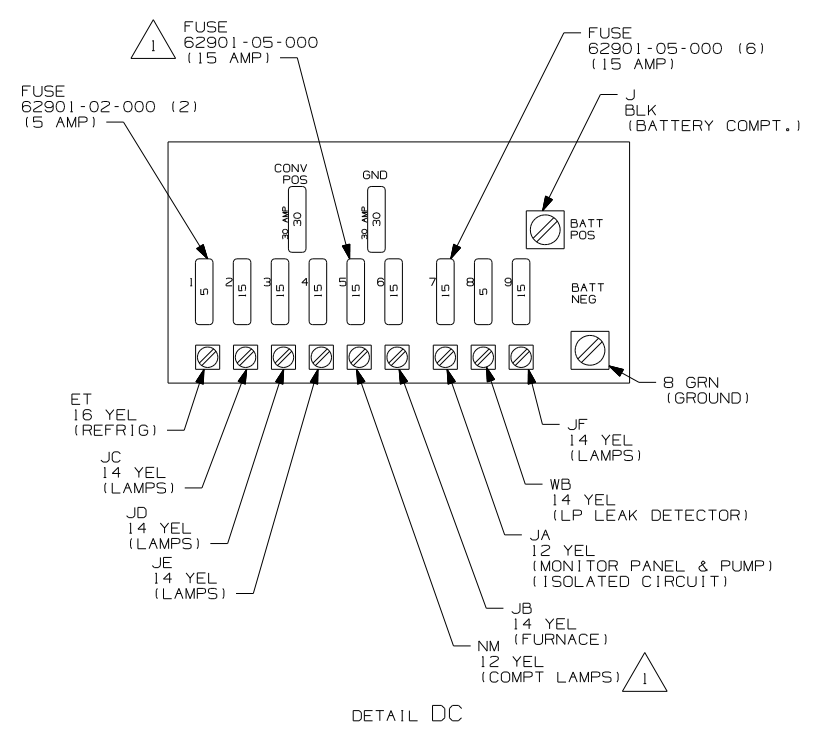
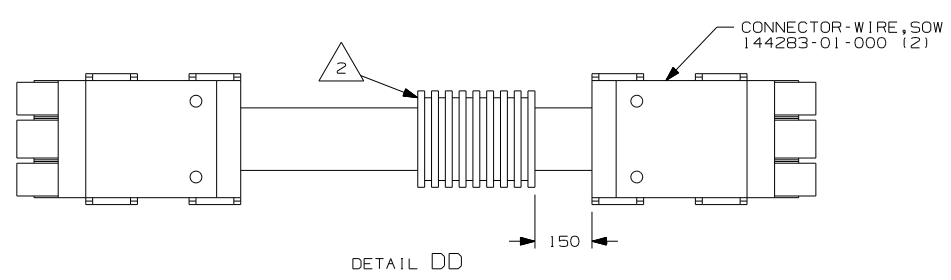
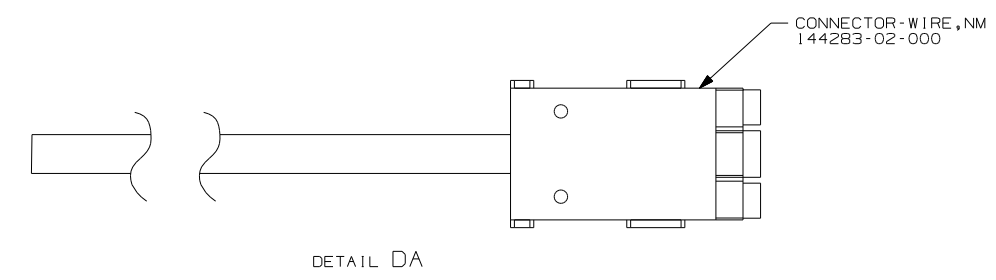
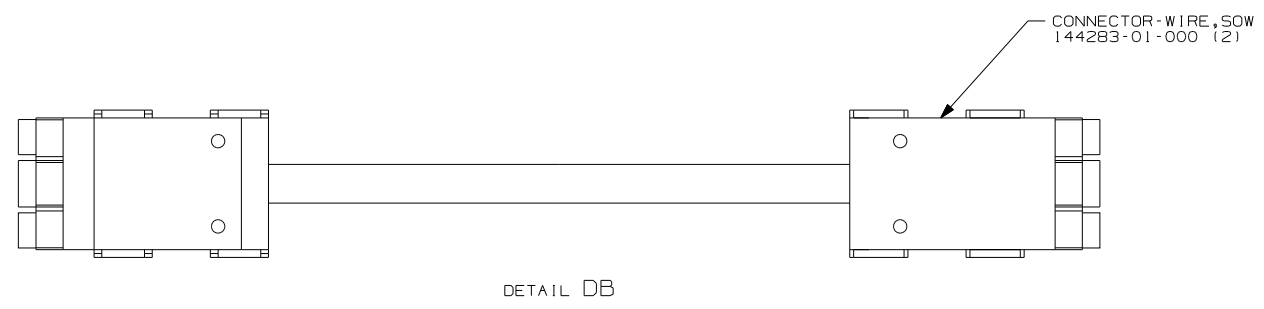
250 290 276

FOR ELECTRICAL  
TORQUE  
SPECIFICATIONS  
SEE DWG NO.  
128783-01-000

X-X FOR  
ELECTRICAL  
CALLOUTS  
SEE DWG NO.  
121339-01-000

- 29D A/C ROOF-ONE 13,500 BTU
- 250 A/C ROOF AIR (1) 14,800 BTU
- 276 A/C ROOF-HI EFF (2) W/EMS
- 12D ELECTRICAL SYSTEM 30 AMP
- 265 CODES/STANDARDS-CSA/CMVSS
- 1B1 CODES/STANDARDS USA

FIRST USED	
06 D-SERIES	
DO NOT SCALE DRAWING	
TITLE: LOAD CENTER/ATS ASM	
SHEET 3	PART NO 152461
REV	



2 APPLY 300MM OF CONDUIT-CONVOLUTE 41953-05-000 OVER WIRE AT DIMENSION SHOWN AND SECURE BOTH ENDS OF TUBING TO WIRE WITH TAPE 8363-01-000.

1 USED ON D26P AND D29R ONLY. NOT USED ON D30B. ONLY.

NOTES:

FIRST USED		06 D-SERIES	
DO NOT SCALE DRAWING			
TITLE: LOAD CENTER/ATS ASM			
SHEET 4	PART NO	152461	REV