

FRONT  
OF  
COACH

(B) CODES/STANDARDS-USA  
(265) CODES/STDS-CMVSS, CSA

6 VENT PIPE MUST PROJECT 51 MIN AND 64 MAX ABOVE ROOF FOR PROPER FIT AND FUNCTION.

- 5. SEAL AROUND SHOWER WITH SILICONE.
- 4. ALL EXTERIOR OPENINGS AROUND PIPE TO BE SEALED WITH 131264-03-000.
- 3. ALL PIPE AND FITTINGS TO BE ASSEMBLED WITH SOLVENT 4020-01-000 (US), 4020-02-000 (CAN).
- 2. SLOPE OF TRAP ARM MUST BE 6 PER 305 mm.
- 1. SLOPE OF HORIZONTAL PIPING TO BE MIN 3 PER 305 mm.

NOTES:

(X-X)  
FOR  
DRAINAGE  
CALLOUTS  
SEE DWG NO  
116229-01-000

<b>WINNEBAGO</b>		COPYRIGHT 2006 WINNEBAGO INDUSTRIES, INC.	
D/FR	ORIG. DATE	ALL DIMENSIONS ARE IN MILLIMETERS	
CHKR			
P.E.			
M.E.	FIRST USED		
DSNR	06 726A		
UNSPECIFIED TOLERANCES ARE:		MATERIAL:	
WHOLE DIM (X)	: 3		
ONE-PLACE (X.X)	: 1.5		
TWO-PLACE (X.XX)	: 0.50		
ANGLE	: 1°		
THIRD ANGLE PROJECTION			
DO NOT SCALE DRAWING			
TITLE: DRAINAGE SYSTEM INSTL			
SHEET 1 OF 3	PART NO	154692	REV
REF:	1 6/13/2006		

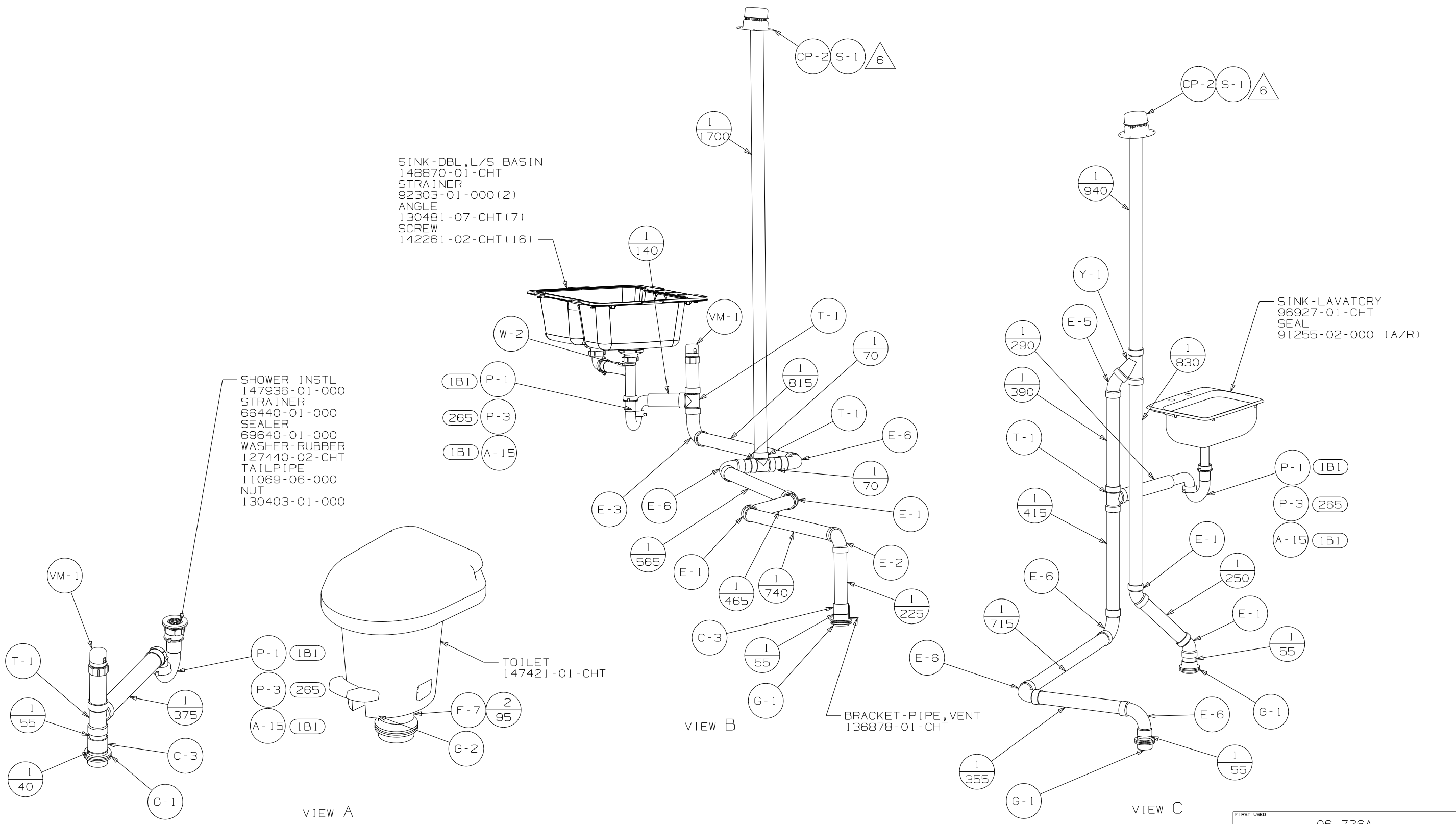
SINK-DBL,L/S BASIN  
 148870-01-CHT  
 STRAINER  
 92303-01-000(2)  
 ANGLE  
 130481-07-CHT(7)  
 SCREW  
 142261-02-CHT(16)

SHOWER INSTL  
 147936-01-000  
 STRAINER  
 66440-01-000  
 SEALER  
 69640-01-000  
 WASHER-RUBBER  
 127440-02-CHT  
 TAILPIPE  
 11069-06-000  
 NUT  
 130403-01-000

SINK-LAVATORY  
 96927-01-CHT  
 SEAL  
 91255-02-000 (A/R)

TOILET  
 147421-01-CHT

BRACKET-PIPE, VENT  
 136878-01-CHT

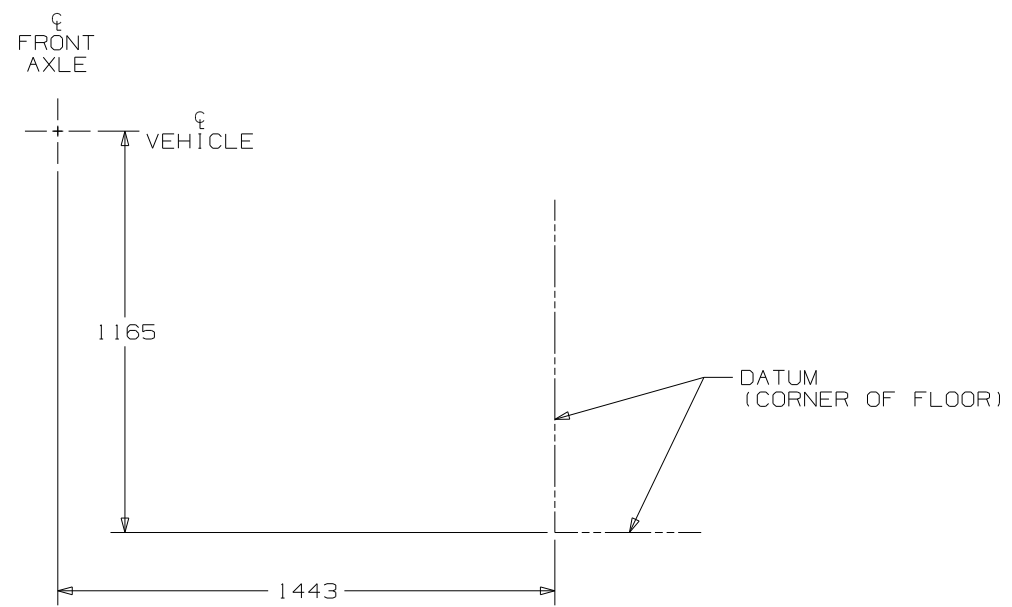


VIEW A

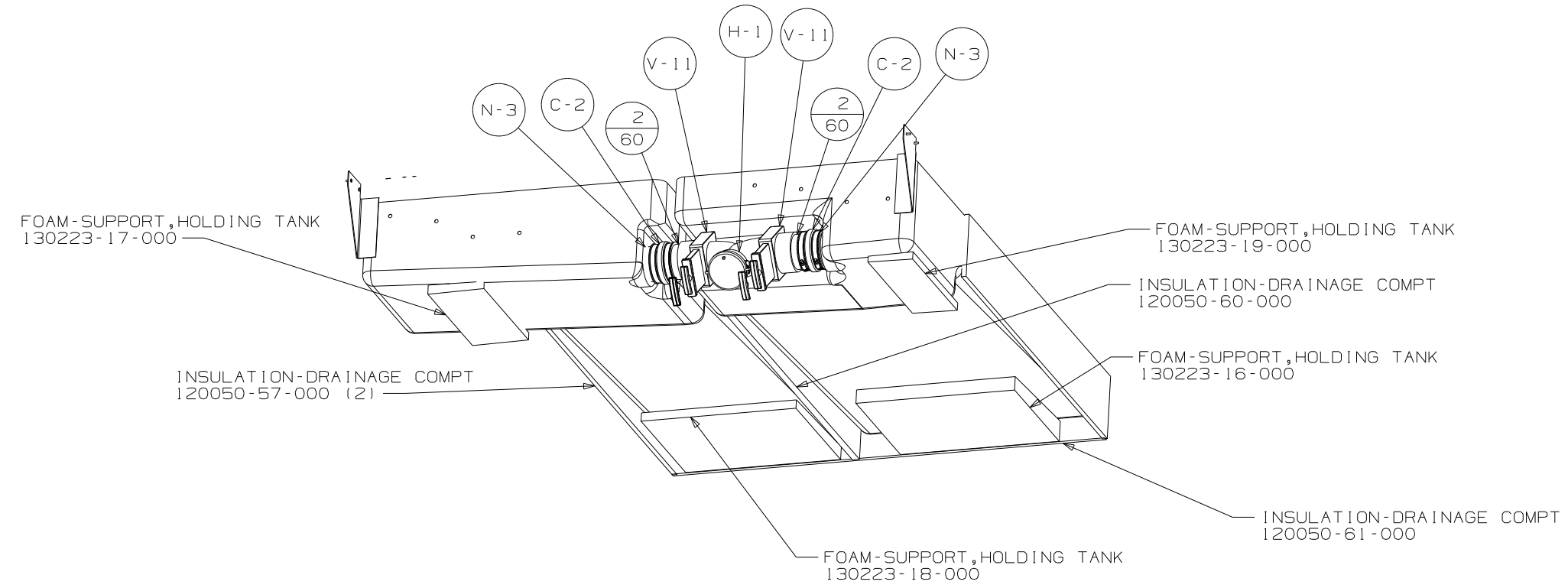
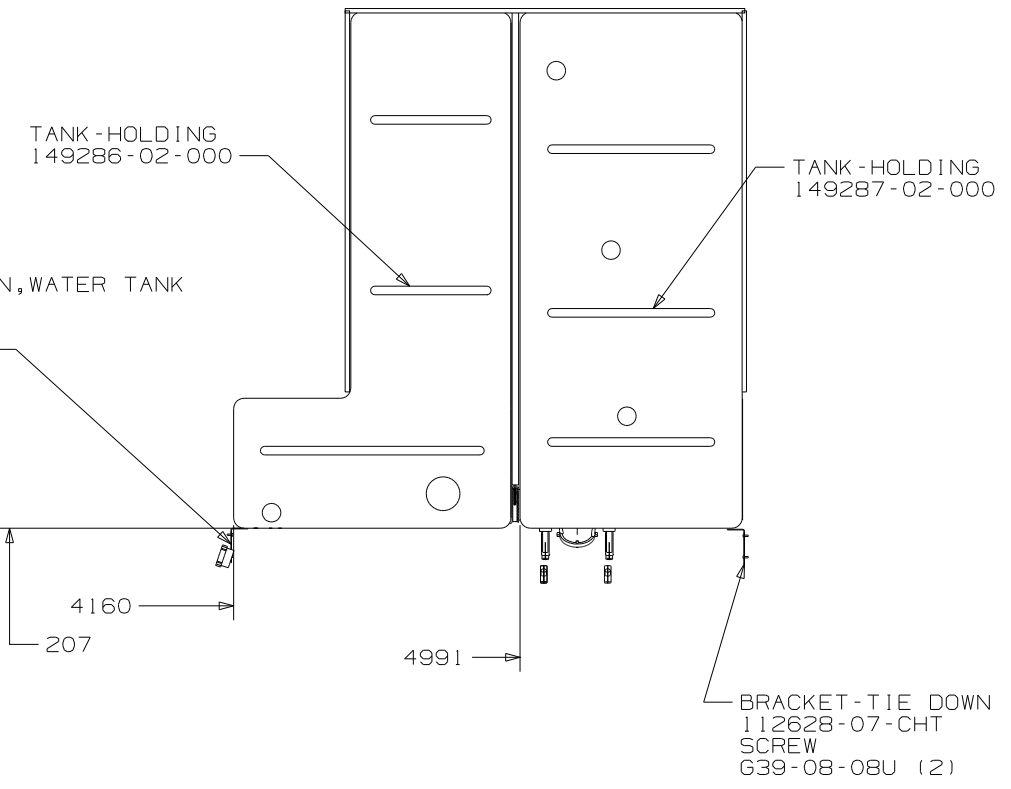
VIEW B

VIEW C

FIRST USED	06 726A	
TITLE	DO NOT SCALE DRAWING	
	DRAINAGE SYSTEM INSTL	
SHEET 2	PART NO	154692
	REV	



VIEW D

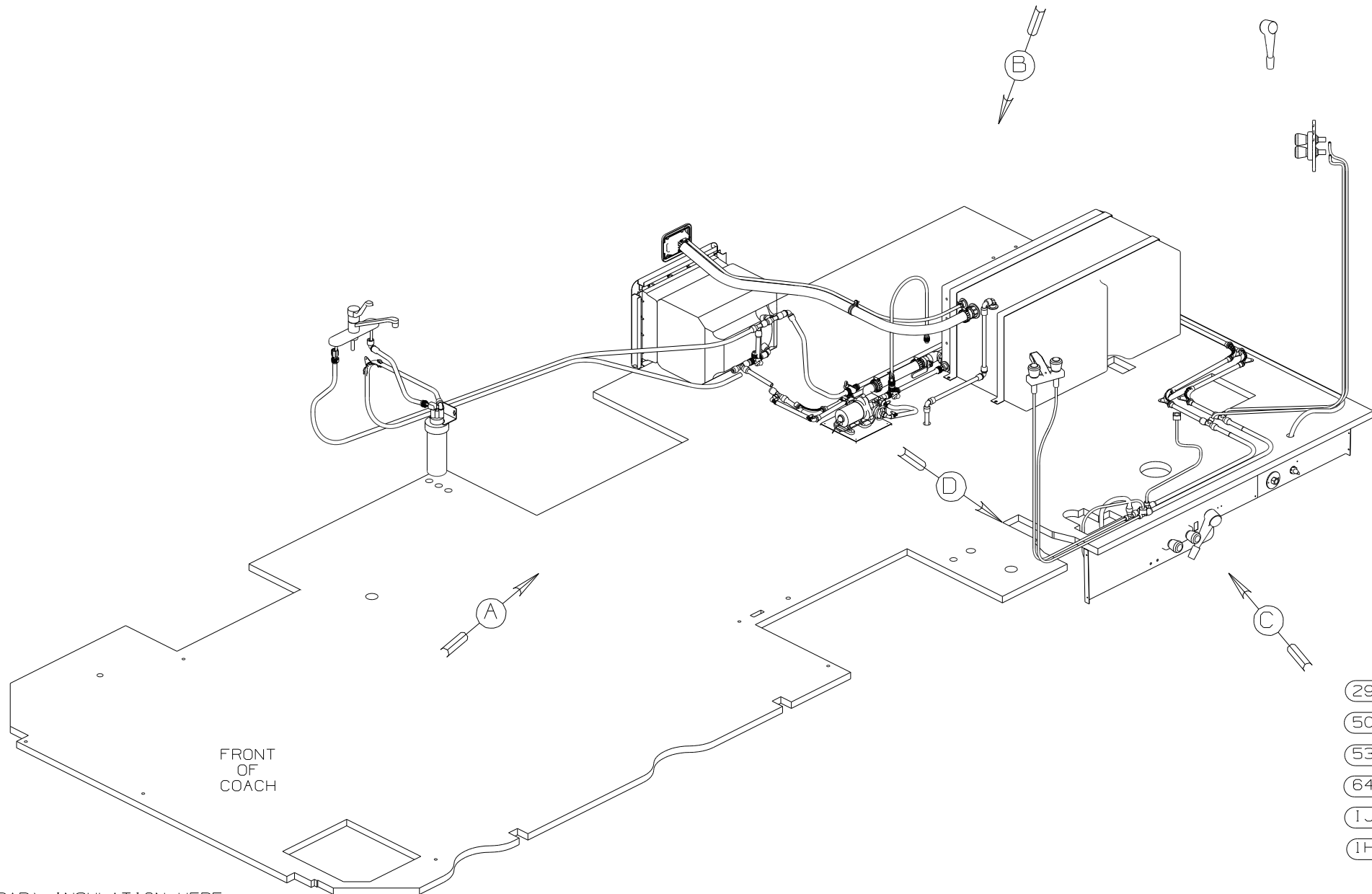


VIEW E

FIRST USED	06 726A	
TITLE	DO NOT SCALE DRAWING	
	DRAINAGE SYSTEM INSTL	
SHEET 3	PART NO	154692
	REV	

DWG NO	----
154690-01	RH SHOWN
154690-02	LH OPPOSITE

RELEASE	REV DATE	DWG NO
A		154690
REV ZONE	REVISION RECORD	DATE
		DFT-016

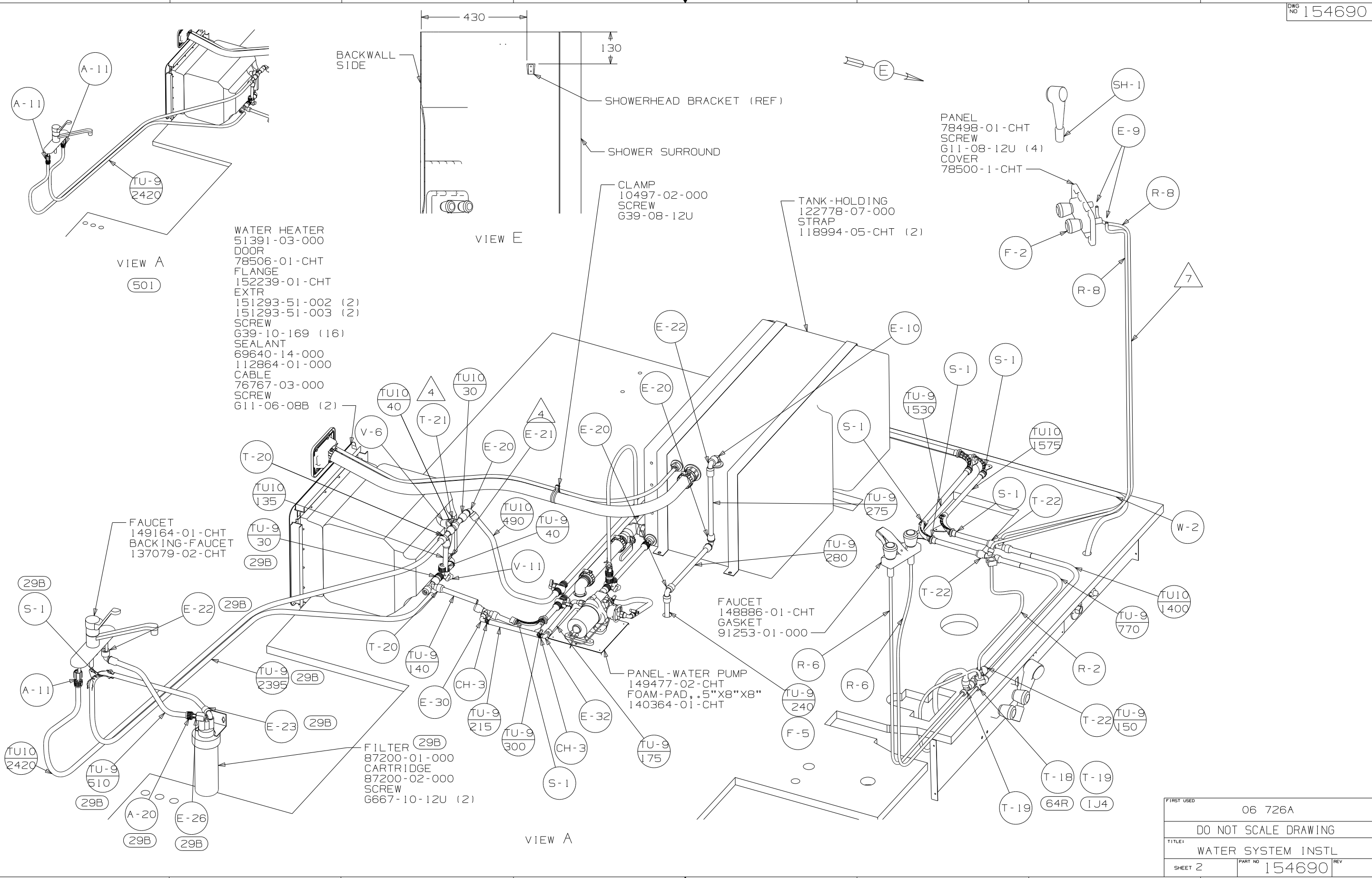


- (29B) WATER PURIFIER
- (50I) WATER PURIFIER W/O
- (53E) WATER SYS WINTERIZATION PKG
- (64R) EXTERIOR WASH STATION
- (1J4) EXTERIOR SHWR-W/O
- (1H6) AIR SPRING-WITHOUT

- NOTES:
7. ADD PIPE WRAP (LADDER SCRAP) INSULATION HERE
  6. ADD TEFLON TAPE 10405-03-000.
  5. ADD TEFLON TAPE 10405-02-000.
  4. ADD TEFLON TAPE 10405-01-000.
  3. ALL TUBING TO BE SECURED AT 1200 INTERVALS MAXIMUM WITH CLAMP 10495-01-000 OR CLIP 9151-01-000 AND SCREW G67-10-12B.
  2. TUBING TO BE INSTALLED WITH SUFFICIENT SLOPE TO PROVIDE DRAINAGE TO NEAREST VALVE.
  1. PLASTIC FITTINGS TO BE SEALED WITH SEALANT 84456-01-000.

(X-X)  
FOR WATER CALLOUTS SEE DWG NO 116230-01-000

<b>WINNEBAGO</b>		COPYRIGHT 2006 WINNEBAGO INDUSTRIES, INC.	
DFT-016	ORIG. DATE	ALL DIMENSIONS ARE IN MILLIMETERS	
CHKR		MATERIAL:	
P.E.		UNSPECIFIED TOLERANCES ARE:	
M.E.	FIRST USED	WHOLE DIM (X) : 3	
DSNR	06 726A	ONE-PLACE (X.X) : 1.5	
		TWO-PLACE (X.XX) : 0.50	
		ANGLE : 1°	
THIRD ANGLE PROJECTION			
DO NOT SCALE DRAWING			
TITLE: WATER SYSTEM INSTL			
SHEET 1 OF 3	PART NO	154690	REV
REF:	1 6/15/2006		



WATER HEATER  
51391-03-000  
DOOR  
78506-01-CHT  
FLANGE  
152239-01-CHT  
EXTR  
151293-51-002 (2)  
151293-51-003 (2)  
SCREW  
639-10-169 (16)  
SEALANT  
69640-14-000  
112864-01-000  
CABLE  
76767-03-000  
SCREW  
611-06-08B (2)

PANEL  
78498-01-CHT  
SCREW  
611-08-12U (4)  
COVER  
78500-1-CHT

TANK-HOLDING  
122778-07-000  
STRAP  
118994-05-CHT (2)

CLAMP  
10497-02-000  
SCREW  
639-08-12U

FAUCET  
148886-01-CHT  
GASKET  
91253-01-000

PANEL-WATER PUMP  
149477-02-CHT  
FOAM-PAD, .5"X8"X8"  
140364-01-CHT

FILTER  
87200-01-000  
CARTRIDGE  
87200-02-000  
SCREW  
6667-10-12U (2)

VIEW A  
(501)

VIEW E

VIEW A

FIRST USED	06 726A
DO NOT SCALE DRAWING	
TITLE:	WATER SYSTEM INSTL
SHEET 2	PART NO 154690 REV
1 6/15/2006	

