

- 9. SECURE VENT TUBES TO FLOOR WITH CLAMP 62401-02-000(2), SCREW G67-10-12B(2) AND BRACKET 136878-01-CHT(2).
- 8. SEE WIRING INSTRL-BODY, 12V FOR ELECTRICAL CONNECTION.
- 7. SECURE PIPES TO CABINET USING WIRE TIE 108046-02-000 AND SCREW G67-10-12B.
- 6. VENT PIPE MUST PROECT 51 MIN AND 64 MAX ABOVE ROOF FOR PROPER FIT AND FUNCTION.
- 5. SEAL AROUND SHOWER WITH SILICONE.
- 4. ALL EXTERIOR OPENINGS AROUND PIPE TO BE SEALED WITH 110744-01-000.
- 3. ALL PIPE AND FITTINGS TO BE ASSEMBLED WITH SOLVENT 4020-01-000 (US), 4020-02-000 (CAN).
- 2. SLOPE OF TRAP ARM MUST BE 6 PER 305 mm.
- 1. SLOPE OF HORIZONTAL PIPING TO BE MIN 3 PER 305 mm.

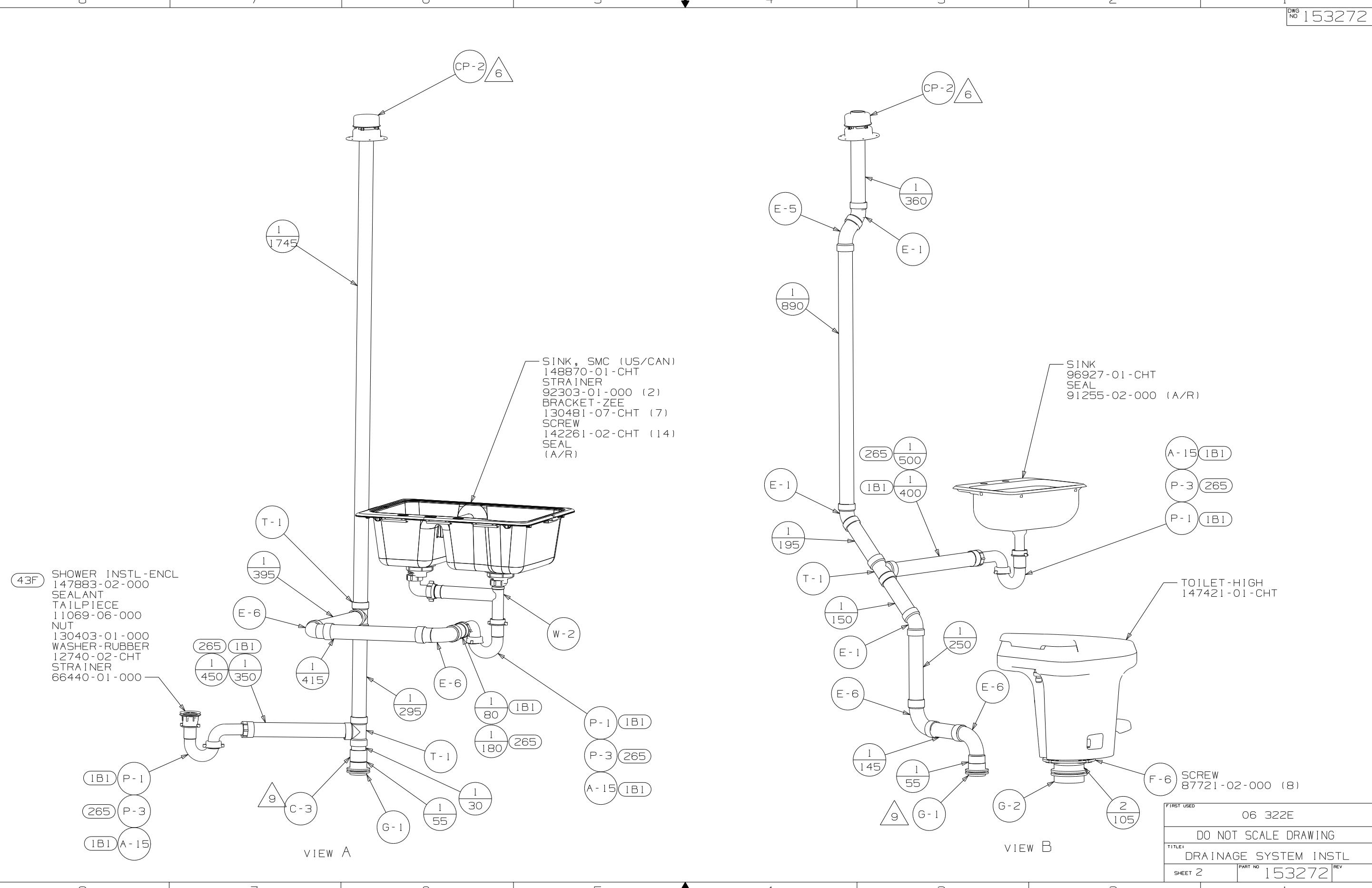
NOTES:

- (1B1) CODES/STANDARDS-USA
- (265) CODES/STDS-CSA/CMVSS
- (43F) SHOWER SURROUND
- (23T) DRAINAGE SYSTEM-HEATED

<b>WINNEBAGO</b>		COPYRIGHT 2006 WINNEBAGO INDUSTRIES, INC.	
DFTR	ORIG. DATE	ALL DIMENSIONS ARE IN MILLIMETERS	
CHKR		FIRST USED	
P.E.		06 322E	
M.E.		UNSPECIFIED TOLERANCES ARE:	
DSNR		MATERIAL:	
		WHOLE DIM (X)	: 3
		ONE-PLACE (X.X)	:
		TWO-PLACE (X.XX)	:
		ANGLE	:
THIRD ANGLE PROJECTION		DO NOT SCALE DRAWING	
TITLE: DRAINAGE SYSTEM INSTL			
SHEET 1 OF 3	PART NO	153272	REV

FOR DRAINAGE CALLOUTS SEE DWG NO 116229-01-000





SINK, SMC (US/CAN)  
148870-01-CHT  
STRAINER  
92303-01-000 (2)  
BRACKET-ZEE  
130481-07-CHT (7)  
SCREW  
142261-02-CHT (14)  
SEAL  
(A/R)

SINK  
96927-01-CHT  
SEAL  
91255-02-000 (A/R)

43F SHOWER INSTL-ENCL  
147883-02-000  
SEALANT  
TAILPIECE  
11069-06-000  
NUT  
130403-01-000  
WASHER-RUBBER  
12740-02-CHT  
STRAINER  
66440-01-000

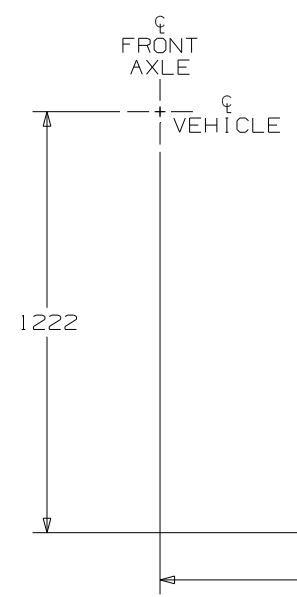
TOILET-HIGH  
147421-01-CHT

SCREW  
87721-02-000 (8)

VIEW A

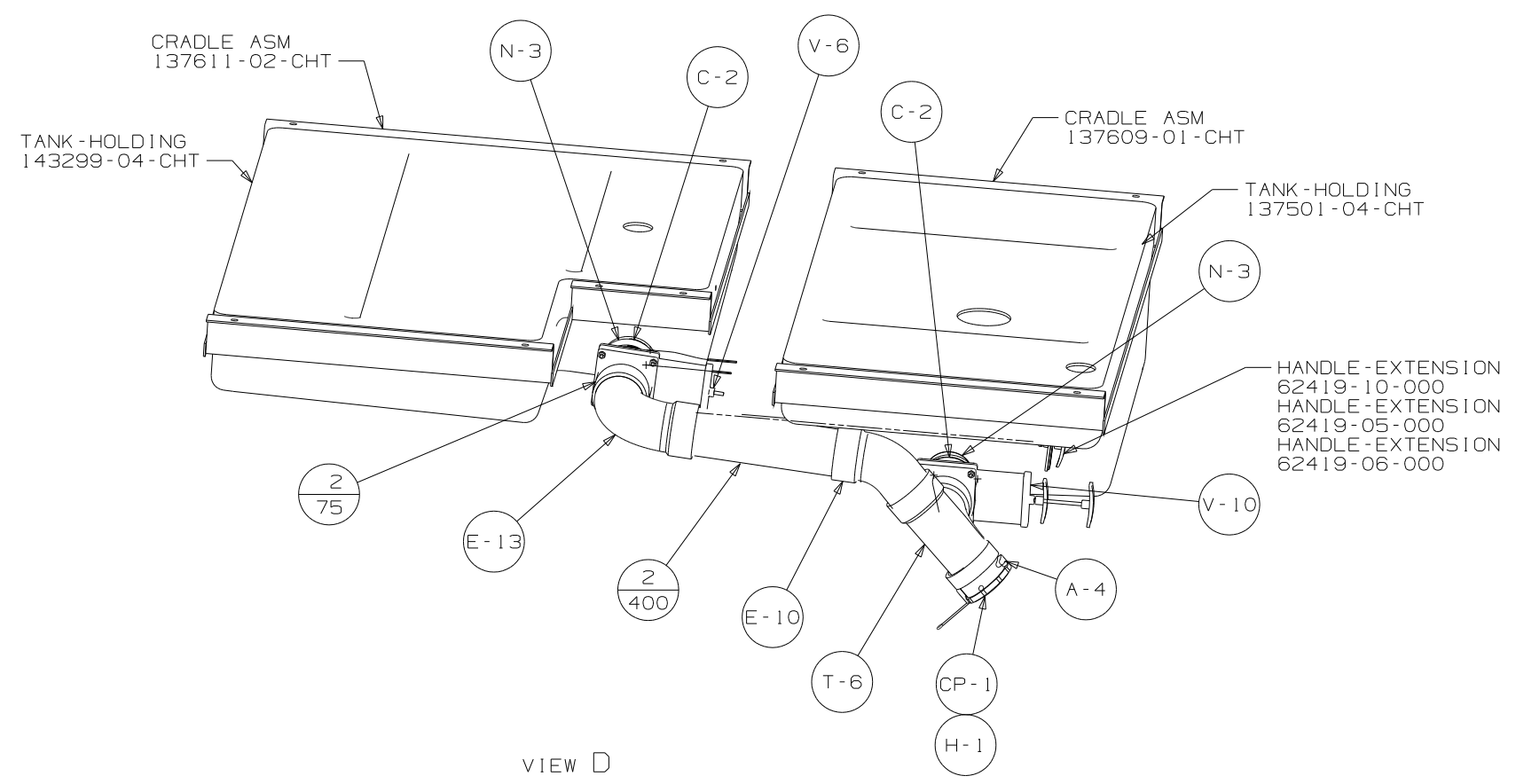
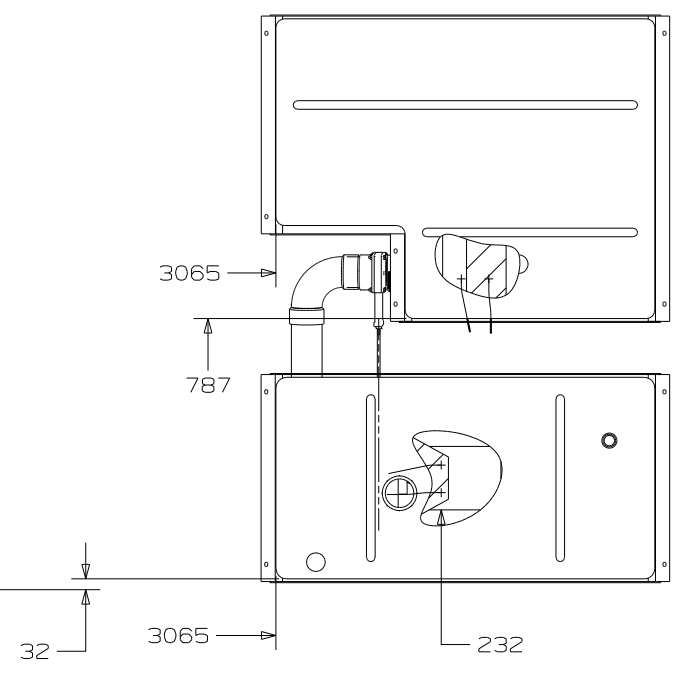
VIEW B

FIRST USED	06 322E
DO NOT SCALE DRAWING	
TITLE	DRAINAGE SYSTEM INSTL
SHEET 2	PART NO 153272 REV

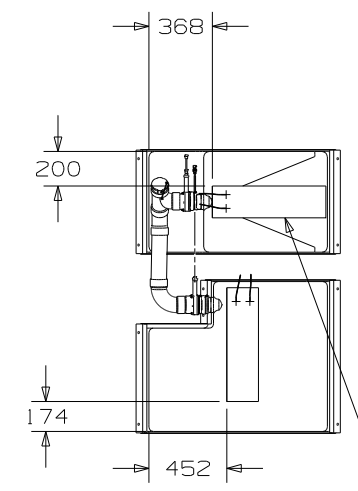


1498

VIEW C



VIEW D

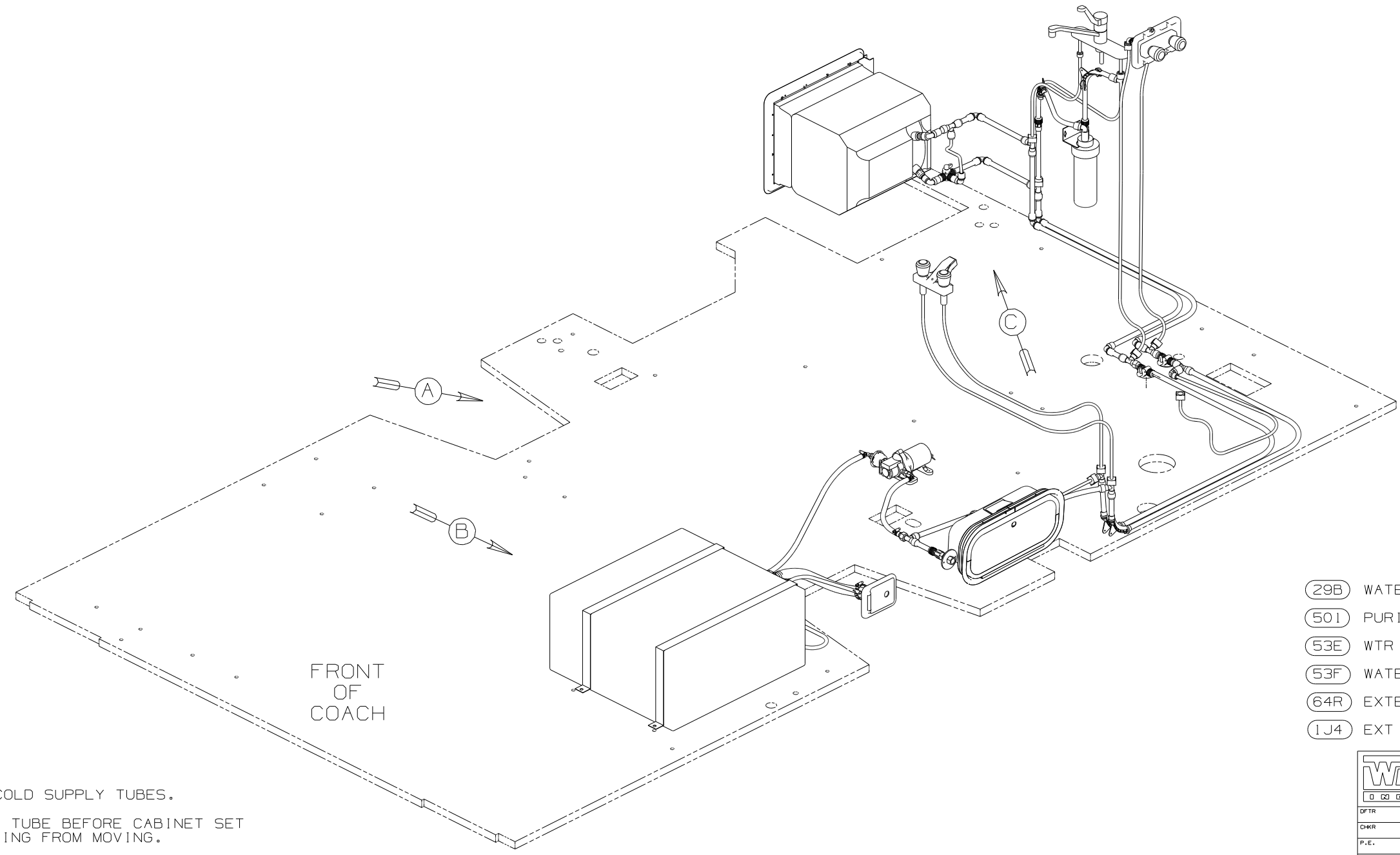


VIEW E

PAD-HEATER (23T)  
133972-01-000 (2)



FIRST USED	06 322E
TITLE	DO NOT SCALE DRAWING
SHEET 3	PART NO 153272 REV
1 6/13/2006	



- (29B) WATER PURIFIER
- (50I) PURIFIER WITHOUT
- (53E) WTR SYS WNTRZNG PKG
- (53F) WATER HEATER-ELEC IGNITION
- (64R) EXTERIOR WASH STATION
- (1J4) EXT WASH STATION-WITHOUT

- NOTES:
- 7 LABEL HOT AND COLD SUPPLY TUBES.
  - 6 TAPE FITTING TO TUBE BEFORE CABINET SET TO PREVENT FITTING FROM MOVING.
  - 5 ADD TEFLON TAPE 10405-01-000.
  - 4 ADD TEFLON TAPE 10405-02-000.
3. ALL TUBING TO BE SECURED AT 1200 INTERVALS MAXIMUM WITH CLAMP 10495-01-000 OR CLIP 9151-01-000 AND SCREW 667-10-12B.
  2. TUBING TO BE INSTALLED WITH SUFFICIENT SLOPE TO PROVIDE DRAINAGE TO NEAREST VALVE.
  1. PLASTIC FITTINGS TO BE SEALED WITH SEALANT 84456-01-000.

(X-X)  
FOR  
WATER  
CALLOUTS  
SEE DWG NO  
116230-01-000

<b>WINNEBAGO</b>		COPYRIGHT 2006 WINNEBAGO INDUSTRIES, INC.	
DFTR	ORIG. DATE	ALL DIMENSIONS ARE IN MILLIMETERS	
CHKR		FIRST USED	
P.E.		06 322E	
M.E.		UNSPECIFIED TOLERANCES ARE:	
DSNR		MATERIAL:	
		WHOLE DIM (X) :	3
		ONE-PLACE (X.X) :	
		TWO-PLACE (X.XX) :	
		ANGLE :	
THIRD ANGLE PROJECTION		DO NOT SCALE DRAWING	
TITLE: WATER SYSTEM INSTL			
SHEET 1 OF 3	PART NO	153271	REV
REF:	1 6/13/2006		

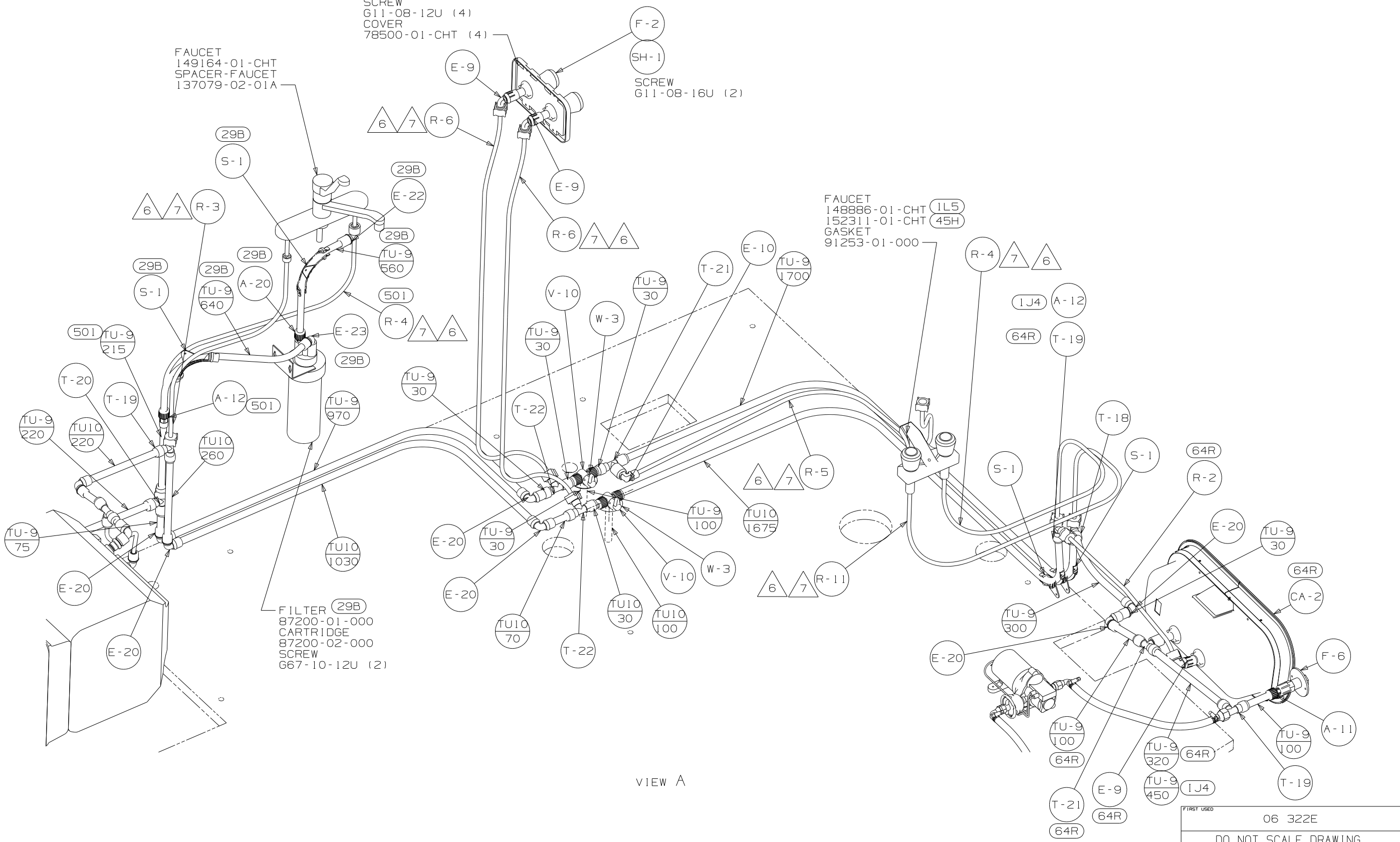
PANEL  
78498-01-CHT  
SCREW  
G11-08-12U (4)  
COVER  
78500-01-CHT (4)

FAUCET  
149164-01-CHT  
SPACER-FAUCET  
137079-02-01A

SCREW  
G11-08-16U (2)

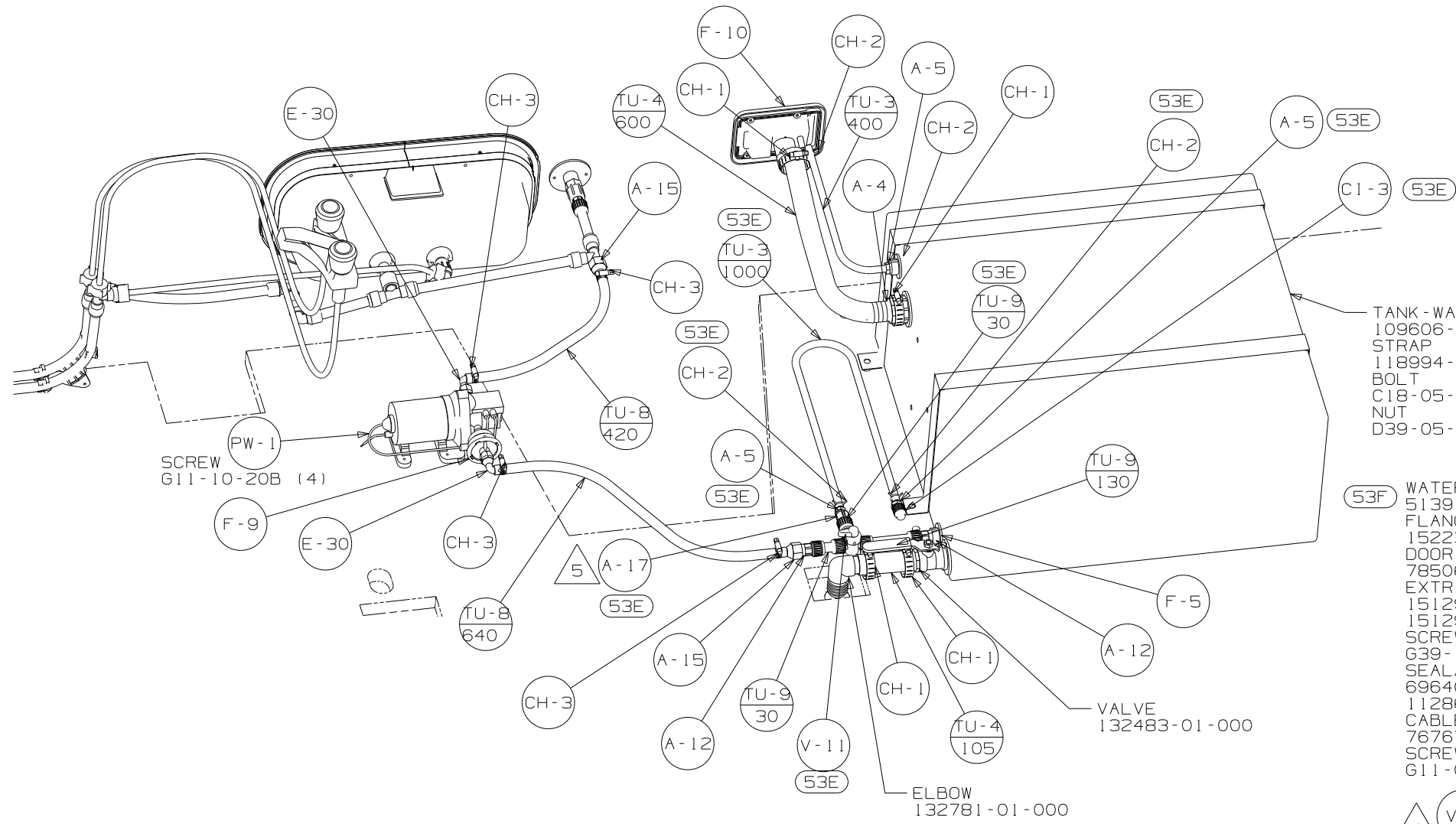
FAUCET  
148886-01-CHT (1L5)  
152311-01-CHT (45H)  
GASKET  
91253-01-000

FILTER (29B)  
87200-01-000  
CARTRIDGE  
87200-02-000  
SCREW  
G67-10-12U (2)

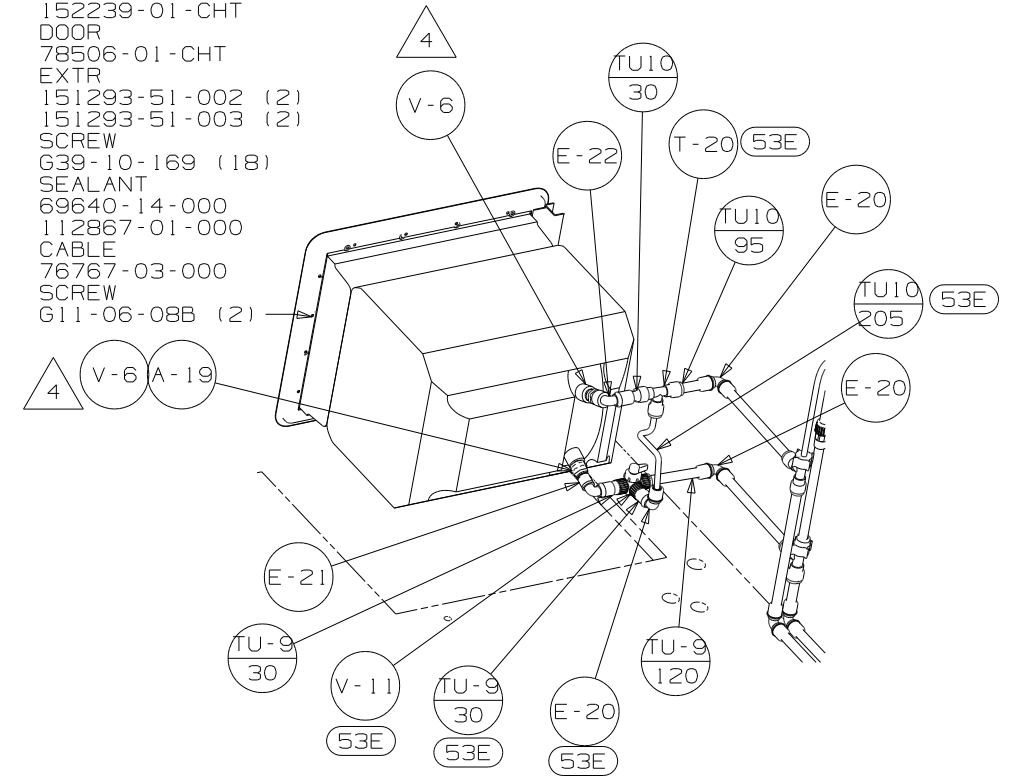


VIEW A

FIRST USED	06 322E		
TITLE	DO NOT SCALE DRAWING		
	WATER SYSTEM INSTL		
SHEET 2	PART NO	153271	REV



VIEW B



VIEW C

FIRST USED	06 322E		
TITLE	DO NOT SCALE DRAWING		
	WATER SYSTEM INSTL		
SHEET 3	PART NO	153271	REV