



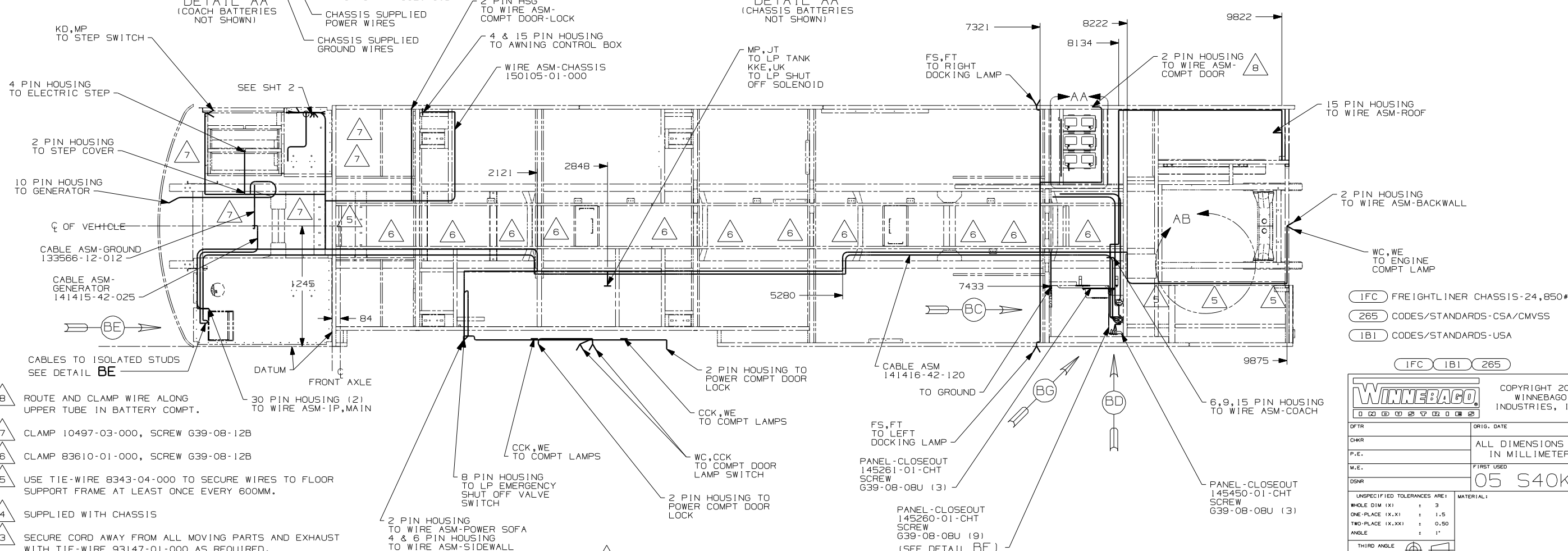
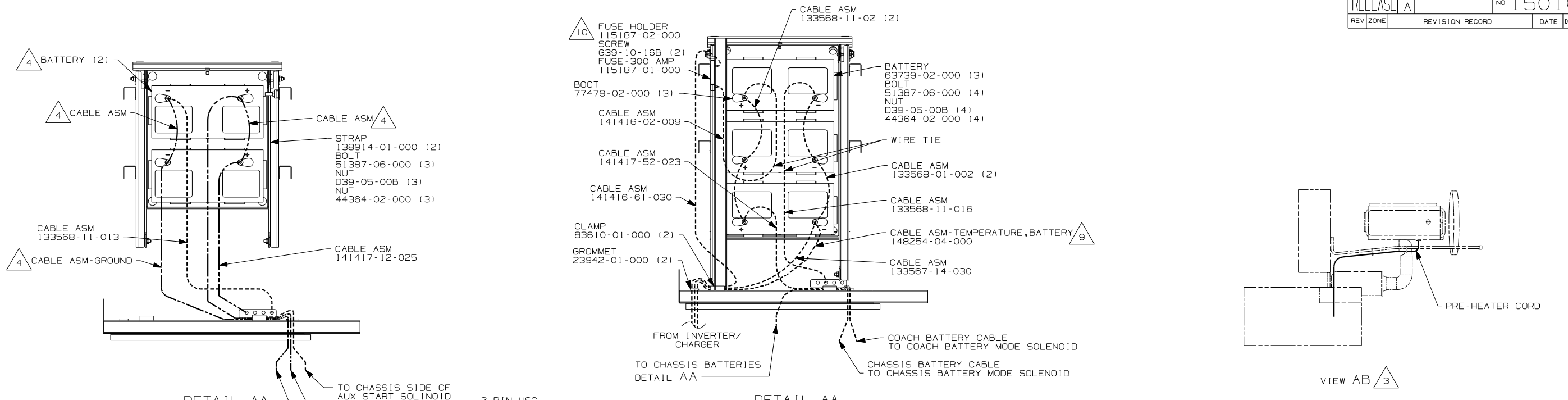
**DANGER**

**Danger of electrical shock, burns or death.** Always remove all power sources before attempting any repair, service or diagnostic work. Power can be present from shore power, generator, inverter or battery. All power sources must be disabled and secured before performing any service.



**CAUTION**

If you lack the skills, tools or equipment to perform diagnostic or repair work leave such work to an authorized Winnebago Industries dealer or other qualified shop.



- 8 ROUTE AND CLAMP WIRE ALONG UPPER TUBE IN BATTERY COMPT.
- 7 CLAMP 10497-03-000, SCREW G39-08-12B
- 6 CLAMP 83610-01-000, SCREW G39-08-12B
- 5 USE TIE-WIRE 8343-04-000 TO SECURE WIRES TO FLOOR SUPPORT FRAME AT LEAST ONCE EVERY 600MM.
- 4 SUPPLIED WITH CHASSIS
- 3 SECURE CORD AWAY FROM ALL MOVING PARTS AND EXHAUST WITH TIE-WIRE 93147-01-000 AS REQUIRED.
- 2 SEE WIRING INSTL-FRONT END FOR ADDITIONAL INFORMATION.

1. LEGEND: — WINNEBAGO: - - - - - CABLE: - - - - - CHASSIS SUPPLIED WIRING.

NOTES:

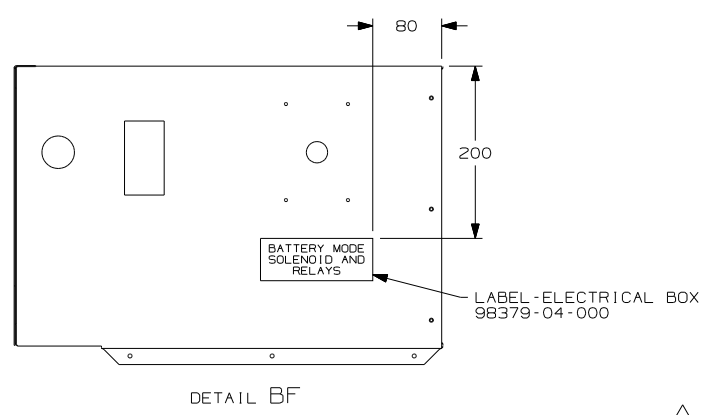
- 10 MOUNT FUSE HOLDER HORIZONTALLY 20mm DOWN FROM FLOOR TUBE.
- 9 CONNECT RING TERMINAL OF CABLE ASM-TEMP, BATTERY TO NEGATIVE POST AS SHOWN AND ROUTE CABLE WITH NEGATIVE BATTERY CABLE TO INVERTER.

FOR ELECTRICAL TORQUE SPECIFICATIONS SEE DWG NO. 128783-01-000

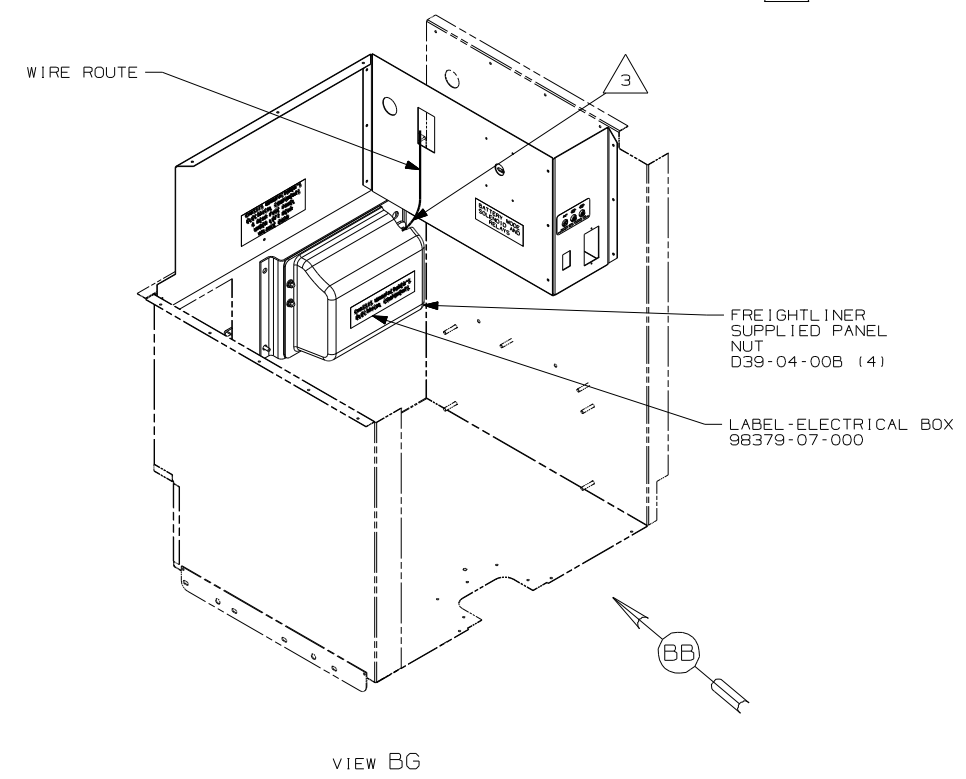
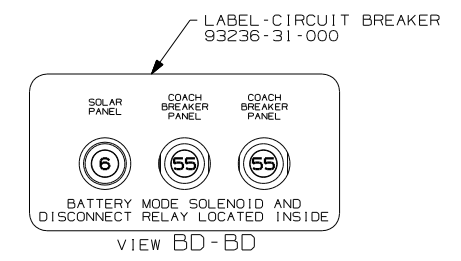
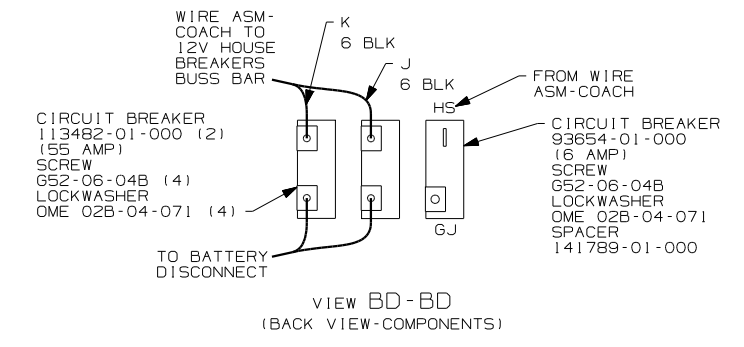
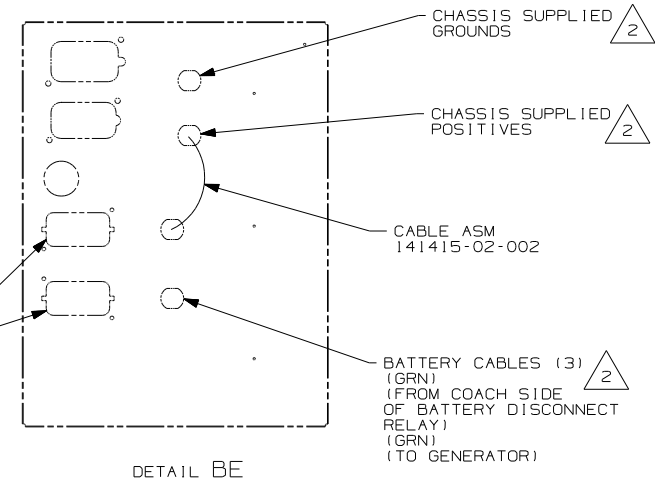
IFC FREIGHTLINER CHASSIS-24,850#  
 265 CODES/STANDARDS-CSA/CMVSS  
 1B1 CODES/STANDARDS-USA

IFC 1B1 265

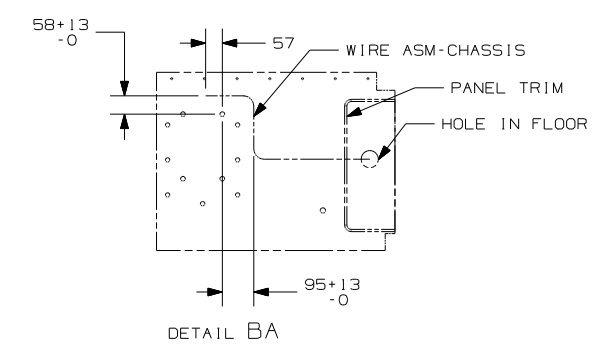
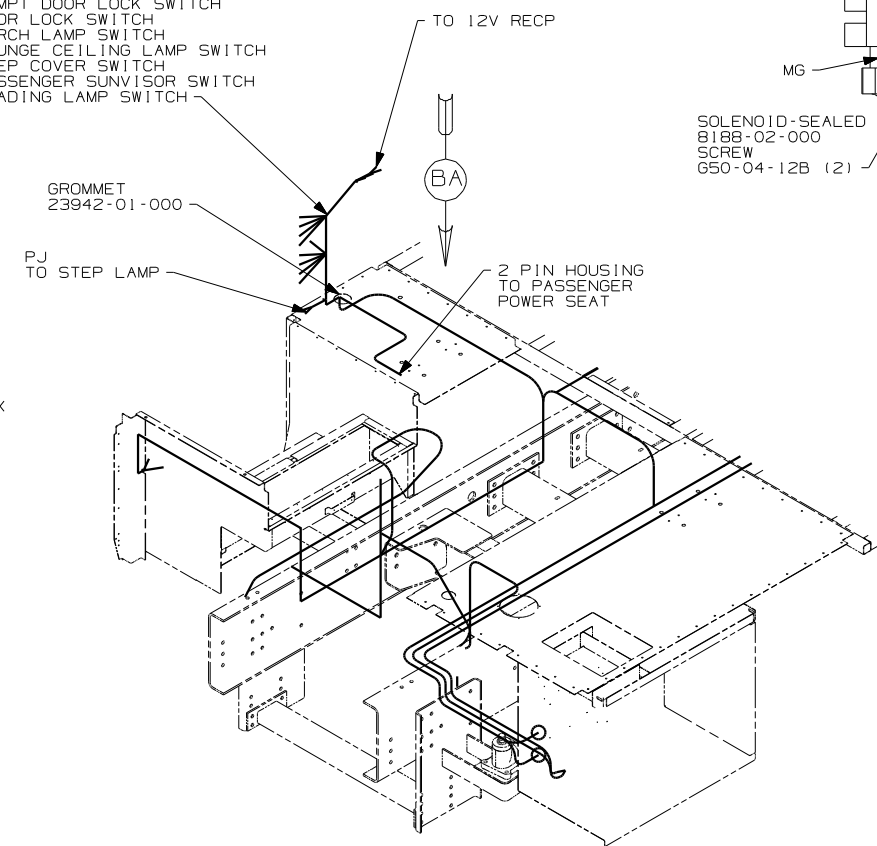
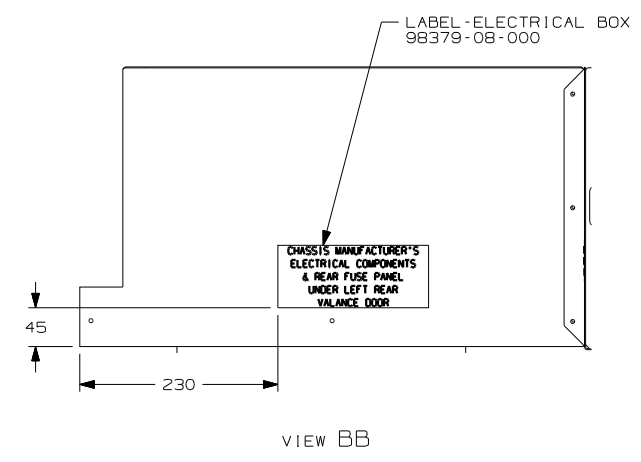
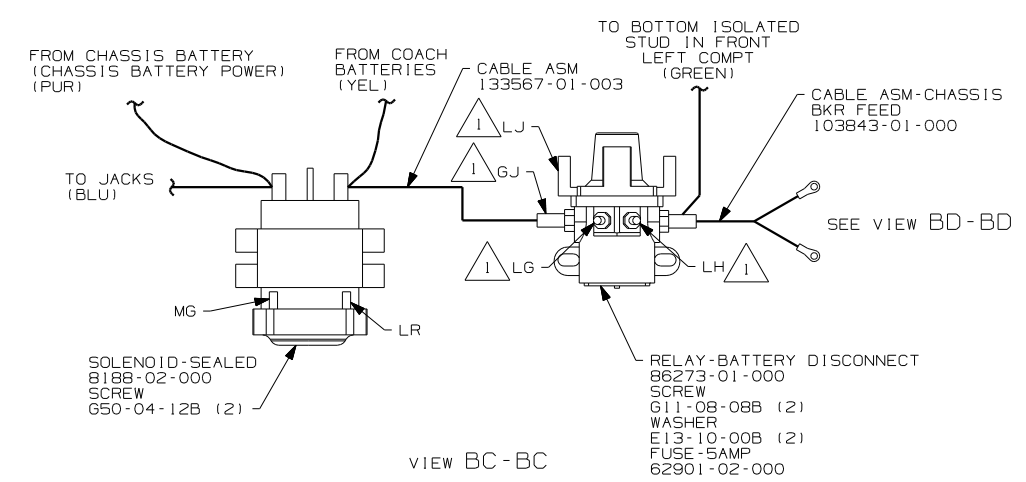
<b>WINNEBAGO</b>		COPYRIGHT 2004 WINNEBAGO INDUSTRIES, INC.	
DFTR	ORIG. DATE		
CHKR	ALL DIMENSIONS ARE IN MILLIMETERS		
P.E.	FIRST USED	05 S40KD	
M.E.			
DSNR			
UNSPECIFIED TOLERANCES ARE:		MATERIAL:	
WHOLE DIM (X)	: 3		
ONE-PLACE (X.X)	: 1.5		
TWO-PLACE (X.XX)	: 0.50		
ANGLE	: 1°		
THIRD ANGLE PROJECTION			
<b>DO NOT SCALE DRAWING</b>			
TITLE: WIRING INSTL-CHASSIS			
SHEET 1 OF 2		PART NO 150106	
REF: 147311-F   3/25/2005			



30 PIN HOUSING (2)  
TO WIRE ASM-1P, MAIN



9 PIN HOUSING  
TO WIRE ASM-SIDEWALL  
12 PIN HOUSING (11)  
TO AWNING SELECTOR SWITCH  
TO AWNING CONTROL SWITCH  
TO STEP SWITCH  
TO BATTERY DISCONNECT SWITCH  
TO COMPT DOOR LOCK SWITCH  
TO DOOR LOCK SWITCH  
TO PORCH LAMP SWITCH  
TO LOUNGE CEILING LAMP SWITCH  
TO STEP COVER SWITCH  
TO PASSENGER SUNVISOR SWITCH  
TO READING LAMP SWITCH



- NOTES:
- 3 BOX TO BE ORIENTED SO CHASSIS WIRING ROUTES OUT THE TOP RIGHT CORNER.
  - 2 SEE WIRING INSTL-FRONT END FOR ADDITIONAL INFORMATION.
  - 1 CIRCUITS BRANCH FROM WIRE ASM-CHASSIS.

FOR ELECTRICAL TORQUE SPECIFICATIONS SEE DWG NO. 128783-01-000

FIRST USED	05 S40KD	
TITLE	DO NOT SCALE DRAWING	
	WIRING INSTL-CHASSIS	
SHEET 2	PART NO	150106