



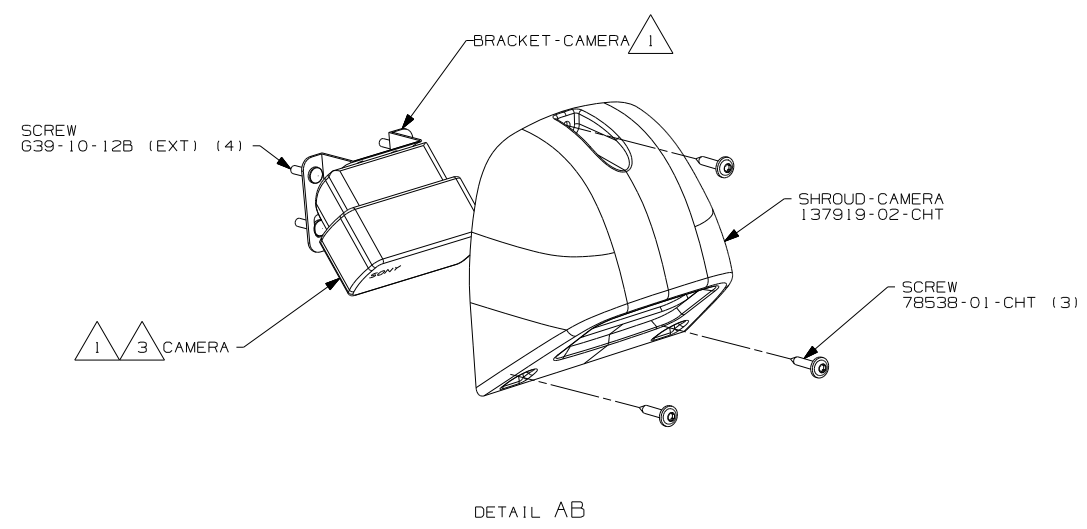
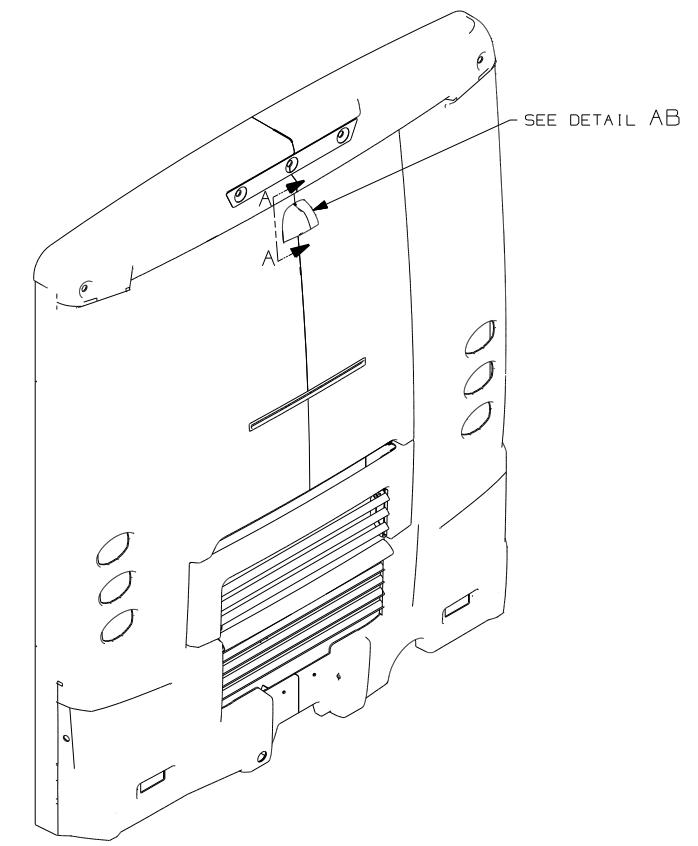
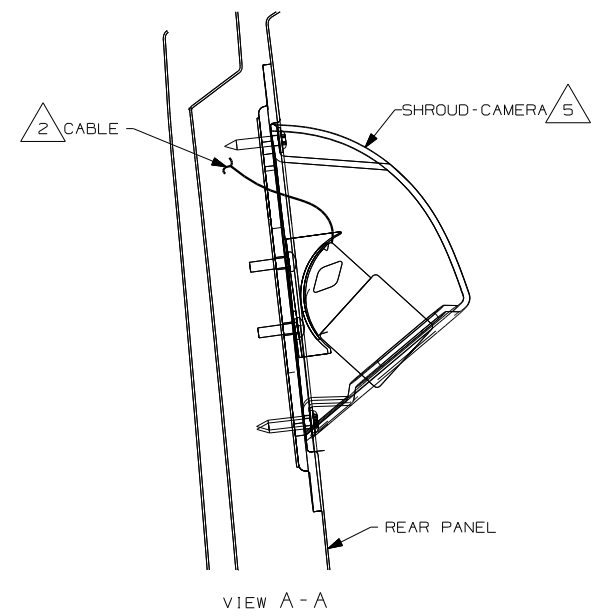
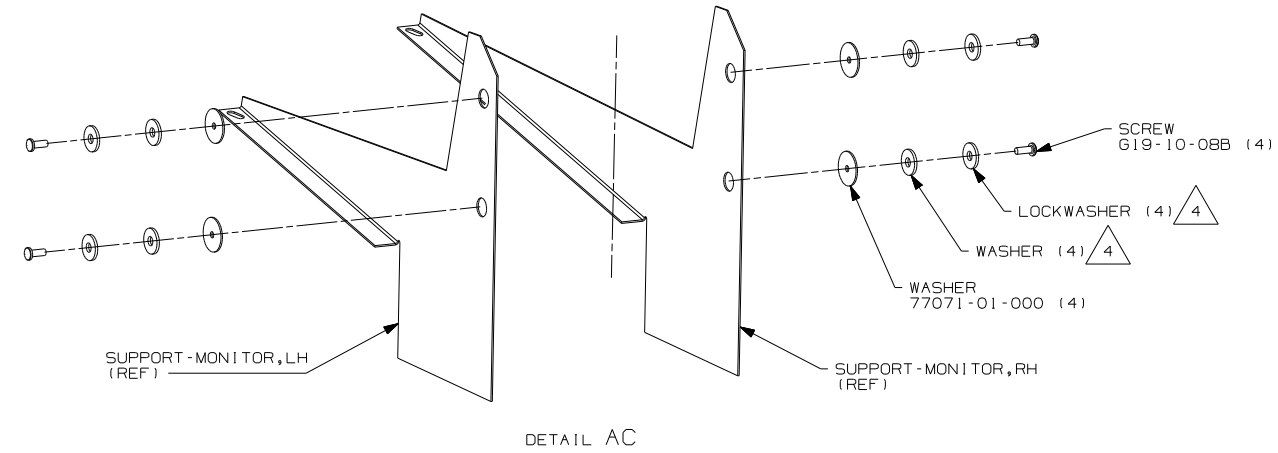
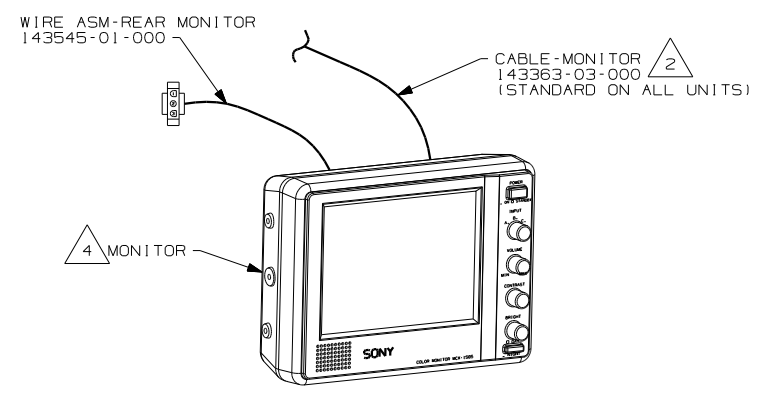
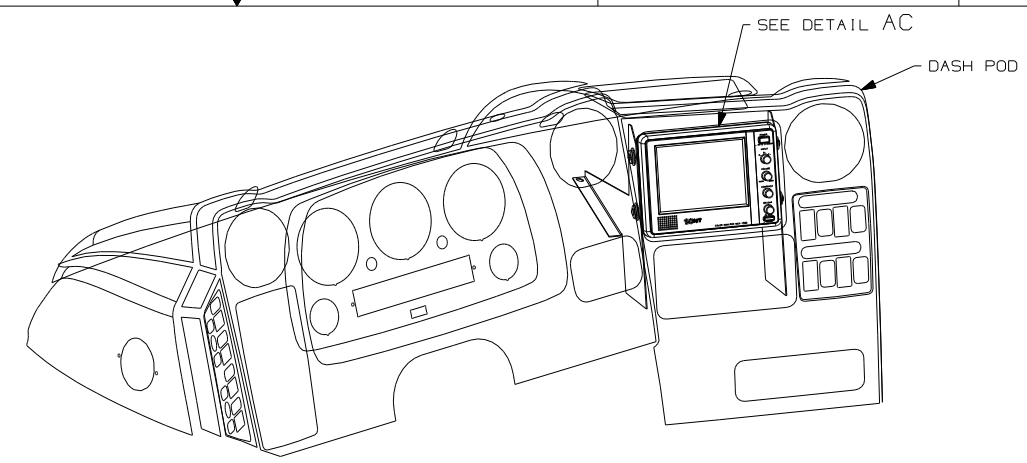
DANGER

Danger of electrical shock, burns or death. Always remove all power sources before attempting any repair, service or diagnostic work. Power can be present from shore power, generator, inverter or battery. All power sources must be disabled and secured before performing any service.



CAUTION

If you lack the skills, tools or equipment to perform diagnostic or repair work leave such work to an authorized Winnebago Industries dealer or other qualified shop.



- NOTES:
- 5 SEE PANEL-REAR CAP FOR LOCATION.
 - 4 PARTS SUPPLIED WITH MONITOR P/N: 143363-01-000.
 - 3 ALIGN TV SYSTEM CENTER OF SHROUD OPENING.
 - 2 RUN CABLE THRU LEFT HAND COVE TO FRONT OF UNIT AND DOWN LEFT A-PILLAR TO MONITOR.
 - 1 PARTS SUPPLIED WITH REAR CAMERA P/N: 143363-05-000.

74J REARVIEW MONITOR SYSTEM

74J

WINNEBAGO COPYRIGHT 2004 WINNEBAGO INDUSTRIES, INC.

DFTR	ORIG. DATE
CHKR	ALL DIMENSIONS ARE IN MILLIMETERS
P.E.	
M.E.	FIRST USED
DSNR	05 S-SERIES

UNSPECIFIED TOLERANCES ARE:

WHOLE DIM (X)	:	
ONE-PLACE (X.X)	:	1
TWO-PLACE (X.XX)	:	
ANGLE	:	

THIRD ANGLE PROJECTION

DO NOT SCALE DRAWING

TITLE: MONITOR INSTL

SHEET 1 OF 1 PART NO 148641

REF: 146009-B | 04/22/2004