



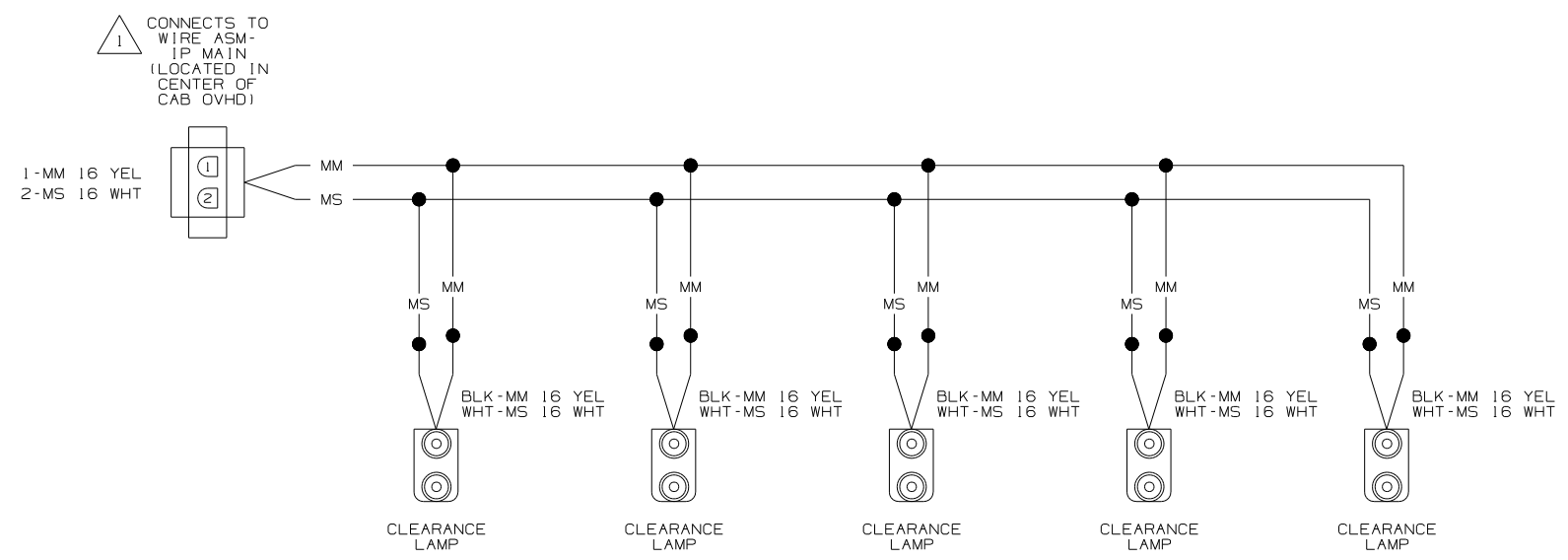
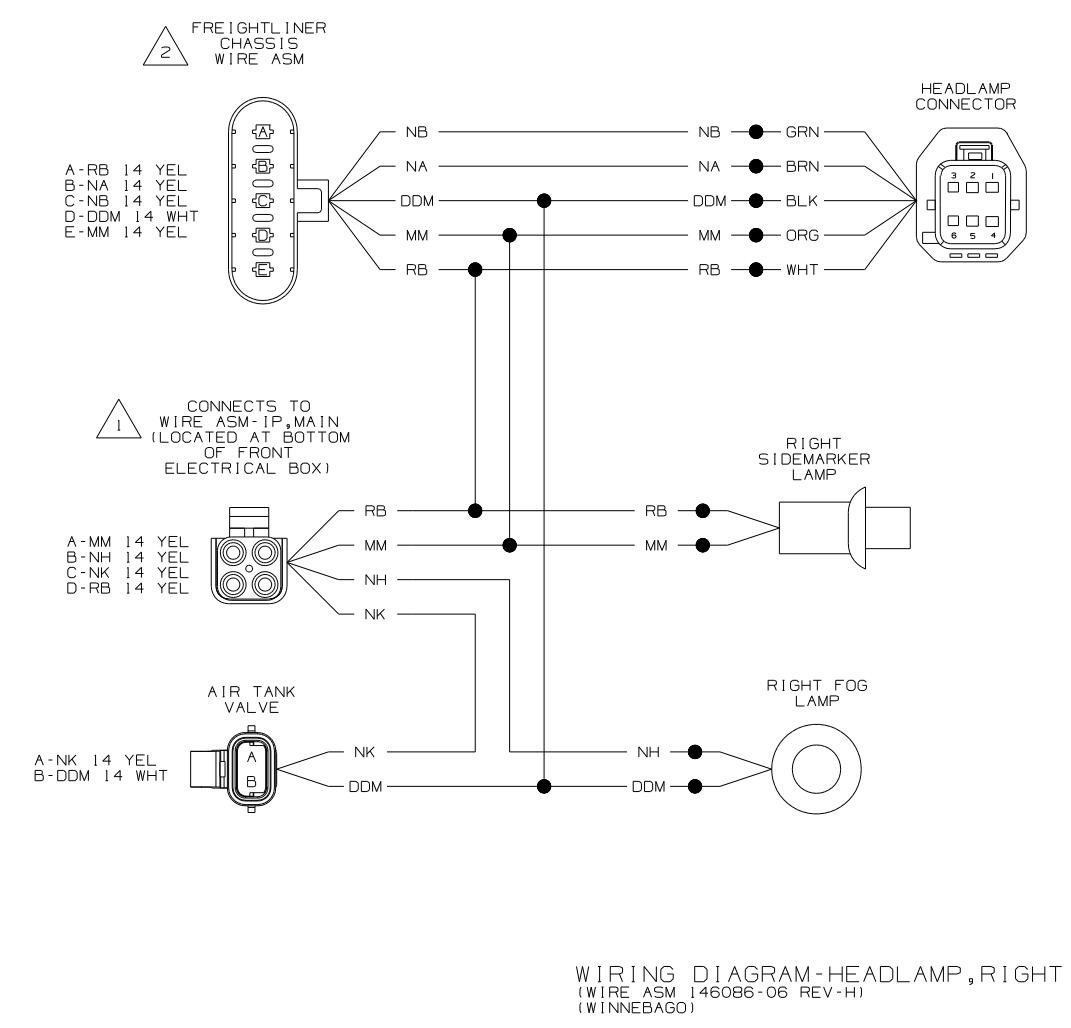
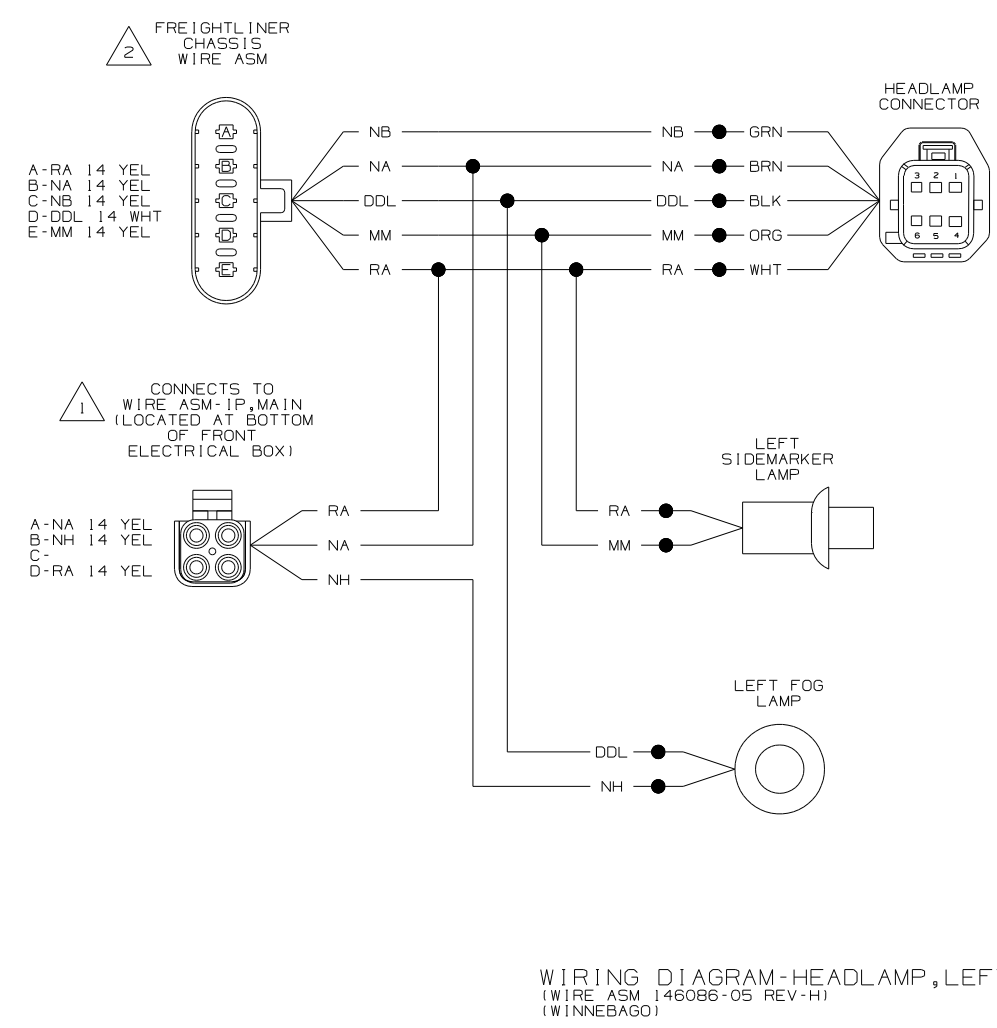
DANGER

Danger of electrical shock, burns or death. Always remove all power sources before attempting any repair, service or diagnostic work. Power can be present from shore power, generator, inverter or battery. All power sources must be disabled and secured before performing any service.



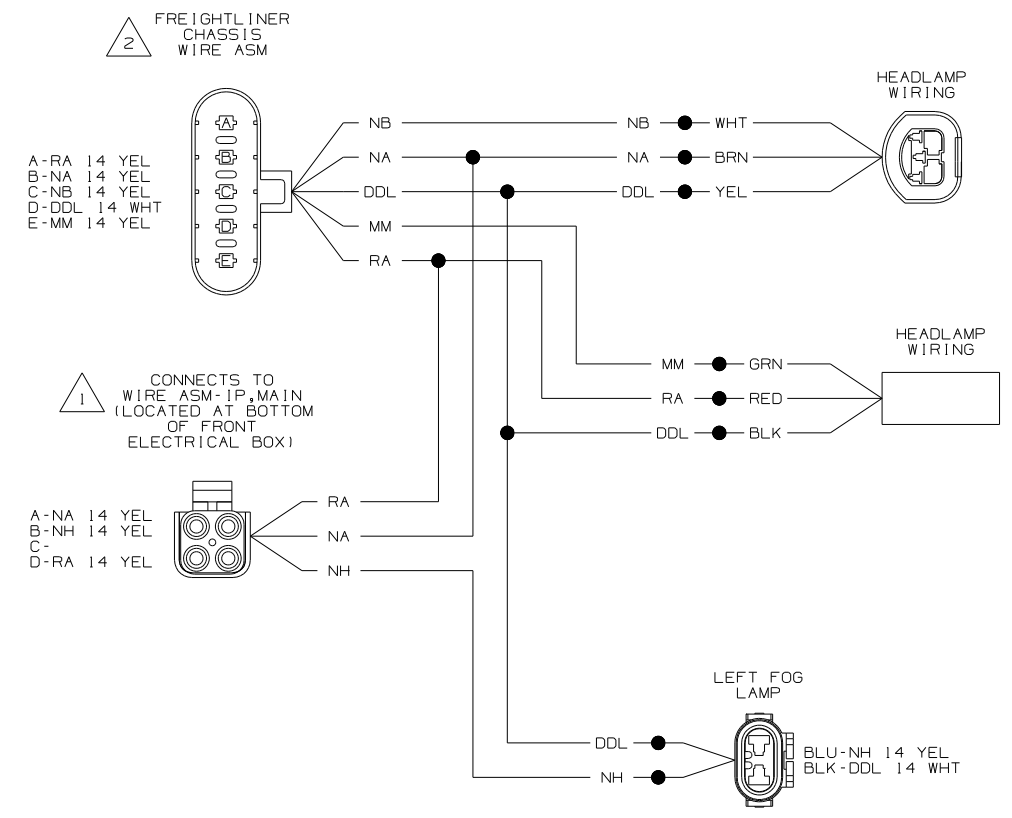
CAUTION

If you lack the skills, tools or equipment to perform diagnostic or repair work leave such work to an authorized Winnebago Industries dealer or other qualified shop.

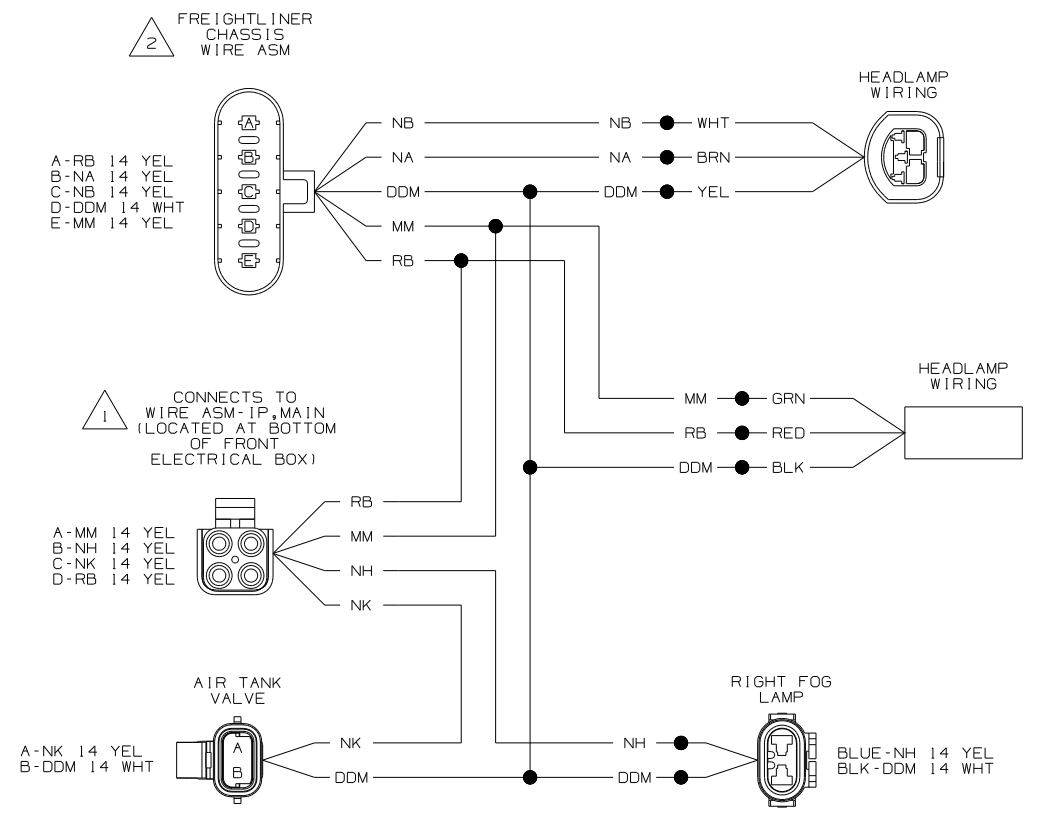


NOTES:
 2 SEE MANUFACTURER'S DIAGRAM FOR ADDITIONAL INFORMATION.
 1 SEE WIRING DIAGRAM AUTO FOR ADDITIONAL INFORMATION.

| | | | |
|-------------------------------------|------------|-------------------------------------------------|---|
| WINNEBAGO | | COPYRIGHT 2004 WINNEBAGO INDUSTRIES, INC. | |
| DTR | ORIG. DATE | ALL DIMENSIONS ARE IN MILLIMETERS | |
| CHKR | | FIRST USED | |
| P.E. | | 05 S-SERIES | |
| M.E. | | UNSPECIFIED TOLERANCES ARE: | |
| DSNR | | MATERIAL: | |
| | | WHOLE DIM (X) | : |
| | | ONE-PLACE (X.X) | : |
| | | TWO-PLACE (X.XX) | : |
| | | ANGLE | : |
| | | THIRD ANGLE PROJECTION | |
| DO NOT SCALE DRAWING | | | |
| TITLE: WIRING DIAGRAM-AUTO LAMPS | | | |
| SHEET 1 of 4 | PART NO | 148570 | |
| REF: 145023 6/25/2004 | | | |



WIRING DIAGRAM-HEADLAMP, LEFT
(WIRE ASM 146086-07 REV-H)
(ITASCA)



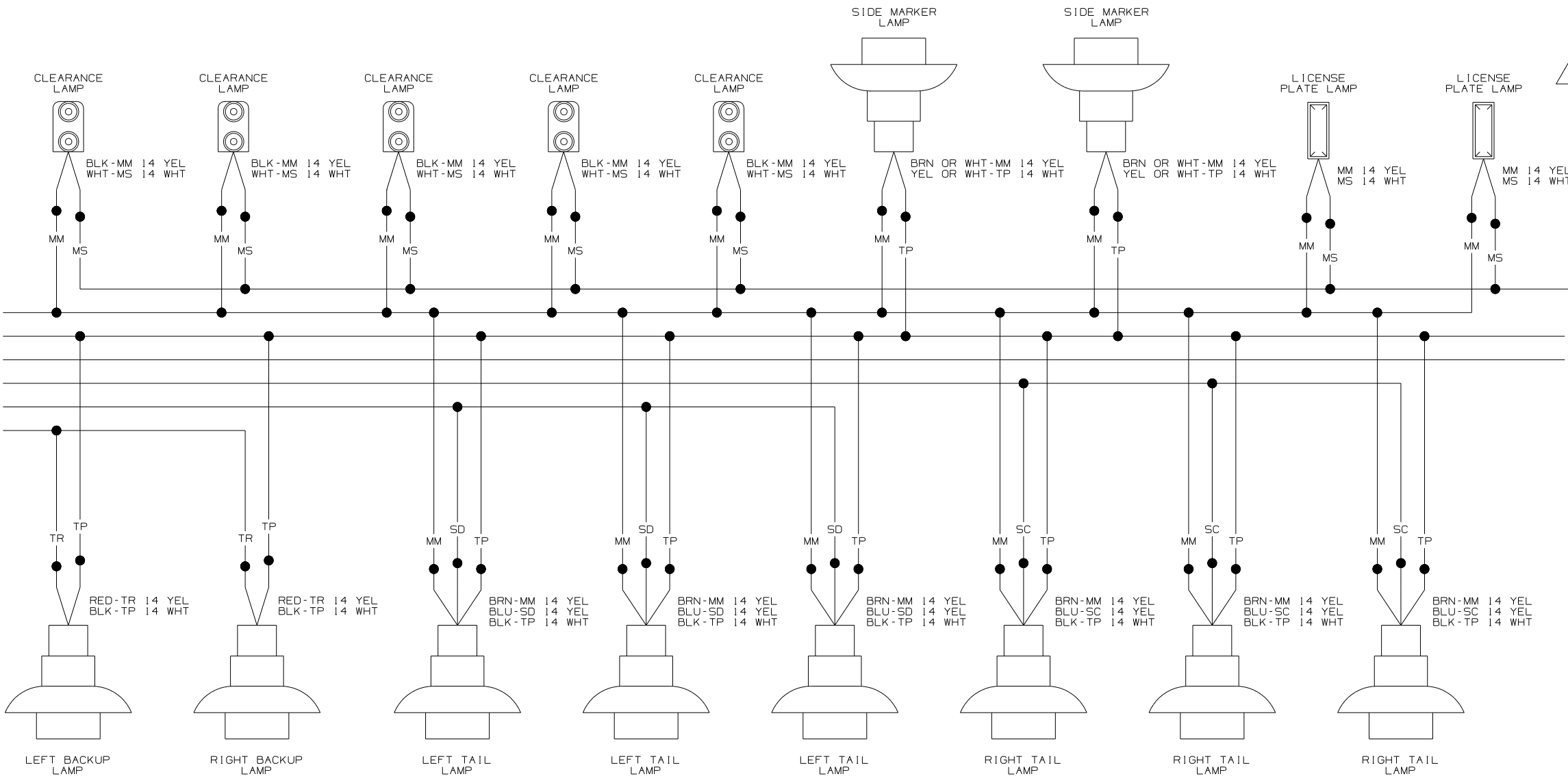
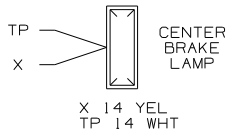
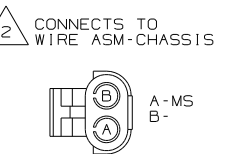
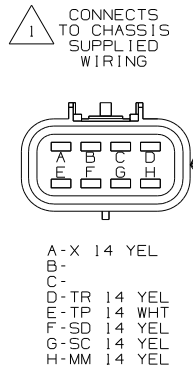
WIRING DIAGRAM-HEADLAMP, RIGHT
(WIRE ASM 146086-08 REV-H)
(ITASCA)

NOTES:

(2) SEE MANUFACTURER'S DIAGRAM FOR ADDITIONAL INFORMATION.

(1) SEE WIRING DIAGRAM AUTO FOR ADDITIONAL INFORMATION.

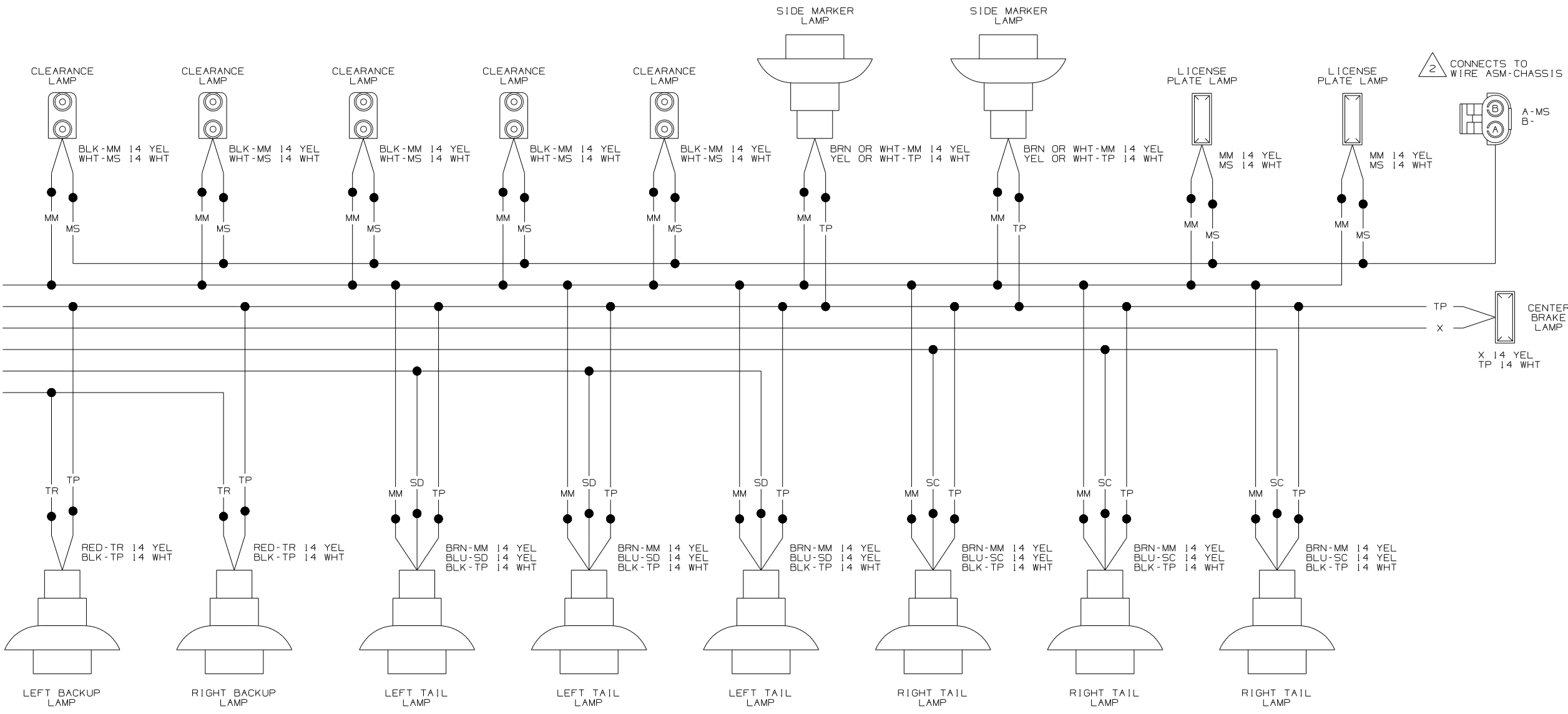
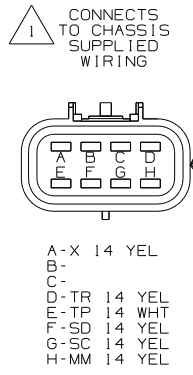
| | |
|------------|----------------------|
| FIRST USED | 05 S-SERIES |
| TITLE | DO NOT SCALE DRAWING |
| SHEET 2 | PART NO 148570 |



WIRING DIAGRAM-BACKWALL,FL
(WIRE ASM 146221-03 REV-F)
(WINNEBAGO)

- NOTES:
- 2 SEE WIRING DIAGRAM-BODY,12V FOR ADDITIONAL INFORMATION.
 - 1 SEE MANUFACTURER'S DIAGRAM FOR ADDITIONAL INFORMATION.

| | |
|----------------------|---------------------------|
| FIRST USED | 05 S-SERIES |
| DO NOT SCALE DRAWING | |
| TITLE: | WIRING DIAGRAM-AUTO LAMPS |
| SHEET 3 | PART NO 148570 |



1 CONNECTS TO CHASSIS SUPPLIED WIRING

2 CONNECTS TO WIRE ASM-CHASSIS

WIRING DIAGRAM-BACKWALL,FL
(WIRE ASM 146221-04 REV-F)
(1TASCA)

NOTES:

2 SEE WIRING DIAGRAM-BODY,12V FOR ADDITIONAL INFORMATION.

1 SEE MANUFACTURER'S DIAGRAM FOR ADDITIONAL INFORMATION.

| | |
|----------------------|---------------------------|
| FIRST USED | 05 S-SERIES |
| DO NOT SCALE DRAWING | |
| TITLE: | WIRING DIAGRAM-AUTO LAMPS |
| SHEET 4 | PART NO 148570 |