



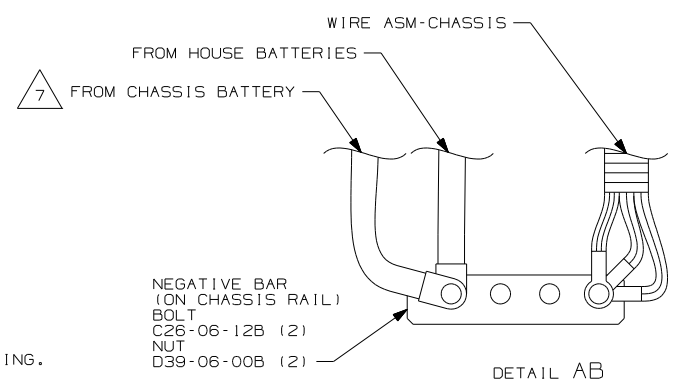
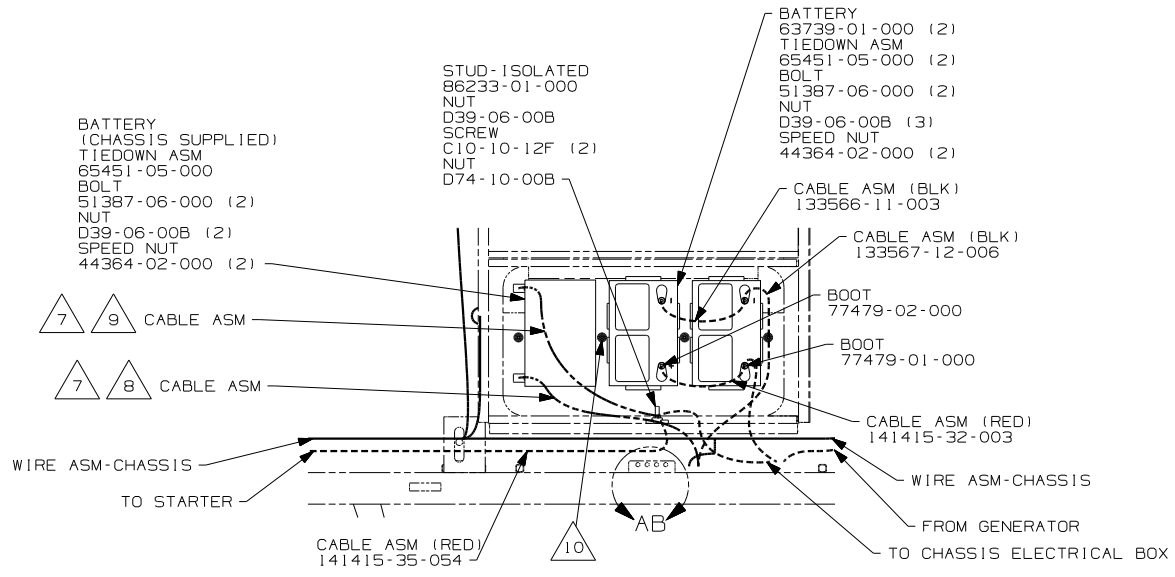
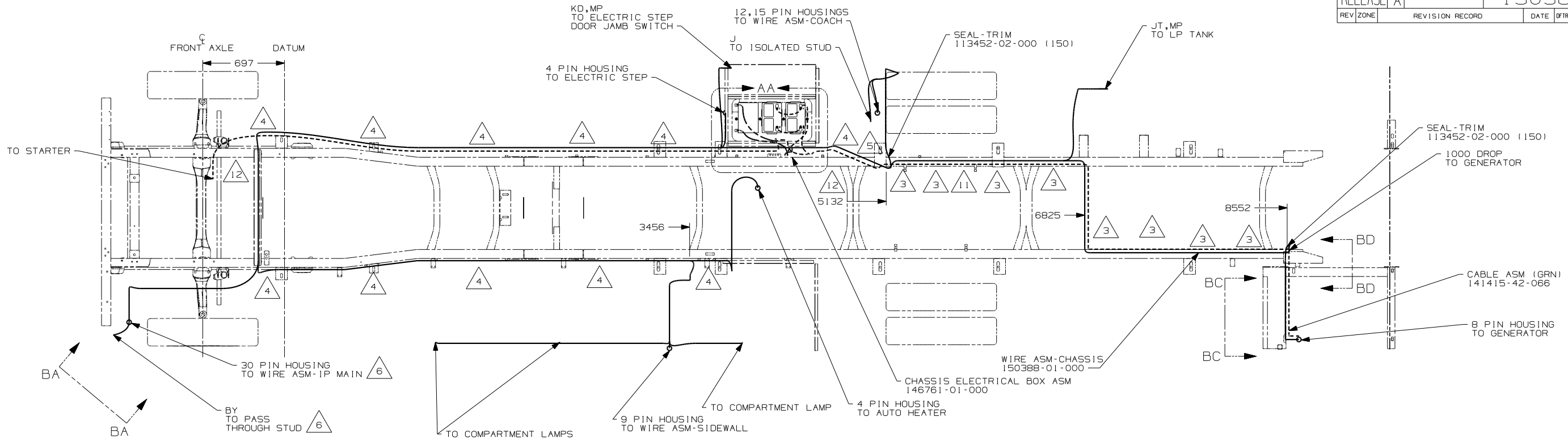
DANGER

Danger of electrical shock, burns or death. Always remove all power sources before attempting any repair, service or diagnostic work. Power can be present from shore power, generator, inverter or battery. All power sources must be disabled and secured before performing any service.



CAUTION

If you lack the skills, tools or equipment to perform diagnostic or repair work leave such work to an authorized Winnebago Industries dealer or other qualified shop.



- 13 LOCATION FOR 12V DROPS. AFTER THE DROP, THE WIRE IS ROUTED TO ANOTHER LOCATION THAT CAN DIFFER FROM THE ORIGINAL DROP LOCATION
- 12 SECURE SO WIRES DO NOT CONTACT EXHAUST.
- 11 ROUTE WIRES & CABLE OVER SPRING HANGER AT THIS POINT.
- 10 USE TWO NUTS HERE TO ACCOUNT FOR BATTERY HEIGHT DIFFERENCE.
- 9 LOCATE CHASSIS SUPPLIED RED WIRES TO ISOLATED STUD, CUT AND ADD TERMINAL 68070-01-000 TO THE CUT END.
- 8 LOCATE CHASSIS SUPPLIED GROUND WIRES TO GROUND BAR, CUT AND ADD TERMINAL 8348-01-000 TO THE CUT END.
- 7 SUPPLIED WITH CHASSIS.
- 6 SEE WIRING INSTL-FRONT END FOR ADDITIONAL INFORMATION.
- 5 ROUTE WIRES & CABLE INSIDE CHASSIS RAIL AT THIS POINT AND TO THE REAR.
- 4 CLAMP 83610-03-000, SCREW G39-08-12B.
- 3 CLAMP 83610-01-000, SCREW G39-08-12B.

2. SECURE CONDUIT 41953-09, -10, -11, -13, AND -14 OVER ALL WIRES IN CONTACT WITH SHARP EDGES.

1. LEGEND: — WINNEBAGO: - - - - - CABLE: - - - - - CHASSIS SUPPLIED WIRING.

1PV WORKHORSE 24,000#-22.5 TIRE
 265 CODES/STANDARDS-CSA/CMVSS
 1B1 CODES/STANDARDS USA

1B1 265 1PV

WINNEBAGO COPYRIGHT 2004 WINNEBAGO INDUSTRIES, INC.

DFTR	ORIG. DATE
CHKR	ALL DIMENSIONS ARE IN MILLIMETERS
P.E.	
M.E.	FIRST USED
DSNR	05 F38J

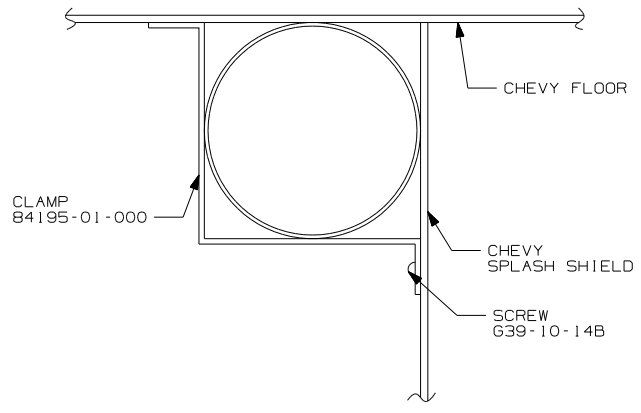
UNSPECIFIED TOLERANCES ARE: MATERIAL:

WHOLE DIM (X)	:	*
ONE-PLACE (X.X)	:	*
TWO-PLACE (X.XX)	:	*
ANGLE	:	*
THIRD ANGLE PROJECTION	⊕	*

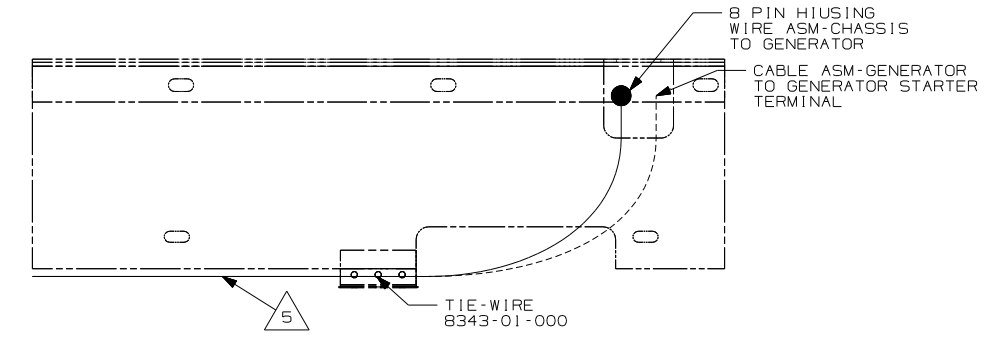
DO NOT SCALE DRAWING

TITLE: WIRING INSTL-CHASSIS

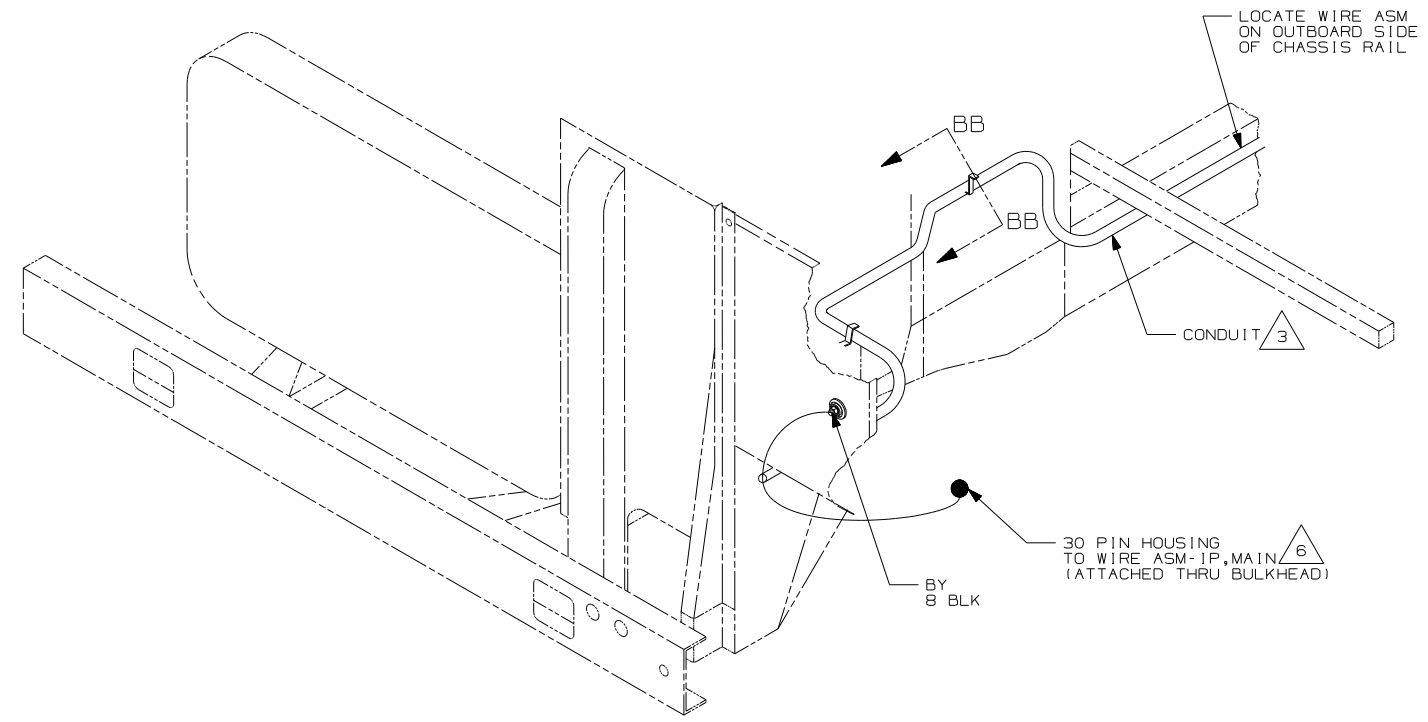
SHEET 1 of 2 PART NO 150380



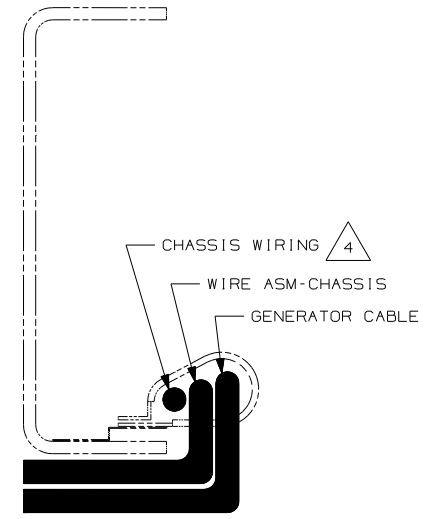
VIEW BB-BB (IPV)



VIEW BC-BC



VIEW BA-BA (IPS) (IPR)



VIEW BD-BD

- 6 SEE WIRING INSTL-FRONT END FOR ADDITIONAL INFORMATION.
- 5 SECURE SO WIRES DO NOT CONTACT EXHAUST.
- 4 SUPPLIED WITH CHASSIS.
- 3 COVER WITH CONDUIT 41953-10-000 AND 41953-11-000 AS REQUIRED.

- 2. SECURE CONDUIT 41953-09, -10, -11, -13, AND -14 OVER ALL WIRES IN CONTACT WITH SHARP EDGES.

1. LEGEND: — WINNEBAGO: - - - - - CABLE: - - - - - CHASSIS SUPPLIED WIRING.

NOTES:

- (IPV) WORKHORSE 24,000# -22.5 TIRE
- (265) CODES/STANDARDS-CSA/CMVSS
- (1B1) CODES/STANDARDS USA

(1B1) (265) (IPV)

FIRST USED	05 F38J
TITLE	DO NOT SCALE DRAWING
	WIRING INSTL-CHASSIS
SHEET 2	PART NO 150380