



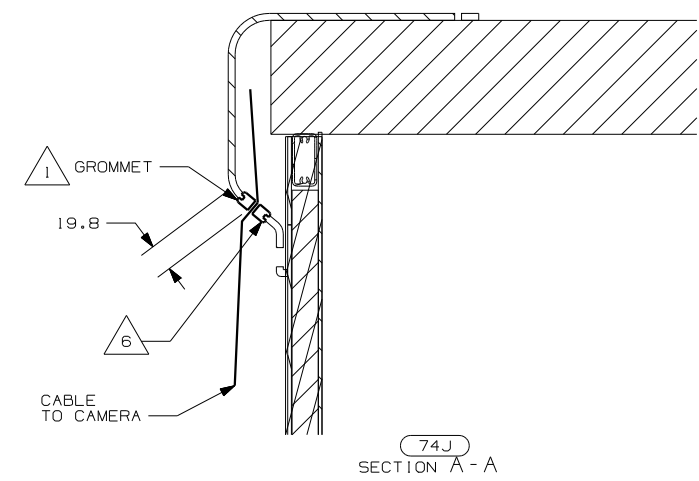
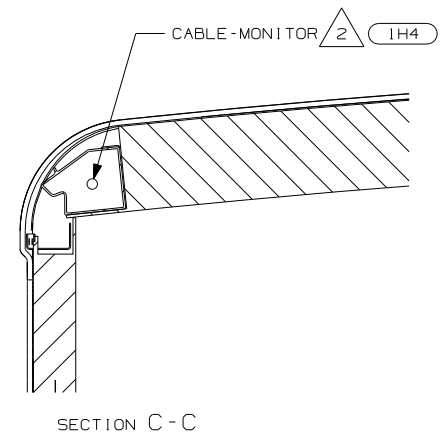
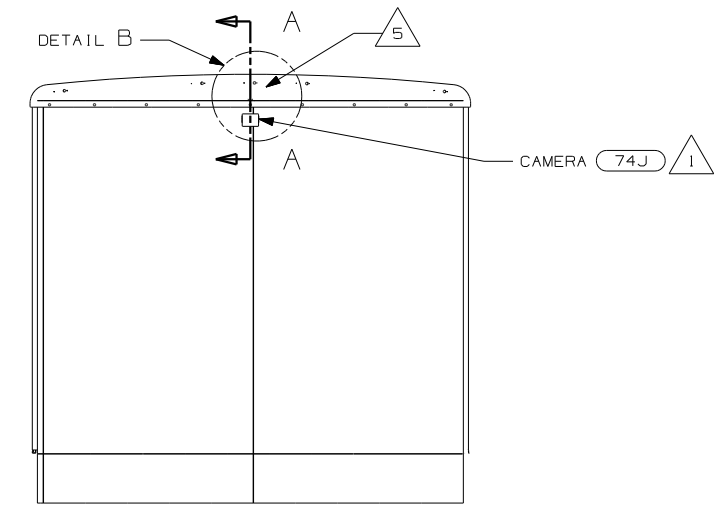
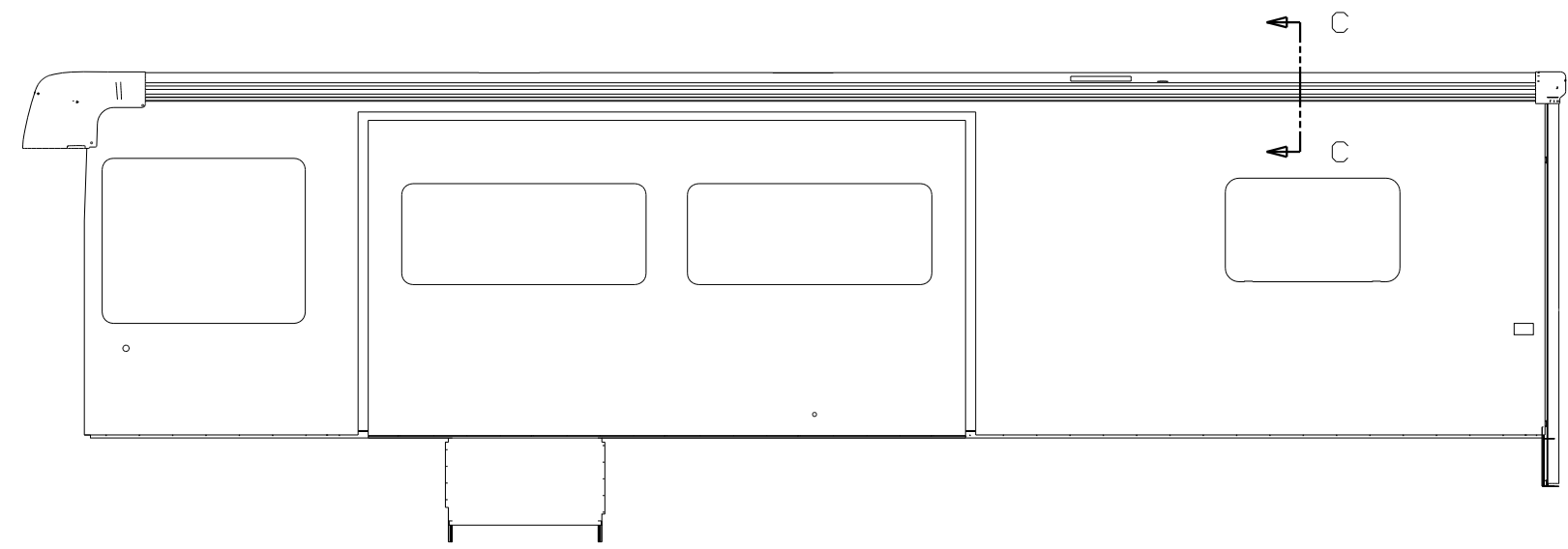
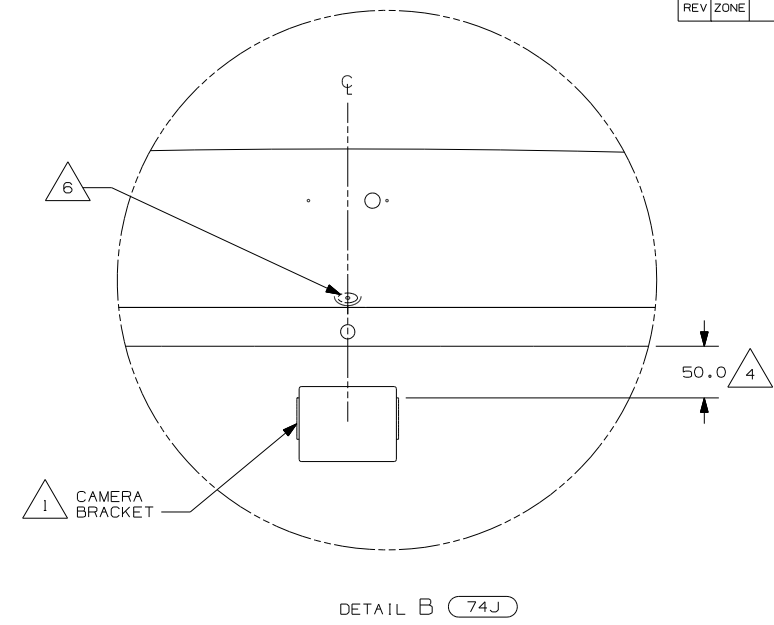
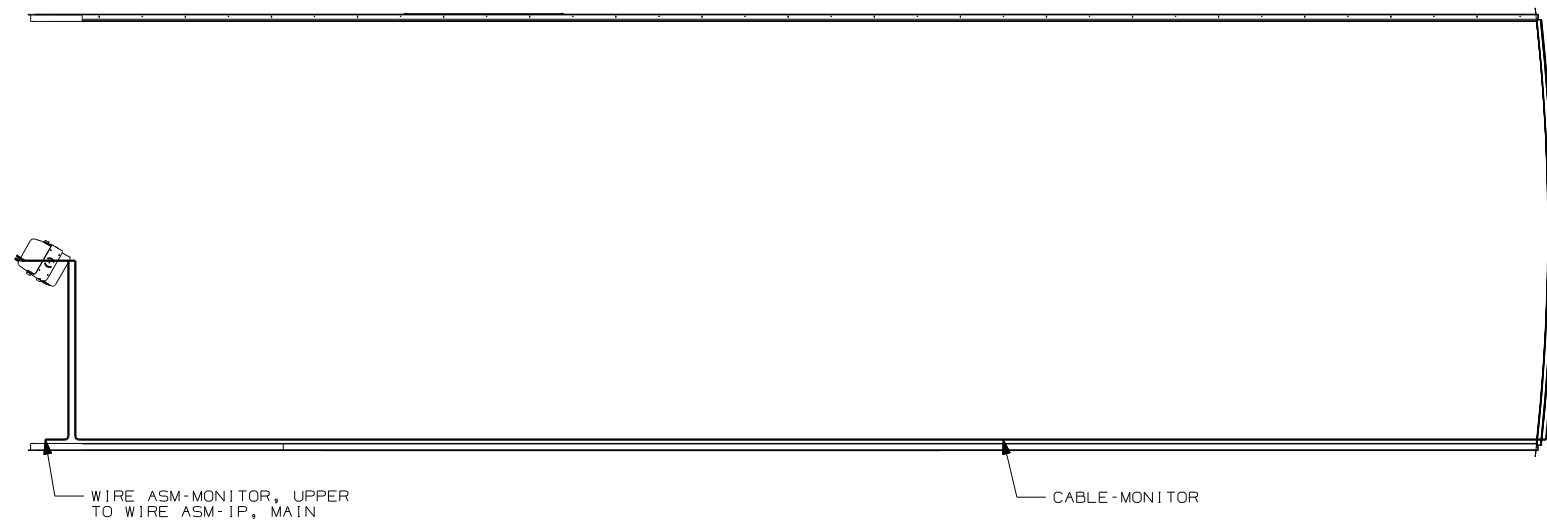
DANGER

Danger of electrical shock, burns or death. Always remove all power sources before attempting any repair, service or diagnostic work. Power can be present from shore power, generator, inverter or battery. All power sources must be disabled and secured before performing any service.



CAUTION

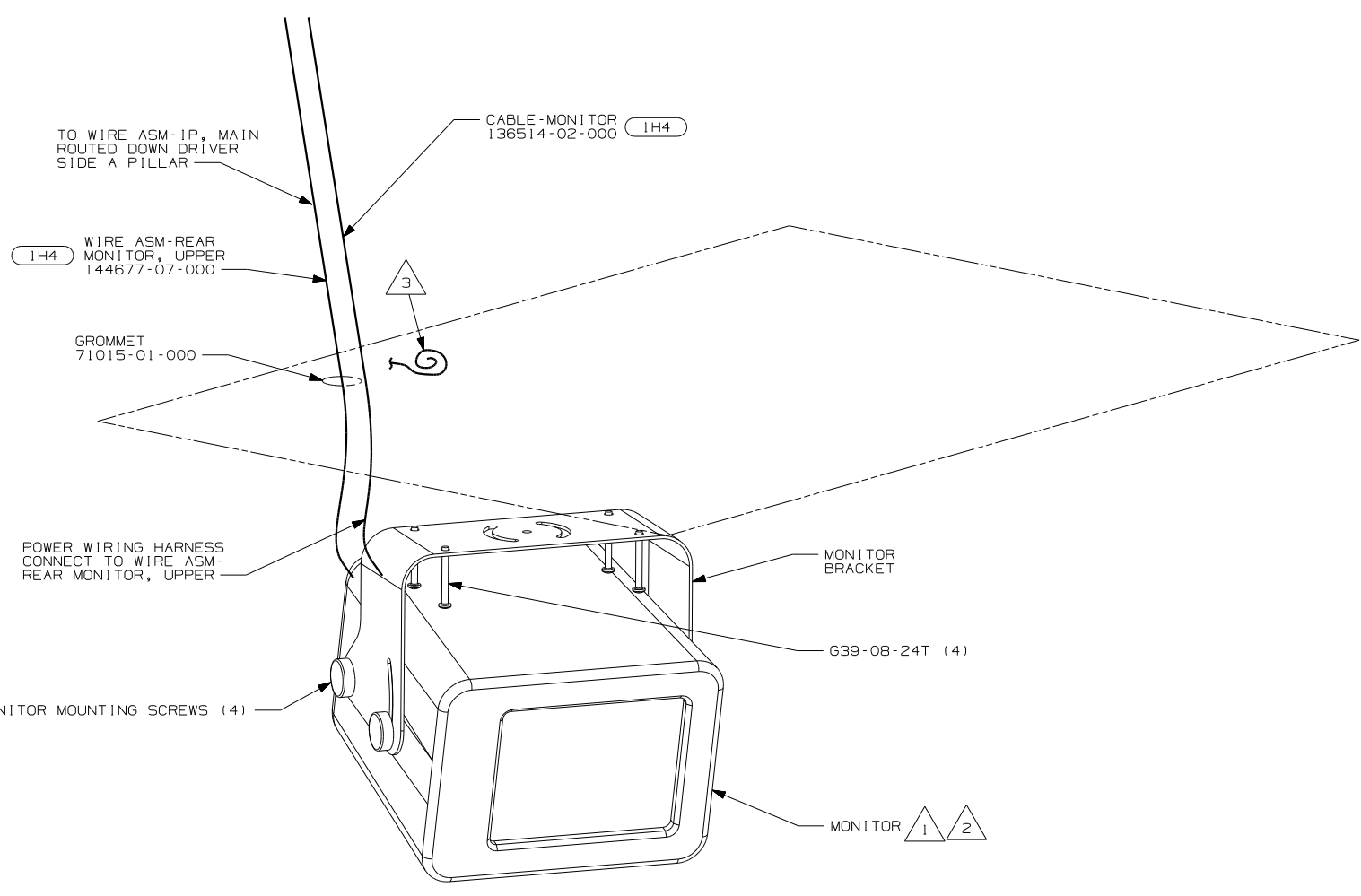
If you lack the skills, tools or equipment to perform diagnostic or repair work leave such work to an authorized Winnebago Industries dealer or other qualified shop.



- NOTES:
- 6 DRILL Ø19 MM HOLE IN FIBERGLASS BACK CAP FOR ROUTING CAMERA CABLE.
 - 5 END CABLE IN THIS AREA ON UNITS WITHOUT (74J)
 - 4 MEASURED FROM BOTTOM BACKWALL TRIM TO TOP OF CAMERA BRACKET.
 - 3 FACE OF MONITOR TO BE TOWARDS DRIVER, APPROX. 45° OFF CENTER, USE PREDRILLED HOLES IN COVER ASM TV BOTTOM FOR LOCATION.
 - 2 RUN CABLE THROUGH LEFT HAND COVE TO REAR OF UNIT.
 - 1 PARTS SUPPLIED WITH CAMERA P/N 144677-04-000.

- (74J) REARVIEW MONITOR SYSTEM
- (1H4) REARVIEW MONITOR-WIRE PREP

WINNEBAGO		COPYRIGHT 2004 WINNEBAGO INDUSTRIES, INC.	
DFT	ORIG. DATE	ALL DIMENSIONS ARE IN MILLIMETERS	
CHKR		05 D-SERIES	
P.E.		FIRST USED	
M.E.		UNSPECIFIED TOLERANCES ARE:	
DSNR		MATERIAL:	
		WHOLE DIM (X)	: ±
		ONE-PLACE (X.X)	: ±0.1
		TWO-PLACE (X.XX)	: ±0.05
		ANGLE	: ±1°
		THIRD ANGLE PROJECTION	:
DO NOT SCALE DRAWING			
TITLE: MONITOR INSTL			
SHEET 1 OF 2		PART NO 148637	
REF: 145056 04/22/2004			



TO WIRE ASM-IP, MAIN
ROUTED DOWN DRIVER
SIDE A PILLAR

CABLE-MONITOR
136514-02-000 (1H4)

WIRE ASM-REAR
MONITOR, UPPER
144677-07-000 (1H4)

GROMMET
71015-01-000

POWER WIRING HARNESS
CONNECT TO WIRE ASM-
REAR MONITOR, UPPER

MONITOR
BRACKET

G39-08-24T (4)

MONITOR MOUNTING SCREWS (4)

MONITOR (1, 2)

(74J) REARVIEW MONITOR SYSTEM
(1H4) REARVIEW MONITOR-WIRE PREP

- NOTES:
- 3 END CABLE IN THIS AREA ON UNITS WITHOUT (74J)
 - 2 FACE OF MONITOR TO BE TOWARDS DRIVER, APPROX. 45° OFF CENTER, USE PREDRILLED HOLES IN COVER ASM TV BOTTOM FOR LOCATION.
 - 1 PARTS SUPPLIED WITH TELEVISION SYST-REAR VIEW 7" P/N 144677-06-000.

FOR ELECTRICAL
TORQUE
SPECIFICATIONS
SEE DWG NO.
128783-01-000

(X-X)
FOR
ELECTRICAL
CALLOUTS
SEE DWG NO.
121339-01-000

FIRST USED	05 D-SERIES
TITLE	DO NOT SCALE DRAWING
SHEET 2	PART NO 148637
	1 04/22/2004