

FRONT
OF
COACH

(B1) CODES/STANDARDS-USA
(265) CODES/STDS-CMVSS, CSA

6 VENT PIPE MUST PROJECT 51 MIN AND 64 MAX ABOVE ROOF FOR PROPER FIT AND FUNCTION.

- 5. SEAL AROUND SHOWER WITH SILICONE.
- 4. ALL EXTERIOR OPENINGS AROUND PIPE TO BE SEALED WITH 131264-03-000.
- 3. ALL PIPE AND FITTINGS TO BE ASSEMBLED WITH SOLVENT 4020-01-000 (US), 4020-02-000 (CAN).
- 2. SLOPE OF TRAP ARM MUST BE 6 PER 305 mm.
- 1. SLOPE OF HORIZONTAL PIPING TO BE MIN 3 PER 305 mm.

NOTES:

WINNEBAGO		COPYRIGHT 2004 WINNEBAGO INDUSTRIES, INC.	
DFT	ORIG. DATE	ALL DIMENSIONS ARE IN MILLIMETERS	
CHKR		FIRST USED	
P.E.		05 726A	
M.E.		UNSPECIFIED TOLERANCES ARE:	
DSNR		MATERIAL:	
		WHOLE DIM (X)	: 3
		ONE-PLACE (X.X)	: 1.5
		TWO-PLACE (X.XX)	: 0.50
		ANGLE	: 1°
THIRD ANGLE PROJECTION		DO NOT SCALE DRAWING	
		TITLE: DRAINAGE SYSTEM INSTL	
SHEET 1 OF 3		PART NO 149196	
REF:		1 11/24/2004	

(X-X)
FOR
DRAINAGE
CALLOUTS
SEE DWG NO
116229-01-000

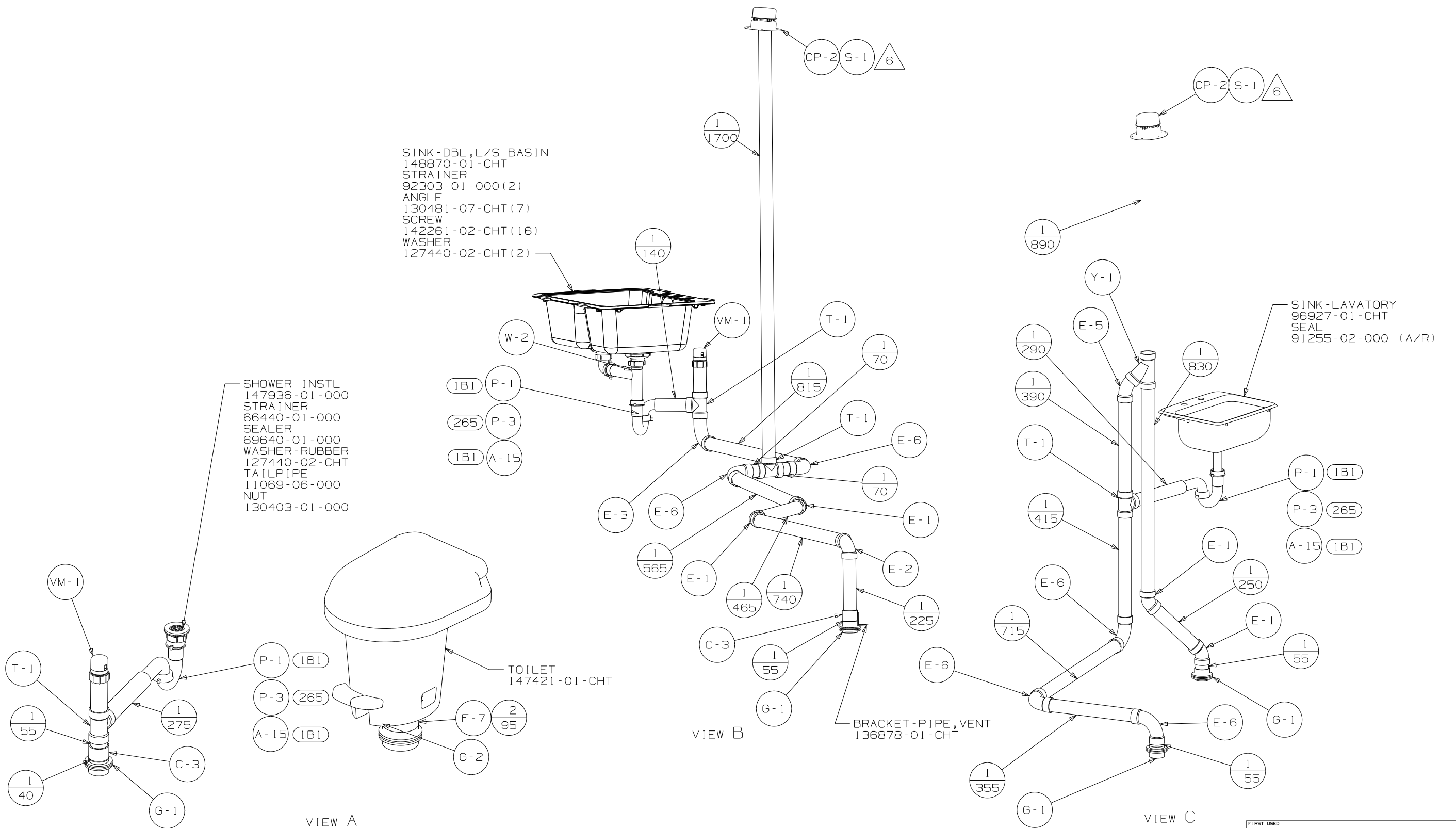
SINK-DBL,L/S BASIN
 148870-01-CHT
 STRAINER
 92303-01-000 (2)
 ANGLE
 130481-07-CHT (7)
 SCREW
 142261-02-CHT (16)
 WASHER
 127440-02-CHT (2)

SHOWER INSTL
 147936-01-000
 STRAINER
 66440-01-000
 SEALER
 69640-01-000
 WASHER-RUBBER
 127440-02-CHT
 TAILPIPE
 11069-06-000
 NUT
 130403-01-000

SINK-LAVATORY
 96927-01-CHT
 SEAL
 91255-02-000 (A/R)

TOILET
 147421-01-CHT

BRACKET-PIPE, VENT
 136878-01-CHT



VIEW A

VIEW B

VIEW C

FIRST USED	05 726A
DO NOT SCALE DRAWING	
TITLE	DRAINAGE SYSTEM INSTL
SHEET 2	PART NO 149196

FRONT AXLE

VEHICLE

1165

1443

DATUM (CORNER OF FLOOR)

VIEW D

TANK - HOLDING
149286 - 02 - 000

TANK - HOLDING
149287 - 02 - 000

BRACKET - TIE DOWN, WATER TANK
112628 - 08 - CHT
SCREW
G39 - 08 - 08U (2)

4160

207

4991

BRACKET - TIE DOWN
112628 - 07 - CHT
SCREW
G39 - 08 - 08U (2)

FOAM - SUPPORT, HOLDING TANK
130223 - 17 - 000

INSULATION - DRAINAGE COMPT
120050 - 57 - 000 (2)

FOAM - SUPPORT, HOLDING TANK
130223 - 18 - 000

FOAM - SUPPORT, HOLDING TANK
130223 - 19 - 000

INSULATION - DRAINAGE COMPT
120050 - 60 - 000

FOAM - SUPPORT, HOLDING TANK
130223 - 16 - 000

INSULATION - DRAINAGE COMPT
120050 - 61 - 000

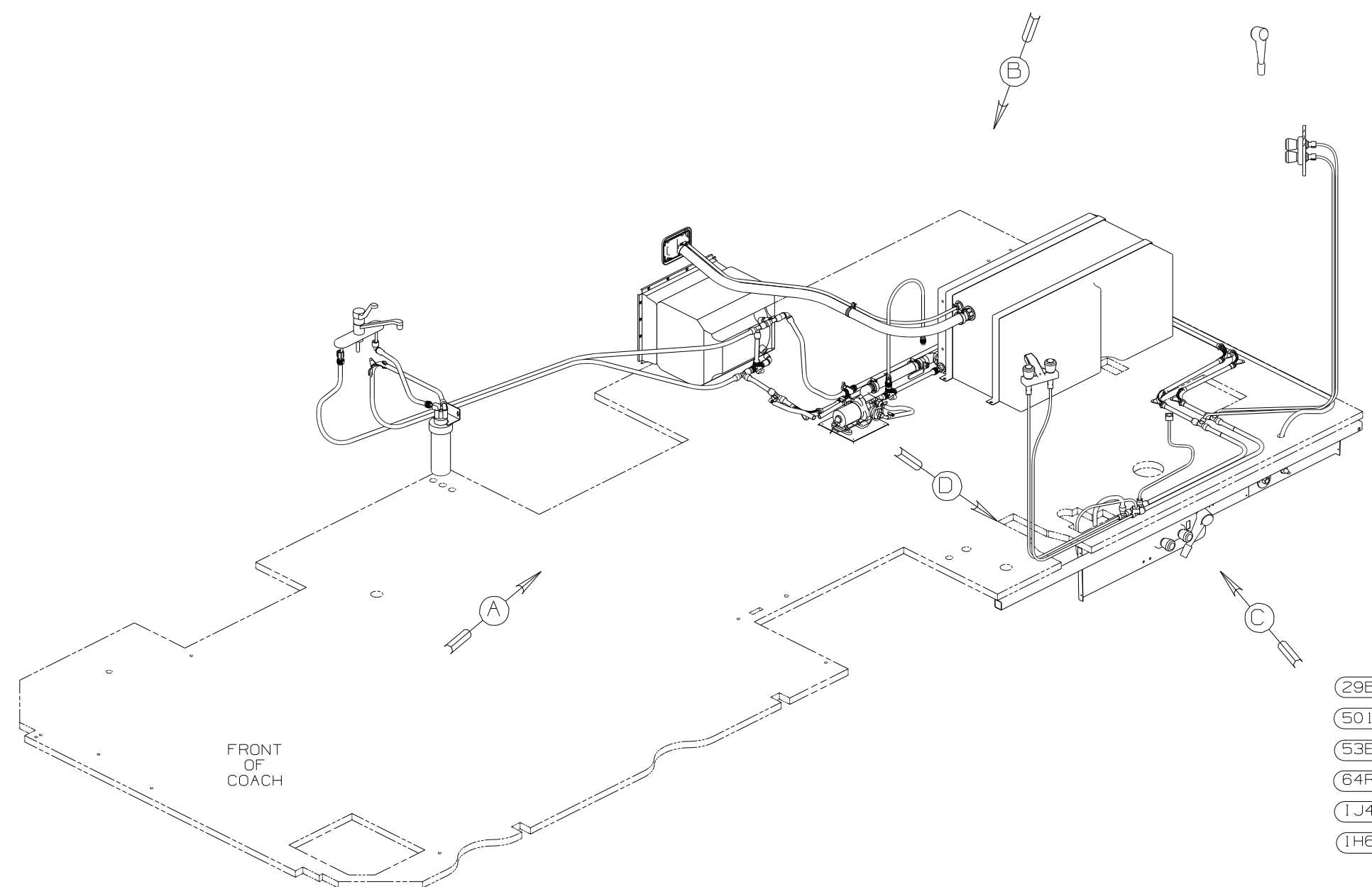
N-3
C-2
2/60
V-11
H-1
V-11
2/60
C-2
N-3

VIEW E

FIRST USED	05 726A
TITLE	DO NOT SCALE DRAWING
SHEET 3	PART NO 149196

DWG NO	----
149195-01	RH SHOWN
149195-02	LH OPPOSITE

RELEASE	REV DATE	DWG NO
A		149195
REV ZONE	REVISION RECORD	DATE
		DFT-ORIG

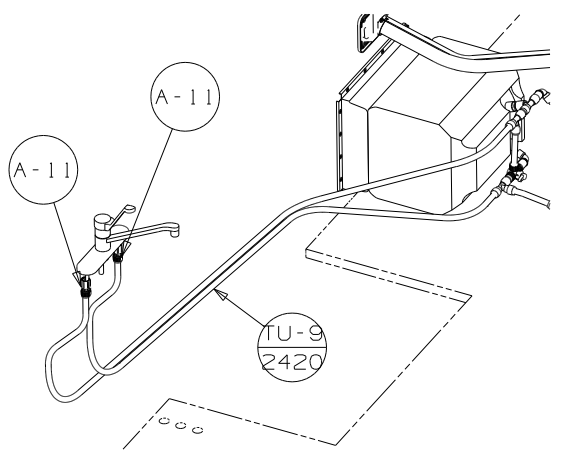
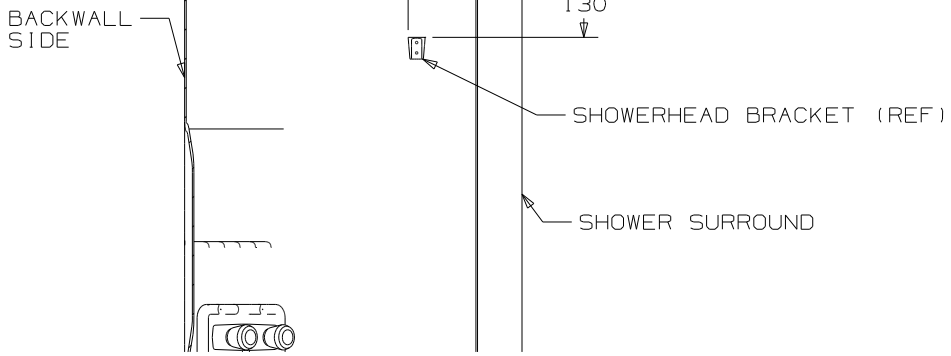
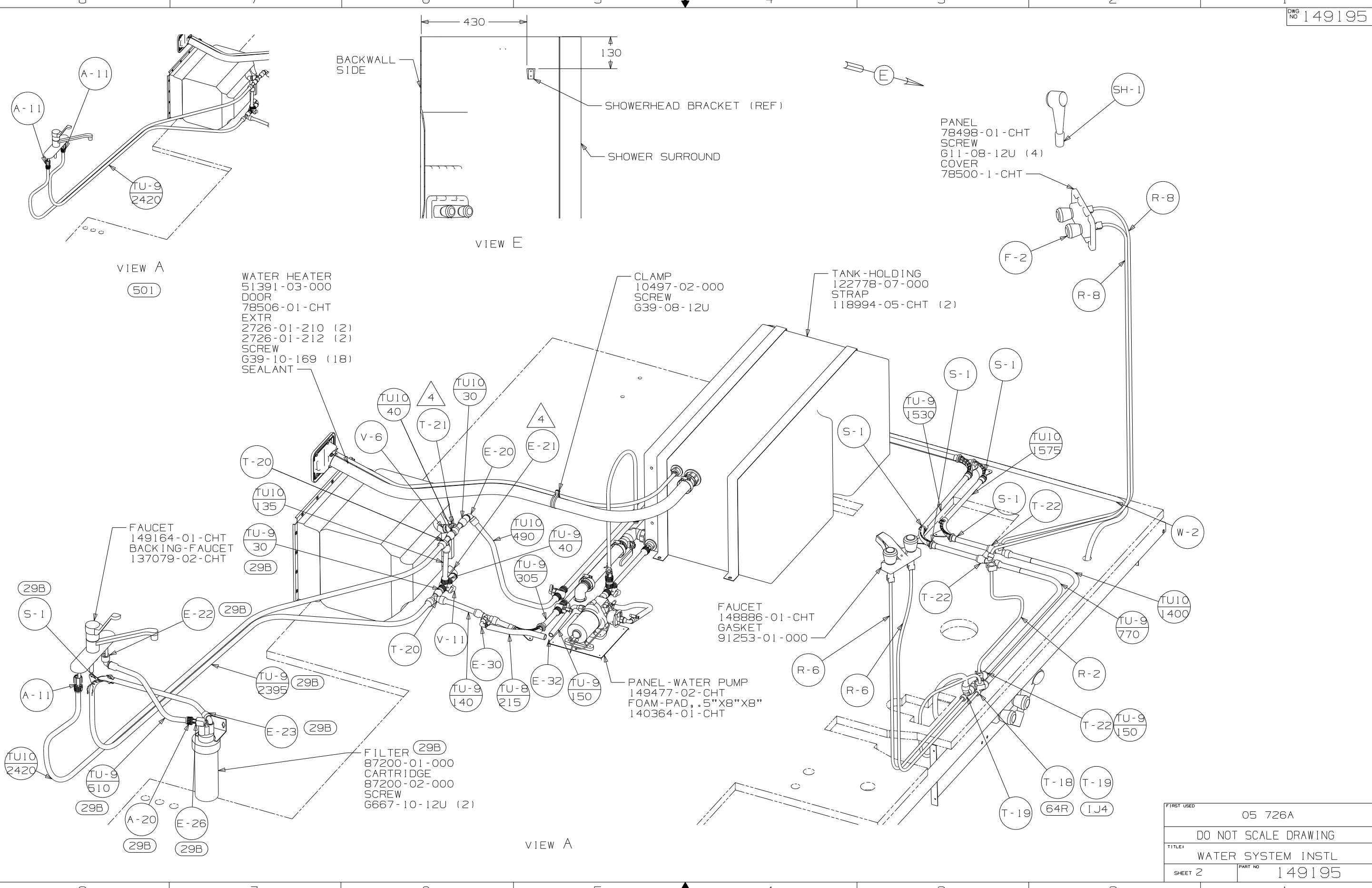


- (29B) WATER PURIFIER
- (50I) WATER PURIFIER W/O
- (53E) WATER SYS WINTERIZATION PKG
- (64R) EXTERIOR WASH STATION
- (1J4) EXTERIOR SHWR-W/O
- (1H6) AIR SPRING-WITHOUT

- NOTES:
6. ADD TEFLON TAPE 10405-03-000.
 5. ADD TEFLON TAPE 10405-02-000.
 4. ADD TEFLON TAPE 10405-01-000.
 3. ALL TUBING TO BE SECURED AT 1200 INTERVALS MAXIMUM WITH CLAMP 10495-01-000 OR CLIP 9151-01-000 AND SCREW G67-10-12B.
 2. TUBING TO BE INSTALLED WITH SUFFICIENT SLOPE TO PROVIDE DRAINAGE TO NEAREST VALVE.
 1. PLASTIC FITTINGS TO BE SEALED WITH SEALANT 84456-01-000.

(X-X)
FOR
WATER
CALLOUTS
SEE DWG NO
116230-01-000

WINNEBAGO		COPYRIGHT 2005 WINNEBAGO INDUSTRIES, INC.	
DFT-ORIG	ORIG. DATE	ALL DIMENSIONS ARE IN MILLIMETERS	
CHKR		FIRST USED	
P.E.		05 726A	
M.E.		UNSPECIFIED TOLERANCES ARE:	
DSNR		MATERIAL:	
		WHOLE DIM (X)	: 3
		ONE-PLACE (X.X)	: 1.5
		TWO-PLACE (X.XX)	: 0.50
		ANGLE	: 1°
THIRD ANGLE PROJECTION		DO NOT SCALE DRAWING	
TITLE: WATER SYSTEM INSTL			
SHEET 1 OF 3		PART NO 149195	



VIEW A
501

- WATER HEATER
51391-03-000
- DOOR
78506-01-CHT
- EXTR
2726-01-210 (2)
- 2726-01-212 (2)
- SCREW
639-10-169 (18)
- SEALANT

- CLAMP
10497-02-000
- SCREW
G39-08-12U

- TANK-HOLDING
122778-07-000
- STRAP
118994-05-CHT (2)

- PANEL
78498-01-CHT
- SCREW
G11-08-12U (4)
- COVER
78500-1-CHT

- FAUCET
149164-01-CHT
- BACKING-FAUCET
137079-02-CHT

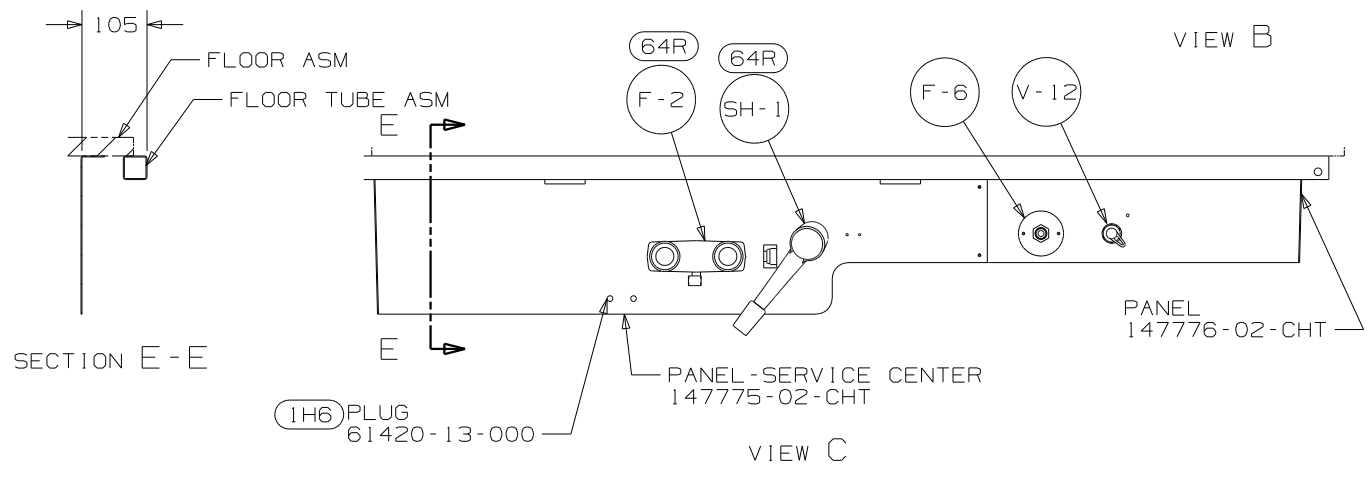
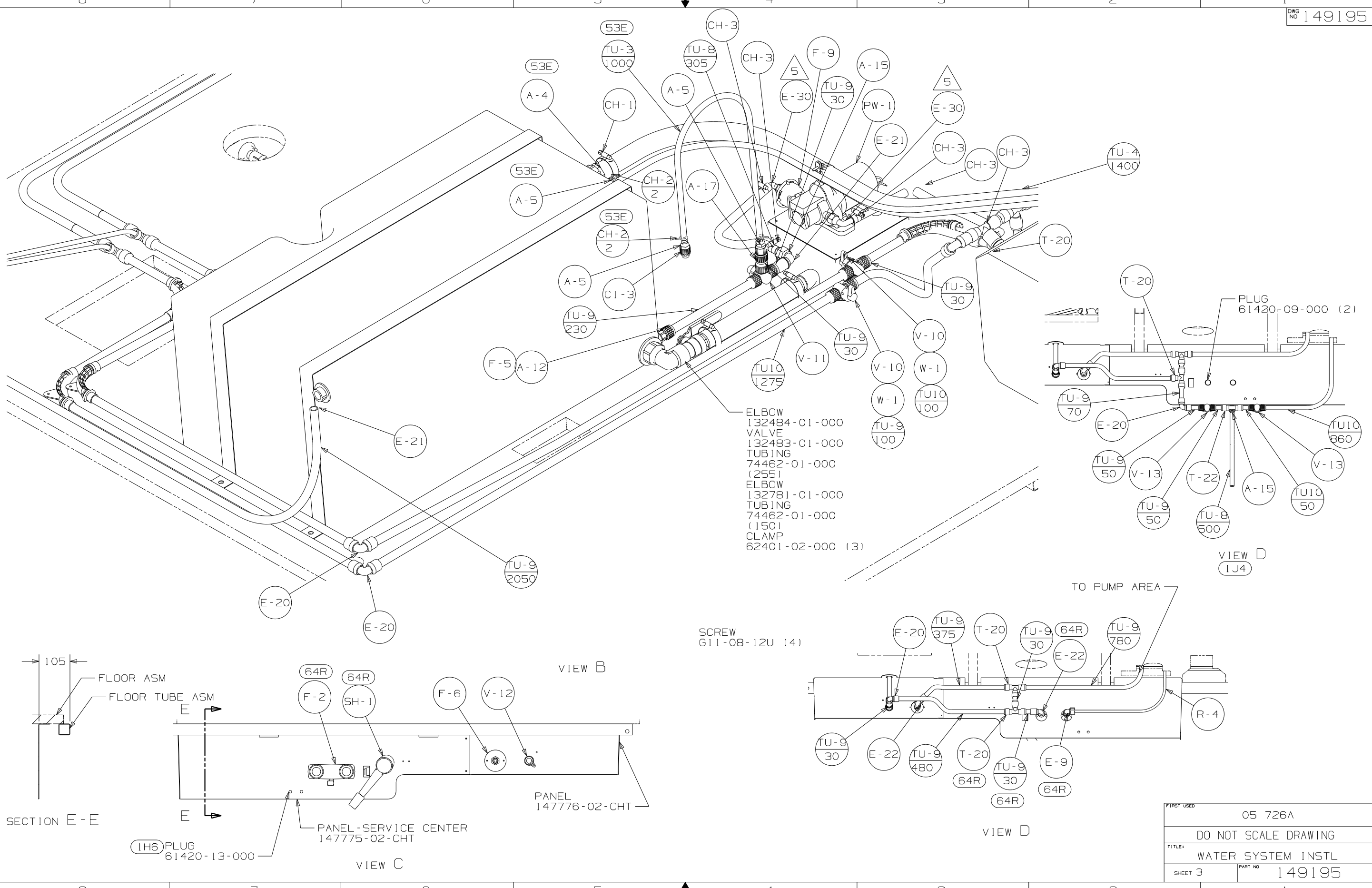
- FAUCET
148886-01-CHT
- GASKET
91253-01-000

- PANEL-WATER PUMP
149477-02-CHT
- FOAM-PAD, .5"X8"X8"
140364-01-CHT

- FILTER
87200-01-000
- CARTRIDGE
87200-02-000
- SCREW
G667-10-12U (2)

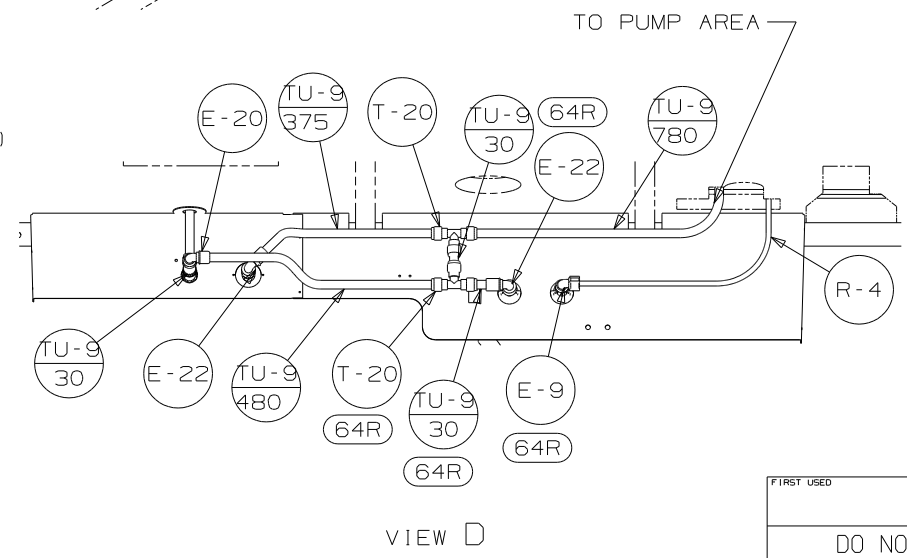
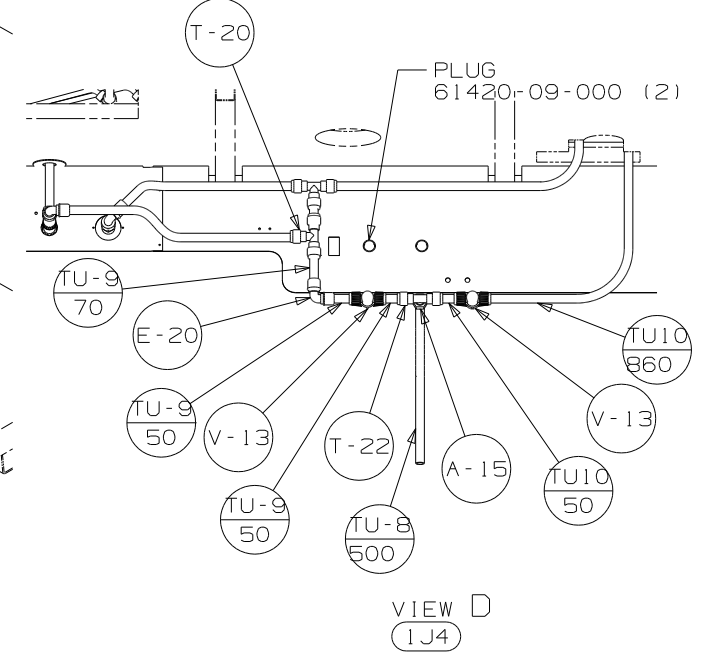
VIEW A

FIRST USED	05 726A
TITLE	DO NOT SCALE DRAWING
TITLE	WATER SYSTEM INSTL
SHEET 2	PART NO 149195



- ELBOW 132484-01-000
- VALVE 132483-01-000
- TUBING 74462-01-000 (255)
- ELBOW 132781-01-000
- TUBING 74462-01-000 (150)
- CLAMP 62401-02-000 (3)

- SCREW 611-08-12U (4)



FIRST USED	05 726A
TITLE	DO NOT SCALE DRAWING
TITLE	WATER SYSTEM INSTL
SHEET 3	PART NO 149195