



DANGER

Danger of electrical shock, burns or death. Always remove all power sources before attempting any repair, service or diagnostic work. Power can be present from shore power, generator, inverter or battery. All power sources must be disabled and secured before performing any service.

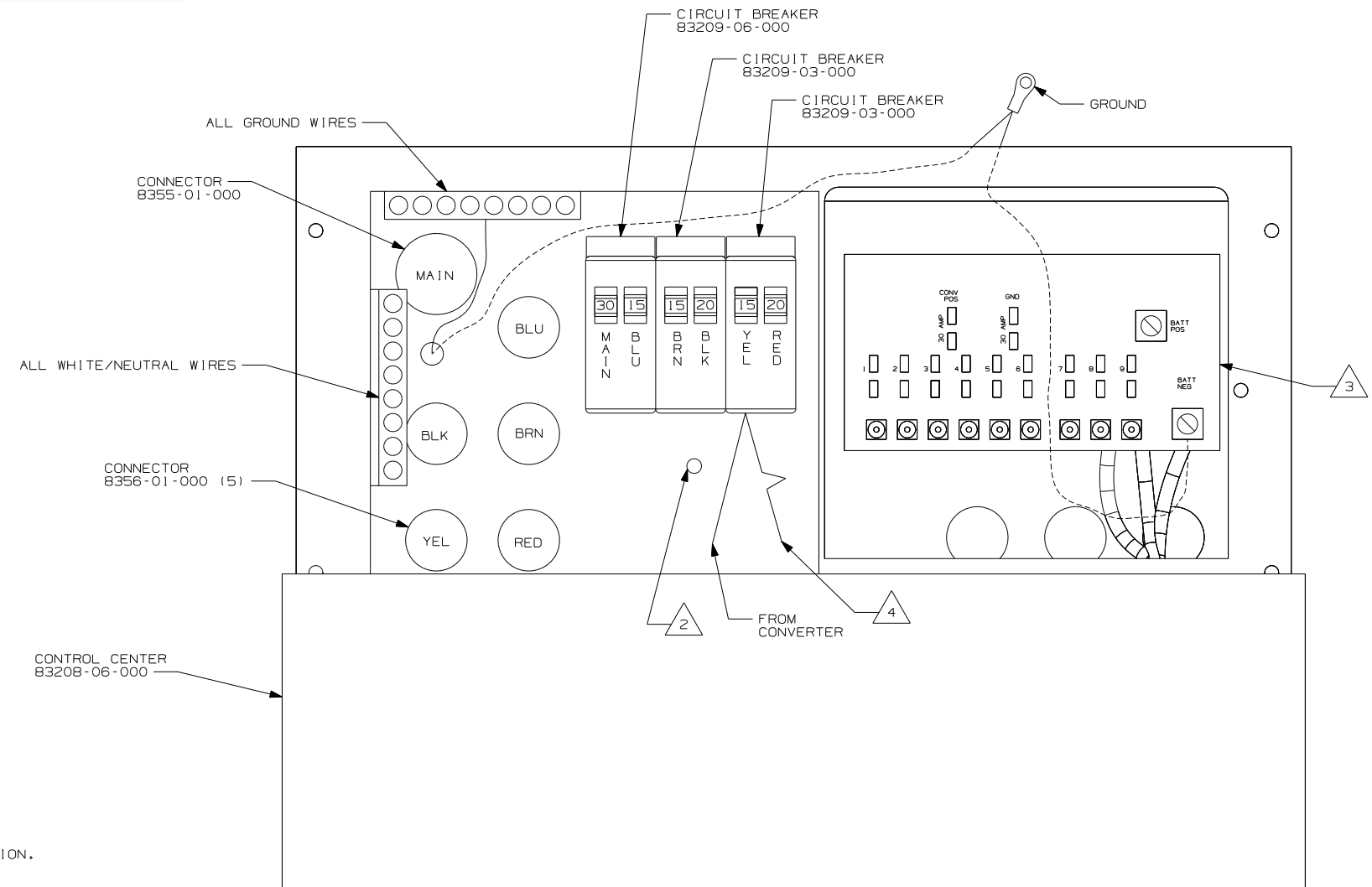
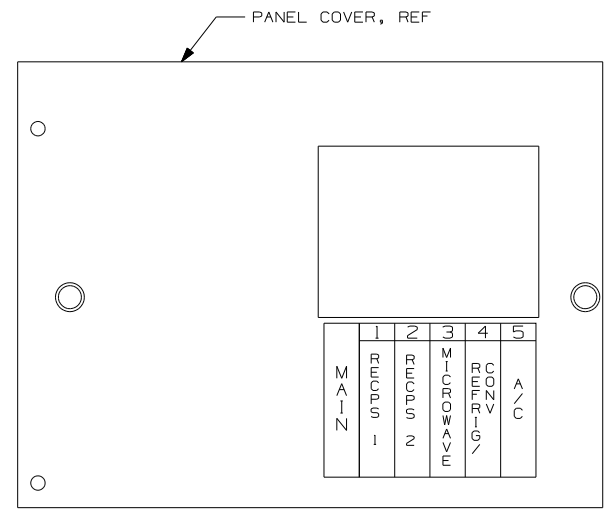


CAUTION

If you lack the skills, tools or equipment to perform diagnostic or repair work leave such work to an authorized Winnebago Industries dealer or other qualified shop.

		8	7	6	5	4	3	2
		427P	430V	431C				
WIRE ASM-110V US		150747-01-000	146541-01-000	150132-01-000				
WIRE ASM-110V CA		150747-02-000	146541-02-000	150132-02-000				
GROUND		136145-02-026	136145-02-022	136145-02-030				
GENERATOR CABLE ASM	UL	N/A	8022-01-000 4200	N/A				
	CA	N/A	24743-01-000 4200	N/A				
THROW IN #1	14-UL	N/A	N/A	136131-03-008	5			
	14-CA	N/A	N/A	136134-03-008	5			
THROW IN #2	14-UL	N/A	N/A	136131-03-060	49M			
	14-CA	N/A	N/A	136134-03-060	49M			
THROW IN #3	12-UL	N/A	N/A	136135-09-035	53D			
	12-CA	N/A	N/A	136136-09-035	53D			
THROW IN #4	14-UL	N/A	N/A	136131-19-040	40B			
	14-CA	N/A	N/A	136134-19-040	40B			

RELEASE	REV DATE	OWG NO	149419
REV ZONE	REVISION RECORD	DATE	DFTR-0R16



- 40B INVERTER-DC/AC, 300 WATT
- 49M SLEEP NUMBER BED-QUEEN SIZE
- 12D ELECTRICAL SYSTEM 30 AMP
- 265 CODES/STANDARDS-CSA/CMVSS
- 1B1 CODES/STANDARDS USA

1B1 265 12D

WINNEBAGO COPYRIGHT 2004 WINNEBAGO INDUSTRIES, INC.

DFTR	ORIG. DATE
CHKR	ALL DIMENSIONS ARE IN MILLIMETERS
P.E.	FIRST USED
M.E.	05 400-SER
DSNR	

UNSPECIFIED TOLERANCES ARE: MATERIAL:

WHOLE DIM (X) :
ONE-PLACE (X.X) :
TWO-PLACE (X.XX) :
ANGLE :

THIRD ANGLE PROJECTION

DO NOT SCALE DRAWING

TITLE: LOAD CENTER/ATS ASM

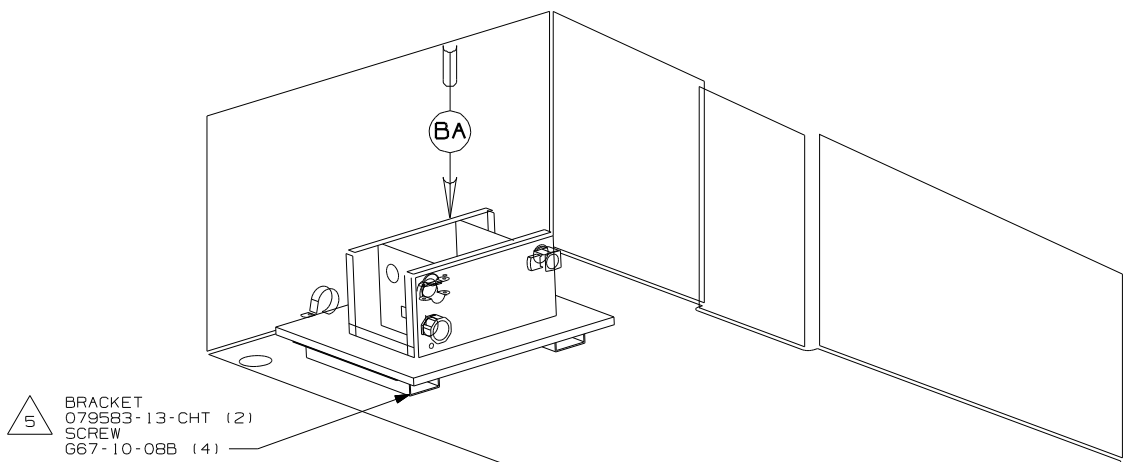
SHEET 1 OF 2 PART NO 149419

REF: 146318 1 07/15/2004

- 5 FOR CONNECTOR INSTALLATION SEE DETAIL BC.
- 4 MAKE CONNECTION TO PROVIDED CONVERTER LEAD USING SUPPLIED WIRE NUT CONNECTOR
- 3 SEE WIRING INSTL-BODY, 12V FOR ADDITIONAL INFORMATION.
- 2 SECURE WIRES TO BACKSIDE OF LOAD CENTER WITH WIRE TIE 116673-01-000.

1. ALL GROUNDS WIRES TO BE COVERED WITH TUBING 8041-02-000.

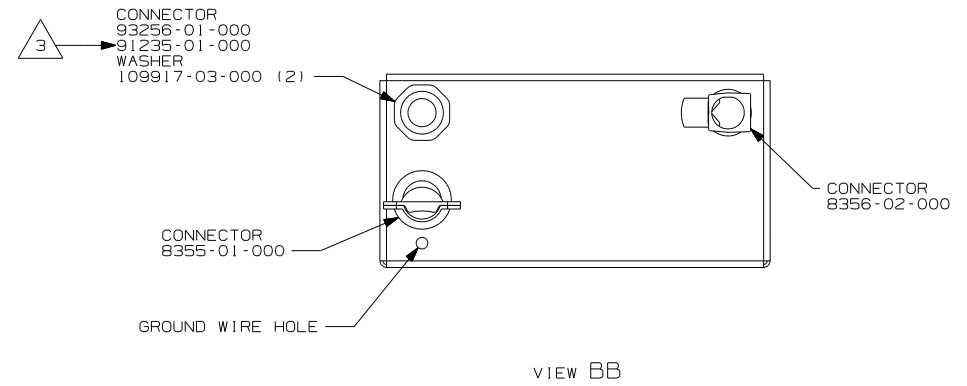
NOTES:



5 BRACKET
079583-13-CHT (2)
SCREW
667-10-08B (4)

4 30 AMP 110V (US/CAN)

DRAINAGE COMPARTMENT



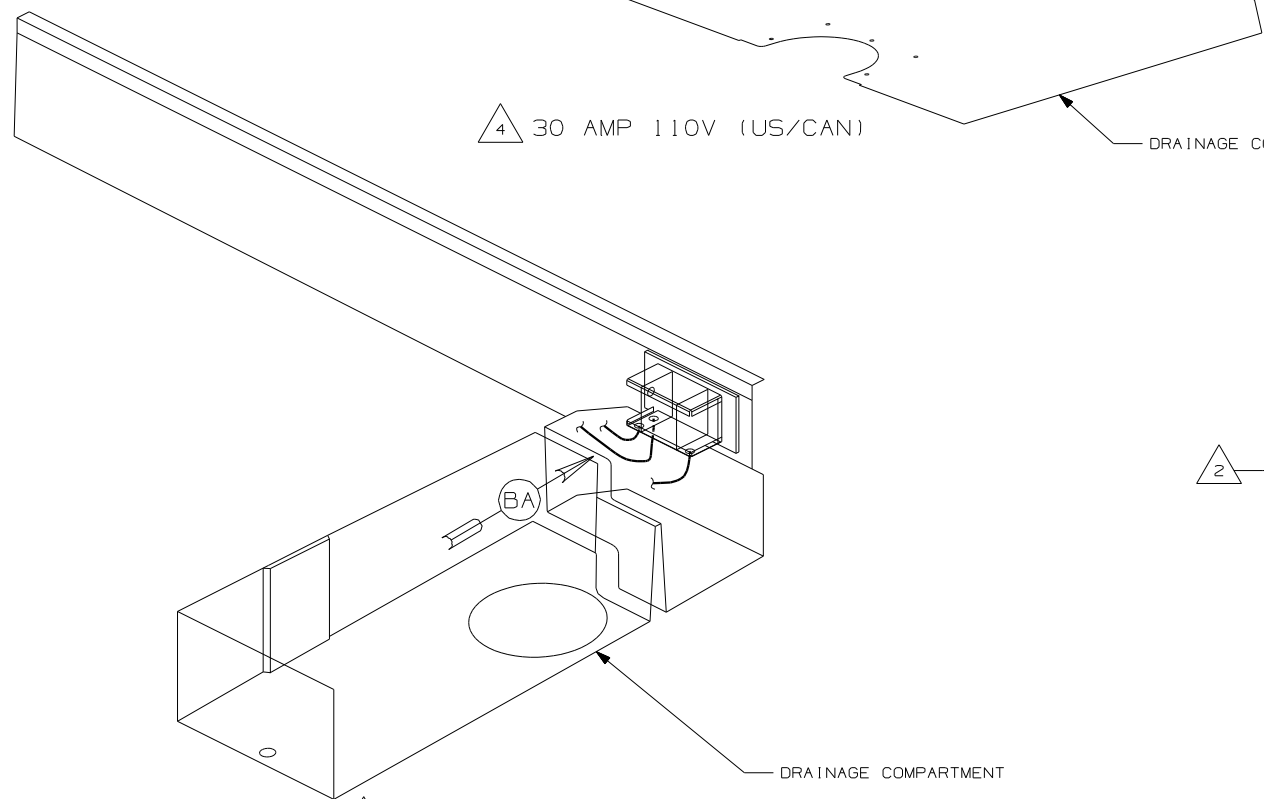
3 CONNECTOR
93256-01-000
91235-01-000
WASHER
109917-03-000 (2)

CONNECTOR
8355-01-000

CONNECTOR
8356-02-000

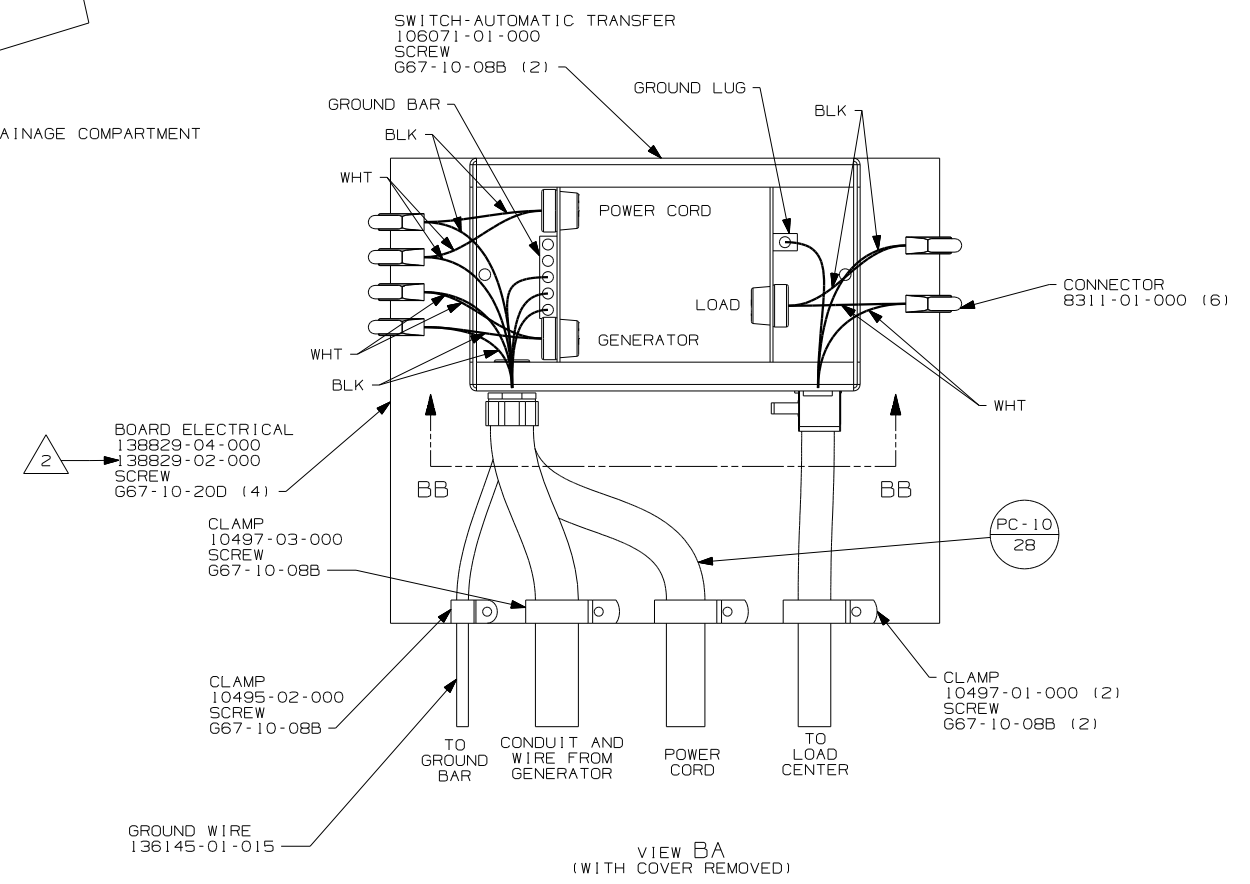
GROUND WIRE HOLE

VIEW BB



6 30 AMP 110V (US/CAN)

DRAINAGE COMPARTMENT



2 BOARD ELECTRICAL
138829-04-000
138829-02-000
SCREW
667-10-20D (4)

CLAMP
10497-03-000
SCREW
667-10-08B

CLAMP
10495-02-000
SCREW
667-10-08B

GROUND WIRE
136145-01-015

SWITCH-AUTOMATIC TRANSFER
106071-01-000
SCREW
667-10-08B (2)

GROUND LUG

BLK

WHT

BLK

WHT

BLK

WHT

BLK

WHT

BB

BB

TO GROUND BAR

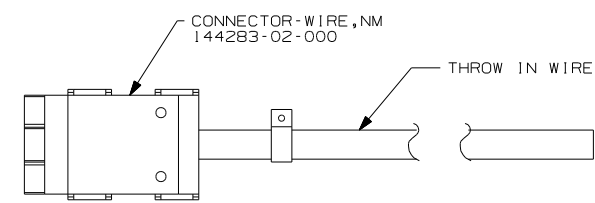
CONDUIT AND WIRE FROM GENERATOR

POWER CORD

TO LOAD CENTER

CLAMP
10497-01-000 (2)
SCREW
667-10-08B (2)

VIEW BA
(WITH COVER REMOVED)



CONNECTOR-WIRE, NM
144283-02-000

THROW IN WIRE

DETAIL BC

- NOTES:
- 6 USED WITH 430V & 431C.
 - 5 MOUNT BRACKET WITH EDGE OF FLANGE FLUSH WITH EDGE OF PLYWOOD, CENTERED ON PLYWOOD AS SHOWN.
 - 4 USED ONLY WITH 427P.
 - 3 USED ONLY WITH 430V.
 - 2 USED ONLY WITH 431C.
 - 1 ALL WIRES TO BE CLAMPED WITHIN 200 OF BOX.

- 12D ELECTRICAL SYSTEM - 30 AMP
- 265 CODES/STANDARDS-CSA/CMVSS
- 1B1 CODES/STANDARDS USA

1B1 265 12D

FIRST USED	05 400-SER
TITLE	DO NOT SCALE DRAWING
TITLE	LOAD CENTER/ATS ASM
SHEET 2	PART NO 149419

FOR ELECTRICAL TORQUE SPECIFICATIONS SEE DWG NO. 128783-01-000

X-X FOR ELECTRICAL CALLOUTS SEE DWG NO. 121339-01-000