



**DANGER**

**Danger of electrical shock, burns or death.** Always remove all power sources before attempting any repair, service or diagnostic work. Power can be present from shore power, generator, inverter or battery. All power sources must be disabled and secured before performing any service.

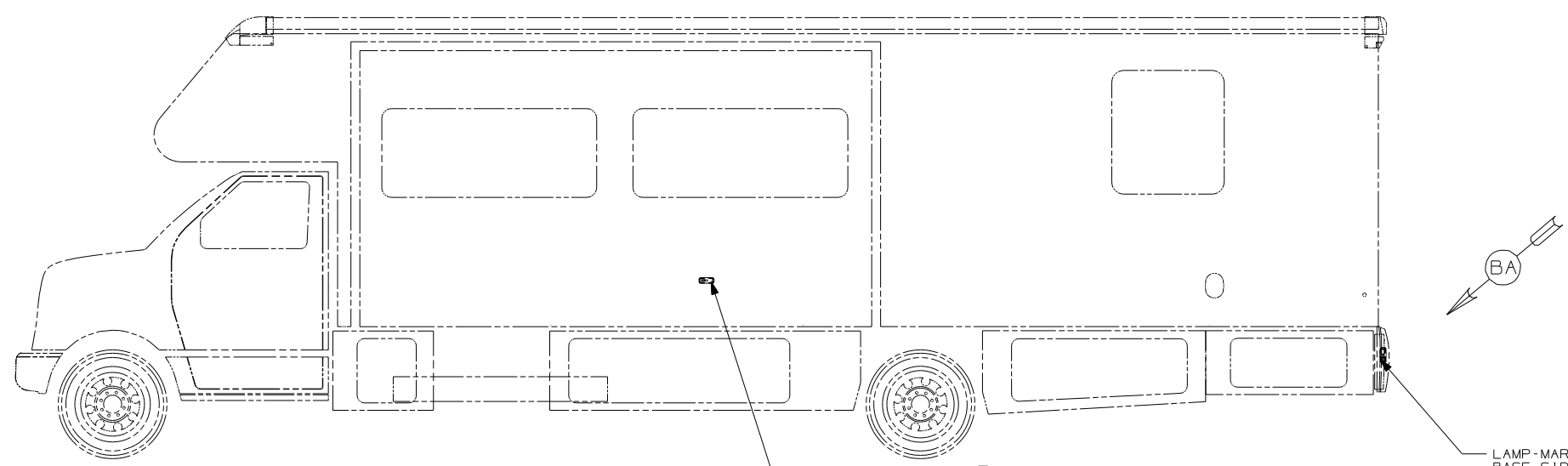


**CAUTION**

If you lack the skills, tools or equipment to perform diagnostic or repair work leave such work to an authorized Winnebago Industries dealer or other qualified shop.

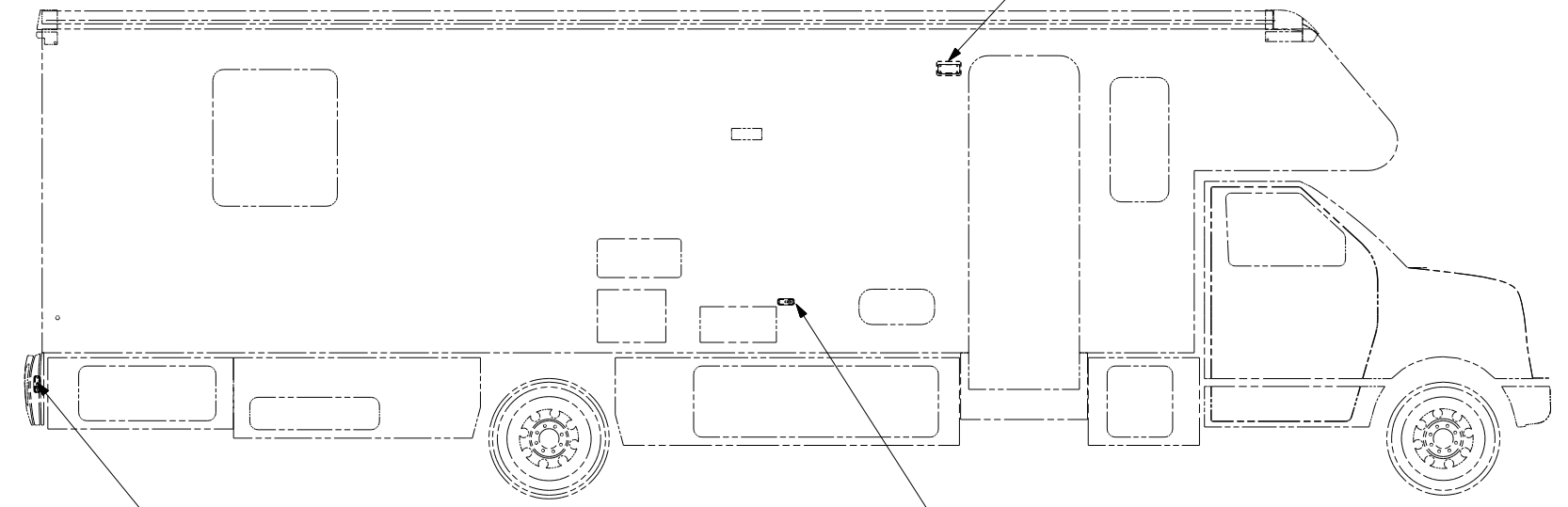
DRAWING NO.	FEATURE
148558-01	(WIN)
148558-02	(ITA)

RELEASE	REV DATE	DWG NO
A		148558
REV ZONE	REVISION RECORD	DATE DFR-ORIG



LAMP-MARKER  
 BASE, SIDEWALL  
 111102-01-000  
 LENS-MARKER, AMBER  
 111102-02-000  
 SCREW  
 G11-08-12T (EXT) (2)  
 CONNECTOR  
 58028-01-000 (2)

LAMP-MARKER  
 BASE, SIDEWALL  
 111102-01-000  
 LENS-MARKER, RED  
 111102-03-000  
 SCREW  
 G11-08-12T (EXT) (2)  
 CONNECTOR  
 58028-01-000 (2)



LAMP-MARKER  
 BASE, SIDEWALL  
 111102-01-000  
 LENS-MARKER, RED  
 111102-03-000  
 SCREW  
 G11-08-12T (EXT) (2)  
 CONNECTOR  
 58028-01-000 (2)

LAMP-MARKER  
 BASE, SIDEWALL  
 111102-01-000  
 LENS-MARKER, AMBER  
 111102-02-000  
 SCREW  
 G11-08-12T (EXT) (2)  
 CONNECTOR  
 58028-01-000 (2)

- (WIN) WINNEBAGO ONLY
- (ITA) ITASCA ONLY
- (265) CODES/STADARDS - CSA/CMVSS
- (1B1) CODES/STANDARDS - USA

(1B1) (265)



DFTR	ORIG. DATE
CHKR	ALL DIMENSIONS ARE IN MILLIMETERS
P.E.	
M.E.	FIRST USED
DSNR	05 400-SERIES

UNSPECIFIED TOLERANCES ARE:	MATERIAL:
HOLE DIM (X)	: 1
ONE-PLACE (X.X)	: 1.5
TWO-PLACE (X.XX)	: 0.50
ANGLE	: 1°
THIRD ANGLE PROJECTION	

FOR ELECTRICAL TORQUE SPECIFICATIONS SEE DWG NO. 128783-01-000

FOR ELECTRICAL CALLOUTS SEE DWG NO. 121339-01-000

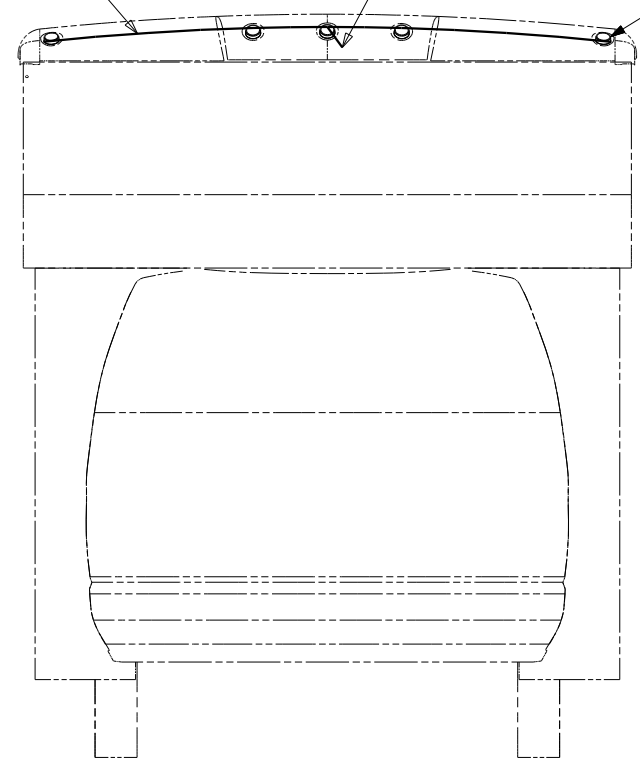
NOTES:  
 1 USED ONLY WITH 430V & 431C.

DO NOT SCALE DRAWING  
 TITLE: WIRING INSTL-EXTERIOR LAMPS  
 SHEET 1 OF 2 PART NO 148558  
 REF: 145071 1 04/22/2004

WIRE ASM-CLEARANCE LAMPS  
126486-04-000

TWO PIN HOUSING  
TO WIRE ASM-ROOF

LAMP ASM-CLEARANCE, AMBER  
138996-01-000 (5)  
BRACKET-LAMP CLEARANCE  
138996-03-000 (5)  
SCREW  
G11-06-08T (10)



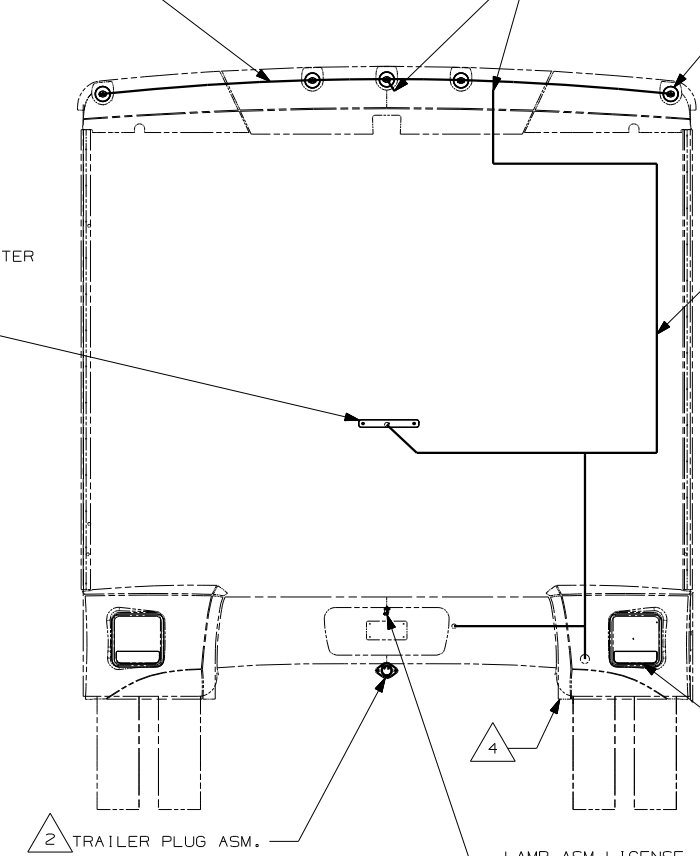
WIRE ASM-CLEARANCE LAMPS  
126486-04-000

2 PIN HOUSING  
TO WIRE ASM-ROOF

LAMP ASM-CLEARANCE, RED  
138996-02-000 (5)  
BRACKET-LAMP CLEARANCE  
138996-03-000 (5)  
SCREW  
G11-06-08T (10)

LAMP-BRAKE, CENTER  
138916-01-000  
SCREW  
G39-06-16T (2)  
BLK/WHT TO YEL  
BLK TO WHT

WIRE ASM-BACKWALL (3)



(2) TRAILER PLUG ASM.

(4)

LAMP ASM-LICENSE  
87201-01-000  
SCREW  
G11-06-12U(EXT) (2)

LAMP ASM-STOP/TURN  
TAIL/BACKUP  
117831-01-000 RH  
117831-02-000 LH  
BULB  
37934-01-000 (2)  
37935-01-000 (2)  
SCREW  
G39-10-48T (8)  
(WIN)

CLAMP  
10497-01-000  
SCREW  
G39-10-12U

CONNECTORS TO  
LAMP ASM'S (4)

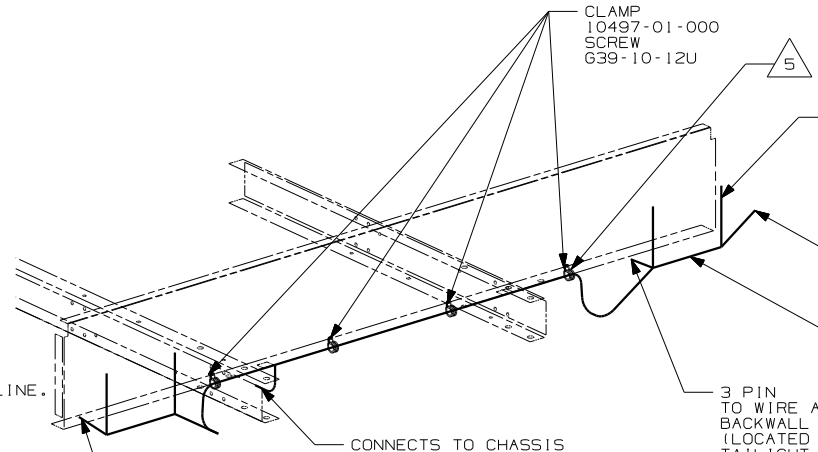
MM, MS  
TO SIDEMARKER  
LAMP

WIRE ASM-TAILLAMPS  
141556-01-000 (WIN)  
141556-02-000 (ITA)

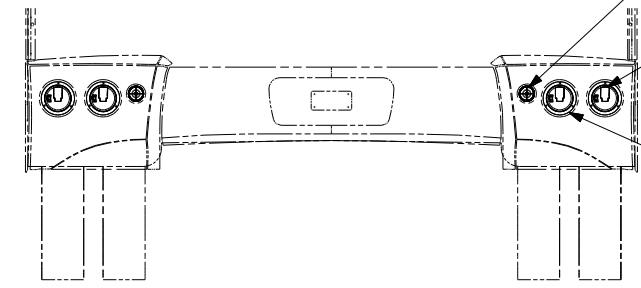
3 PIN  
TO WIRE ASM  
BACKWALL  
(LOCATED BEHIND  
TAILLIGHT POD)

CONNECTS TO CHASSIS  
SUPPLIED WIRING

MM, MS  
TO SIDEMARKER  
LAMP



VIEW BA



REFLECTOR-RED (2)  
141514-01-000  
(ITA)

LAMP ASM-BRAKE, TAIL  
138441-01-000 (2)  
SCREW  
G11-08-12U (EXT) (6)  
(ITA)

LAMP ASM-BACKUP  
138441-02-000 (2)  
SCREW  
G11-08-12U (EXT) (6)  
(ITA)

- (WIN) WINNEBAGO ONLY
- (ITA) ITASCA ONLY
- (265) CODES/STANDARDS - CSA/CMVSS
- (IB1) CODES/STANDARDS - USA

(IB1) (265)

FIRST USED	
05 400-SERIES	
DO NOT SCALE DRAWING	
TITLE:	
WIRING INSTL-EXTERIOR LAMPS	
SHEET 2	PART NO 148558

FOR ELECTRICAL  
TORQUE  
SPECIFICATIONS  
SEE DWG NO.  
128783-01-000

(X-X)  
FOR ELECTRICAL  
CALLOUTS  
SEE DWG NO.  
121339-01-000

- (5) CLAMP LOCATED 700MM FROM CENTERLINE.
- (4) WIRE ASM-TAILLAMPS ROUTED INTO POD IN THIS LOCATION.
- (3) LOCATED IN BACKWALL ASM.
- (2) SECURE WIRE BELOW COACH WITH CLAMP 10495-01-000 AND SCREW G67-10-12B.

NOTES:  
1. CONNECTOR-PLUG, TRAILER 113589-01-000 TO BE SUPPLIED LOOSE IN COACH WITH TRAILER TOW PACKAGE.