



DANGER

Danger of electrical shock, burns or death. Always remove all power sources before attempting any repair, service or diagnostic work. Power can be present from shore power, generator, inverter or battery. All power sources must be disabled and secured before performing any service.

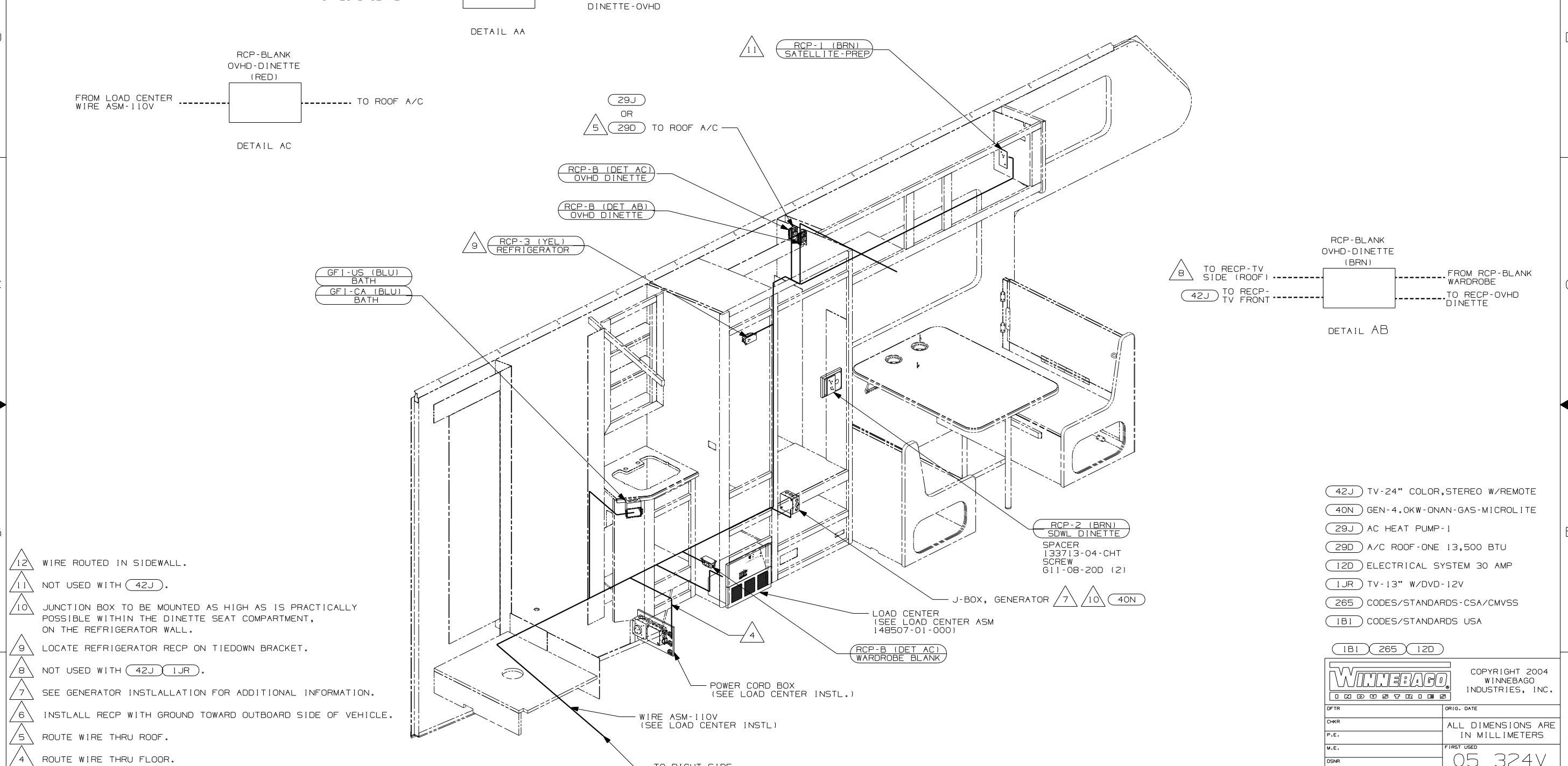


CAUTION

If you lack the skills, tools or equipment to perform diagnostic or repair work leave such work to an authorized Winnebago Industries dealer or other qualified shop.

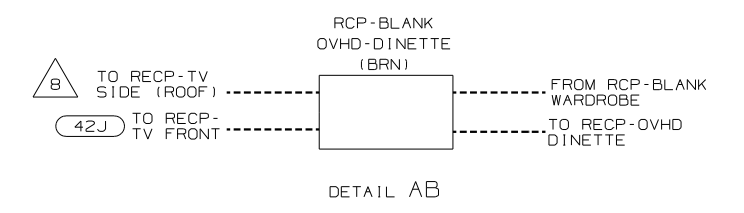
DRAWING NO.	FEATURE
150673-01	-----
150673-11	(1B1) (12D)
150673-15	(265) (12D)

RELEASE	REV DATE	DWG NO	150673
REV ZONE	REVISION RECORD	DATE	DFT-016

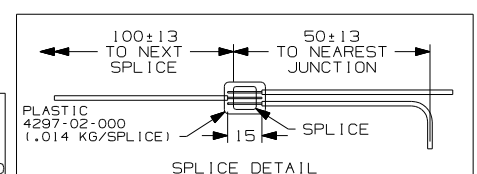


- 12 WIRE ROUTED IN SIDEWALL.
- 11 NOT USED WITH (42J).
- 10 JUNCTION BOX TO BE MOUNTED AS HIGH AS IS PRACTICALLY POSSIBLE WITHIN THE DINETTE SEAT COMPARTMENT, ON THE REFRIGERATOR WALL.
- 9 LOCATE REFRIGERATOR RECP ON TIEDOWN BRACKET.
- 8 NOT USED WITH (42J) (1JR).
- 7 SEE GENERATOR INSTALLATION FOR ADDITIONAL INFORMATION.
- 6 INSTALL RECP WITH GROUND TOWARD OUTBOARD SIDE OF VEHICLE.
- 5 ROUTE WIRE THRU ROOF.
- 4 ROUTE WIRE THRU FLOOR.

- NOTES:
3. ALL GROUND WIRE TO BE COVERED WITH TUBING 8041-02-000.
 2. ALL 110V WIRE TO BE CLAMPED WITH CLAMP 10497-05-000 WITHIN 200 OF OUTLET BOXES, USE SCREW G67-10-12B.
 1. ALL WIRES TO BE SECURED WITH CLAMP 10495-01-000 OR CLIP 80734-01-000 EVERY 600MM. USE SCREW G67-10-12B UNLESS OTHERWISE SPECIFIED.



- (42J) TV-24" COLOR, STEREO W/REMOTE
- (40N) GEN-4.0KW-ONAN-GAS-MICROLITE
- (29J) AC HEAT PUMP-1
- (29D) A/C ROOF-ONE 13,500 BTU
- (12D) ELECTRICAL SYSTEM 30 AMP
- (1JR) TV-13" W/DVD-12V
- (265) CODES/STANDARDS-CSA/CMVSS
- (1B1) CODES/STANDARDS USA



WINNEBAGO COPYRIGHT 2004 WINNEBAGO INDUSTRIES, INC.

DFT#	ORIG. DATE
CHKR	ALL DIMENSIONS ARE IN MILLIMETERS
P.E.	
M.E.	FIRST USED
DSNR	05 324V

UNSPECIFIED TOLERANCES ARE: MATERIAL:

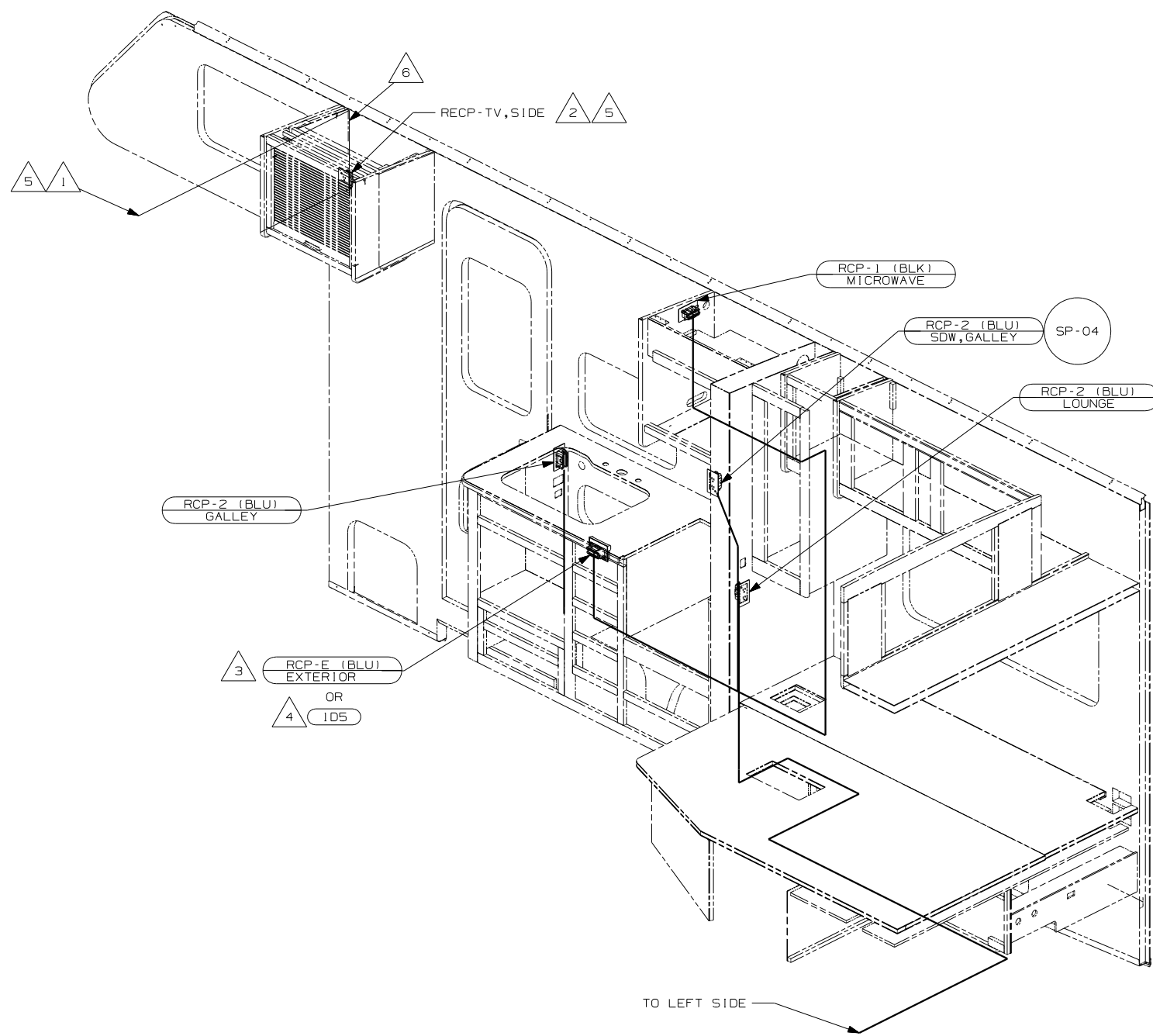
DO NOT SCALE DRAWING

TITLE: WIRING INSTL-BODY, 110V

SHEET 1 OF 2 PART NO 150673

REF: 14620B-C | 07/20/2004

FOR ELECTRICAL CALLOUTS SEE DWG NO. 121339-01-000



- △ 6 COVER DROP WITH CONVOLUTE
- △ 5 NOT USED WITH (42J) OR (1JR).
- △ 4 SEE ENTERTAINMENT CENTER COMPL FOR ADDITIONAL INFORMATION.
- △ 3 NOT USED WITH (1D5).
- △ 2 SEE WIRING INSTL-SIDE TV FOR ADDITIONAL INFORMATION.
- △ 1 WIRE ROUTED IN ROOF.

NOTES:

- (42J) TV-24" COLOR, STEREO W/REMOTE
- (1JR) TV-13" W/DVD-12V
- (1D5) ENTERTAINMENT CENTR/EXT W/CD
- (265) CODES/STANDARDS-CSA/CMVSS
- (1B1) CODES/STANDARDS USA

(1B1) (265) (12D) (49X)

FIRST USED		05 324V	
DO NOT SCALE DRAWING			
TITLE: WIRING INSTL-BODY, 110V			
SHEET 2	PART NO	150673	