



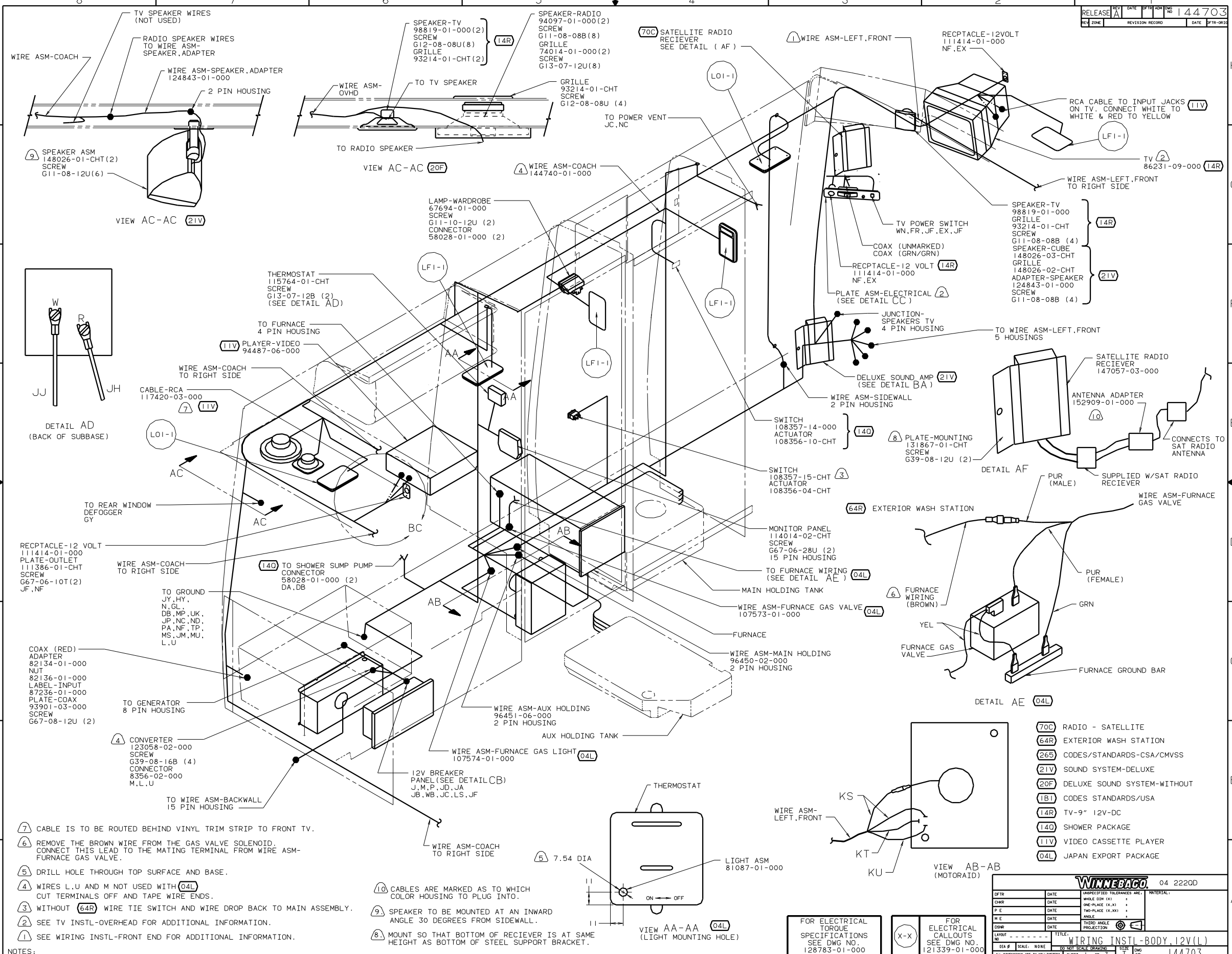
DANGER

Danger of electrical shock, burns or death. Always remove all power sources before attempting any repair, service or diagnostic work. Power can be present from shore power, generator, inverter or battery. All power sources must be disabled and secured before performing any service.



CAUTION

If you lack the skills, tools or equipment to perform diagnostic or repair work leave such work to an authorized Winnebago Industries dealer or other qualified shop.



- NOTES:
- 7 CABLE IS TO BE ROUTED BEHIND VINYL TRIM STRIP TO FRONT TV.
 - 6 REMOVE THE BROWN WIRE FROM THE GAS VALVE SOLENOID. CONNECT THIS LEAD TO THE MATING TERMINAL FROM WIRE ASM-FURNACE GAS VALVE.
 - 5 DRILL HOLE THROUGH TOP SURFACE AND BASE.
 - 4 WIRES L,U AND M NOT USED WITH (04L) CUT TERMINALS OFF AND TAPE WIRE ENDS.
 - 3 WITHOUT (64R) WIRE TIE SWITCH AND WIRE DROP BACK TO MAIN ASSEMBLY.
 - 2 SEE TV INSTL-FRONT END FOR ADDITIONAL INFORMATION.
 - 1 SEE WIRING INSTL-FRONT END FOR ADDITIONAL INFORMATION.

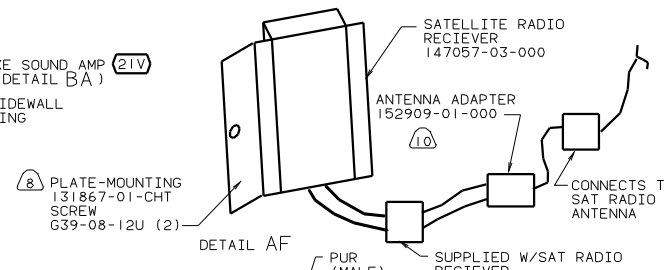
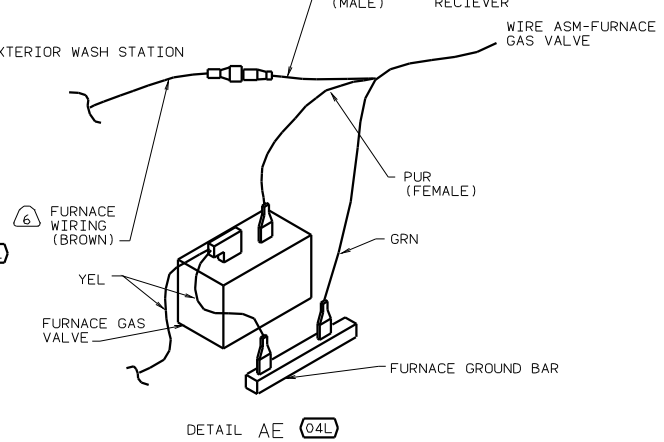
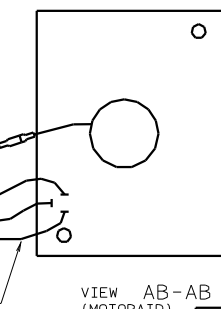
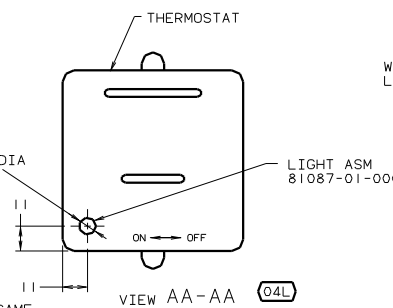
- (70C) RADIO - SATELLITE
- (64R) EXTERIOR WASH STATION
- (265) CODES/STANDARDS-CSA/CMVSS
- (21V) SOUND SYSTEM-DELUXE
- (20F) DELUXE SOUND SYSTEM-WITHOUT
- (1B1) CODES STANDARDS/USA
- (14R) TV-9" 12V-DC
- (140) SHOWER PACKAGE
- (11V) VIDEO CASSETTE PLAYER
- (04L) JAPAN EXPORT PACKAGE

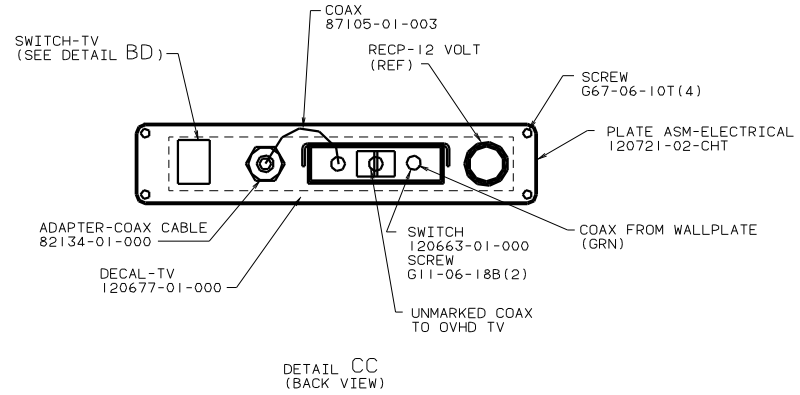
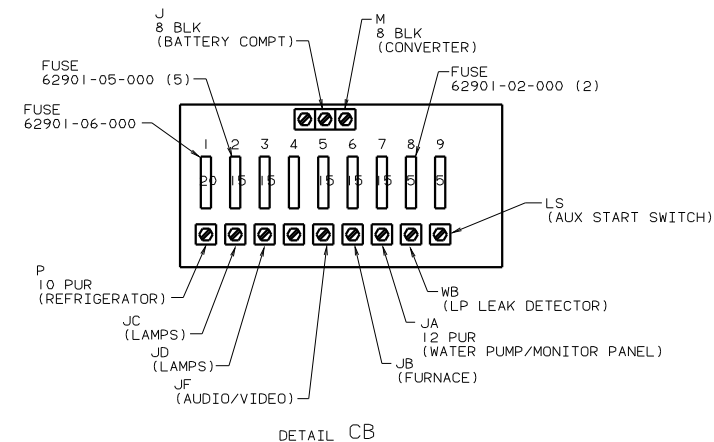
LAYOUT NO.		DATE		UNSPECIFIED TOLERANCES ARE:		MATERIAL:	
CHR	DATE	WHOLE DIM (X)	+	ONE-PLACE (X.X)	+		
P E	DATE	TWO-PLACE (X.XX)	+				
M E	DATE	THIRD ANGLE PROJECTION					
DSNR	DATE						

TITLE: WIRING INSTL-BODY, 12V (L)
 DIA # SCALE: NONE
 DO NOT SCALE DRAWING
 SHEET 3 OF 3
 REF: 141374 A I

FOR ELECTRICAL TORQUE SPECIFICATIONS SEE DWG NO. 128783-01-000

(X-X) FOR ELECTRICAL CALLOUTS SEE DWG NO. 121339-01-000





FOR ELECTRICAL TORQUE SPECIFICATIONS SEE DWG NO. 128783-01-000

- (265) CODES/STANDARDS-CSA/CMVSS
- (1B1) CODES STANDARDS/USA
- (04L) JAPAN EXPORT PACKAGE
- (1B1) (265) (04L) 04 2220D

TITLE		WIRING INSTL-BODY, 12V(EXT)	
DD	NO	REV	NO
3	3	1	1
SHEET		DWG NO	
3 of 3		144703	

NOTES: