



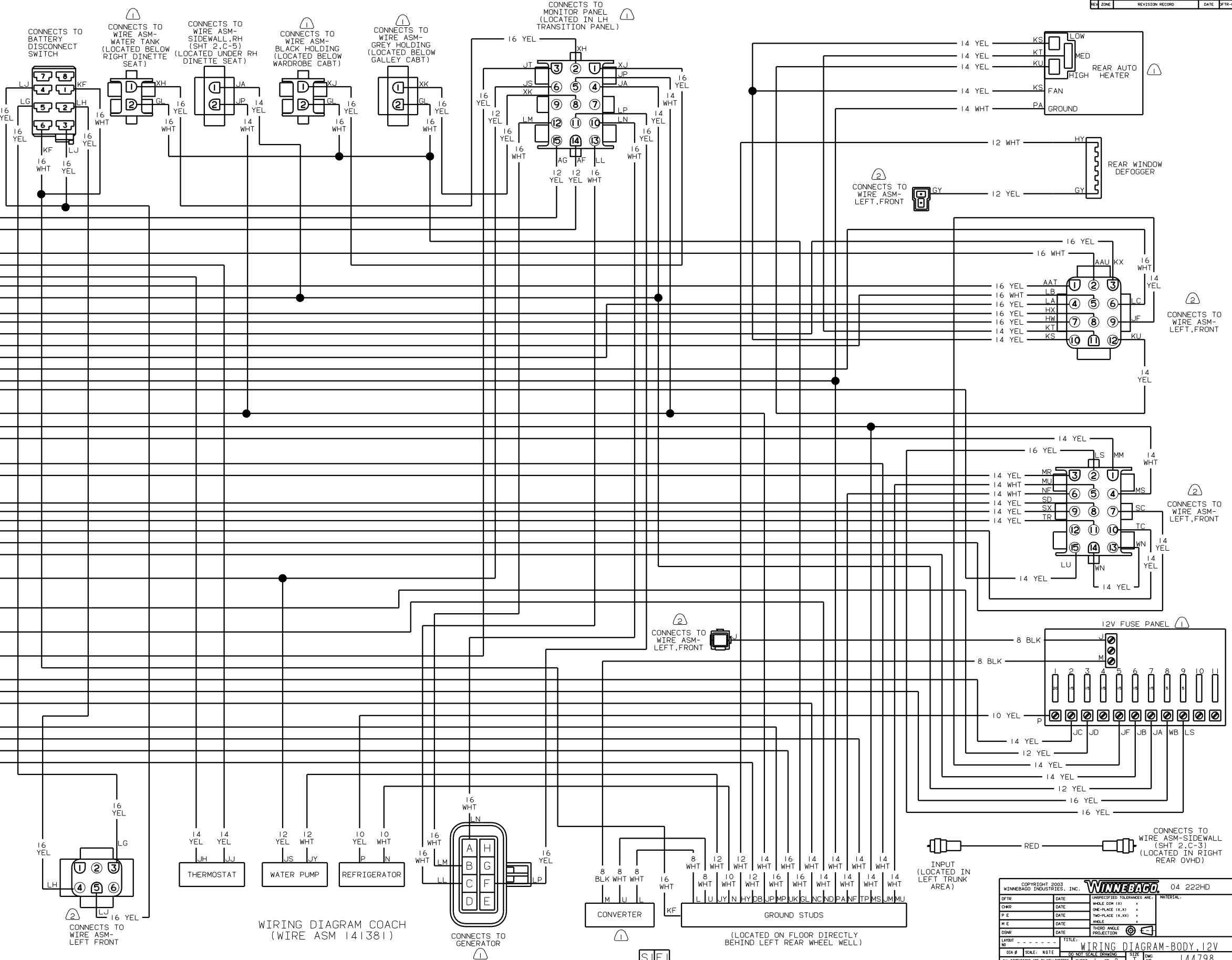
**DANGER**

**Danger of electrical shock, burns or death.** Always remove all power sources before attempting any repair, service or diagnostic work. Power can be present from shore power, generator, inverter or battery. All power sources must be disabled and secured before performing any service.



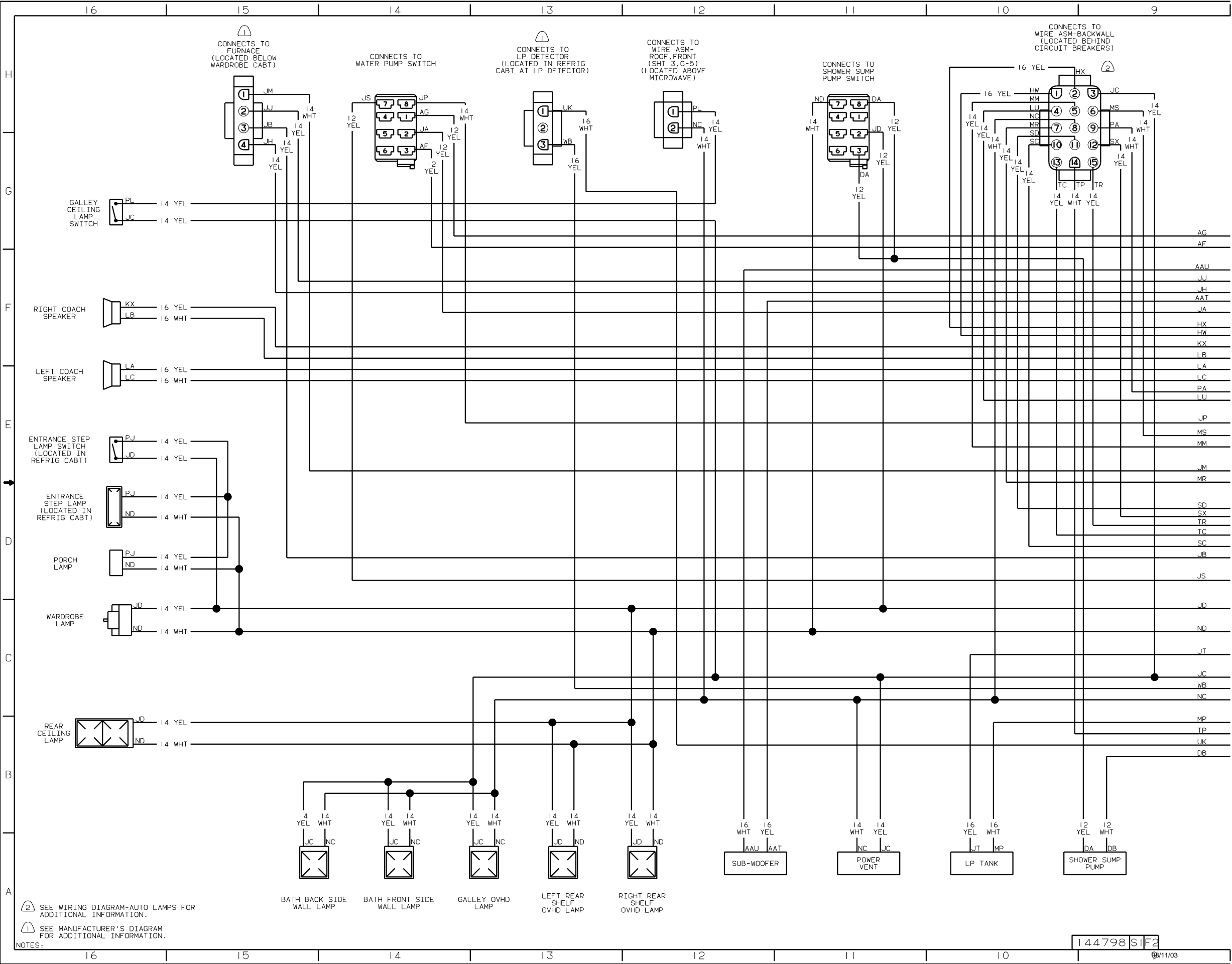
**CAUTION**

If you lack the skills, tools or equipment to perform diagnostic or repair work leave such work to an authorized Winnebago Industries dealer or other qualified shop.



WIRING DIAGRAM COACH  
 (WIRE ASM 141381)

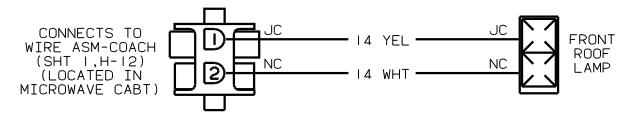
COPYRIGHT 2003 WINNEBAGO INDUSTRIES, INC. <b>WINNEBAGO</b> 04 222HD			
DTR	DATE	UNSPECIFIED TOLERANCES ARE:	MATERIAL:
CMR	DATE	ANGLE DIM (X, Y)	ONE-PLACE (X, Y)
P E	DATE	THO-PLACE (X, XX)	ANGLE
M E	DATE	THIRD ANGLE PROJECTION	
DSNR	DATE		
LAYOUT NO	TITLE	WIRING DIAGRAM-BODY, 12V	
DIA #	SCALE	NOTE	DO NOT SCALE DRAWING
ALL DIMENSIONS ARE IN MILLIMETERS	SHEET	OF 2	FIG NO 144798



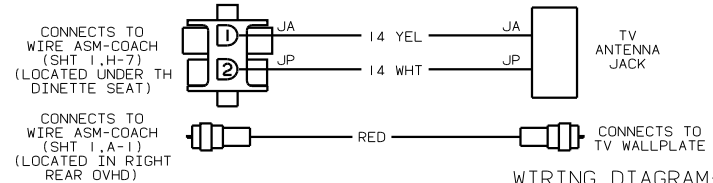
② SEE WIRING DIAGRAM-AUTO LAMPS FOR ADDITIONAL INFORMATION.

① SEE MANUFACTURER'S DIAGRAM FOR ADDITIONAL INFORMATION.

NOTES:



WIRING DIAGRAM-ROOF,FRONT  
(WIRE ASM 119112)



WIRING DIAGRAM-SIDEWALL  
(WIRE ASM 111451-03)