

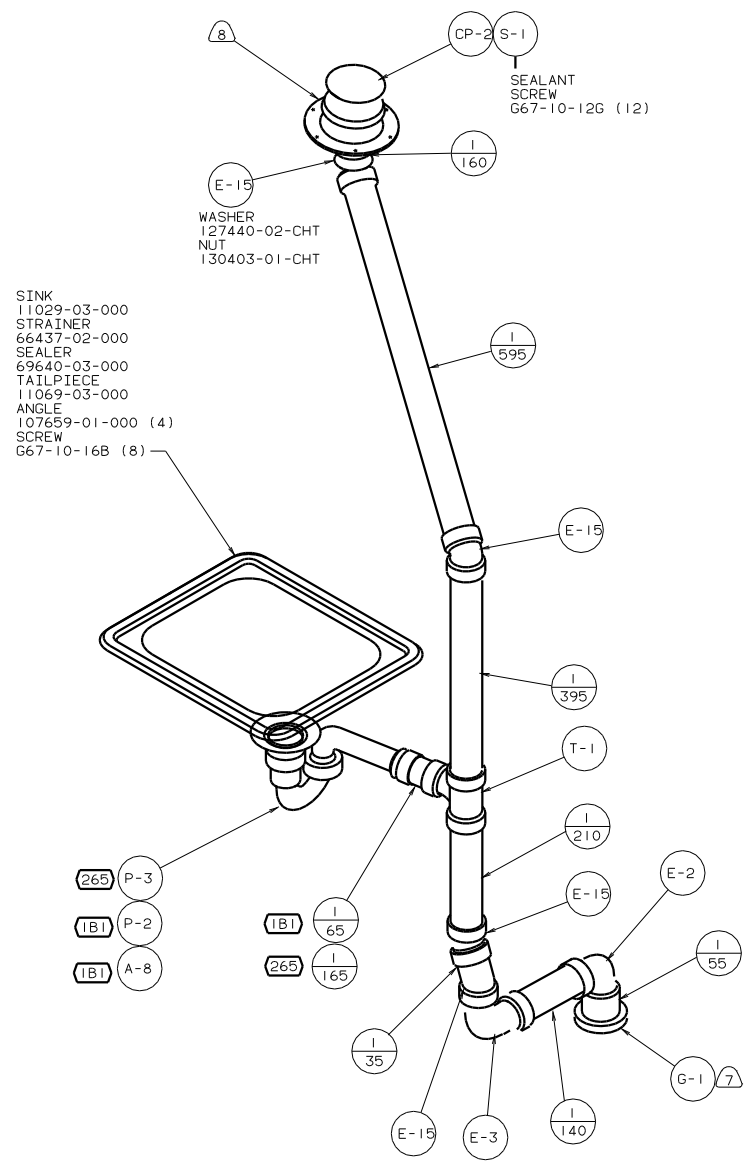
- NOTES:
1. SLOPE OF HORIZONTAL PIPING TO BE 6 PER 305.
 2. SLOPE OF TRAP ARM MUST BE 6 PER 305.
 3. ALL PIPE AND FITTINGS TO BE ASSEMBLED WITH SOLVENT 4020-01-000.
 4. ALL EXTERIOR OPENINGS AROUND PIPE TO BE SEALED WITH 69637-01-000.
 5. EXPOSED PIPE ABOVE ROOF TO BE PAINTED 37163-01-000.
 6. FOR CAN UNITS EACH HOLDING TANK SHALL HAVE A CSA APPROVAL STAMPED NEAR THE IAMPO APPROVAL.

7. SEE DWG 61607-01-000 FOR INSTALLATION OF GROMMET.
8. VENT PIPE MUST PROJECT 51 MIN AND 63.5 MAX ABOVE ROOF FOR PROPER FIT AND FUNCTION.
9. SECURE PIPES TO CABINET USING WIRE TIE 108046-02-000 AND SCREW 667-10-12U (8).
10. PLACE GASKET BETWEEN FLOOR AND BOTTOM OF TANK.

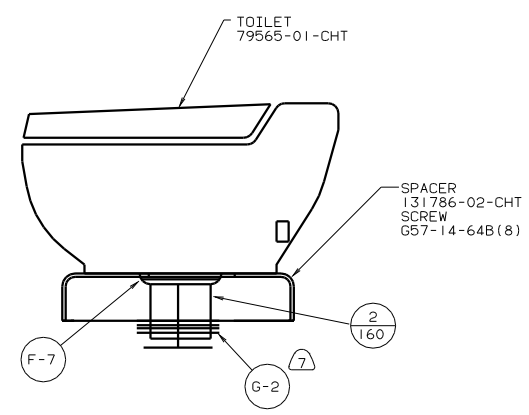
- (265) CODES/STANDARDS-CSA/CMVSS
- (1B1) CODES STANDARDS/USA
- (1A7) SHOWER PACKAGE-WITHOUT
- (140) SHOWER PACKAGE

FOR
DRAINAGE
CALLOUTS
SEE DWG NO.
116229-01-000

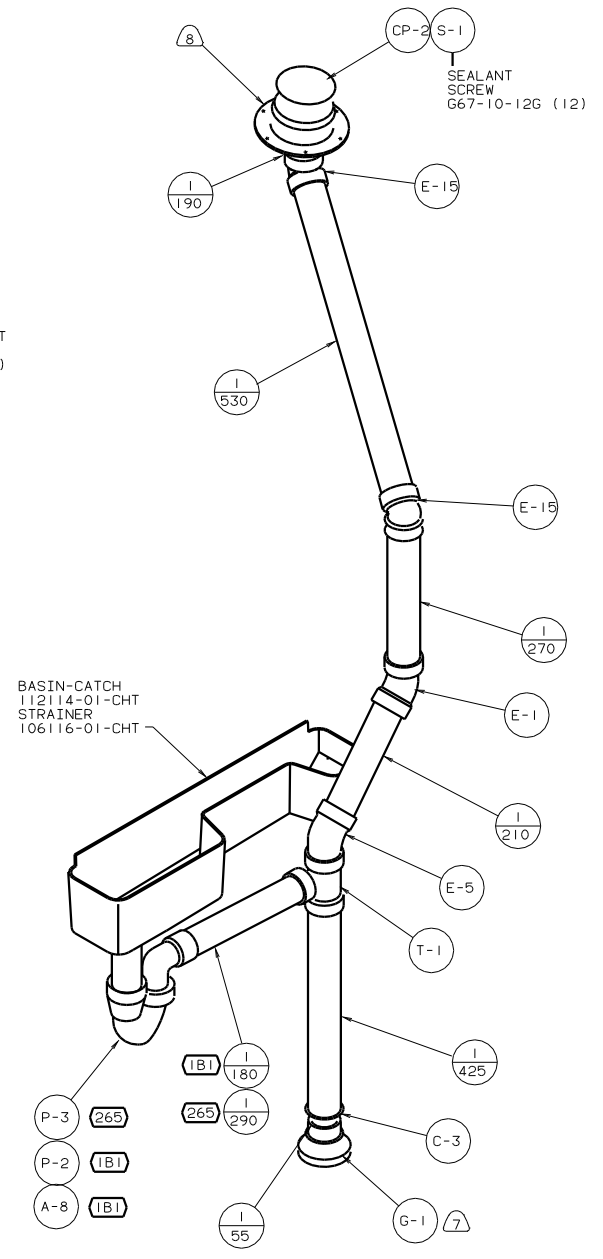
COPYRIGHT 2003 WINNEBAGO INDUSTRIES, INC.		WINNEBAGO		03 222HD
LAYOUT NO	222HD	TITLE	DRAINAGE SYSTEM INSTL	
DIA Ø	SCALE: NONE	DO NOT SCALE DIMENSIONS	SIZE	DWG NO
ALL DIMENSIONS ARE IN MILLIMETERS		SHEET	1 OF 3	141597
REF: 135954 C		08/11/03		



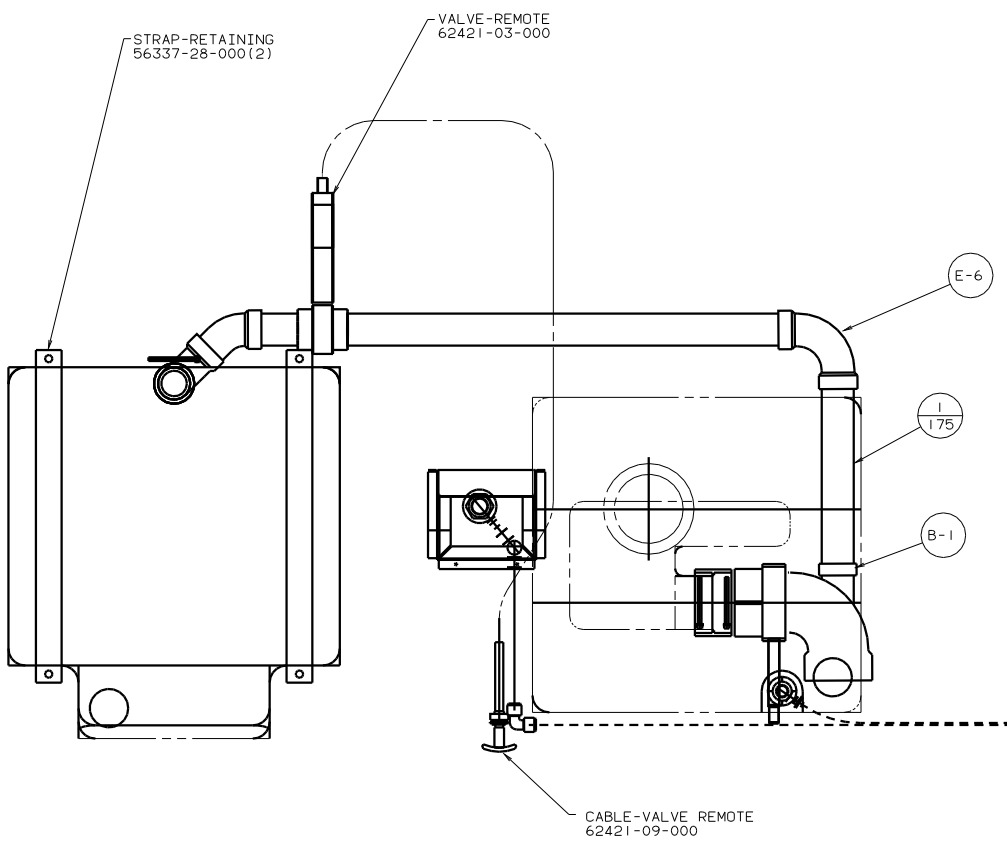
DETAIL A



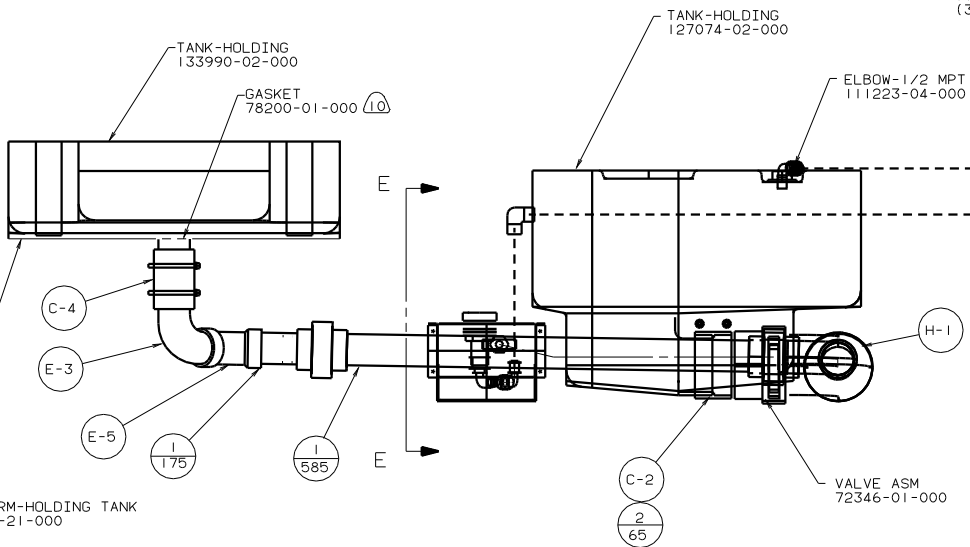
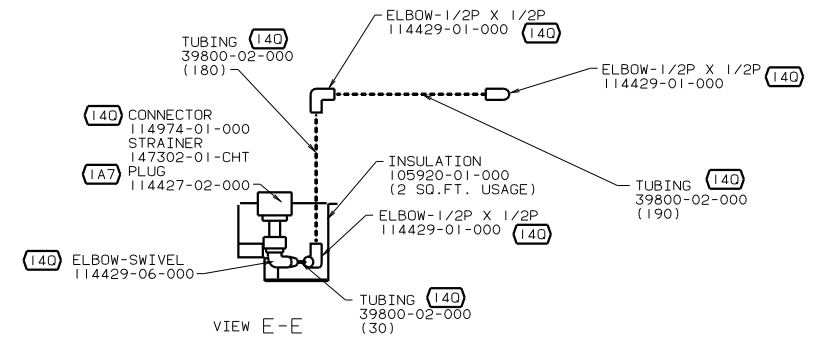
DETAIL B



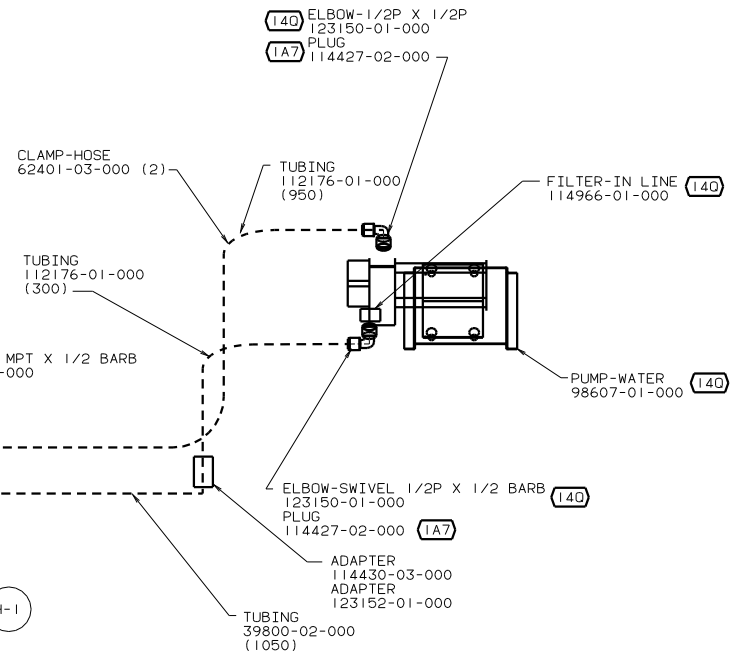
DETAIL C

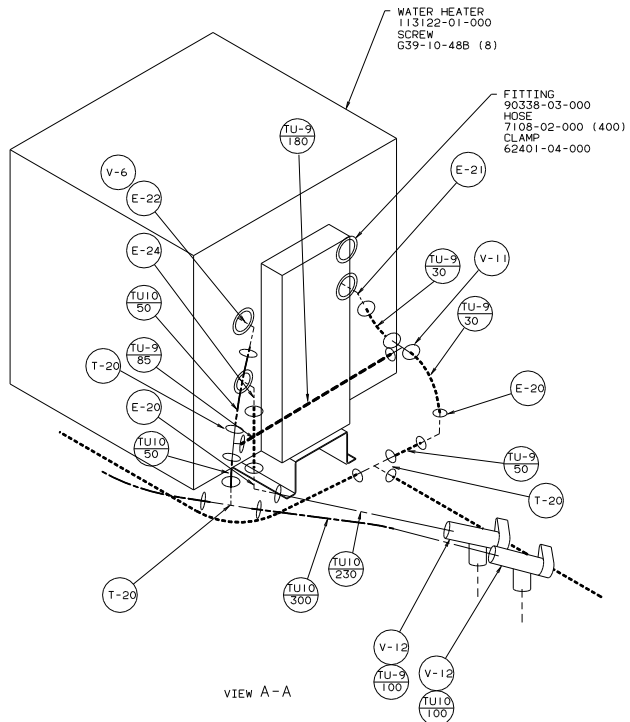


VIEW D-D

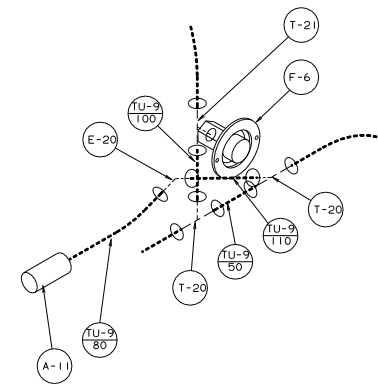


VIEW F-F

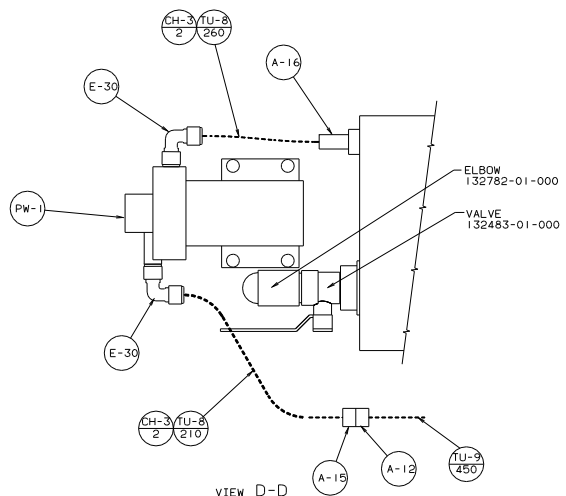




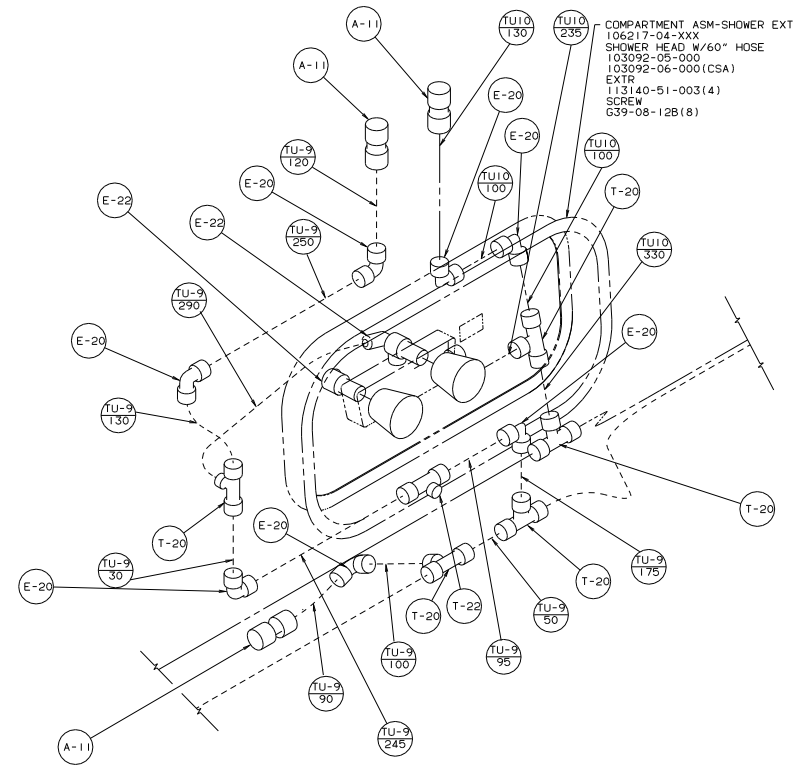
VIEW A-A



DETAIL B



VIEW D-D



VIEW C-C (64R)