

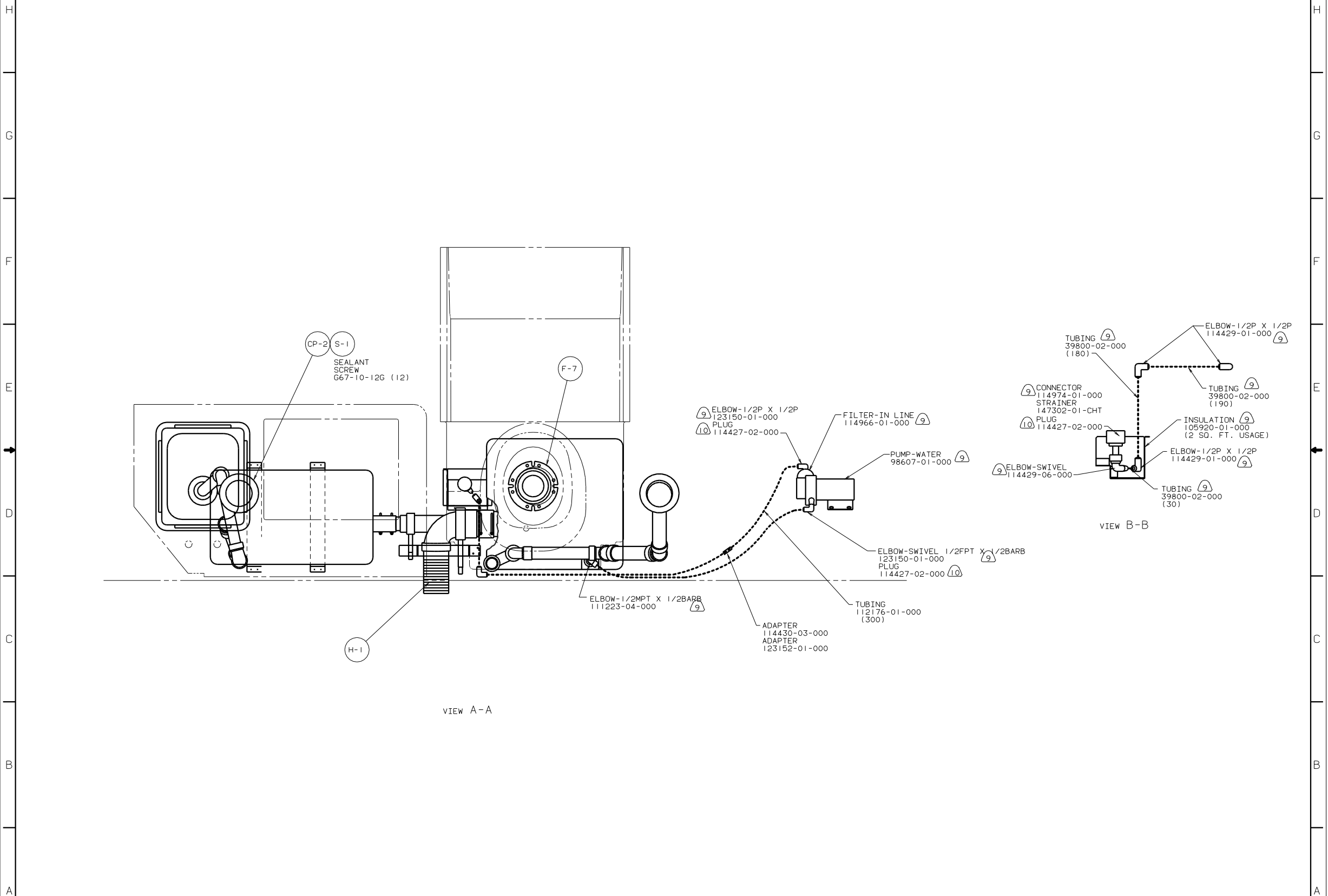
- NOTES:
1. SLOPE OF HORIZONTAL PIPING TO BE 6 PER 305.
 2. SLOPE OF TRAP ARM MUST BE 6 PER 305.
 3. ALL PIPE AND FITTINGS TO BE ASSEMBLED WITH SOLVENT 4020-01-000.
 4. ALL EXTERIOR OPENINGS AROUND PIPE TO BE SEALED WITH 69637-01-000.
 5. EXPOSED PIPE ABOVE ROOF TO BE PAINTED 37163-01-000.

6. FOR CANADIAN UNITS EACH HOLDING TANK SHALL HAVE A CSA APPROVAL STAMPED NEAR THE IAMPO APPROVAL.
7. SEE DWG 61607-01-000 FOR INSTALLATION OF GROMMET.
8. VENT PIPE MUST PROJECT 51 MM MIN AND 63.5 MM MAX ABOVE ROOF FOR PROPER FIT AND FUNCTION.
9. 140 SHOWER PACKAGE.
10. 1A7 SHOWER PACKAGE WITHOUT.
11. USE SCRAP CLOSED CELL NEOPRENE FROM 77075-01.-02 OR -03 ON BRACKETS FOR VIBRATION DAMPENING.
12. NOT USED ON CANADIAN UNIT.
13. SECURE PIPES TO CABINET USING WIRE TIE 108046-02-000 AND SCREW G67-10-12U (8).

X-X FOR DRAINAGE CALLOUTS SEE DWG NO. 116229-01-000

222RC/RT US/CANADIAN
 181 CODE STANDARDS-USA
 265 CODE STANDARDS-CSA

COPYRIGHT 2003 WINNEBAGO INDUSTRIES, INC.		WINNEBAGO		03 222 FD
LAYOUT NO	DATE	UNSPECIFIED TOLERANCES ARE:	MATERIAL:	
221R16		WHOLE DIM (XX) ± 3		
DIA Ø	SCALE: NONE	ONE-PLACE (X,XX) ±		
		TWO-PLACE (X,XX) ±		
		THIRD ANGLE PROJECTION		
ALL DIMENSIONS ARE IN MILLIMETERS		SHEET 1 OF 2	DWG NO	141596
REF: 126232 K 08/11/03				



CP-2 S-1
SEALANT
SCREW
G67-10-12G (12)

F-7

H-1

ELBOW-1/2P X 1/2P
123150-01-000
PLUG
114427-02-000

FILTER-IN LINE
114966-01-000

PUMP-WATER
98607-01-000

ELBOW-SWIVEL 1/2FPT X 1/2BARB
123150-01-000
PLUG
114427-02-000

TUBING
112176-01-000
(300)

ADAPTER
114430-03-000
ADAPTER
123152-01-000

ELBOW-1/2MPT X 1/2BARB
111223-04-000

TUBING
39800-02-000
(180)

CONNECTOR
114974-01-000
STRAINER
147302-01-CHT
PLUG
114427-02-000

ELBOW-SWIVEL
114429-06-000

ELBOW-1/2P X 1/2P
114429-01-000

TUBING
39800-02-000
(190)

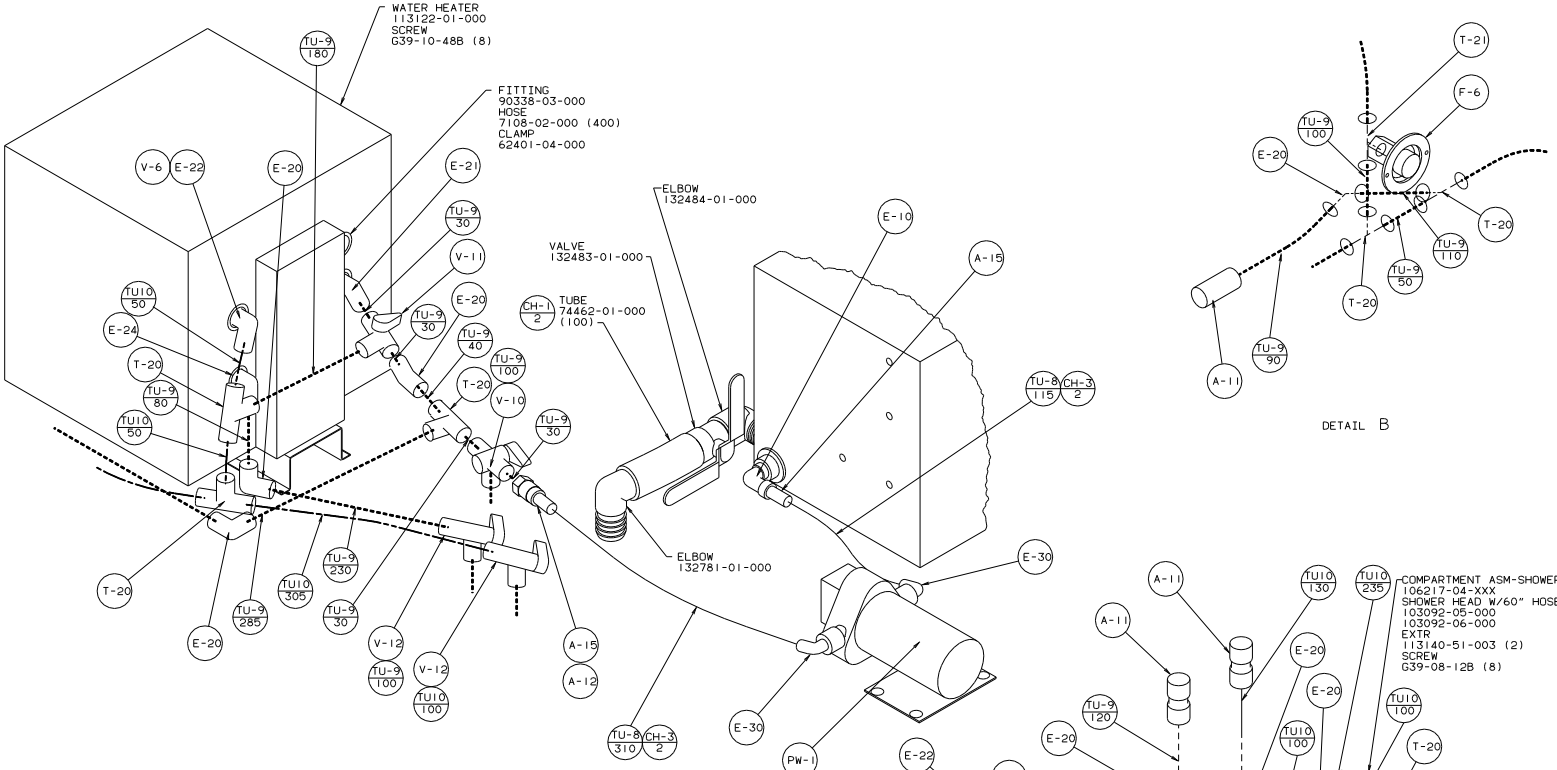
INSULATION
105920-01-000
(2 SQ. FT. USAGE)

ELBOW-1/2P X 1/2P
114429-01-000

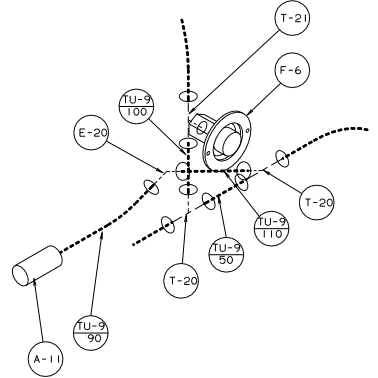
TUBING
39800-02-000
(30)

VIEW B-B

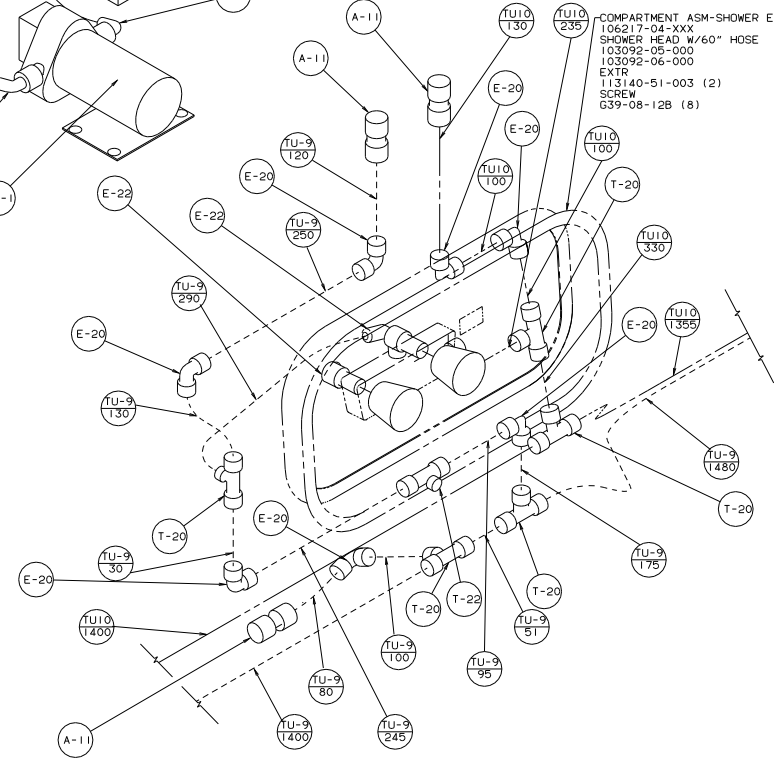
VIEW A-A



VIEW A-A



DETAIL B



VIEW C-C (64R)
WITH EXTERIOR SHOWER

COMPARTMENT ASM-SHOWER EXT
 106217-04-XXX
 SHOWER HEAD W/60" HOSE
 103092-05-000
 103092-06-000
 EXTR
 113140-51-003 (2)
 SCREW
 G39-08-12B (8)