



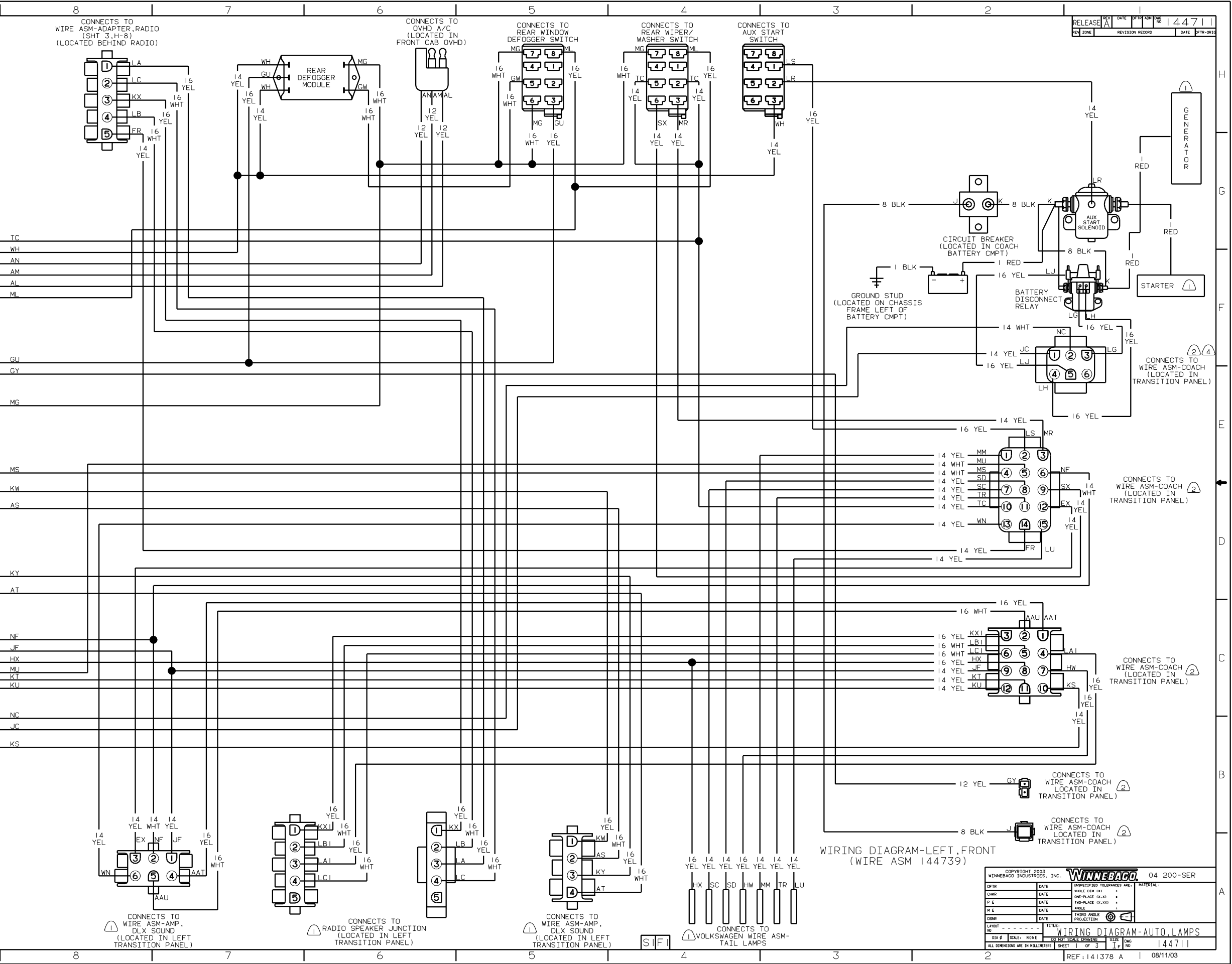
**DANGER**

**Danger of electrical shock, burns or death.** Always remove all power sources before attempting any repair, service or diagnostic work. Power can be present from shore power, generator, inverter or battery. All power sources must be disabled and secured before performing any service.



**CAUTION**

If you lack the skills, tools or equipment to perform diagnostic or repair work leave such work to an authorized Winnebago Industries dealer or other qualified shop.



CONNECTS TO WIRE ASM-ADAPTER,RADIO (SHT 3,H-8) (LOCATED BEHIND RADIO)

CONNECTS TO OVHD A/C (LOCATED IN FRONT CAB OVHD)

CONNECTS TO REAR WINDOW DEFOGGER SWITCH

CONNECTS TO REAR WIPER/WASHER SWITCH

CONNECTS TO AUX START SWITCH

CONNECTS TO WIRE ASM-AMP, DLX SOUND (LOCATED IN LEFT TRANSITION PANEL)

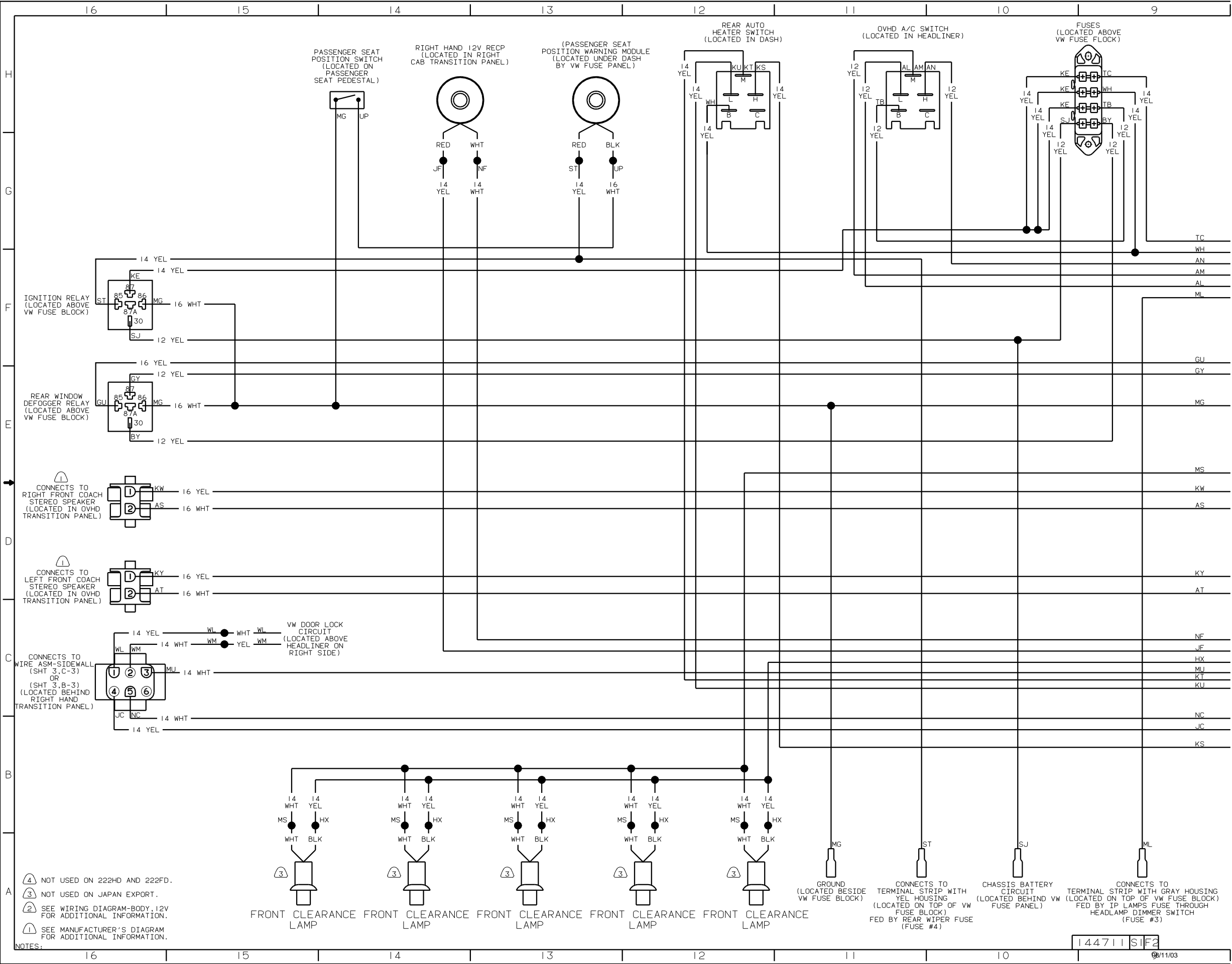
CONNECTS TO RADIO SPEAKER JUNCTION (LOCATED IN LEFT TRANSITION PANEL)

CONNECTS TO WIRE ASM-AMP, DLX SOUND (LOCATED IN LEFT TRANSITION PANEL)

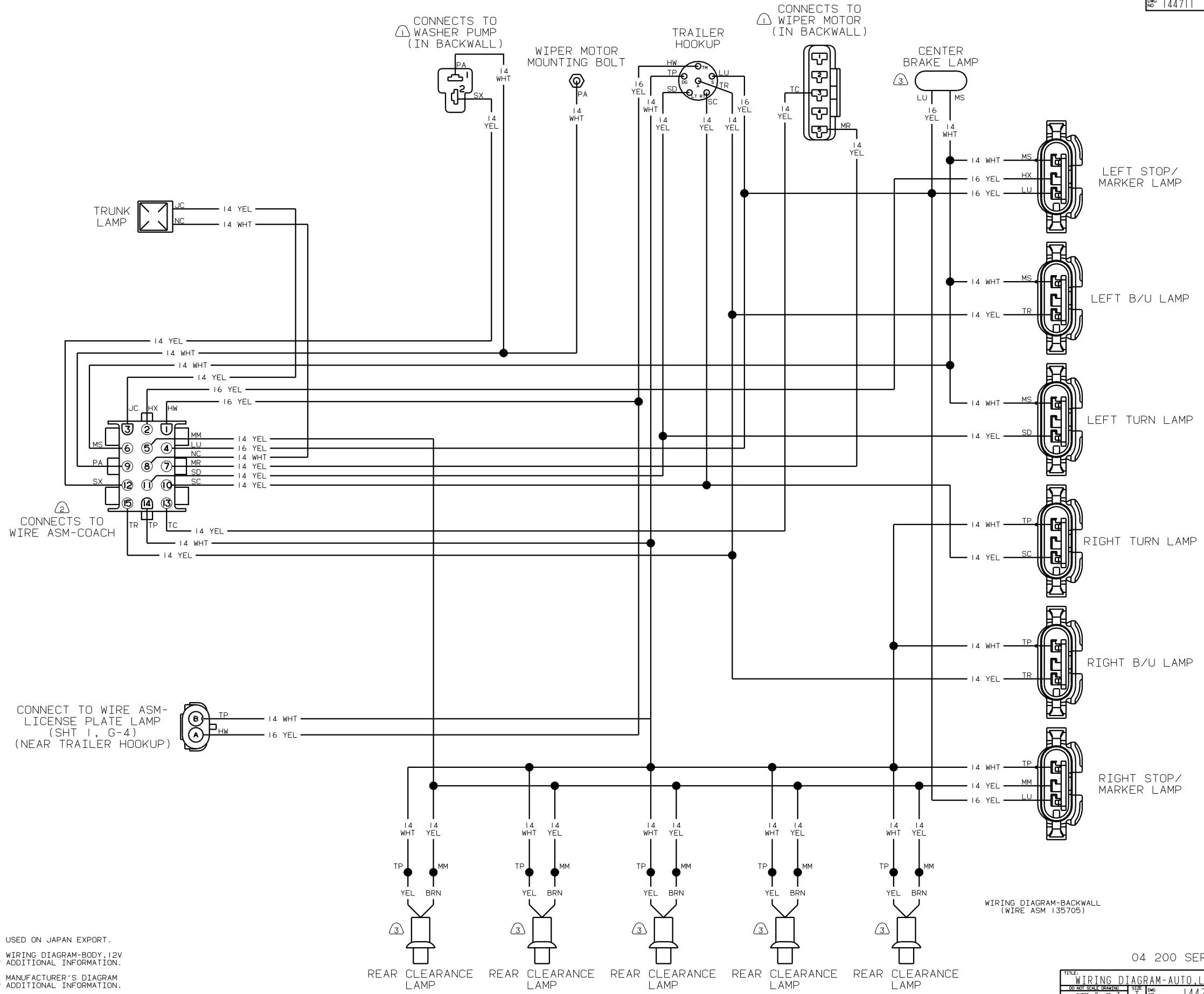
CONNECTS TO VOLKSWAGEN WIRE ASM-TAIL LAMPS

WIRING DIAGRAM-LEFT,FRONT (WIRE ASM 144739)

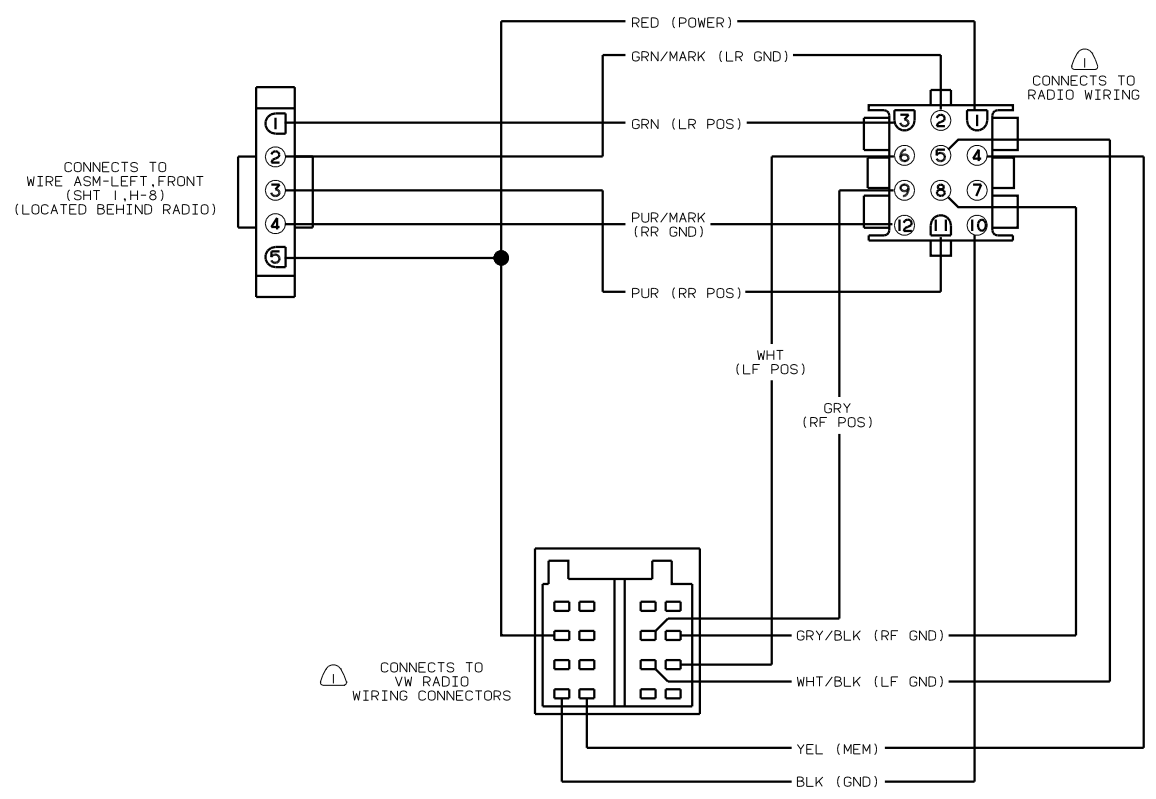
COPYRIGHT 2003 WINNEBAGO INDUSTRIES, INC. <b>WINNEBAGO</b> 04 200-SER		MATERIAL:	
DATE	UNSPECIFIED TOLERANCES ARE:		
DATE	WHOLE DIM (XX)	+	
DATE	ONE-PLACE (X.X)	+	
DATE	TWO-PLACE (X.XX)	+	
DATE	ANGLE	+	
DATE	THIRD ANGLE PROJECTION	+	
DATE			
TITLE: WIRING DIAGRAM-AUTO,LAMPS		DRAWN: [Signature]	
SCALE: NONE		SHEET NO: 144711	
ALL DIMENSIONS ARE IN MILLIMETERS		SHEET OF 3	



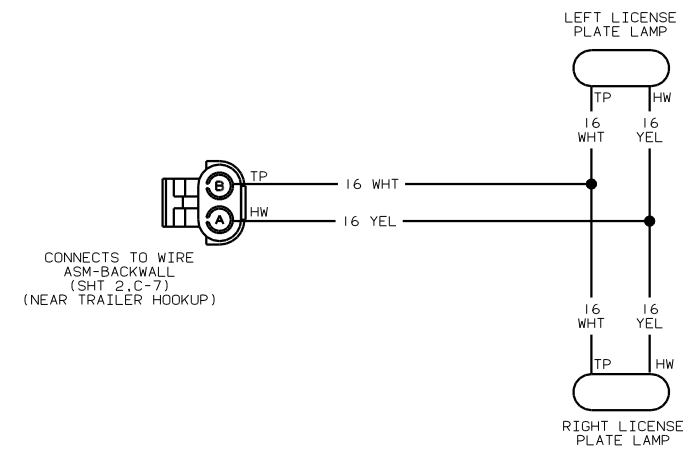
- NOTES:
- ④ NOT USED ON 222HD AND 222FD.
  - ③ NOT USED ON JAPAN EXPORT.
  - ② SEE WIRING DIAGRAM-BODY, 12V FOR ADDITIONAL INFORMATION.
  - ① SEE MANUFACTURER'S DIAGRAM FOR ADDITIONAL INFORMATION.



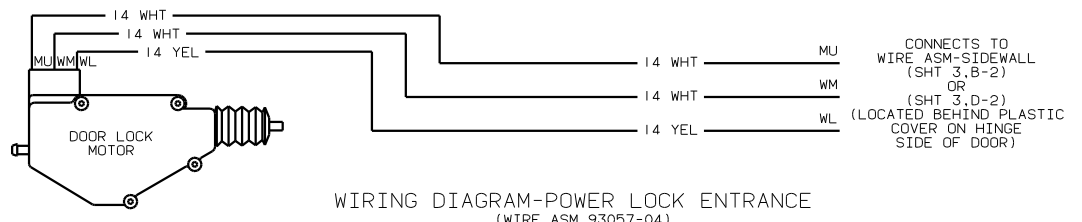
NOTES:  
 ③ NOT USED ON JAPAN EXPORT.  
 ② SEE WIRING DIAGRAM-BODY, 12V FOR ADDITIONAL INFORMATION.  
 ① SEE MANUFACTURER'S DIAGRAM FOR ADDITIONAL INFORMATION.



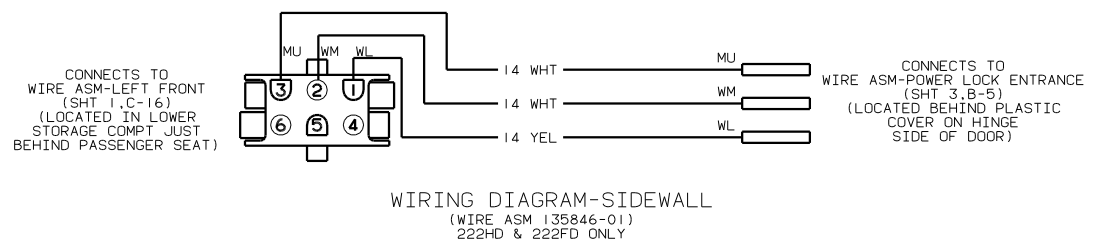
WIRING DIAGRAM-ADAPTER,RADIO  
(WIRE ASM 114365-02)



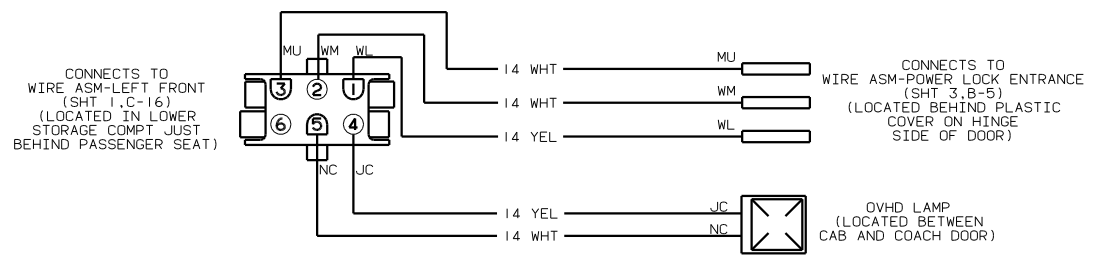
WIRING DIAGRAM LICENSE PLATE LAMPS  
(WIRE ASM 113731-02 US/CA)  
(WIRE ASM-113731-01 JAPAN EXPORT)



WIRING DIAGRAM-POWER LOCK ENTRANCE  
(WIRE ASM 93057-04)



WIRING DIAGRAM-SIDEWALL  
(WIRE ASM 135846-01)  
222HD & 222FD ONLY



WIRING DIAGRAM-SIDEWALL  
(WIRE ASM 135846-02)  
222GD ONLY

NOTES:  
SEE MANUFACTURER'S DIAGRAM FOR ADDITIONAL INFORMATION.