



DANGER

Danger of electrical shock, burns or death. Always remove all power sources before attempting any repair, service or diagnostic work. Power can be present from shore power, generator, inverter or battery. All power sources must be disabled and secured before performing any service.



CAUTION

If you lack the skills, tools or equipment to perform diagnostic or repair work leave such work to an authorized Winnebago Industries dealer or other qualified shop.

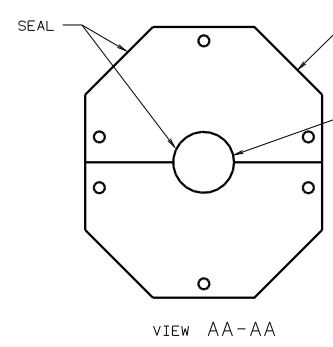
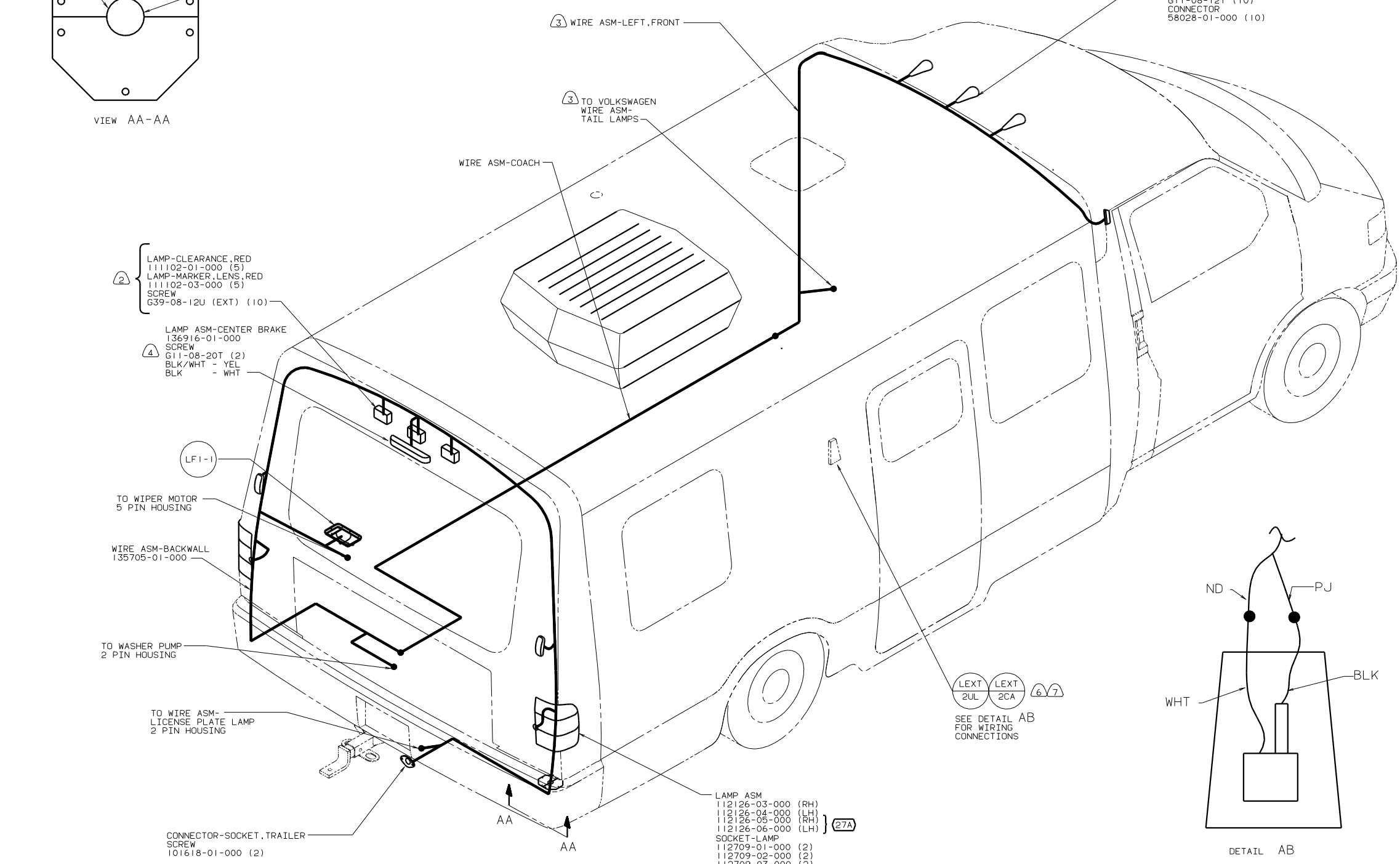
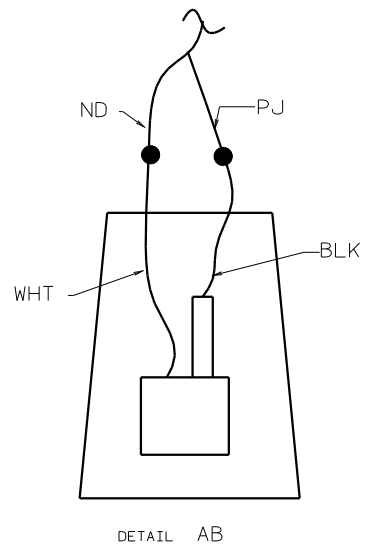


PLATE 109081-02-000 (2)
 SCREW G11-08-16U (6)

VIEW AA-AA



LAMP-CLEARANCE, AMBER (5)
 113709-01-000 (5)
 SCREW G11-08-12T (10)
 CONNECTOR 58028-01-000 (10)



LEX 2UL LEX 2CA 6 7
 SEE DETAIL AB FOR WIRING CONNECTIONS

LAMP ASM
 112126-03-000 (RH)
 112126-04-000 (LH)
 112126-05-000 (RH)
 112126-06-000 (LH) } 27A
 SOCKET-LAMP
 112709-01-000 (2)
 112709-02-000 (2)
 112709-03-000 (2)
 BULB
 112707-01-000 (4)
 112708-01-000 (2)
 BRACKET ASM-TAIL LAMP
 113778-03-000 (2)
 SCREW
 G39-10-209 (4)
 GROMMET
 23942-01-000 (2)

- 7 INSTALL WITH WIRE TOWARD ROOF.
- 6 NOT USED ON THE 222S.
- 5 CONNECT WIRE HX (YEL) TO RED WIRE AND WIRE MS (WHT) TO WHT WIRE.
- 4 ON INTERIOR OF CAP, GRIND OFF TIP OF SCREW PRIOR TO SEALING (TO PROVIDE INNER LINER CLEARANCE).
- 3 SEE WIRING INSTL-FRONT END FOR ADDITIONAL INFORMATION.
- 2 LOCATE ON CENTER OF HOLE IN CAP ASM-REAR.

1. CONNECTOR-PLUG, TRAILER 113589-01-000 TO BE SUPPLIED LOOSE IN COACH WITH TRAILER TOW PACKAGE.

NOTES:

27A EXT FULL BODY PAINT PKG #1

X-X FOR ELECTRICAL CALLOUTS SEE DWG NO. 121339-01-000
 FOR ELECTRICAL TORQUE SPECIFICATIONS SEE DWG NO. 128783-01-000

COPYRIGHT 2003 WINNEBAGO INDUSTRIES, INC. WINNEBAGO 04 200 SERIES	
DATE	UNSPECIFIED TOLERANCES ARE:
DATE	WHOLE DIM (XX) ±
DATE	ONE-PLACE (X.X) ±
DATE	TWO-PLACE (X.XX) ±
DATE	ANGLE
DATE	THIRD ANGLE PROJECTION
LAYOUT NO.	TITLE: WIRING INSTL-EXTERIOR LAMPS
DIA #	SCALE: NONE
DO NOT SCALE DIMENSIONS	SHEET NO. 144709
ALL DIMENSIONS ARE IN MILLIMETERS	REF: 141399 A 08/11/03