



DANGER

Danger of electrical shock, burns or death. Always remove all power sources before attempting any repair, service or diagnostic work. Power can be present from shore power, generator, inverter or battery. All power sources must be disabled and secured before performing any service.

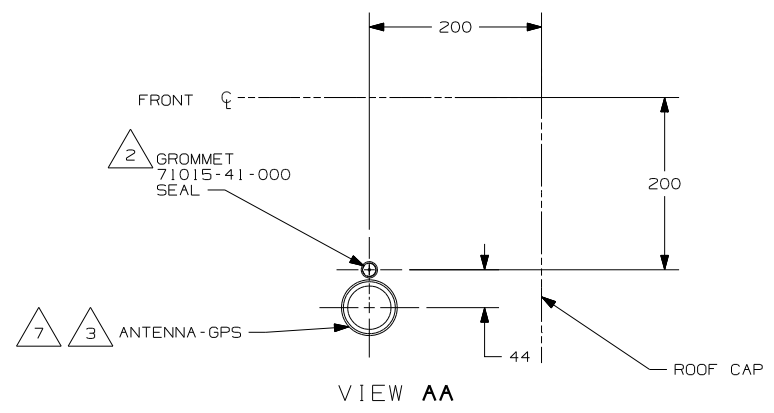


CAUTION

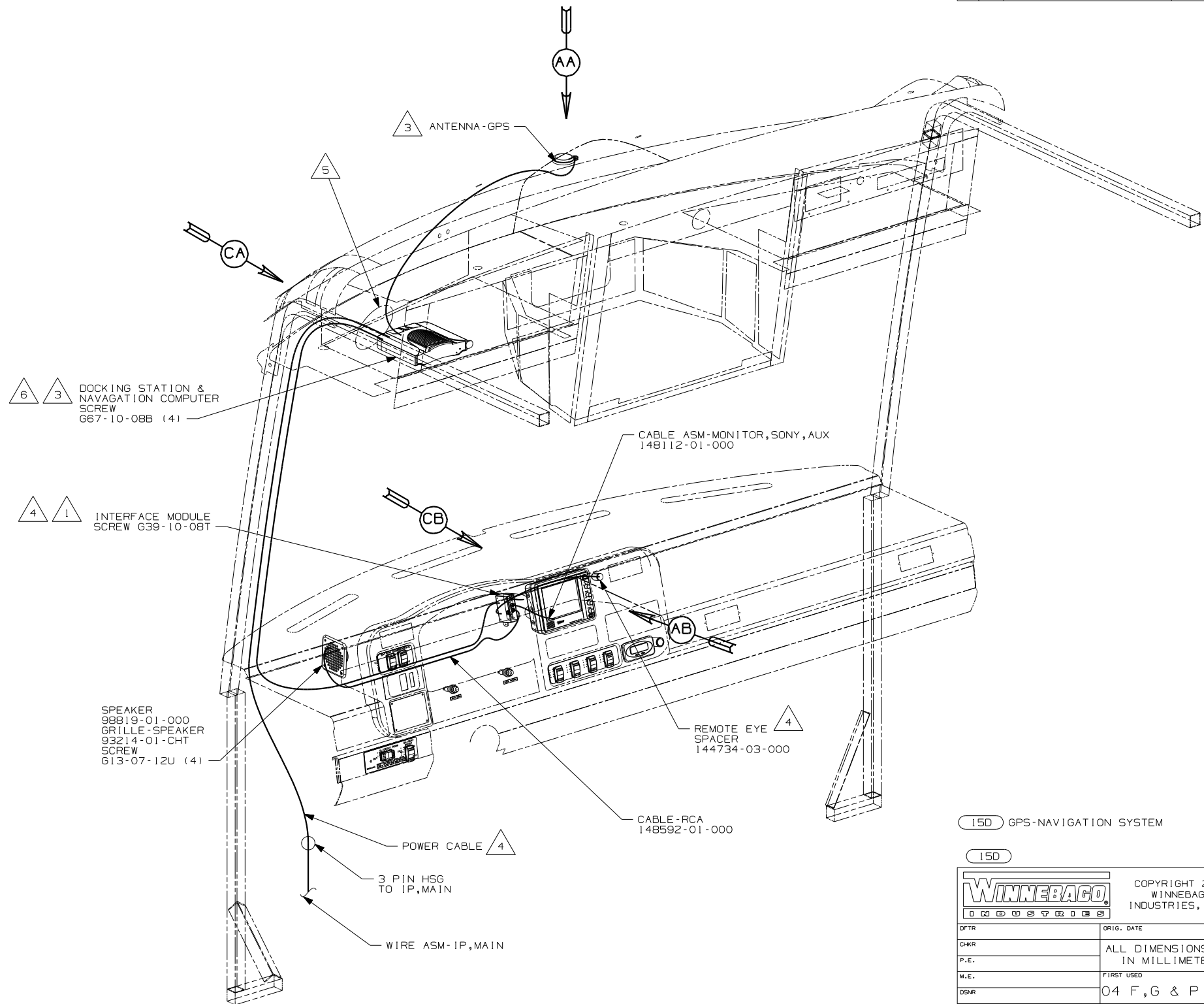
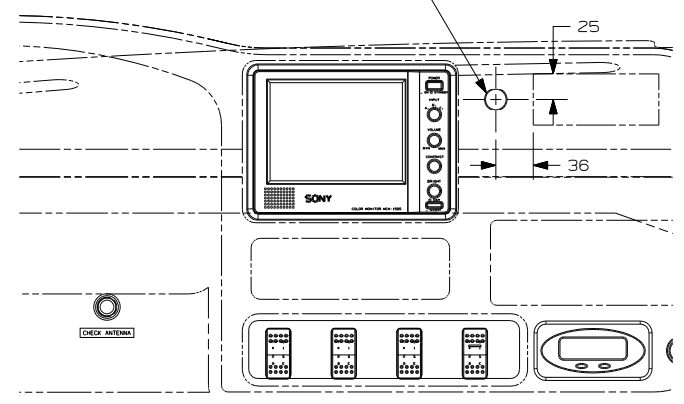
If you lack the skills, tools or equipment to perform diagnostic or repair work leave such work to an authorized Winnebago Industries dealer or other qualified shop.

DRAWING NO.	MODEL	SHEETS
148395-01	F-SERIES	1,3
148395-02	G-SERIES	1,3
148395-03	P-SERIES	2,3

RELEASE	REV DATE	OWG NO	148395
REV ZONE	REVISION RECORD	DATE	DFTR-ORIG



DRILL 17mm HOLE IN POD AT DIMENSION SHOWN TO MOUNT REMOTE EYE



- NOTES:
- 7 USE 076322-02-000 (100mm) TAPE-FOAM DBI COATED TO ATTACH ANTENNA-GPS TO ROOF.
 - 6 DOCKING STATION MUST FACE EXACTLY STRAIGHT AHEAD AND PARALLEL WITH CENTER LINE OF COACH TO FUNCTION PROPERLY.
 - 5 WIRES ROUTED THROUGH BACK OF OVERHEAD.
 - 4 COMPONENT INCLUDED IN P/N 148158-02-000.
 - 3 COMPONENT INCLUDED IN P/N 148158-01-000.
 - 2 DRILL 15 mm HOLE IN FIBERGLASS CAP, CUT GROMMET AND SLIDE ANTENNA WIRE INTO GROMMET & SEAL.
 - 1 MOUNT INTERFACE MODULE TO MONITOR SIDE OF STEEL BRACKET.

15D GPS-NAVIGATION SYSTEM

15D

WINNEBAGO COPYRIGHT 2004 WINNEBAGO INDUSTRIES, INC.

DFTR	ORIG. DATE
CHKR	ALL DIMENSIONS ARE IN MILLIMETERS
P.E.	FIRST USED
M.E.	04 F,G & P SER
DSNR	

UNSPECIFIED TOLERANCES ARE: MATERIAL:

WHOLE DIM (X) :
ONE-PLACE (X.X) :
TWO-PLACE (X.XX) :
ANGLE :

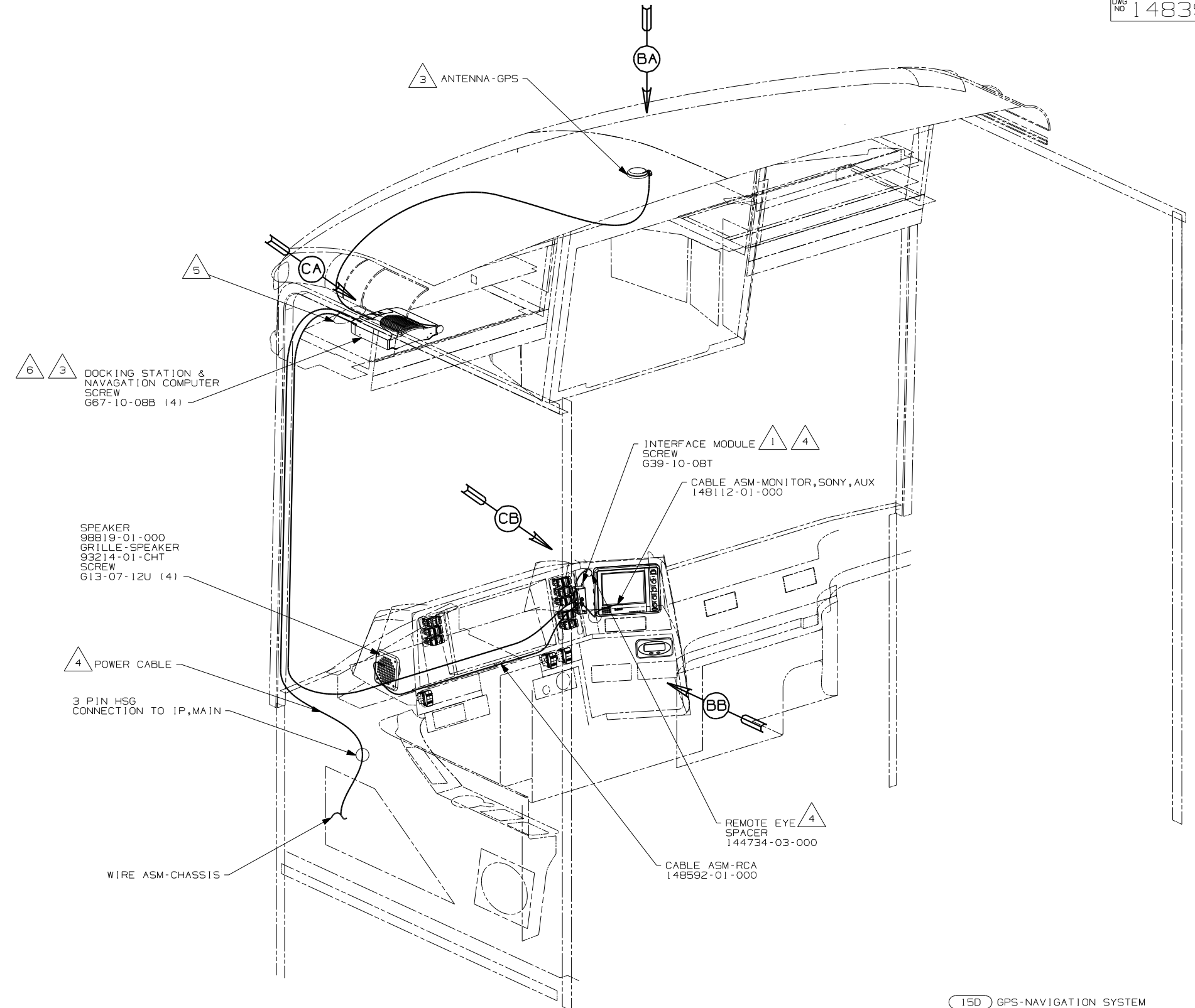
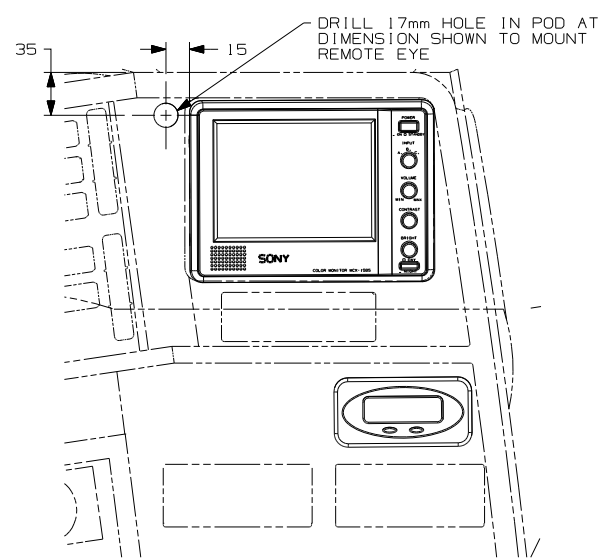
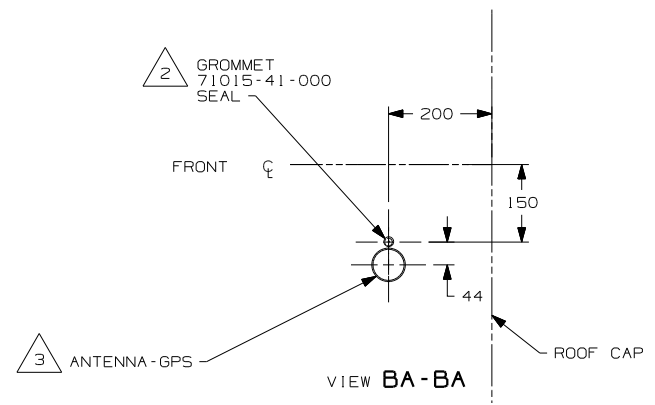
THIRD ANGLE PROJECTION

DO NOT SCALE DRAWING

TITLE: WIRING INSTL-GPS

SHEET 1 OF 3 PART NO 148395

REF: 1 09/14/2004

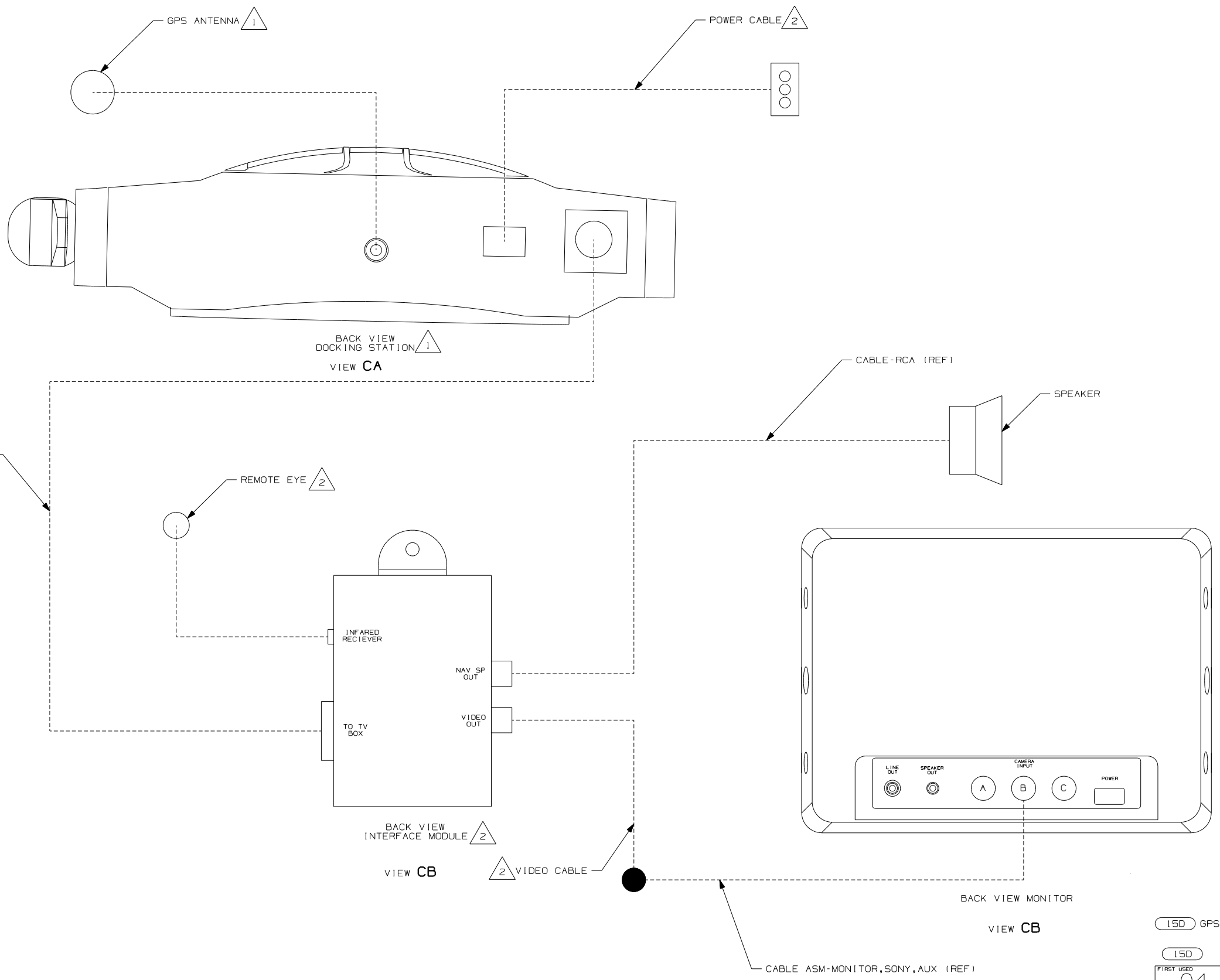


- NOTES:
- 6 DOCKING STATION MUST FACE EXACTLY STRAIGHT AHEAD AND PARALLEL WITH CENTER LINE OF COACH TO FUNCTION PROPERLY.
 - 5 WIRES ROUTED THROUGH BACK OF OVERHEAD.
 - 4 COMPONENT INCLUDED IN P/N 148158-02-000.
 - 3 COMPONENT INCLUDED IN P/N 148158-01-000.
 - 2 DRILL 15 mm HOLE IN FIBERGLASS CAP, CUT GROMMET AND SLIDE ANTENNA WIRE INTO GROMMET & SEAL.
 - 1 MOUNT INTERFACE MODULE TO MONITOR SIDE OF STEEL BRACKET.

15D GPS-NAVIGATION SYSTEM

15D

FIRST USED	04 P-SER
TITLE:	DO NOT SCALE DRAWING
	WIRING INSTL-GPS
SHEET 2	PART NO 148395



- △2 COMPONENT INCLUDED IN P/N 148158-02-000
- △1 COMPONENT INCLUDED IN P/N 148158-01-000

NOTES:

15D GPS-NAVIGATION SYSTEM	
15D	
FIRST USED 04 F, G & P SER	
DO NOT SCALE DRAWING	
TITLE: WIRING INSTL-GPS	
SHEET 3	PART NO 148395