



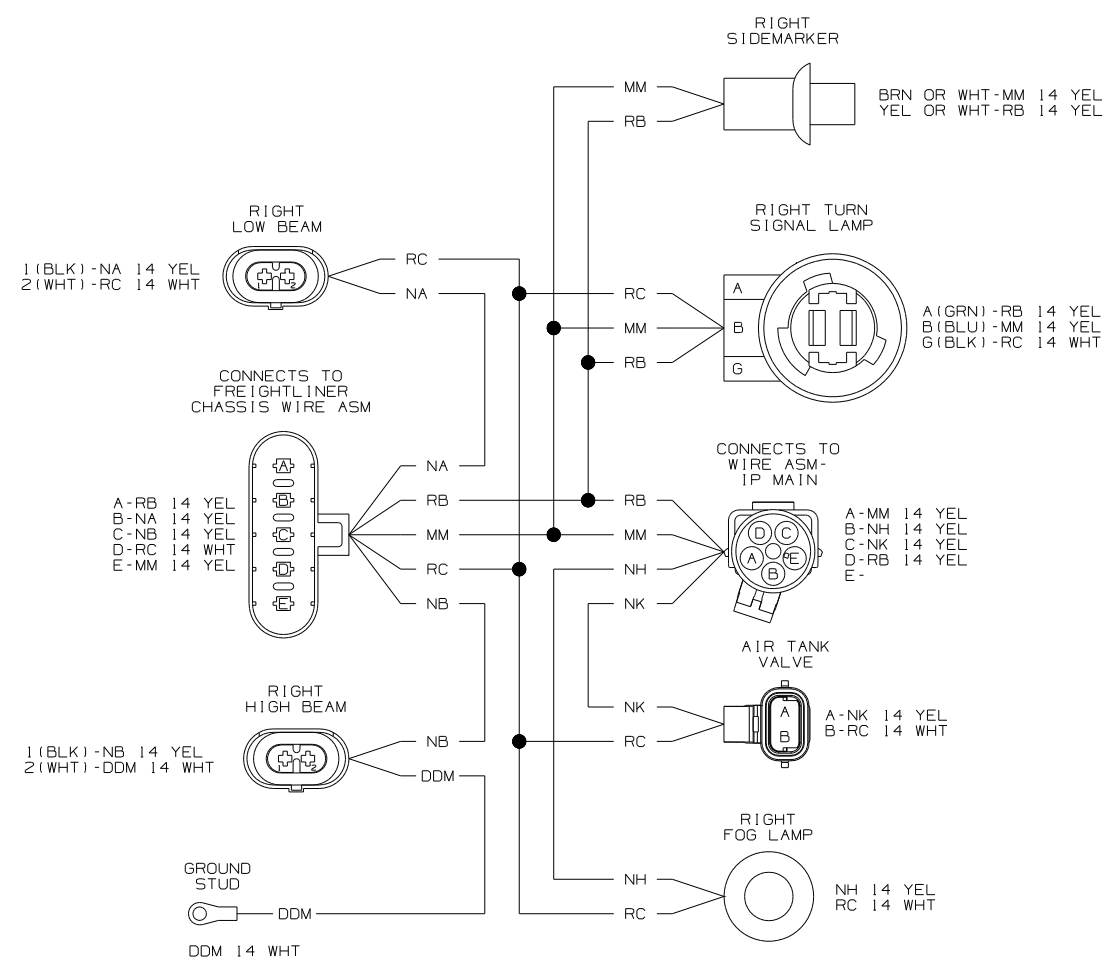
DANGER

Danger of electrical shock, burns or death. Always remove all power sources before attempting any repair, service or diagnostic work. Power can be present from shore power, generator, inverter or battery. All power sources must be disabled and secured before performing any service.

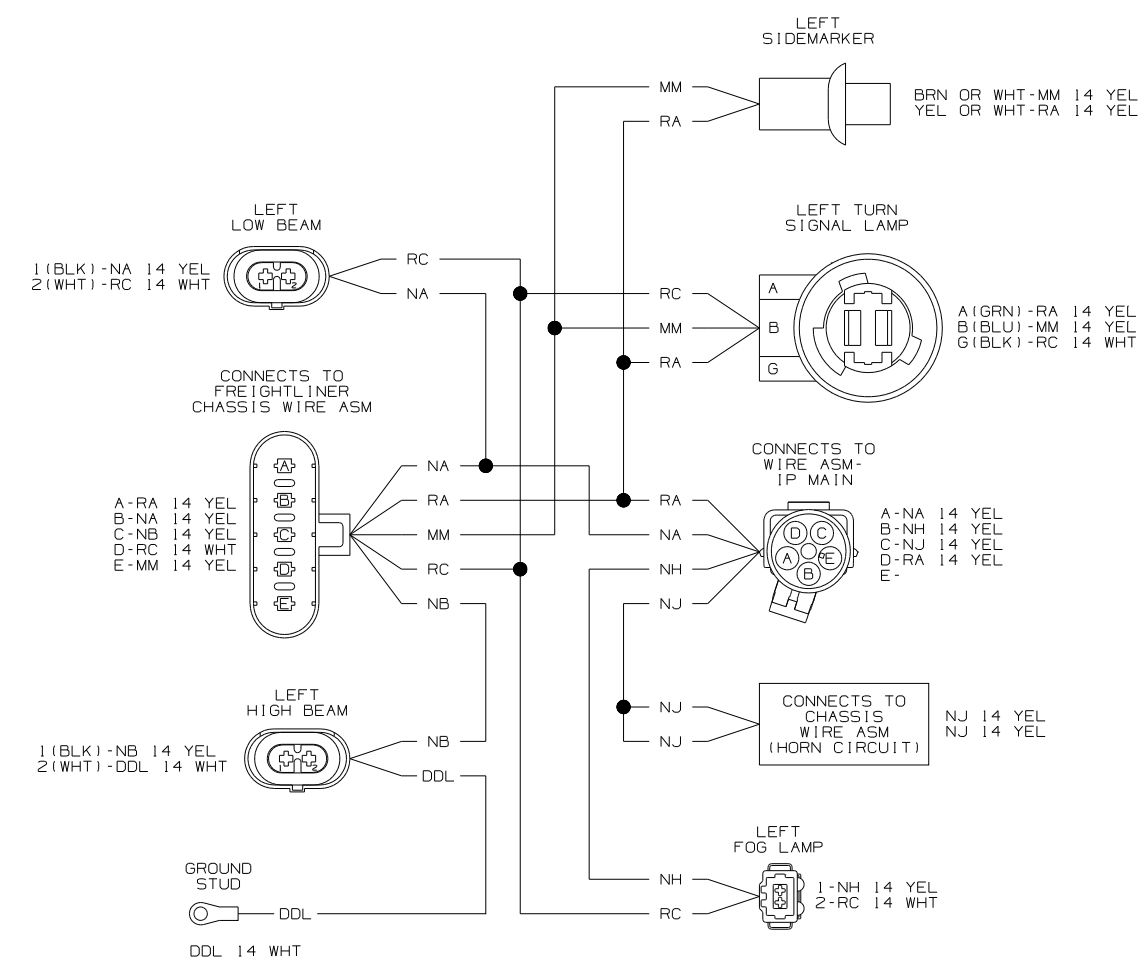


CAUTION

If you lack the skills, tools or equipment to perform diagnostic or repair work leave such work to an authorized Winnebago Industries dealer or other qualified shop.

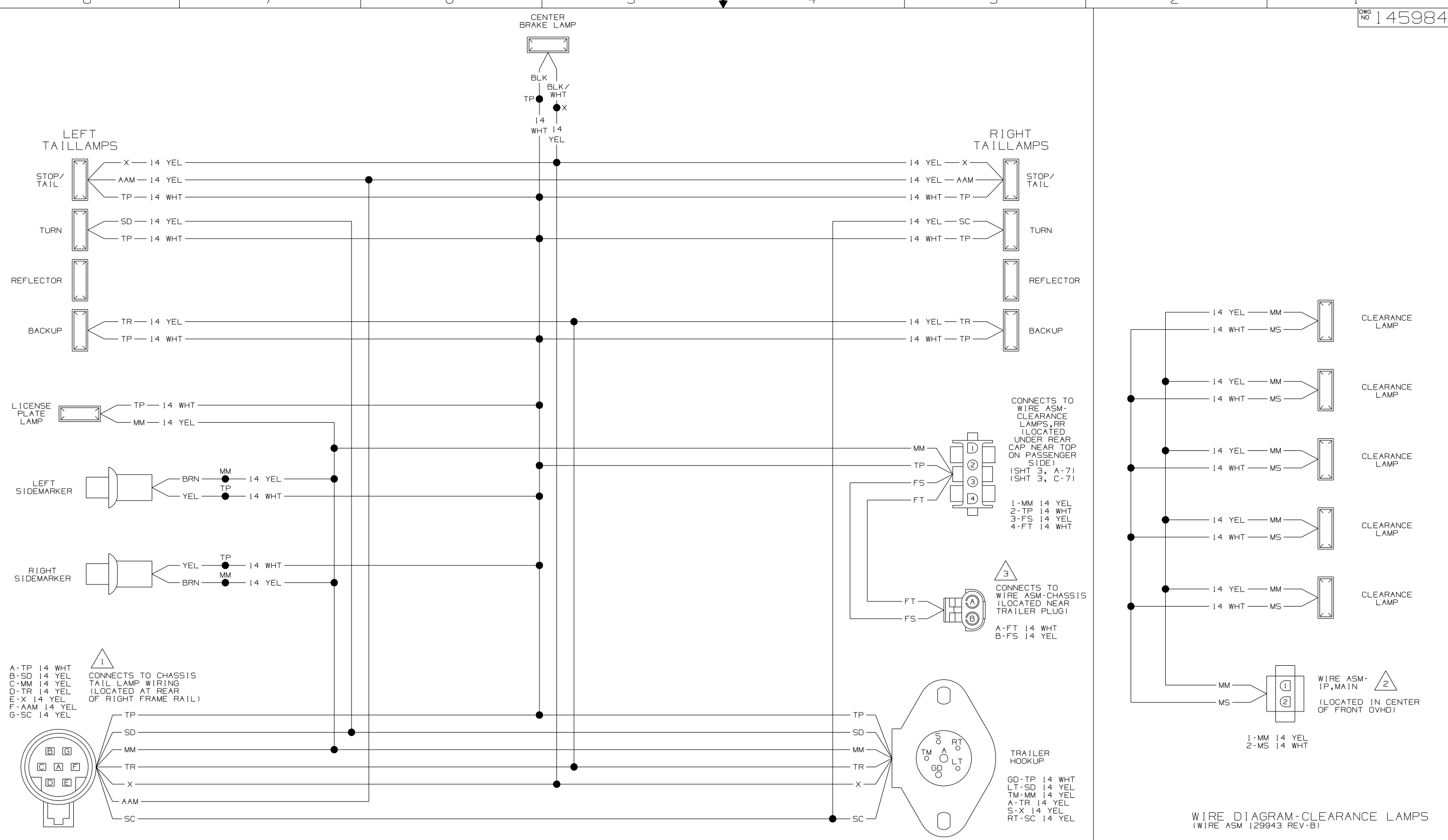


WIRING DIAGRAM-HEADLAMP,RIGHT
(WIRE ASM 146554-01-000 REV-C)



WIRING DIAGRAM-HEADLAMP,LEFT
(WIRE ASM 146554-02-000 REV-C)

WINNEBAGO		COPYRIGHT 2003 WINNEBAGO INDUSTRIES, INC.	
DFT-016	ORIG. DATE	ALL DIMENSIONS ARE IN MILLIMETERS	
CHKR		FIRST USED	
P.E.		04 Q-SER	
M.E.		UNSPECIFIED TOLERANCES ARE:	
DSNR		MATERIAL:	
		WHOLE DIM (X)	:
		ONE-PLACE (X.X)	:
		TWO-PLACE (X.XX)	:
		ANGLE	:
		THIRD ANGLE PROJECTION	⊕
DO NOT SCALE DRAWING			
TITLE: WIRING DIAGRAM-AUTO LAMPS			
SHEET 1 OF 3	PART NO	145984	
REF:144513 1 08/15/03			

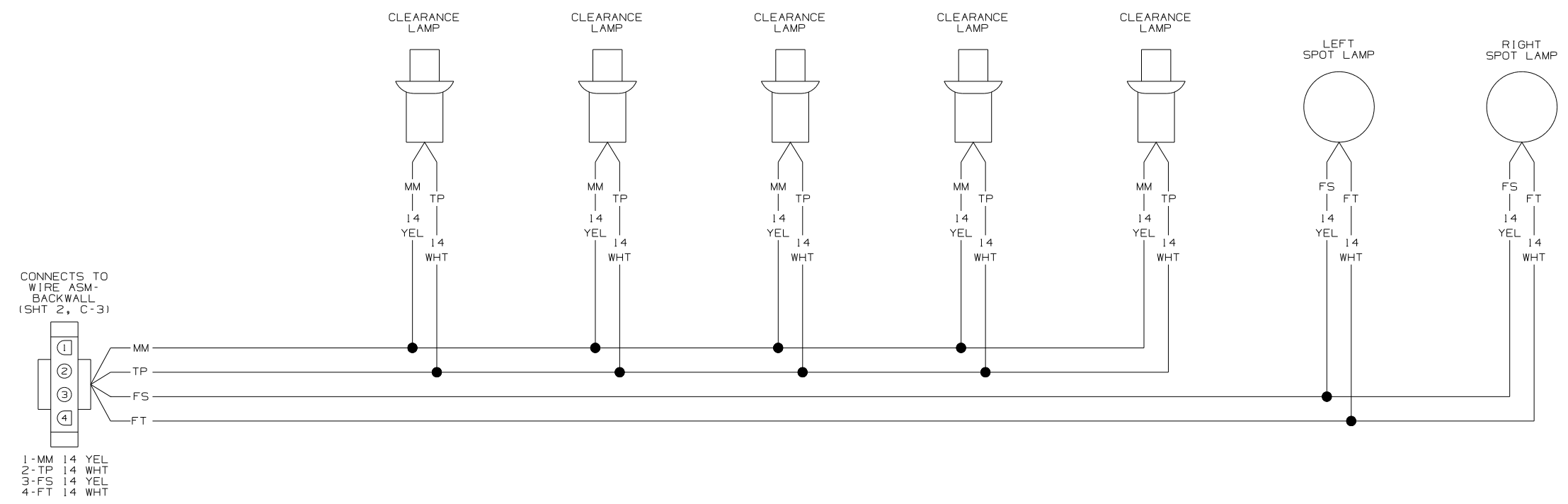


- NOTES:
- 3 SEE WIRING DIAGRAM-BODY FOR ADDITIONAL INFORMATION.
 - 2 SEE WIRING DIAGRAM-AUTO FOR ADDITIONAL INFORMATION.
 - 1 SEE MANUFACTURER'S DIAGRAM FOR ADDITIONAL INFORMATION.

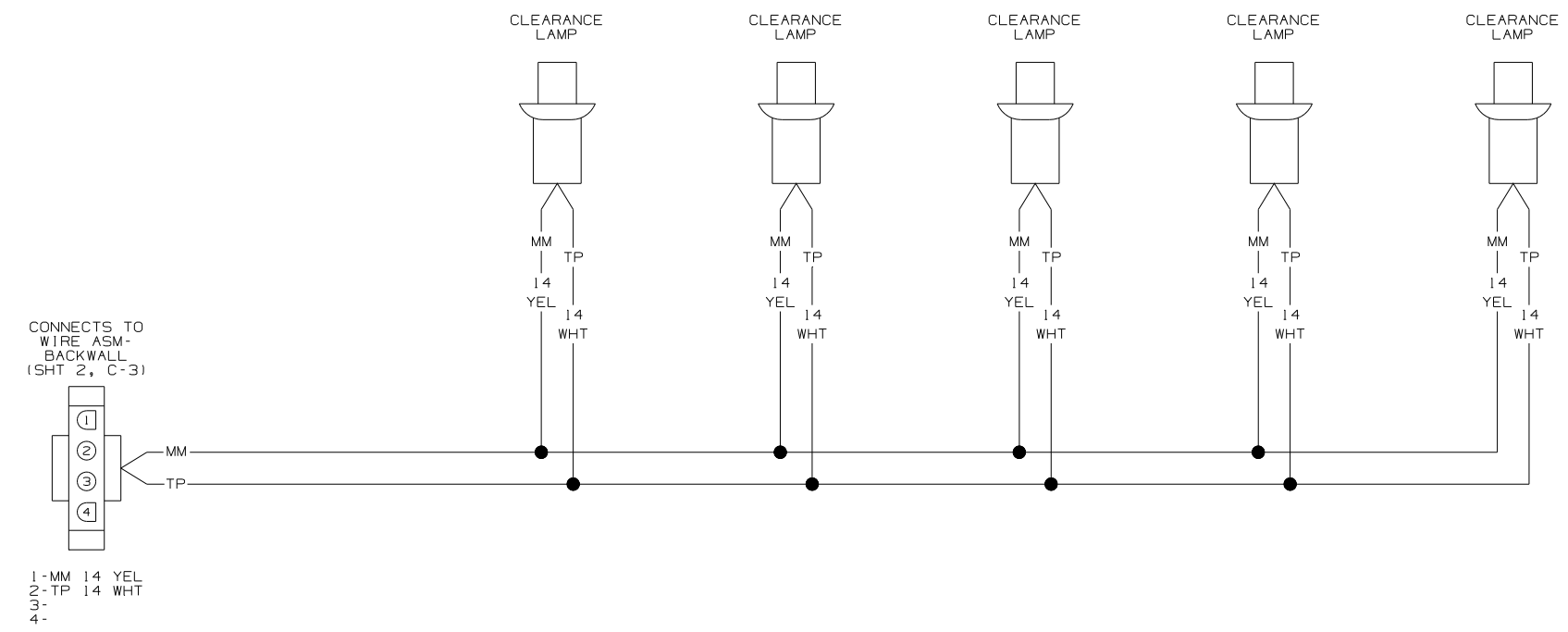
WIRING DIAGRAM-BACKWALL (WIRE ASM 129731-02 REV-G)

WIRE DIAGRAM-CLEARANCE LAMPS (WIRE ASM 129943 REV-B)

FIRST USED	04 Q-SER
TITLE	DO NOT SCALE DRAWING
TITLE	WIRING DIAGRAM-AUTO LAMPS
SHEET 2	PART NO 145984



WIRE DIAGRAM-CLEARANCE LAMPS,RR
(WIRE ASM 129365-01 REV-D)
(WITH ULT FREEDOM)



WIRE DIAGRAM-CLEARANCE LAMPS,RR
(WIRE ASM 129365-02 REV-D)
(WITH ULT ADVANTAGE)

FIRST USED	04 Q-SER
TITLE	DO NOT SCALE DRAWING
TITLE	WIRING DIAGRAM-AUTO LAMPS
SHEET 3	PART NO 145984