



DANGER

Danger of electrical shock, burns or death. Always remove all power sources before attempting any repair, service or diagnostic work. Power can be present from shore power, generator, inverter or battery. All power sources must be disabled and secured before performing any service.

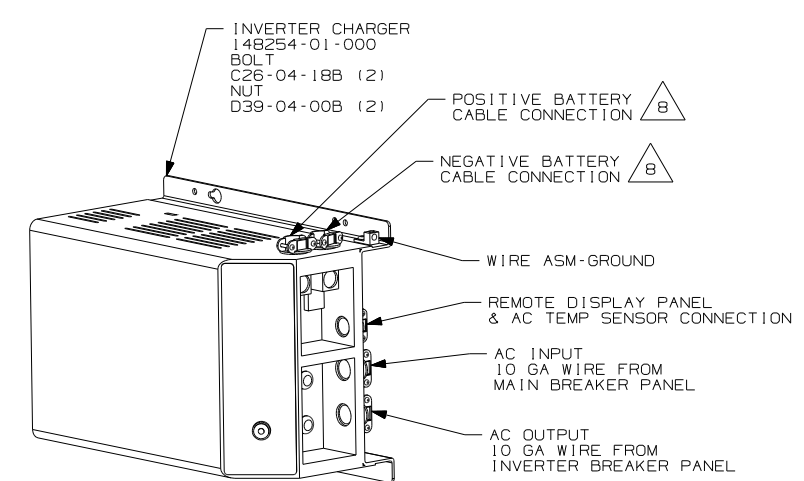
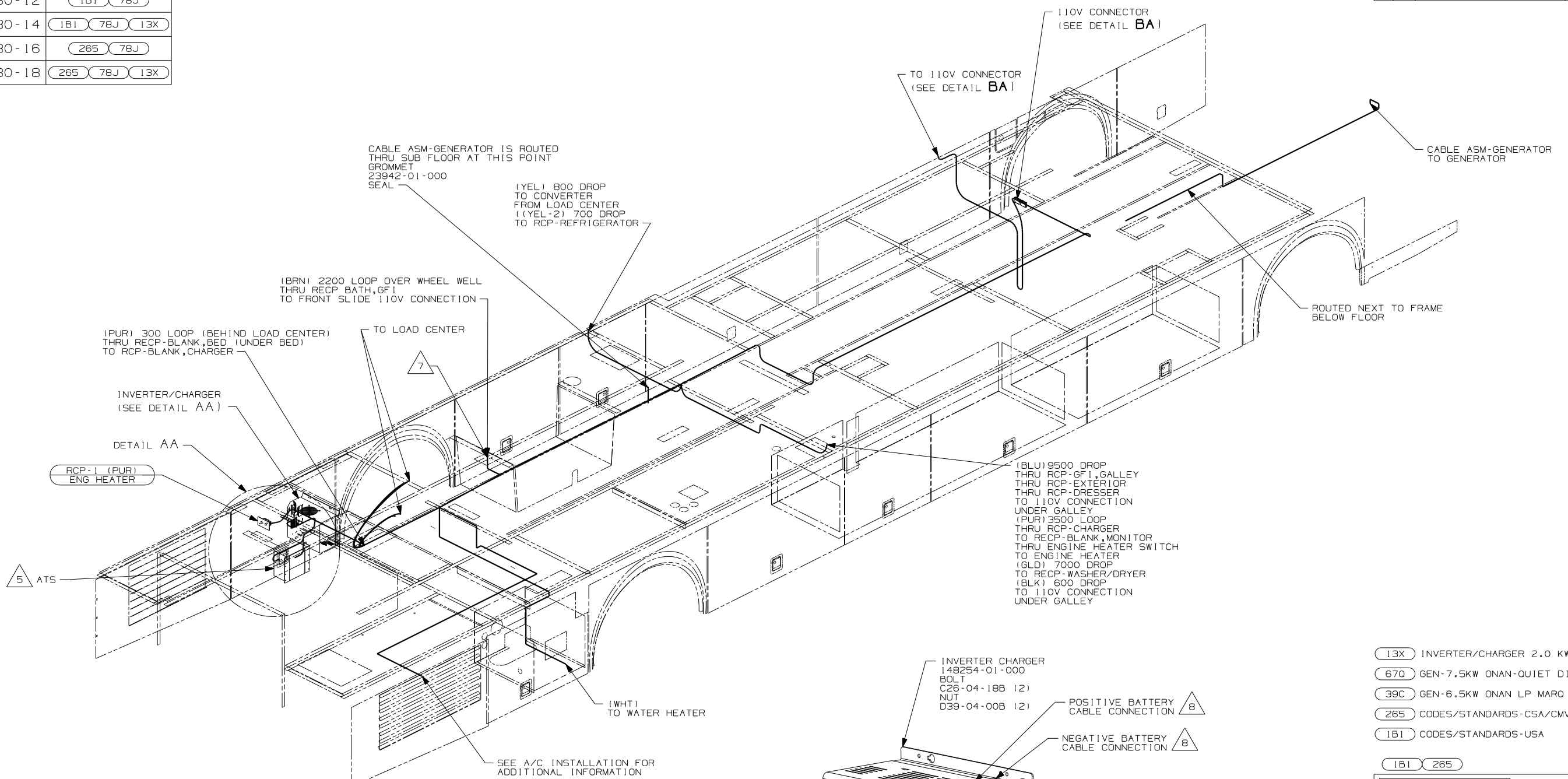


CAUTION

If you lack the skills, tools or equipment to perform diagnostic or repair work leave such work to an authorized Winnebago Industries dealer or other qualified shop.

DRAWING NO.	FEATURE
147380-12	(1B1) (78J)
147380-14	(1B1) (78J) (13X)
147380-16	(265) (78J)
147380-18	(265) (78J) (13X)

RELEASE	REV DATE	DWG NO
A		147380
REV ZONE	REVISION RECORD	DATE
		DFTR-0016



- (13X) INVERTER/CHARGER 2.0 KW
- (670) GEN-7.5KW ONAN-QUIET DIESEL
- (39C) GEN-6.5KW ONAN LP MARO GOLD
- (265) CODES/STANDARDS-CSA/CMVSS
- (1B1) CODES/STANDARDS-USA

- △ 8 SEE WIRING INSTL-CHASSIS FOR ADDITIONAL INFORMATION.
 - △ 7 ROUTE WIRES WITH WATER LINES THRU FLOOR.
 - △ 6 FOR MORE INFORMATION SEE GENERATOR INSTALLATION.
 - △ 5 FOR MORE INFORMATION SEE LOAD CENTER/ATS ASM.
4. FOR MORE INFORMATION SEE WIRING DIAGRAM-BODY, 110V.
 3. ALL GROUND WIRE TO BE COVERED WITH TUBING 8041-02-000.
 2. ALL 110V WIRE TO BE CLAMPED WITH CLAMP 10497-05-000 WITHIN 200MM OF OUTLET BOXES, USE SCREW G67-10-12B.
 1. ALL WIRES TO BE SECURED WITH CLAMP 10495-01-000 OR CLIP B0734-01-000 EVERY 600MM. USE SCREW G67-10-12B UNLESS OTHERWISE SPECIFIED.

WINNEBAGO COPYRIGHT 2003 WINNEBAGO INDUSTRIES, INC.

DFTR	ORIG. DATE
CHKR	ALL DIMENSIONS ARE IN MILLIMETERS
P.E.	
M.E.	FIRST USED
DSNR	04 P39K

UNSPECIFIED TOLERANCES ARE: MATERIAL:

WHOLE DIM (X) :
ONE-PLACE (X.X) :
TWO-PLACE (X.XX) :
ANGLE :

THIRD ANGLE PROJECTION

DO NOT SCALE DRAWING

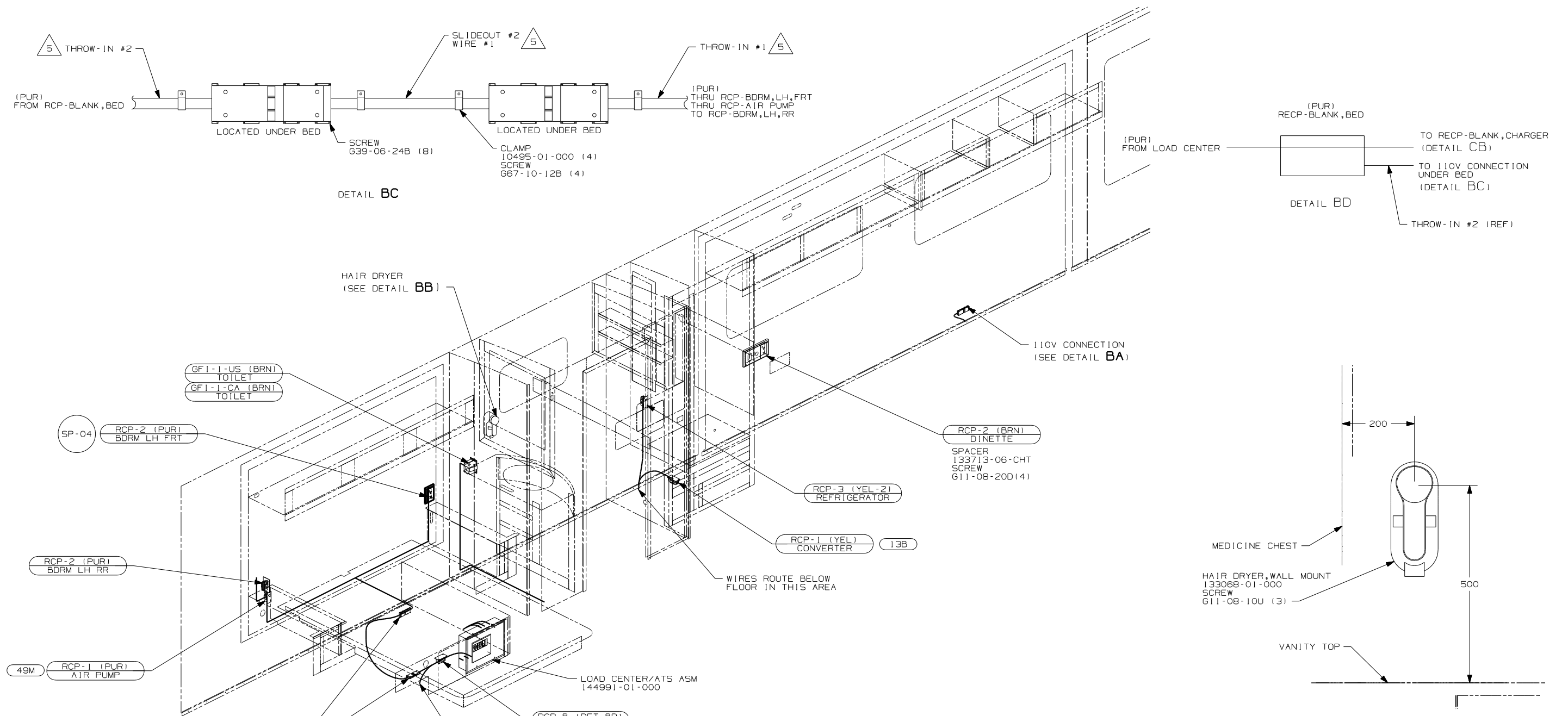
TITLE: **WIRING INSTL-BODY 110V**

SHEET 1 of 3 PART NO **147380**

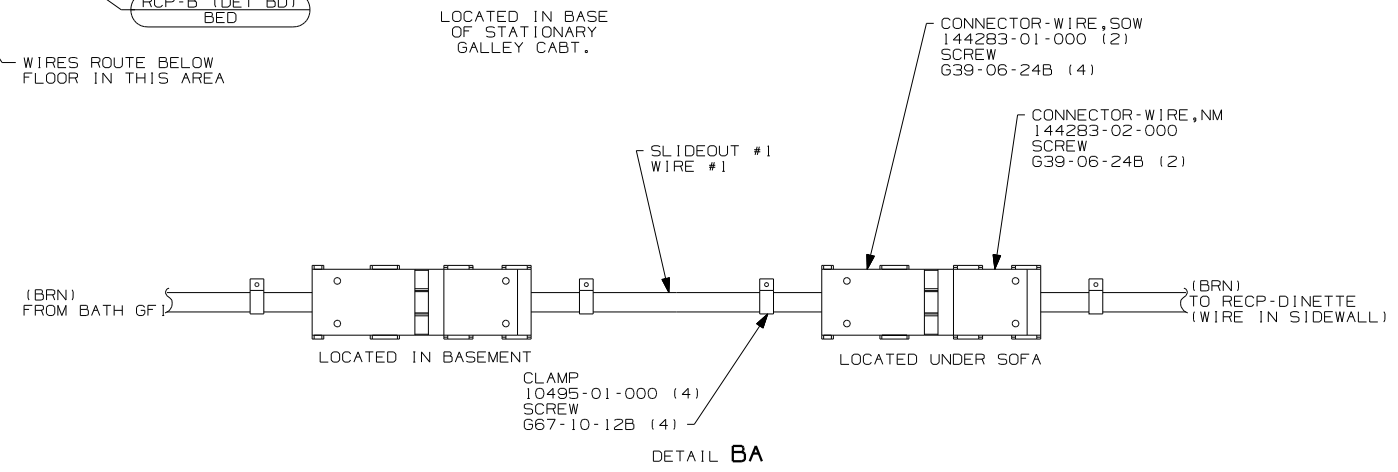
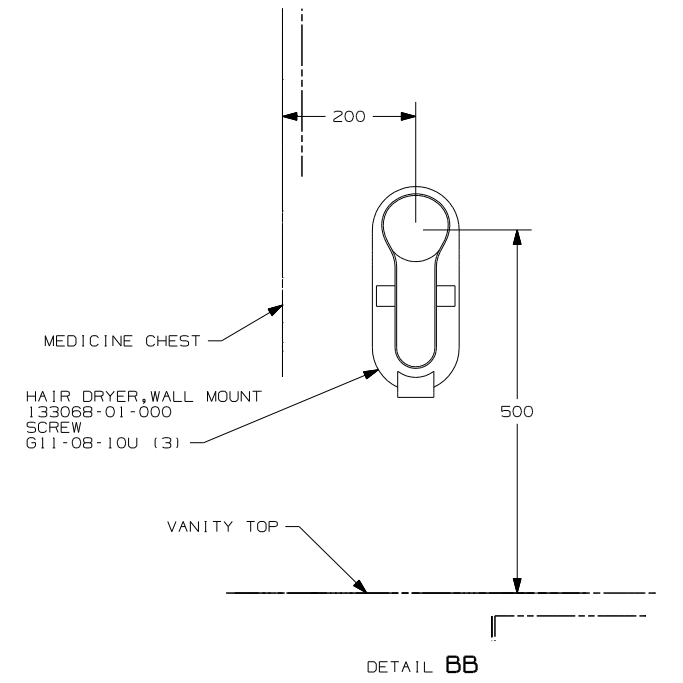
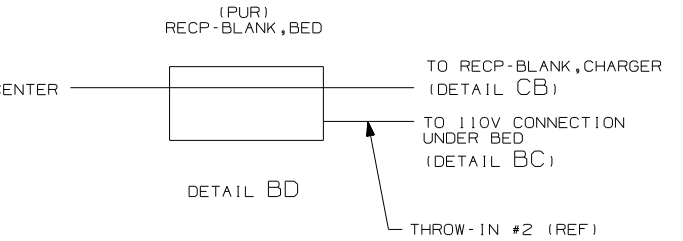
REF: 145320 | 09/09/03

FOR ELECTRICAL TORQUE SPECIFICATIONS SEE DWG NO. 128783-01-000

(X-X) FOR ELECTRICAL CALLOUTS SEE DWG NO. 121339-01-000

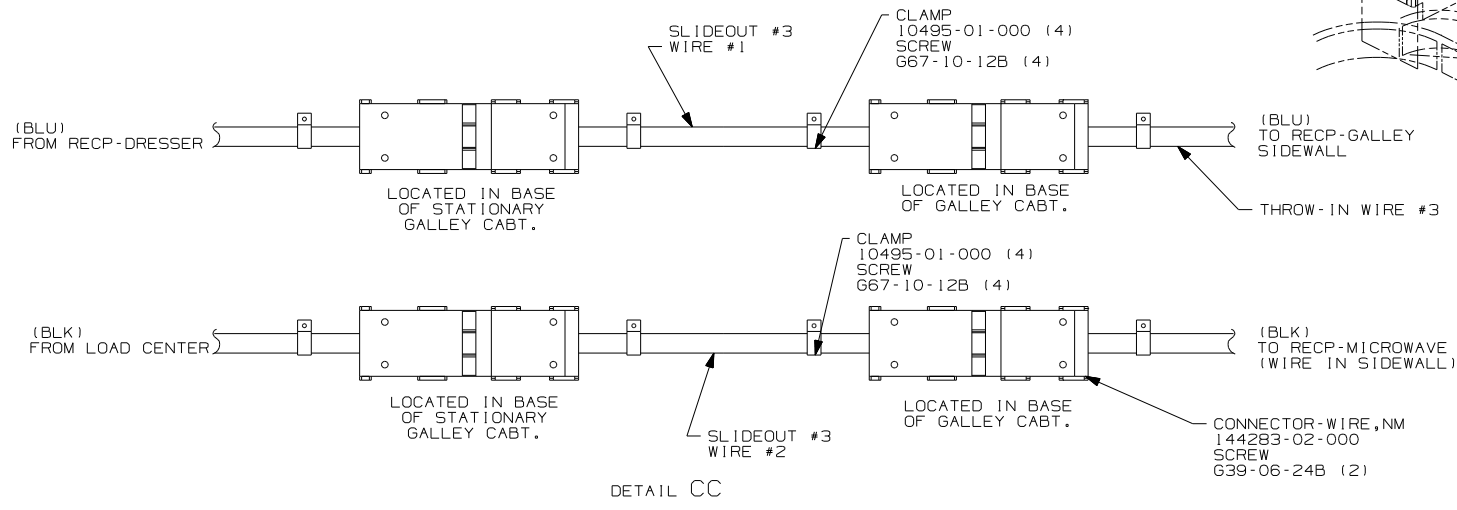
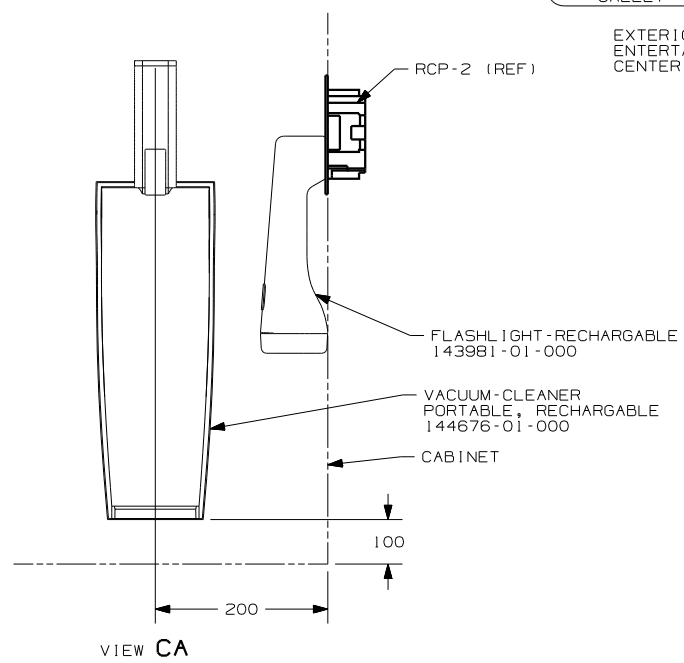
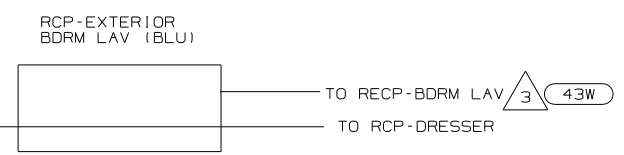
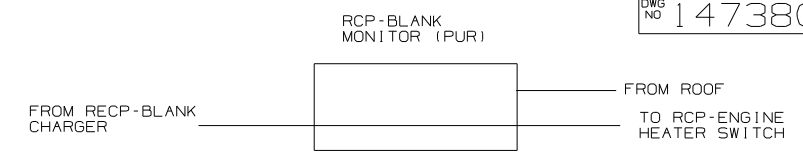
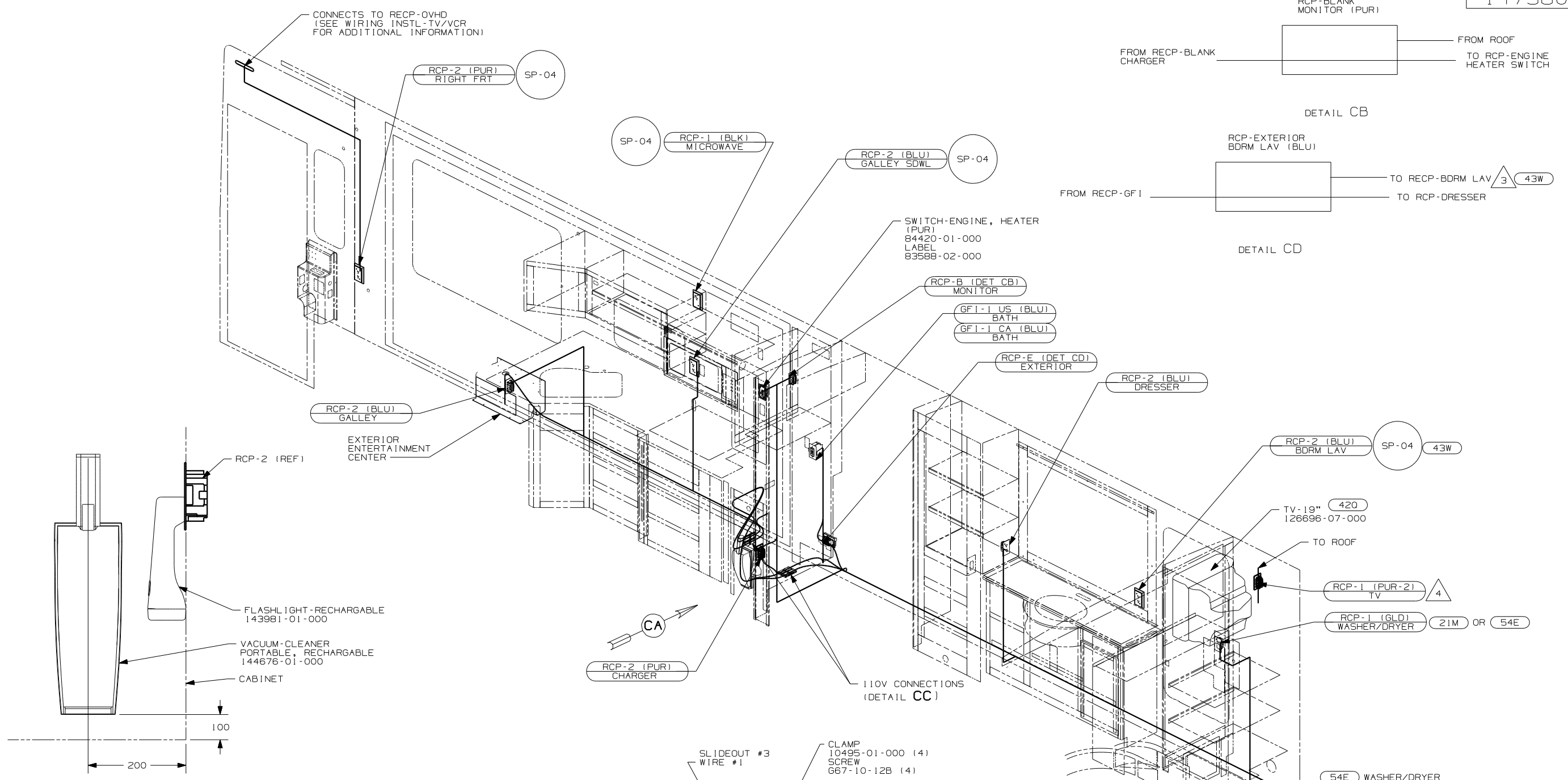


- NOTES:
1. ALL WIRES TO BE SECURED WITH CLAMP 10495-01-000 OR CLIP 80734-01-000 EVERY 600MM. USE SCREW G67-10-12B UNLESS OTHERWISE SPECIFIED.
 2. ALL 110V WIRE TO BE CLAMPED WITH CLAMP 10497-05-000 WITHIN 200MM OF OUTLET BOXES, USE SCREW G67-10-12B.
 3. ALL GROUND WIRE TO BE COVERED WITH TUBING 8041-02-000.
 4. FOR MORE INFORMATION SEE WIRING DIAGRAM-BODY,110V.
 5. FOR MORE INFORMATION SEE LOAD CENTER/ATS ASM.



- (13B) INVERTER/CHARGER-DC/AC W/O
- (21M) WASHER/DRYER PREP
- (54E) WASHER/DRYER
- (49M) SLEEP NUMBER BED-QUEEN SIZE
- (265) CODES/STANDARDS-CSA/CMVSS
- (1B1) CODES/STANDARDS USA

FIRST USED	
04 P39K	
DO NOT SCALE DRAWING	
TITLE: WIRING INSTL-BODY 110V	
SHEET 2	PART NO 147380



- (54E) WASHER/DRYER
- (51B) HAIR DRYER
- (43W) CABINET-LAVATORY
- (420) TV-19" WITH REMOTE
- (21M) WASHER/DRYER PREP
- (265) CODES/STANDARDS-CSA/CMVSS
- (1B1) CODES/STANDARDS-USA

FOR ELECTRICAL TORQUE SPECIFICATIONS SEE DWG NO. 128783-01-000

FOR ELECTRICAL CALLOUTS SEE DWG NO. 121339-01-000

- NOTES:
- 5 ROUTE WIRE IN SIDEWALL DURING INSATALLATION.
 - 4 WIRE FROM ROOF ASM.
 - 3 WIRE TO BE ROUTED IN SIDEWALL.
 - 2 ALL 110V WIRES TO BE CLAMPED WITH CLAMP 10497-05-000 WITHIN 200MM OF OUTLET BOXES, USE SCREW 667-10-12B.
 - 1 ALL WIRES TO BE SECURED WITH CLAMP 10495-01-000 OR CLIP 80734-01-000 EVERY 600MM. USE SCREW 667-10-12B UNLESS OTHERWISE SPECIFIED.

FIRST USED	
04 P39K	
DO NOT SCALE DRAWING	
TITLE: WIRING INSTL-BODY 110V	
SHEET 3	PART NO 147380