



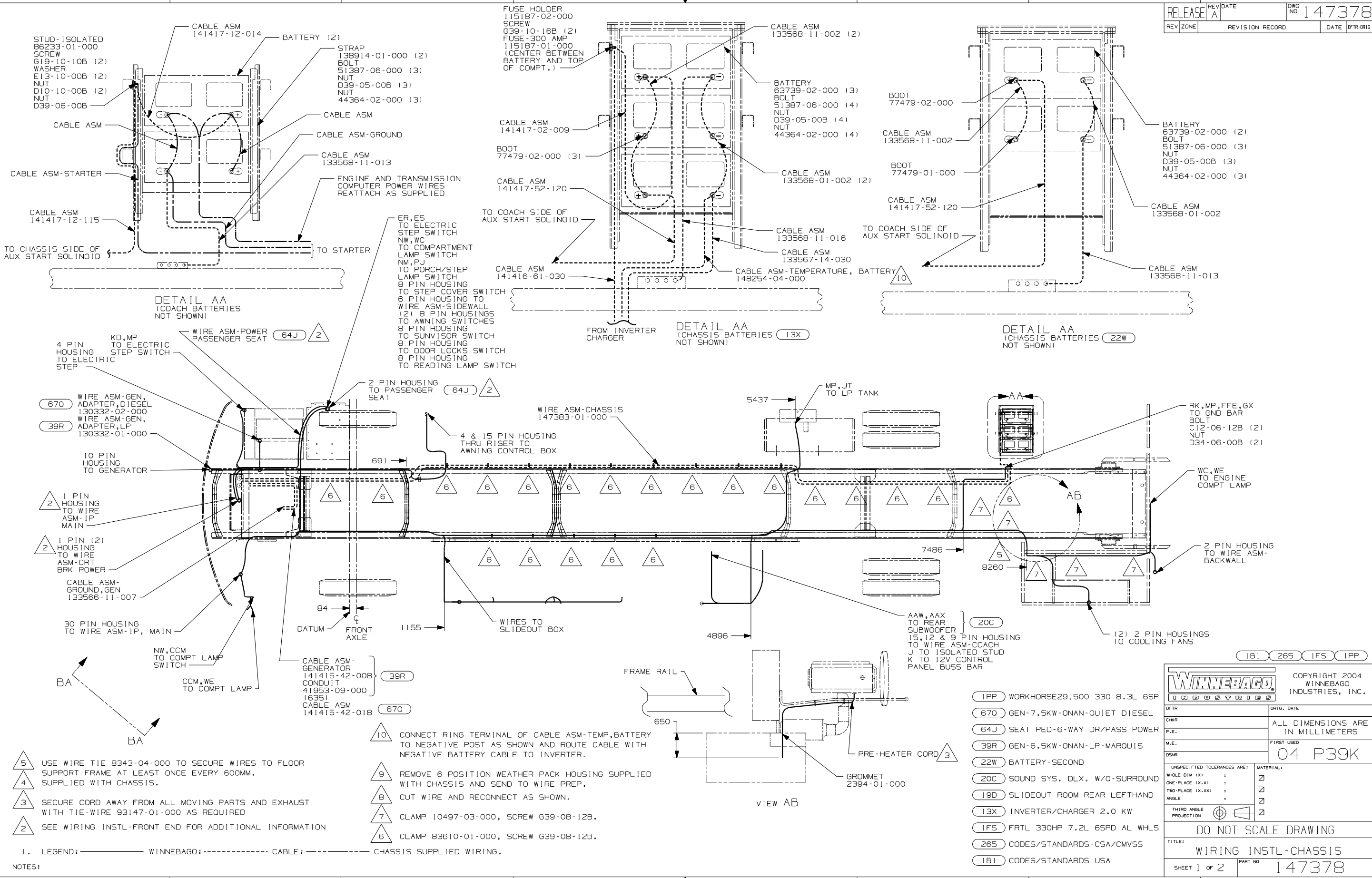
**DANGER**

**Danger of electrical shock, burns or death.** Always remove all power sources before attempting any repair, service or diagnostic work. Power can be present from shore power, generator, inverter or battery. All power sources must be disabled and secured before performing any service.



**CAUTION**

If you lack the skills, tools or equipment to perform diagnostic or repair work leave such work to an authorized Winnebago Industries dealer or other qualified shop.



- 5 USE WIRE TIE 8343-04-000 TO SECURE WIRES TO FLOOR SUPPORT FRAME AT LEAST ONCE EVERY 600MM.
- 4 SUPPLIED WITH CHASSIS.
- 3 SECURE CORD AWAY FROM ALL MOVING PARTS AND EXHAUST WITH TIE-WIRE 93147-01-000 AS REQUIRED
- 2 SEE WIRING INSTL-FRONT END FOR ADDITIONAL INFORMATION

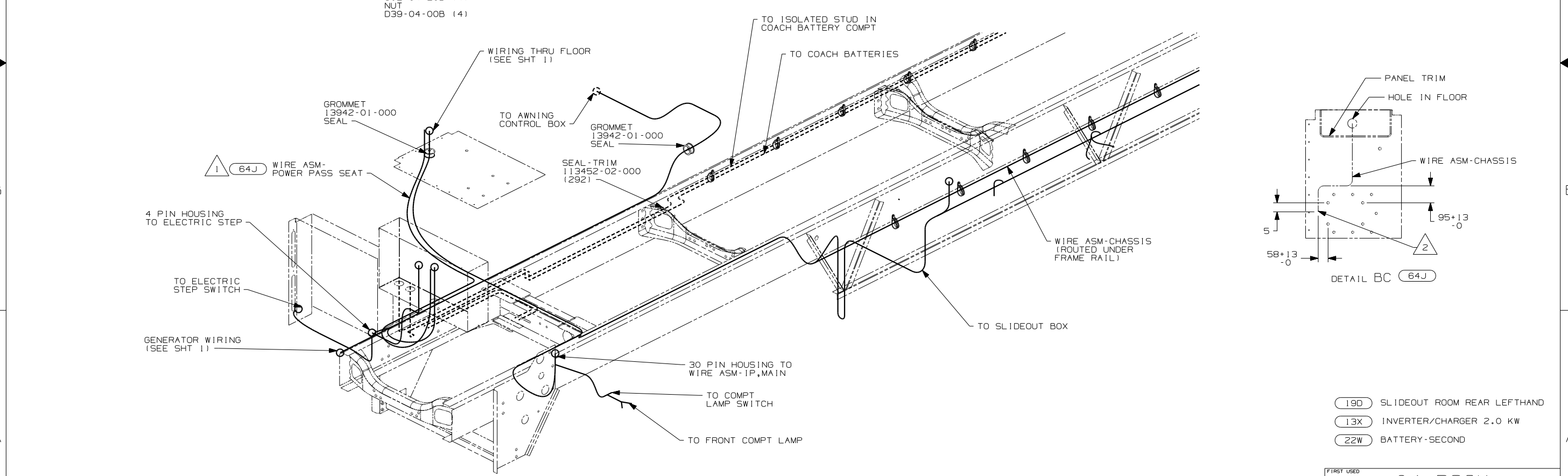
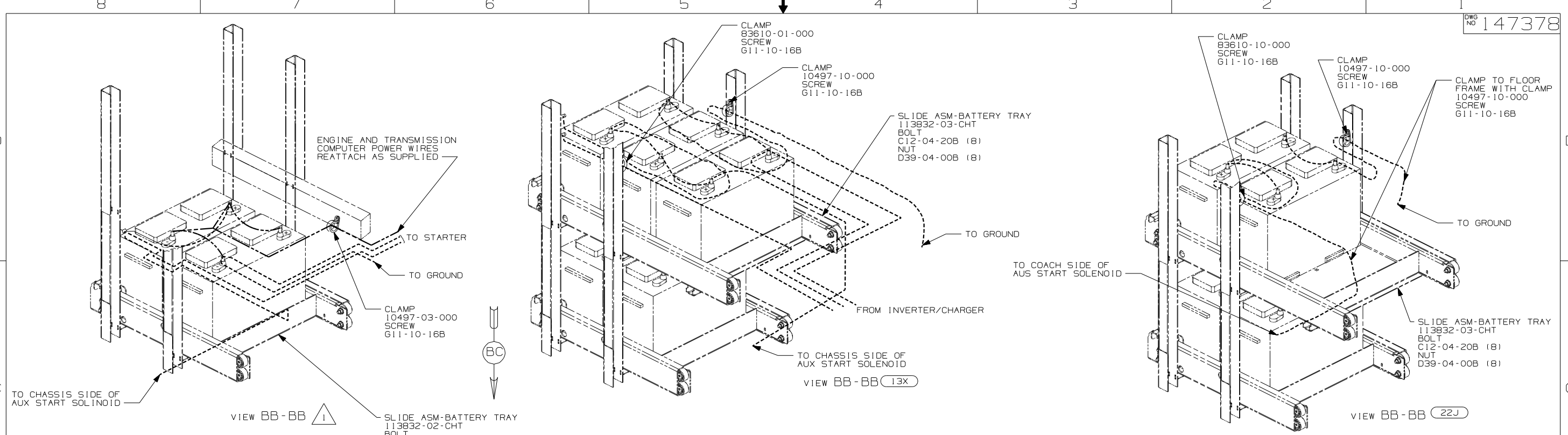
- 10 CONNECT RING TERMINAL OF CABLE ASM-TEMP,BATTERY TO NEGATIVE POST AS SHOWN AND ROUTE CABLE WITH NEGATIVE BATTERY CABLE TO INVERTER.
- 9 REMOVE 6 POSITION WEATHER PACK HOUSING SUPPLIED WITH CHASSIS AND SEND TO WIRE PREP.
- 8 CUT WIRE AND RECONNECT AS SHOWN.
- 7 CLAMP 10497-03-000, SCREW G39-08-12B.
- 6 CLAMP 83610-01-000, SCREW G39-08-12B.

1. LEGEND: — WINNEBAGO: - - - - - CABLE: - - - - - CHASSIS SUPPLIED WIRING.

NOTES:

- 1PP WORKHORSE29,500 330 8.3L 6SP
- 670 GEN-7.5KW-ONAN-QUIET DIESEL
- 64J SEAT PED-6-WAY DR/PASS POWER
- 39R GEN-6.5KW-ONAN-LP-MARQUIS
- 22W BATTERY-SECOND
- 20C SOUND SYS. DLX. W/O-SURROUND
- 19D SLIDEOUT ROOM REAR LEFTHAND
- 13X INVERTER/CHARGER 2.0 KW
- 1FS FRTL 330HP 7.2L 6SPD AL WHLS
- 265 CODES/STANDARDS-CSA/CMVSS
- 1B1 CODES/STANDARDS USA

<b>WINNEBAGO</b>		COPYRIGHT 2004 WINNEBAGO INDUSTRIES, INC.	
DTR	ORIG. DATE	ALL DIMENSIONS ARE IN MILLIMETERS	
CHKR		04 P39K	
P.E.			
M.E.	FIRST USED		
DSNR			
UNSPECIFIED TOLERANCES ARE:		MATERIAL:	
WHOLE DIM (X)	:		<input checked="" type="checkbox"/>
ONE-PLACE (X.X)	:		<input checked="" type="checkbox"/>
TWO-PLACE (X.XX)	:		<input checked="" type="checkbox"/>
ANGLE	:		<input checked="" type="checkbox"/>
THIRD ANGLE PROJECTION			<input checked="" type="checkbox"/>
<b>DO NOT SCALE DRAWING</b>			
TITLE:		WIRING INSTL-CHASSIS	
SHEET 1 OF 2	PART NO	147378	
REF:145318 1/17/2004			



NOTES:  
 2 LEAVE 675±50MM OF WIRE AT END POINT OF PATH  
 1 SEE WIRING INSTL-FRONT END FOR ADDITIONAL INFORMATION.

FOR ELECTRICAL TORQUE SPECIFICATIONS SEE DWG NO. 128783-01-000

FOR ELECTRICAL CALLOUTS SEE DWG NO. 121339-01-000

- 19D SLIDEOUT ROOM REAR LEFTHAND
- 13X INVERTER/CHARGER 2.0 KW
- 22W BATTERY-SECOND

FIRST USED	
04 P39K	
DO NOT SCALE DRAWING	
TITLE: WIRING INSTL-CHASSIS	
SHEET 2	PART NO 147378