



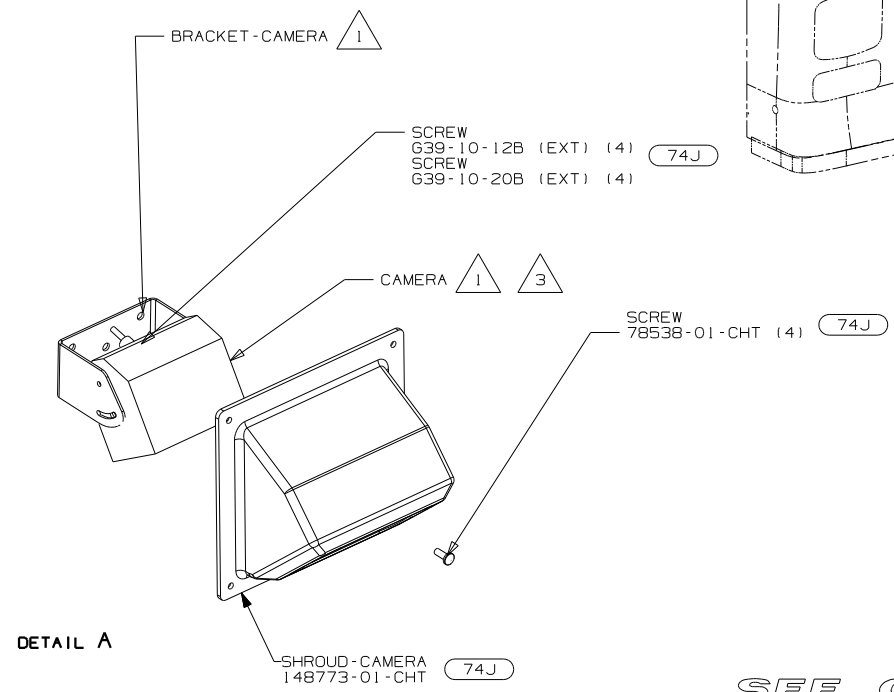
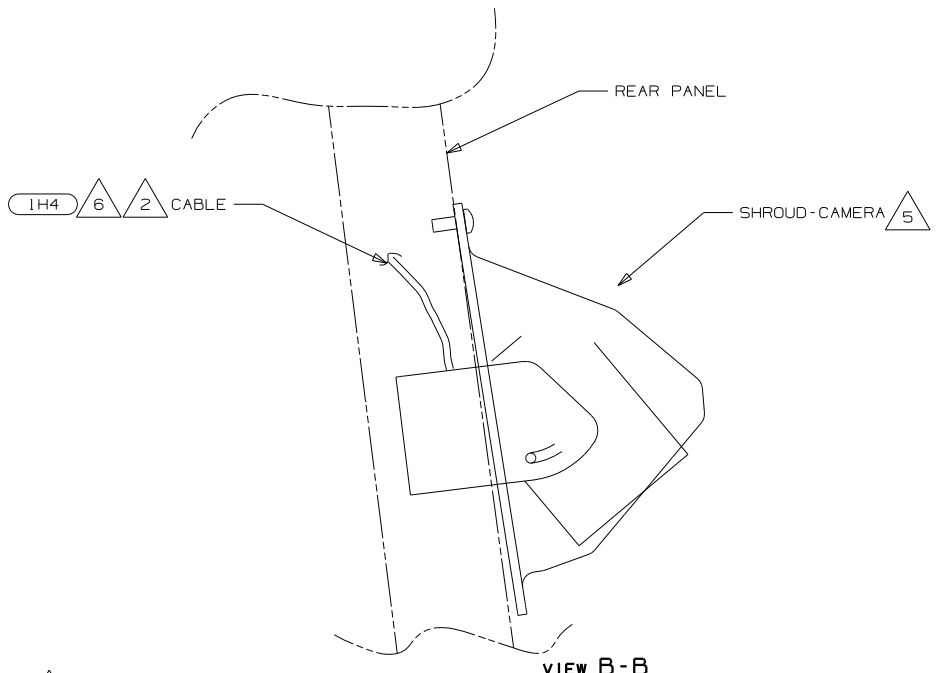
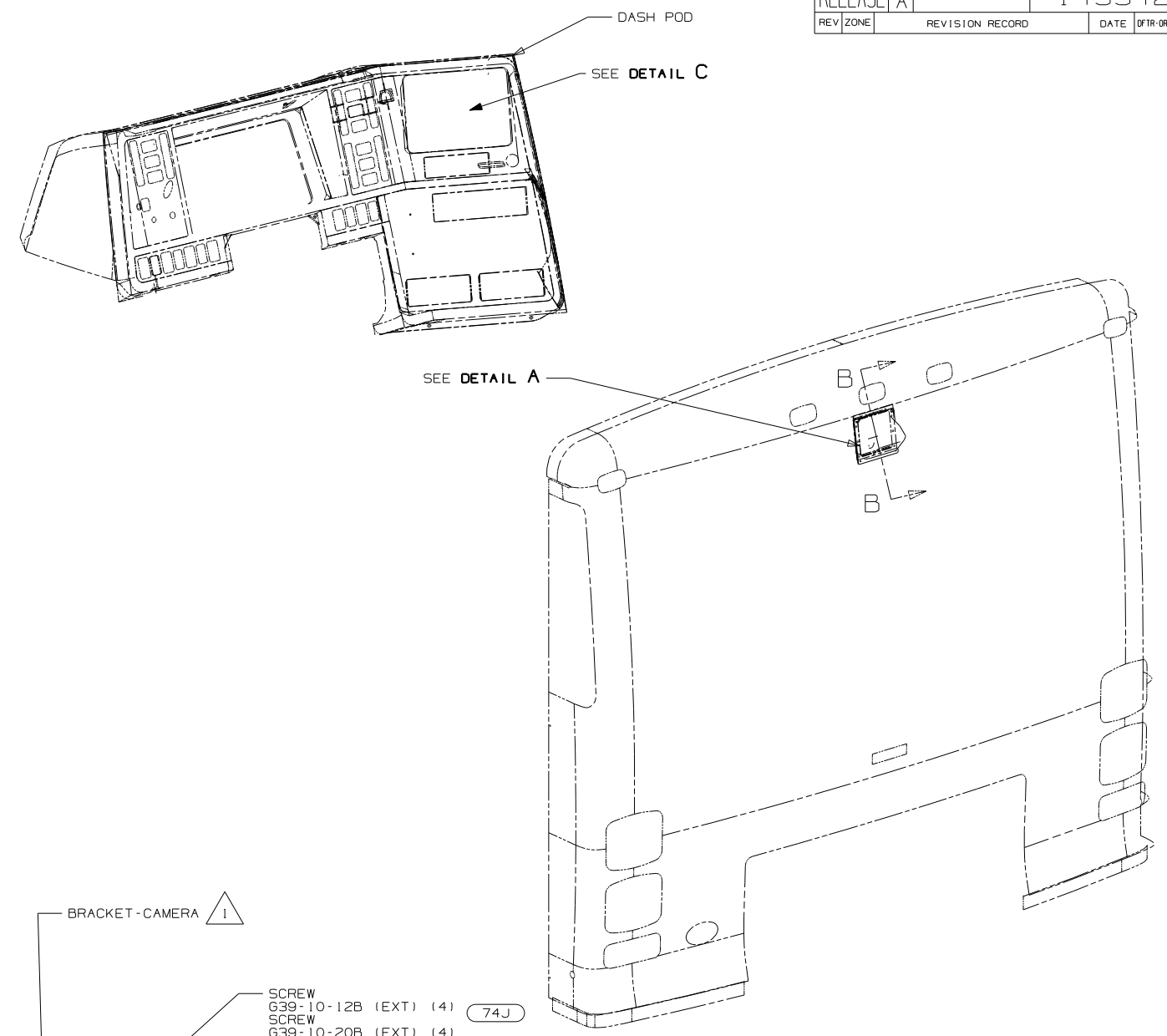
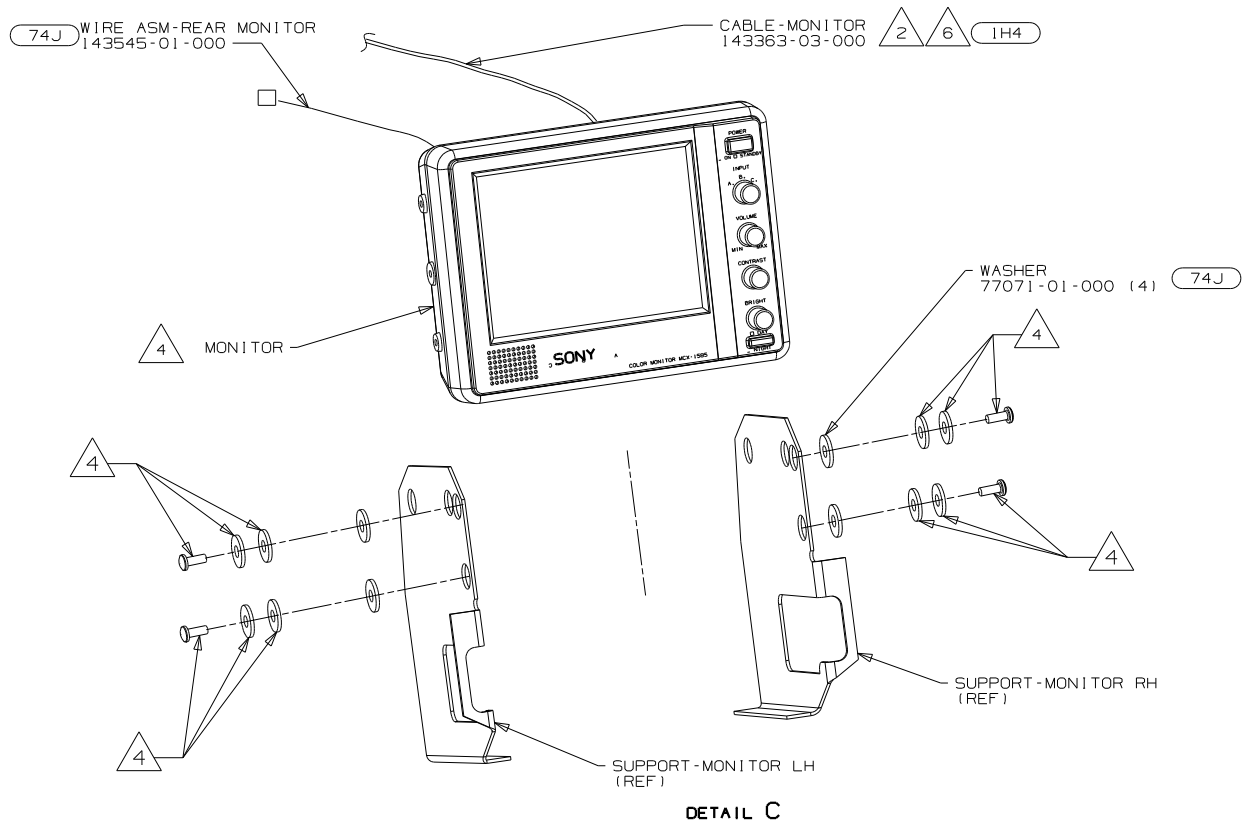
DANGER

Danger of electrical shock, burns or death. Always remove all power sources before attempting any repair, service or diagnostic work. Power can be present from shore power, generator, inverter or battery. All power sources must be disabled and secured before performing any service.



CAUTION

If you lack the skills, tools or equipment to perform diagnostic or repair work leave such work to an authorized Winnebago Industries dealer or other qualified shop.



- 74J REAR VIEW MONITOR SYSTEM
- 1H4 REAR VIEW MONITOR-WIRE PREP
- 1A5 REAR VIEW MONITOR SYS-W/O

WINNEBAGO		COPYRIGHT 2003 WINNEBAGO INDUSTRIES, INC.	
DFTR	ORIG. DATE	ALL DIMENSIONS ARE IN MILLIMETERS	
CHKR		04 P-SERIES	
P.E.		FIRST USED	
M.E.		UNSPECIFIED TOLERANCES ARE:	
DSNR		MATERIAL:	
		WHOLE DIM (X)	:
		ONE-PLACE (X.X)	:
		TWO-PLACE (X.XX)	:
		ANGLE	:
		THIRD ANGLE PROJECTION	⊕
DO NOT SCALE DRAWING			
TITLE: MONITOR INSTL			
SHEET 1 OF 1	PART NO	145342	
REF: 141330-D 09/01/03			

- NOTES:
- 6 1A5 OR 1H4 END STANDARD CABLE IN THIS AREA ON UNITS WITHOUT MONITOR.
 - 5 SEE PANEL-REAR CAP FOR LOCATION.
 - 4 PARTS SUPPLIED WITH MONITOR P/N 143363-01-000. 74J
 - 3 ALIGN TV SYSTEM CENTER OF SHROUD OPENING
 - 2 RUN CABLE THRU LEFT HAND COVE TO FRONT OF UNIT AND DOWN LEFT A-PILLAR TO MONITOR
 - 1 PARTS SUPPLIED WITH REAR CAMERA 143363-05-000. 74J

SEE CHART
FOR COLOR VARIATIONS
OF THIS PART