



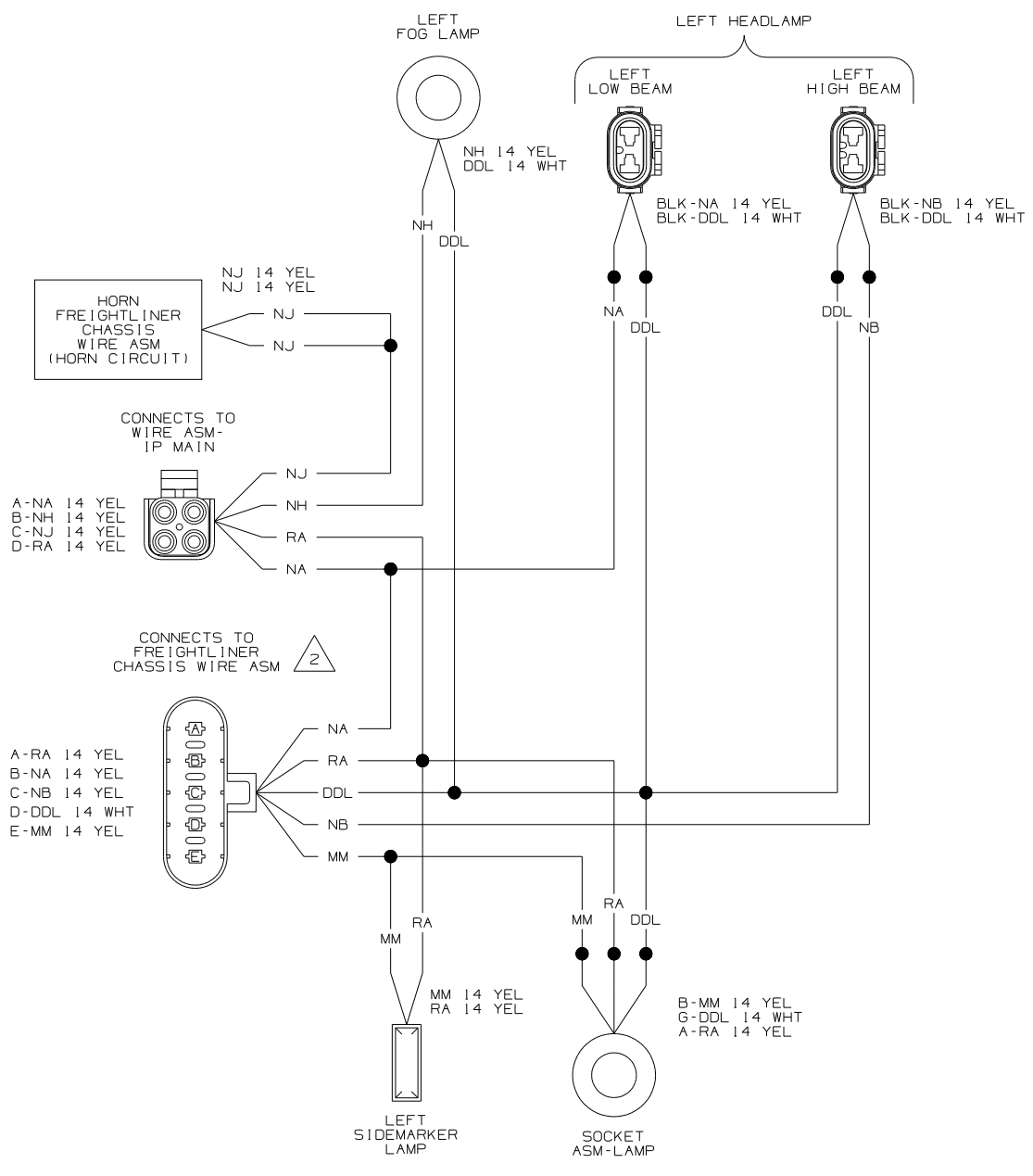
**DANGER**

**Danger of electrical shock, burns or death.** Always remove all power sources before attempting any repair, service or diagnostic work. Power can be present from shore power, generator, inverter or battery. All power sources must be disabled and secured before performing any service.

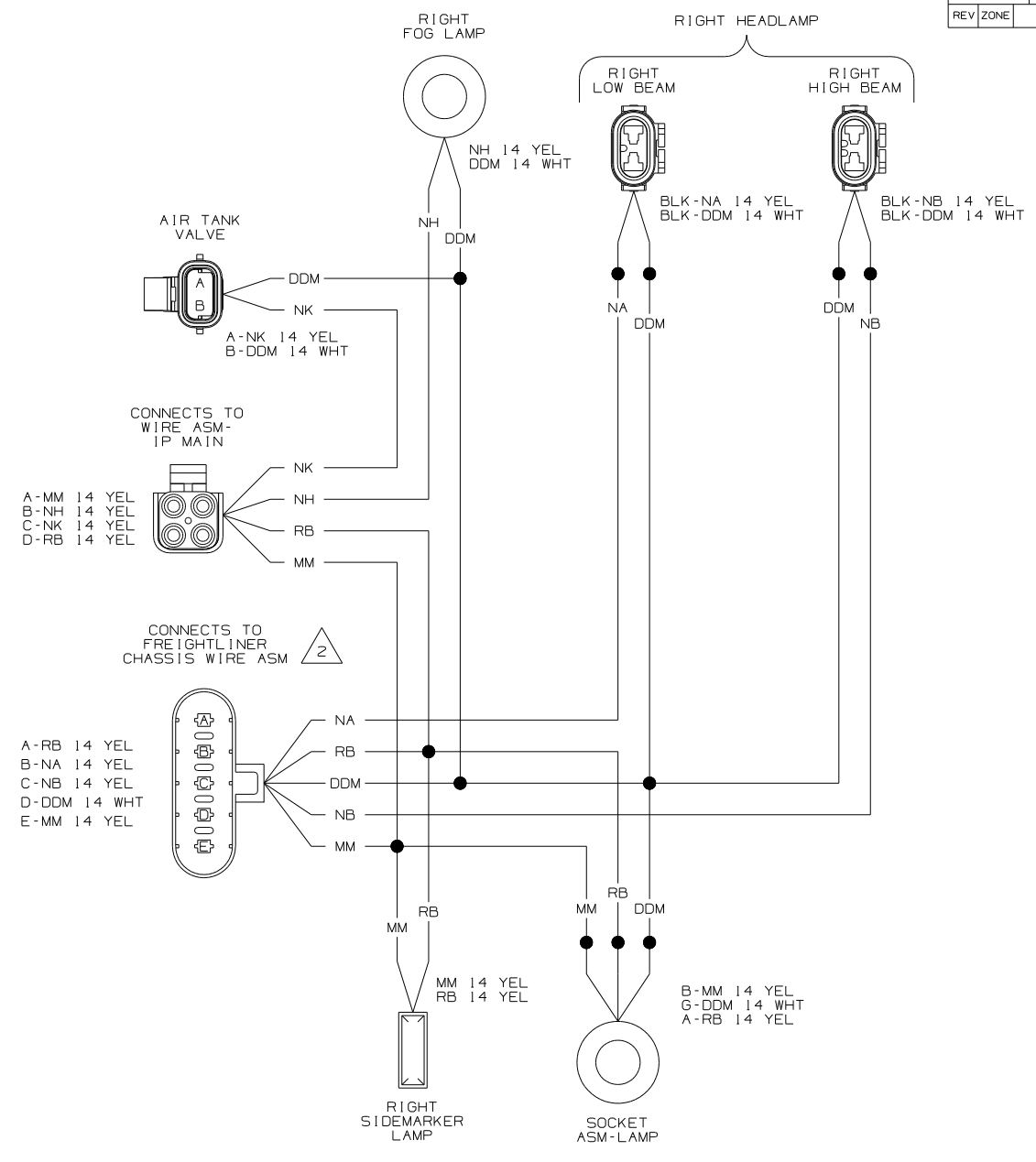


**CAUTION**

If you lack the skills, tools or equipment to perform diagnostic or repair work leave such work to an authorized Winnebago Industries dealer or other qualified shop.



1 WIRING DIAGRAM-HEADLAMP  
(WIRE ASM 144850-01 REV-D)



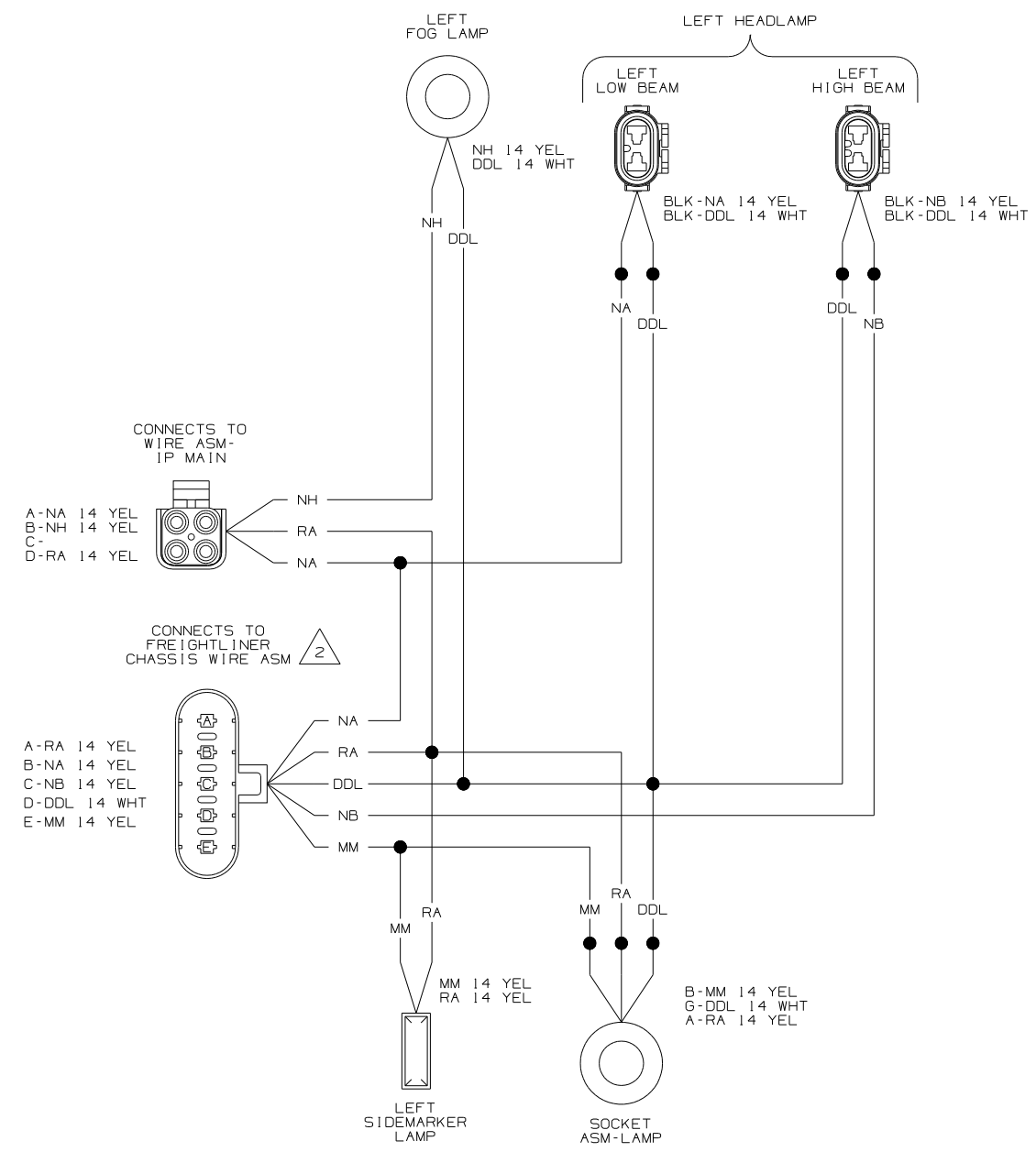
1 WIRING DIAGRAM-HEADLAMP  
(WIRE ASM 144850-02 REV-D)

2 HOUSINGS LOOK DIFFERENT BETWEEN SYSTEM 3 AND MMDC WIRING, BUT THE LOADING IS THE SAME.

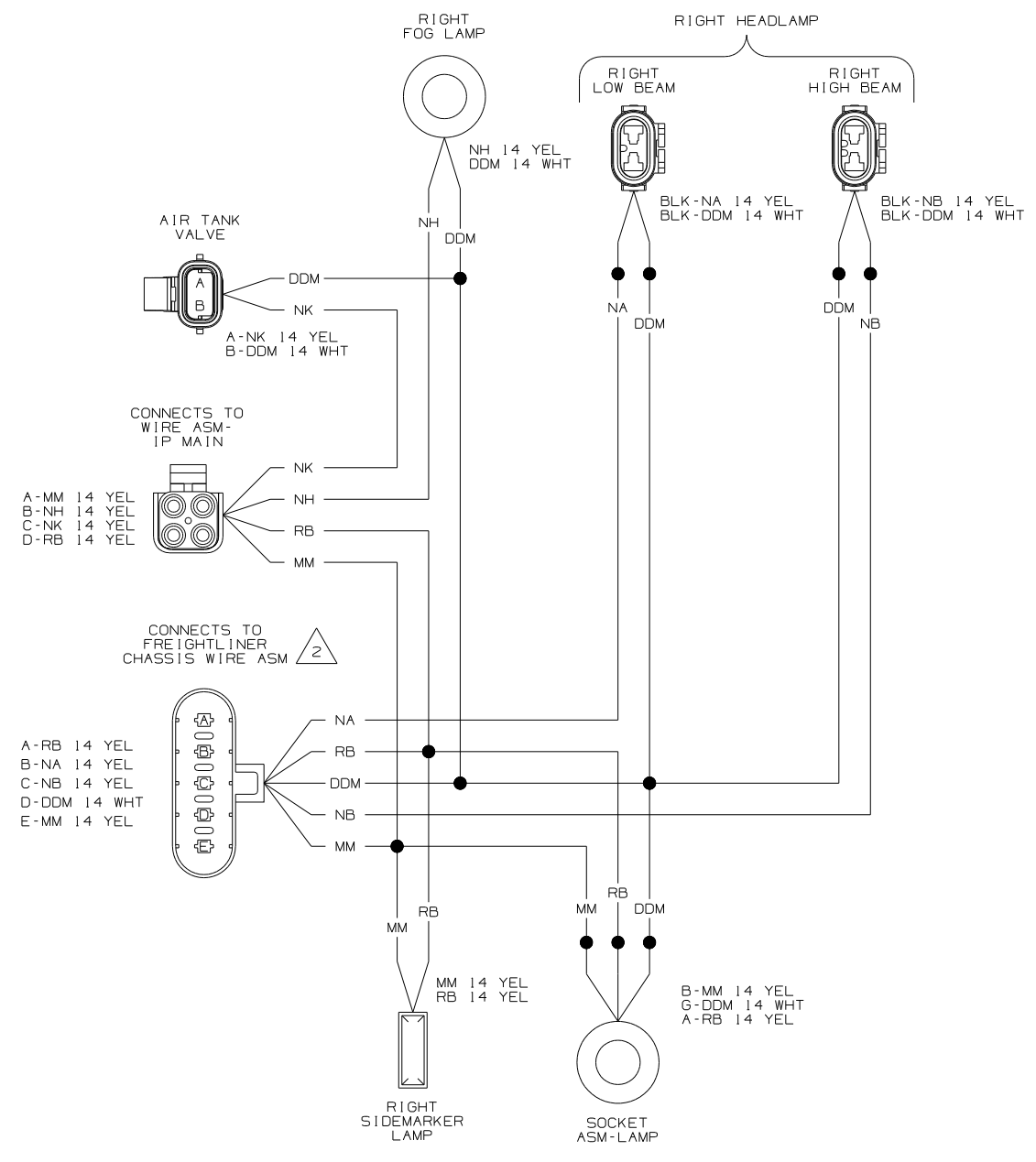
1 SYSTEM 3 WIRING

NOTES:

<b>WINNEBAGO</b>		COPYRIGHT 2003 WINNEBAGO INDUSTRIES, INC.	
DFTR	ORIG. DATE		
CHKR	ALL DIMENSIONS ARE IN MILLIMETERS		
P.E.			
M.E.	FIRST USED		
DSNR	04 P-SERIES		
UNSPECIFIED TOLERANCES ARE:		MATERIAL:	
WHOLE DIM (X)	:		
ONE-PLACE (X.X)	:		
TWO-PLACE (X.XX)	:		
ANGLE	:		
THIRD ANGLE PROJECTION			
DO NOT SCALE DRAWING			
TITLE: WIRING DIAGRAM-AUTO LAMPS			
SHEET 1 OF 6	PART NO	144992	
REF: 141857 1 08/19/03			



1 WIRING DIAGRAM-HEADLAMP  
(WIRE ASM 144850-03 REV-D)



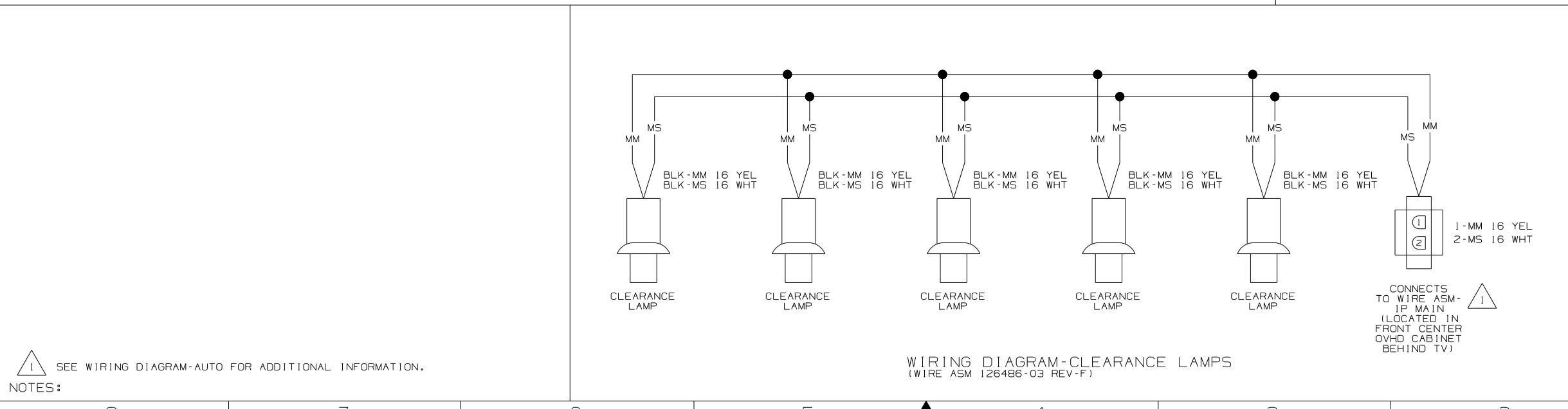
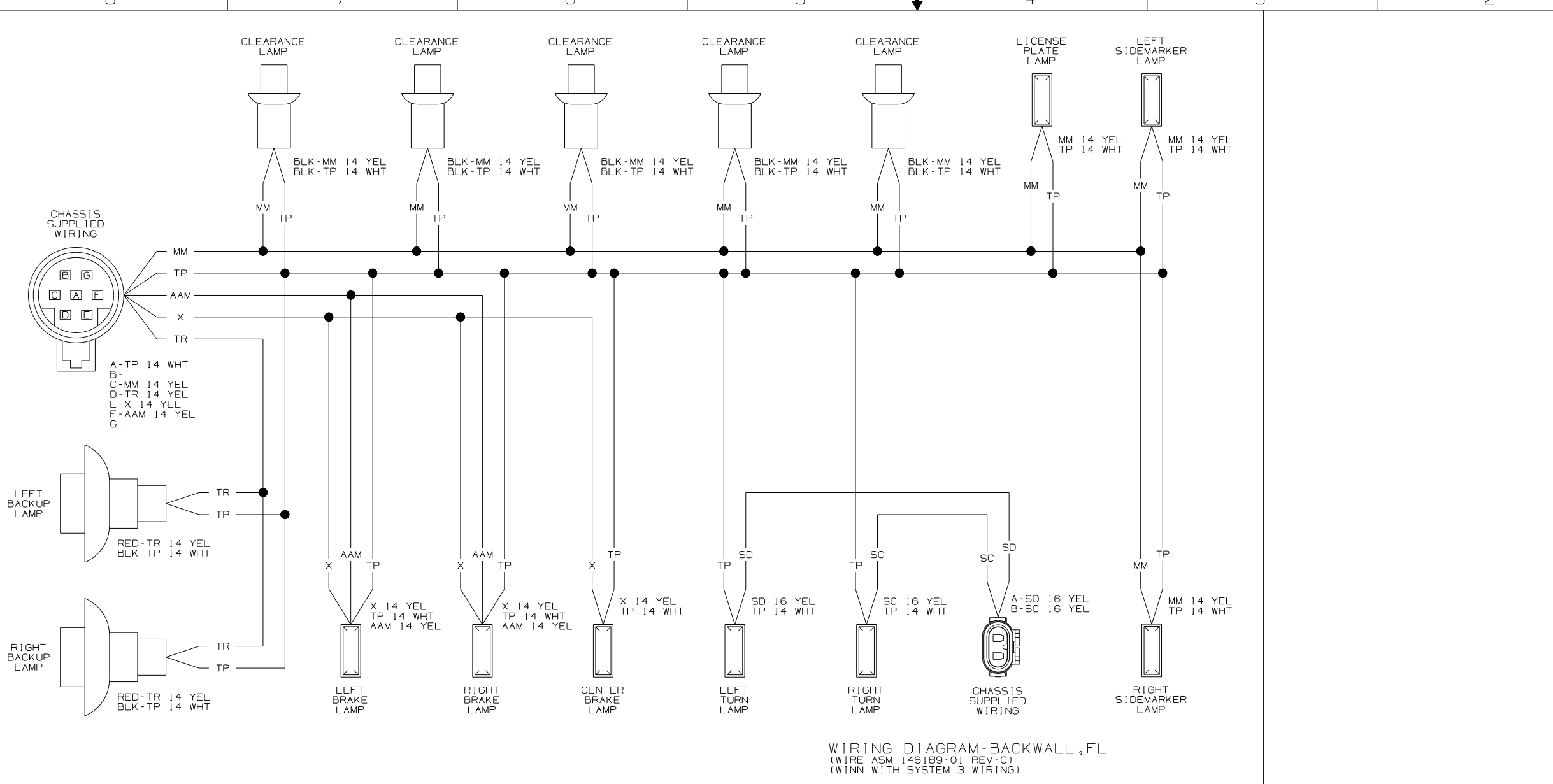
1 WIRING DIAGRAM-HEADLAMP  
(WIRE ASM 144850-04 REV-D)

2 HOUSINGS LOOK DIFFERENT BETWEEN SYSTEM 3 AND MMDC WIRING, BUT THE LOADING IS THE SAME.

1 MMDC WIRING

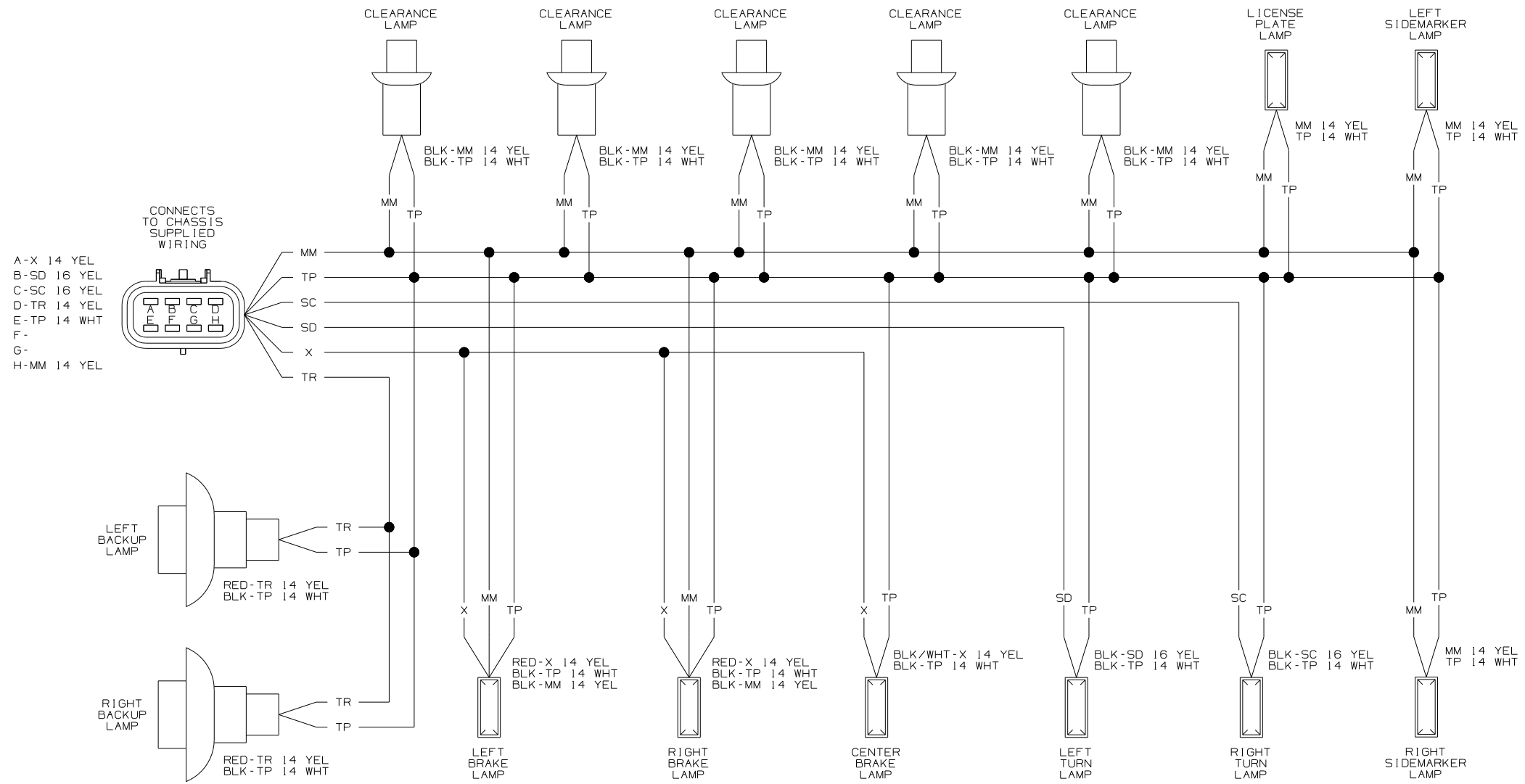
NOTES:

FIRST USED	04 P-SERIES
TITLE	DO NOT SCALE DRAWING
WIRING DIAGRAM-AUTO LAMPS	
SHEET 2	PART NO 144992



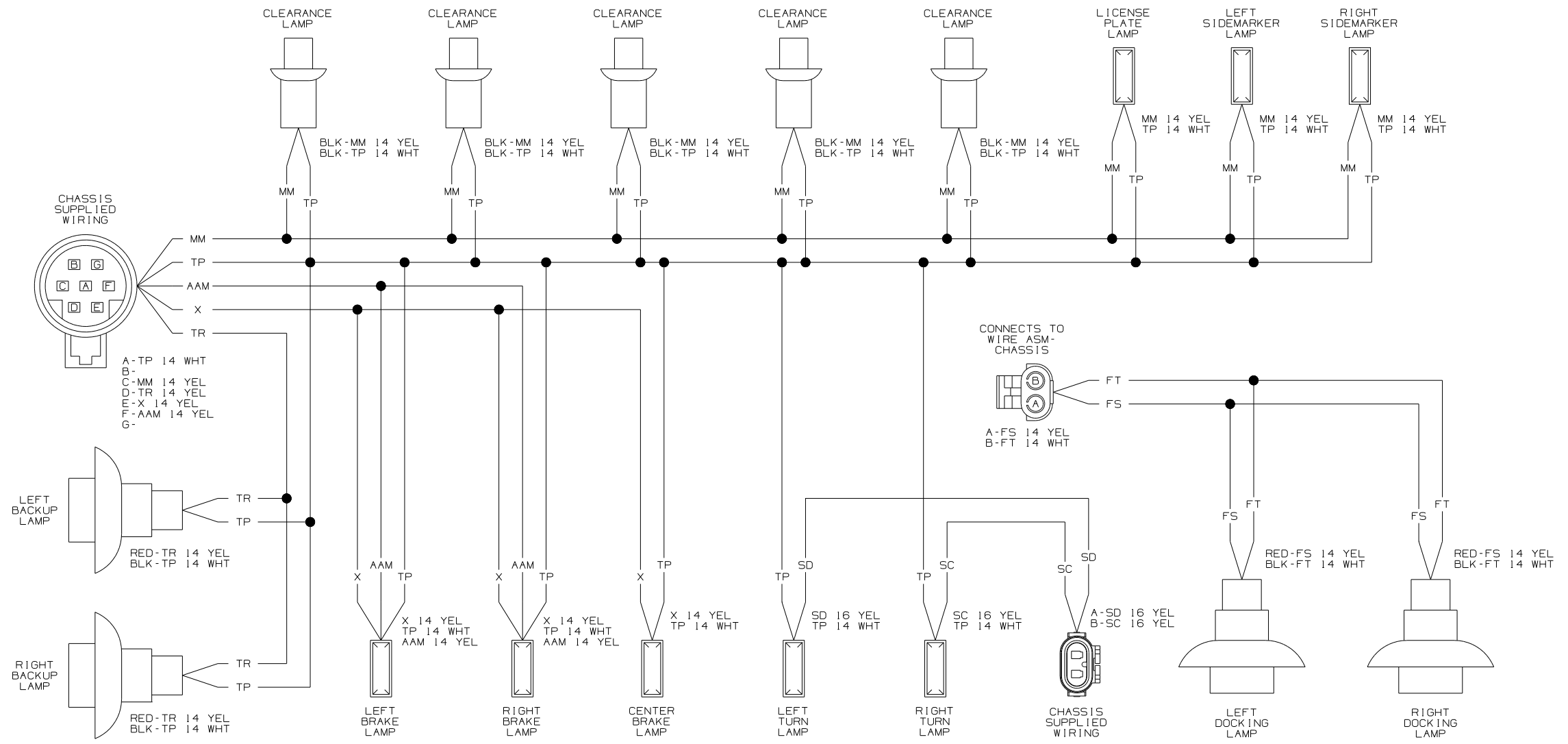
NOTES:  
1 SEE WIRING DIAGRAM-AUTO FOR ADDITIONAL INFORMATION.

FIRST USED	04 P-SERIES
TITLE	DO NOT SCALE DRAWING
TITLE	WIRING DIAGRAM-AUTO LAMPS
SHEET 3	PART NO 144992
1 08/19/03	



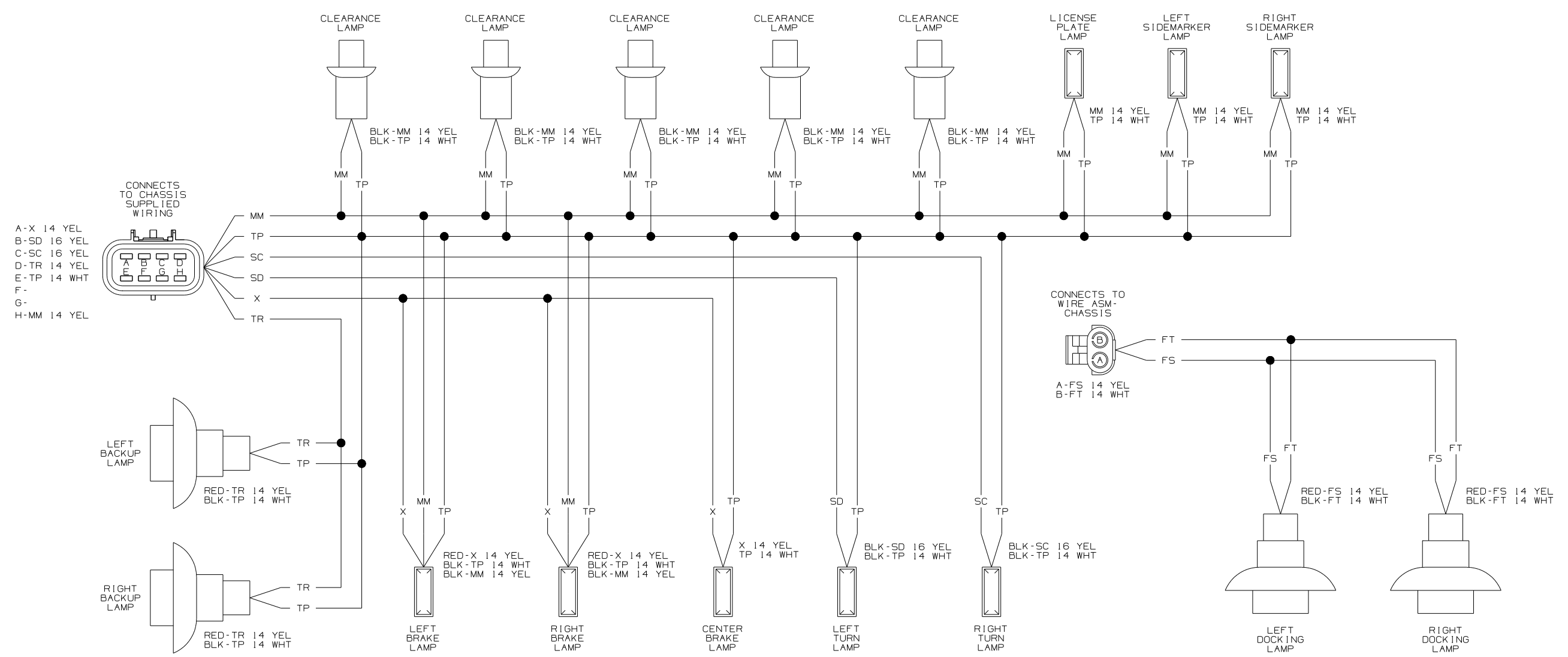
WIRING DIAGRAM-BACKWALL,FL  
(WIRE ASM 146189-03 REV-C)  
(WINN WITH MMDC WIRING)

FIRST USED	04 P-SERIES
TITLE	DO NOT SCALE DRAWING
TITLE	WIRING DIAGRAM-AUTO LAMPS
SHEET 4	PART NO 144992



WIRING DIAGRAM-BACKWALL,FL  
(WIRE ASM 146189-02 REV-C)  
(ITA WITH SYSTEM 3 WIRING)

FIRST USED	04 P-SERIES
TITLE	DO NOT SCALE DRAWING
TITLE	WIRING DIAGRAM-AUTO LAMPS
SHEET 5	PART NO 144992



WIRING DIAGRAM-BACKWALL,FL  
(WIRE ASM 146189-04 REV-C)  
(ITA WITH MMDC WIRING)

FIRST USED	
04 P-SERIES	
DO NOT SCALE DRAWING	
TITLE:	
WIRING DIAGRAM-AUTO LAMPS	
SHEET 6	PART NO 144992