



DANGER

Danger of electrical shock, burns or death. Always remove all power sources before attempting any repair, service or diagnostic work. Power can be present from shore power, generator, inverter or battery. All power sources must be disabled and secured before performing any service.



CAUTION

If you lack the skills, tools or equipment to perform diagnostic or repair work leave such work to an authorized Winnebago Industries dealer or other qualified shop.

		8	7	6	5	4	3	2	1
		P32T	P34H	P36G	P39K	P39W			
RED	12-UL	136135-07-053	136135-07-053	136135-07-053	136135-07-053	136135-07-053			
	12-CA	136136-07-053	136136-07-053	136136-07-053	136136-07-053	136136-07-053			
MAIN	6-3 UL	136139-01-027	136139-01-033	136139-01-030	136139-01-027	136139-01-027	(39C)		
	6-3 CA	136140-01-027	136140-01-033	136140-01-030	136140-01-027	136140-01-027	(39C)		
	4-3 UL	136141-01-027	136141-01-033	136141-01-030	136141-01-027	136141-01-027	(67Q)		
	4-3 CA	136142-01-027	136142-01-033	136142-01-030	136142-01-027	136142-01-027	(67Q)		
GRN	12-UL	136135-08-053	136135-08-053	136135-08-053	136135-08-053	136135-08-053			
	12-CA	136136-08-053	136136-08-053	136136-08-053	136136-08-053	136136-08-053			
INVERTER CHARGER MAIN	10-UL	136137-01-035	136137-01-035	136137-01-035	136137-01-035	136137-01-035	(13X)		
	10-CA	136138-01-035	136138-01-035	136138-01-035	136138-01-035	136138-01-035	(13X)		
YEL	14-UL	136131-05-086	136131-05-075	136131-05-072	136131-05-065	136131-05-075	(13B)		
	14-CA	136134-05-086	136134-05-075	136134-05-072	136134-05-065	136134-05-075	(13B)		
YEL-2	14-UL	136131-05-070	136131-05-075	136131-05-072	136131-05-065	136131-05-075	(144) (15U) (79W)		
	14-CA	136134-05-070	136134-05-075	136134-05-072	136134-05-065	136134-05-075	(144) (15U) (79W)		
GLD	12-UL	X	136135-10-096	136135-10-055	136135-10-130	136135-10-065	(21M) (54E)		
	12-CA	X	136136-10-096	136136-10-055	136136-10-130	136136-10-065	(21M) (54E)		
WHT	12 UL	136135-09-030	136135-09-030	136135-09-030	136135-09-030	136135-09-030	(1B2)		
	12 CA	136136-09-030	136136-09-030	136136-09-030	136136-09-030	136136-09-030	(1B2)		
INVERTER CHARGER SUB	10-UL	136137-01-035	136137-01-035	136137-01-035	136137-01-035	136137-01-035	(13X)		
	10-CA	136138-01-035	136138-01-035	136138-01-035	136138-01-035	136138-01-035	(13X)		
BLU	14-UL	136131-02-200	136131-02-170	136131-02-206	136131-02-165	136131-02-230	△1		
	14-CA	136134-02-200	136134-02-170	136134-02-206	136134-02-165	136134-02-230	△1		
BRN	14-UL	136131-03-130	136131-03-046	136131-03-106	136131-03-130	136131-03-085	△1		
	14-CA	136134-03-130	136134-03-046	136134-03-106	136134-03-130	136134-03-085	△1		
PUR	14-UL	136131-04-185	136131-04-151	136131-04-178	136131-04-200	136131-04-290			
	14-CA	136134-04-185	136134-04-151	136134-04-178	136134-04-200	136134-04-290			
BLK	14-UL	136131-06-093	136131-06-046	136131-06-075	136131-06-065	136131-06-070	△1		
	14-CA	136134-06-093	136134-06-046	136134-06-075	136134-06-065	136134-06-070	△1		

- (39C)
- (39C)
- (67Q)
- (67Q)
- (13X)
- (13X)
- (13B)
- (13B)
- (144) (15U) (79W)
- (144) (15U) (79W)
- (21M) (54E)
- (21M) (54E)
- (1B2)
- (1B2)
- (13X)
- (13X)

- (79W) REFRIGERATOR-4 DOOR
- (67Q) GEN-7.5KW-ONAN-QUIET DIESEL
- (13B) INVERTER/CHARGER-DC/AC W/O
- (54E) WASHER/DRYER
- (265) CODES/STANDARDS - CSA/CMVSS
- (21M) WASHER/DRYER - PREP
- (1B1) CODES/STANDARDS - USA
- (39C) GEN-6.5KW ONAN LP MARO GOLD
- (15U) REFRIGERATOR/FRZR W/ICEMAKER
- (13X) INVERTER/CHARGER 2.0 KW
- (144) REFRIGERATOR - DOUBLE DOOR
- (1B1) (265)

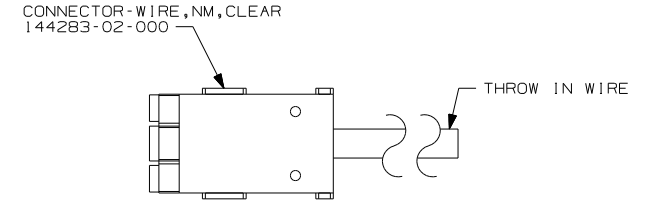
WINNEBAGO COPYRIGHT 2004 WINNEBAGO INDUSTRIES, INC.

DFTR	ORIG. DATE
CHKR	ALL DIMENSIONS ARE IN MILLIMETERS
P.E.	FIRST USED
M.E.	04 P-SERIES
DSNR	
UNSPECIFIED TOLERANCES ARE:	MATERIAL:
WHOLE DIM (X)	: 1
ONE-PLACE (X.X)	: 1.5
TWO-PLACE (X.XX)	: 0.50
ANGLE	: 1°
THIRD ANGLE PROJECTION	
DO NOT SCALE DRAWING	
TITLE: LOAD CENTER/ATS ASM	
SHEET 1 OF 5	PART NO 144991

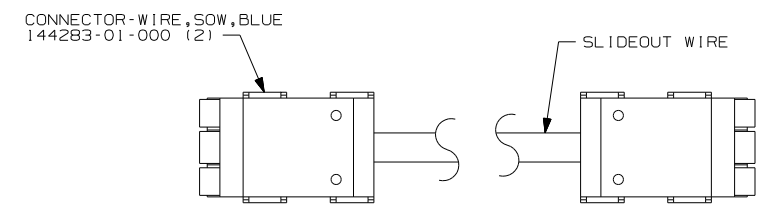
△1 SEE DETAIL BA FOR CONNECTOR INSTALLATION.
 NOTES:

		8	7	6	5		
		P32T	P34H	P36G	P39K	P39W	
GROUND MAIN		136145-01-023	136145-01-023	136145-01-023	136145-01-023	136145-01-023	
GROUND SUB		136145-01-023	136145-01-023	136145-01-023	136145-01-023	136145-01-023	
ATS GROUND		136145-01-020	136145-01-010	136145-01-010	136145-01-010	136145-01-010	
INVERTER GROUND		136145-01-015	136145-01-010	136145-01-010	136145-01-010	136145-01-010	
GENERATOR CABLE ASM	UL	136147-01-101	136147-01-105	X	X	X	
	CA	136147-02-101	136147-02-105	X	X	X	
GENERATOR CABLE ASM		X	-----	136148-01-119	136148-01-122	136148-01-122	
		136148-02-101	136148-02-105	136148-02-119	136148-02-122	136148-02-122	
THROW IN WIRE #1	14-UL	136131-03-070	136131-04-170	136131-03-085	136131-04-050	136131-04-060	136131-04-060
	14-CA	136134-03-070	136134-04-170	136134-03-085	136134-04-050	136134-04-060	136134-04-060
THROW IN WIRE #2	14-UL	136131-04-150	136131-03-040	136131-04-150	136131-04-006	136131-04-006	136131-04-006
	14-CA	136134-04-150	136134-03-040	136134-04-150	136134-04-006	136134-04-006	136134-04-006
THROW IN WIRE #3	14-UL	X	136131-06-020	-----	136131-02-085	136131-06-040	136131-06-040
	14-CA	X	136134-06-020	-----	136134-02-085	136134-06-040	136134-06-040
THROW IN WIRE #4	14-UL	X	-----	-----	X	136131-03-100	136131-03-100
	14-CA	X	-----	-----	X	136134-03-100	136134-03-100
SLIDEOUT #1 WIRE #1		136151-05-027	136151-03-017	136151-03-030	136151-03-027	136151-03-015	136151-03-015
SLIDEOUT #1 WIRE #2		136151-03-027	136151-06-017	-----	X	136151-06-015	136151-06-015
SLIDEOUT #2 WIRE #1		X	-----	-----	136151-04-020	136151-04-020	136151-04-020
SLIDEOUT #3 WIRE #1		X	X	X	136151-02-017	X	X
SLIDEOUT #3 WIRE #2		X	X	X	136151-06-017	X	X

- 39C
- 39C
- 39C
- 670



DETAIL BA



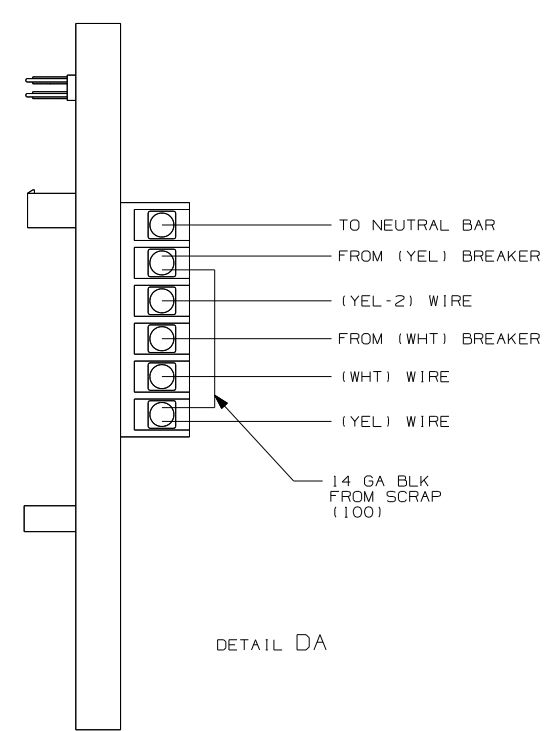
DETAIL BB

- 670 GEN-7.5KW-ONAN-QUIET DIESEL
- 39C GEN-6.5KW ONAN LP MARO GOLD
- 265 CODES/STANDARDS - CSA/CMVSS
- 1B1 CODES/STANDARDS - USA

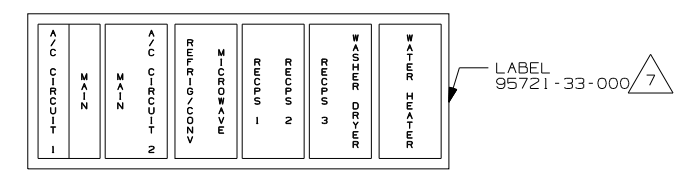
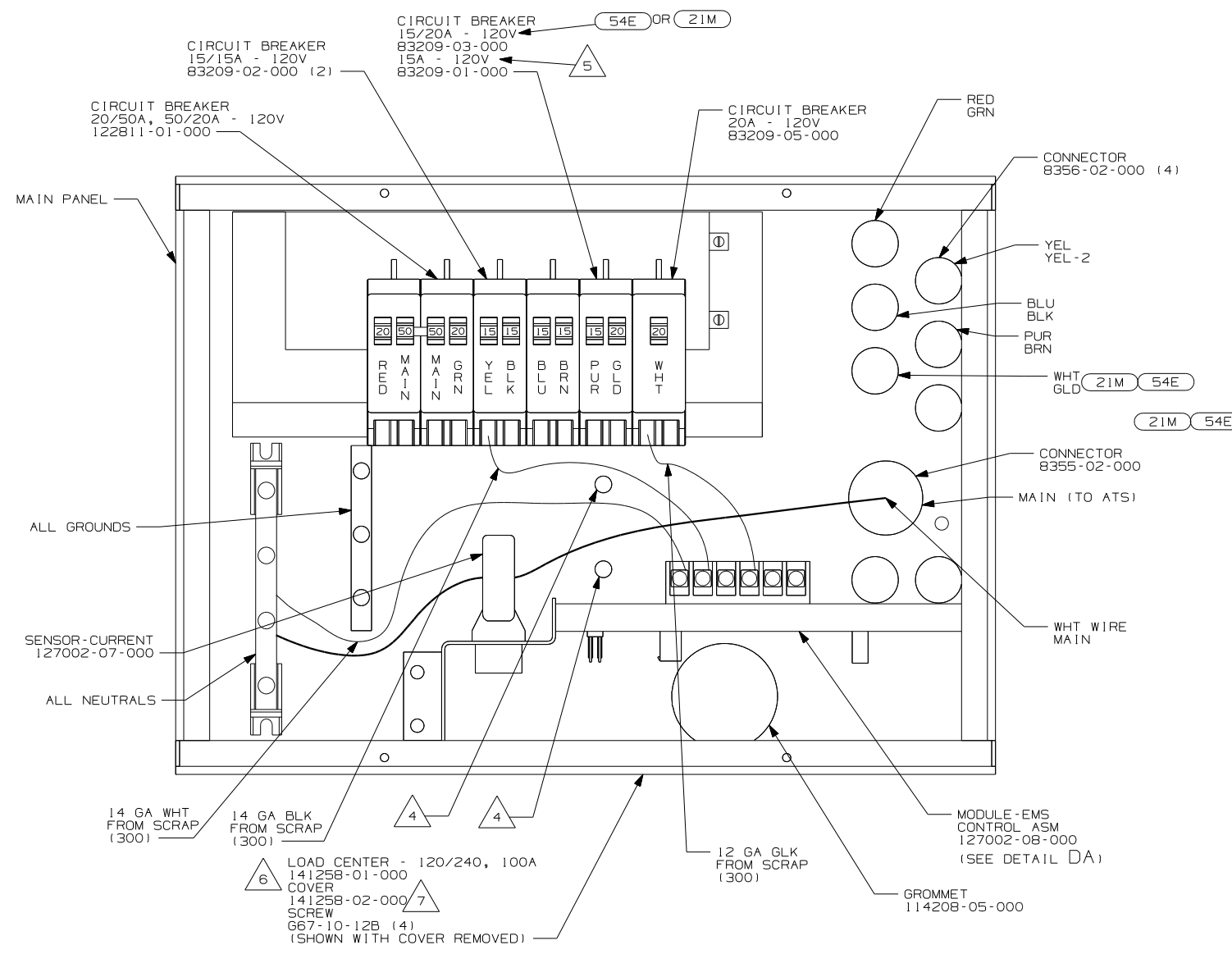
- 1B1 265

FIRST USED	04 P-SERIES
TITLE	DO NOT SCALE DRAWING
SHEET 2	PART NO 144991

NOTES:
 SEE DETAIL BB FOR CONNECTOR INSTALLATION.
 SEE DETAIL BA FOR CONNECTOR INSTALLATION.



DETAIL DA



INSTALL LABEL ON FRONT PANEL BELOW BREAKERS BETWEEN MOUNTING HOLES

- 7 INSTALLED BY ASSEMBLY LINE.
- 6 ALL WIRES ARE TO BE 500MM LONG INSIDE OF BOX.
- 5 WITHOUT (54E) OR (21M).
- 4 ATTACH WIRES TO BACKSIDE OF LOAD CENTER, USE EXISTING HOLES AND TIE-WIRE 116673-01-000.
- 3. ALL 110V STRANDED WIRE W/O TERMINALS TO BE STRIPPED 10MM AND SOLDER DIPPED.
- 2. ALL WIRES ARE NOT SHOWN FOR CALARITY.
- 1. ALL GROUND WIRES TO BE COVERED WITH TUBING 8041-02-000.

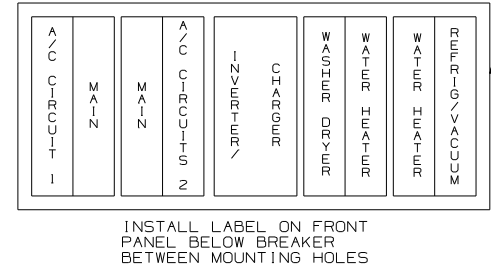
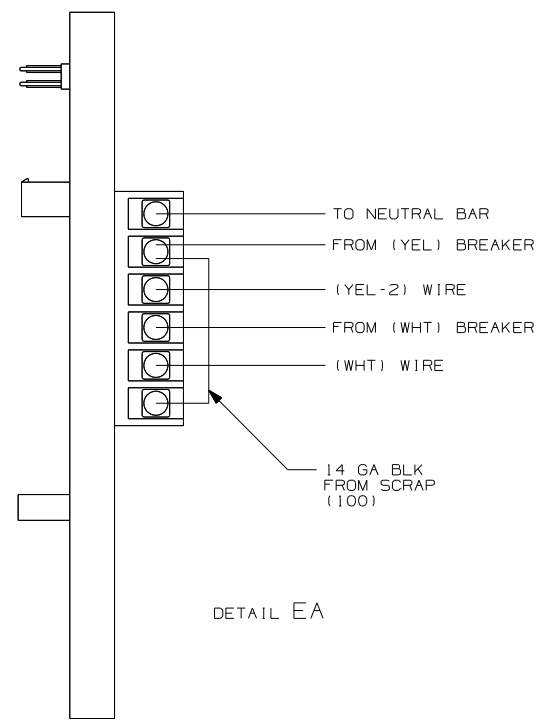
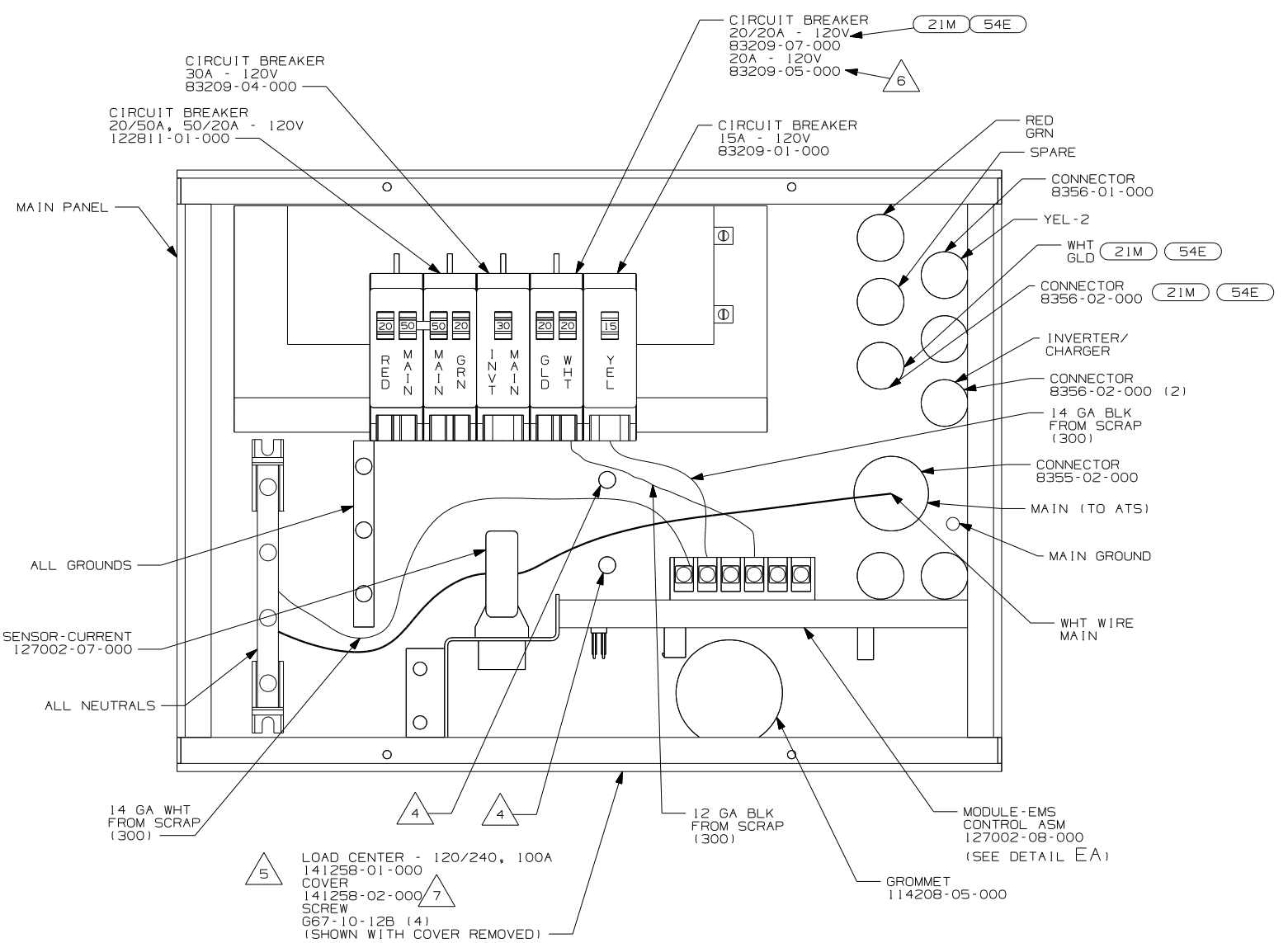
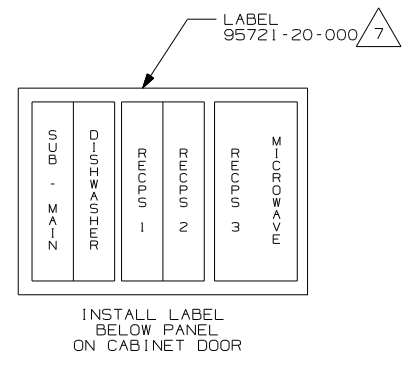
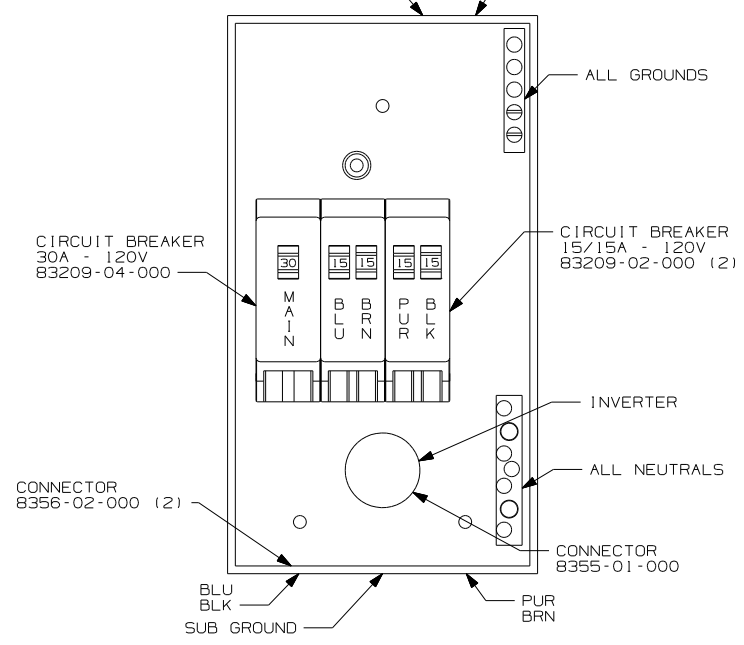
FOR ELECTRICAL TORQUE SPECIFICATIONS SEE DWG NO. 128783-01-000

FOR ELECTRICAL CALLOUTS SEE DWG NO. 121339-01-000

- (13B) INVERTER/CHARGER-DC/AC W/O
- (54E) WASHER/DRYER
- (21M) WASHER/DRYER PREP
- (265) CODES/STANDARDS-CSA/CMVSS
- (1B1) CODES/STANDARDS USA

FIRST USED	04 P-SERIES
TITLE	DO NOT SCALE DRAWING
SHEET 3	PART NO 144991

LOAD CENTER
109677-01-000
SCREW
G67-10-12B (4)
(SHOWN WITH COVER REMOVED)



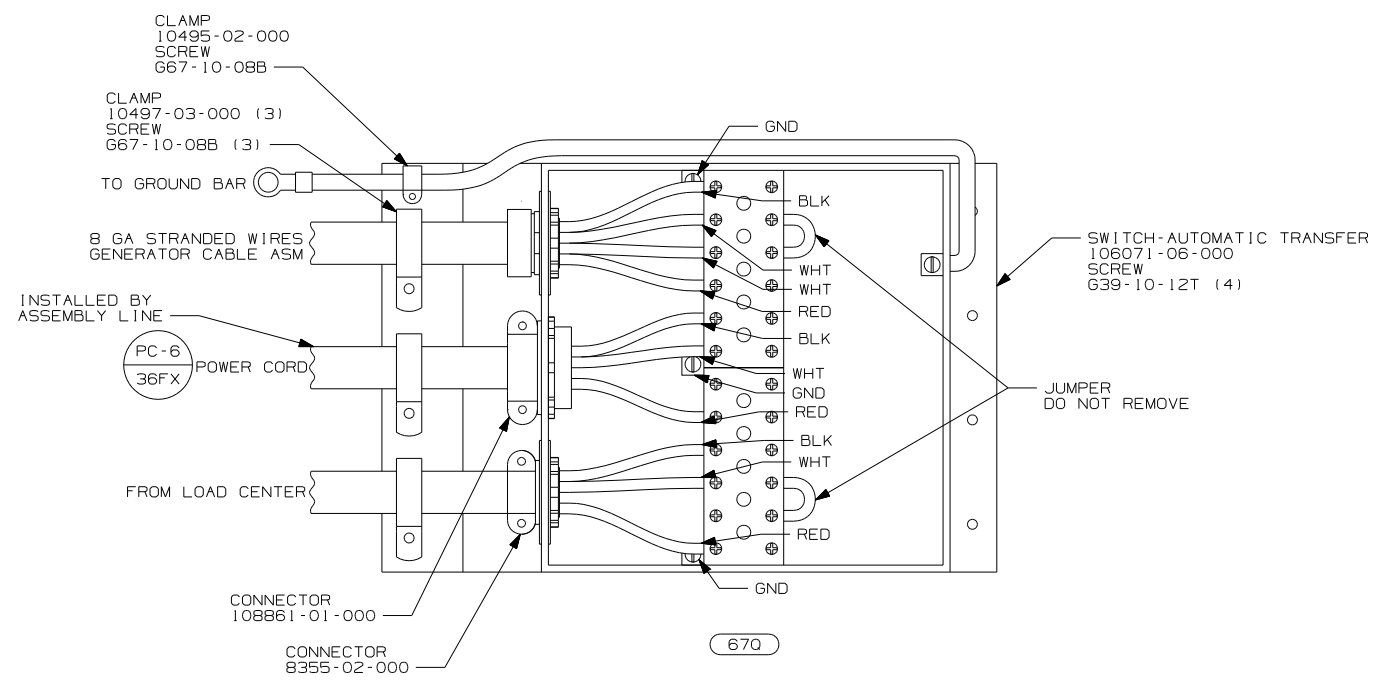
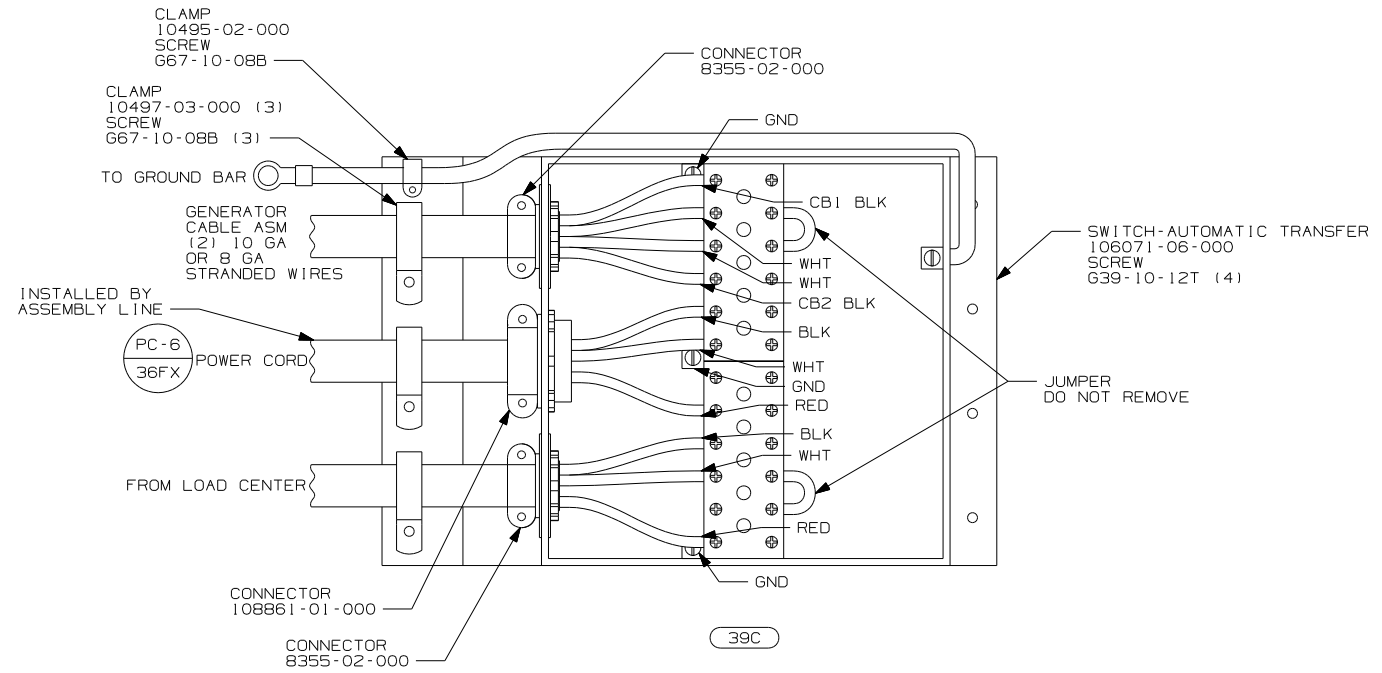
- 78J ELECTRICAL SYSTEM-50 AMP
- 54E WASHER/DRYER
- 21M WASHER/DRYER PREP
- 13X INVERTER/CHARGER 2.0 KW
- 265 CODES/STANDARDS-CSA/CMVSS
- 1B1 CODES/STANDARDS USA
- 1B1 265 78J 13X

- NOTES:
- 7 INSTALLED BY ASSEMBLY LINE.
 - 6 WITHOUT 21M OR 54E
 - 5 ALL WIRES ARE TO BE 500MM LONG INSIDE OF BOX.
 - 4 ATTACH WIRES TO BACKSIDE OF LOAD CENTER, USE EXISTING HOLES AND TIE-WIRE 116673-01-000.
 3. ALL 110V STRANDED WIRE W/O TERMINALS TO BE STRIPPED 10MM AND SOLDER DIPPED.
 2. ALL WIRES ARE NOT SHOWN FOR CLARITY.
 1. ALL GROUND WIRES TO BE COVERED WITH TUBING 8041-02-000.

FOR ELECTRICAL TORQUE SPECIFICATIONS SEE DWG NO. 128783-01-000

FOR ELECTRICAL CALLOUTS SEE DWG NO. 121339-01-000

FIRST USED	04 P-SERIES
TITLE:	DO NOT SCALE DRAWING
	LOAD CENTER/ATS ASM
SHEET 4	PART NO 144991



- 670 GEN-7.5KW-ONAN-QUIET DIESEL
- 39C GEN-6.5KW ONAN LP MARO GOLD
- 265 CODES/STANDARDS-CSA/CMVSS
- 1B1 CODES/STANDARDS USA
- 1B1 265

FOR ELECTRICAL TORQUE SPECIFICATIONS SEE DWG NO. 128783-01-000

FOR ELECTRICAL CALLOUTS SEE DWG NO. 121339-01-000

FIRST USED	04 P-SERIES
TITLE	DO NOT SCALE DRAWING
	LOAD CENTER/ATS ASM
SHEET 5	PART NO 144991

NOTES: