



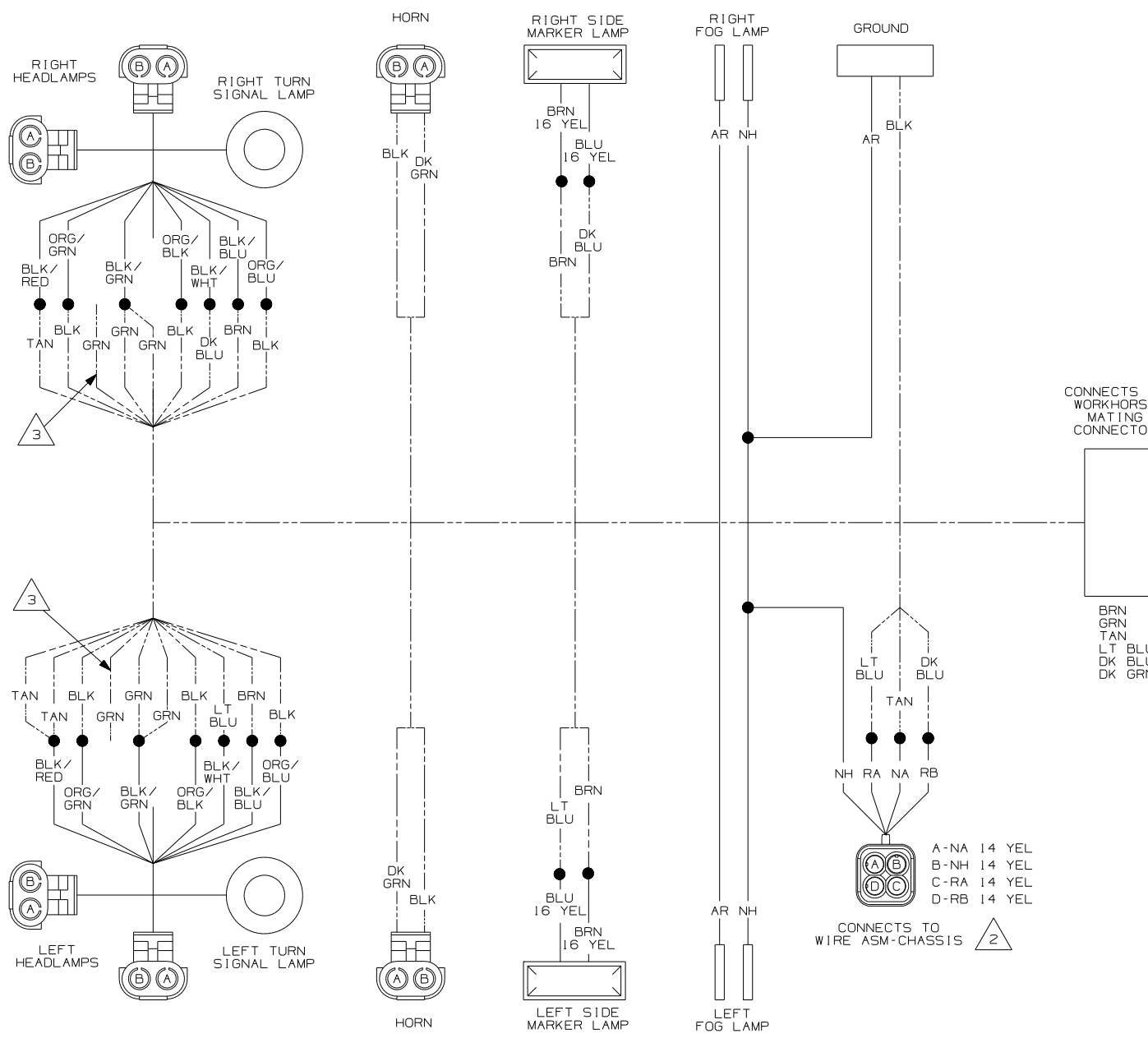
DANGER

Danger of electrical shock, burns or death. Always remove all power sources before attempting any repair, service or diagnostic work. Power can be present from shore power, generator, inverter or battery. All power sources must be disabled and secured before performing any service.

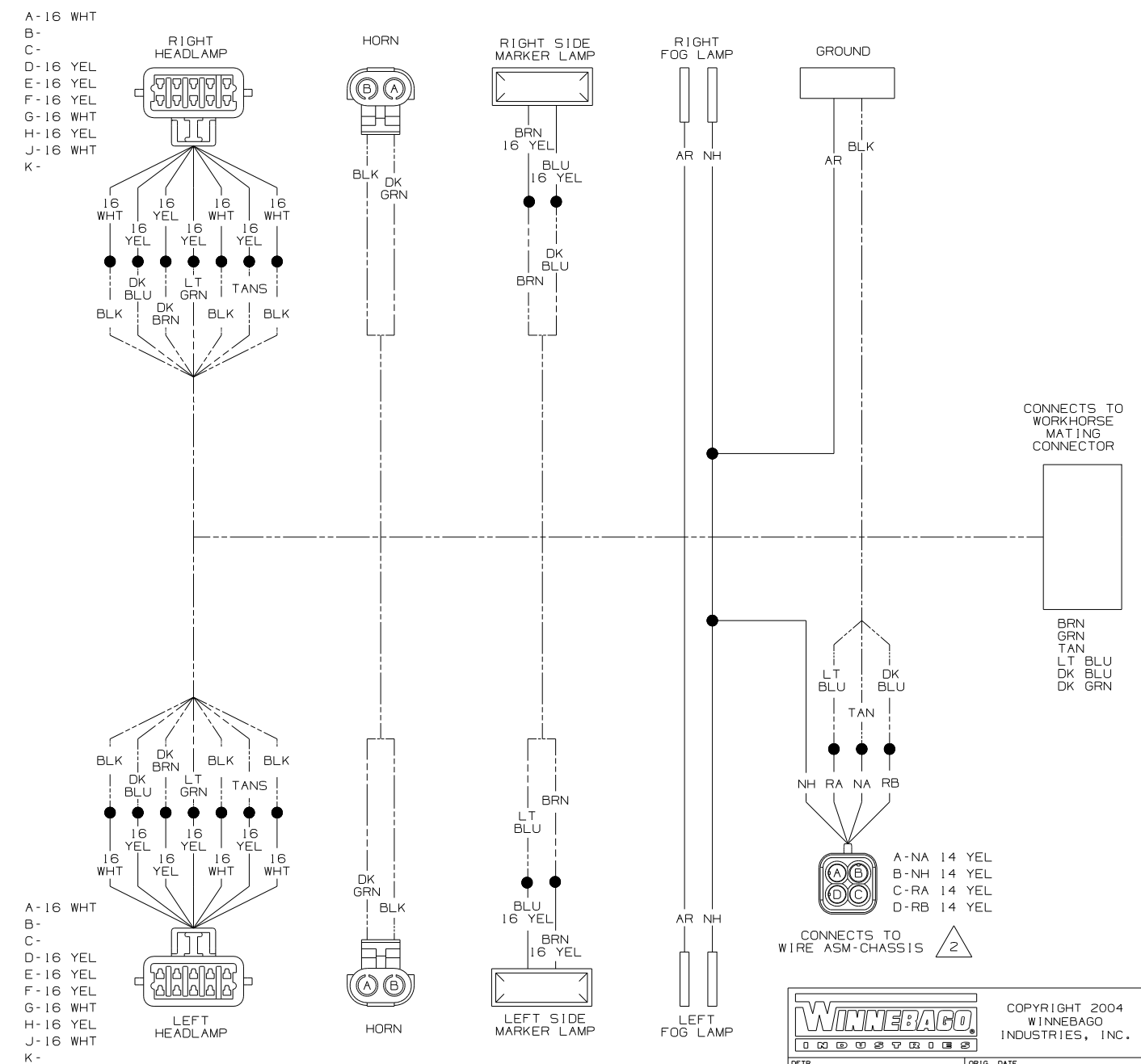


CAUTION

If you lack the skills, tools or equipment to perform diagnostic or repair work leave such work to an authorized Winnebago Industries dealer or other qualified shop.



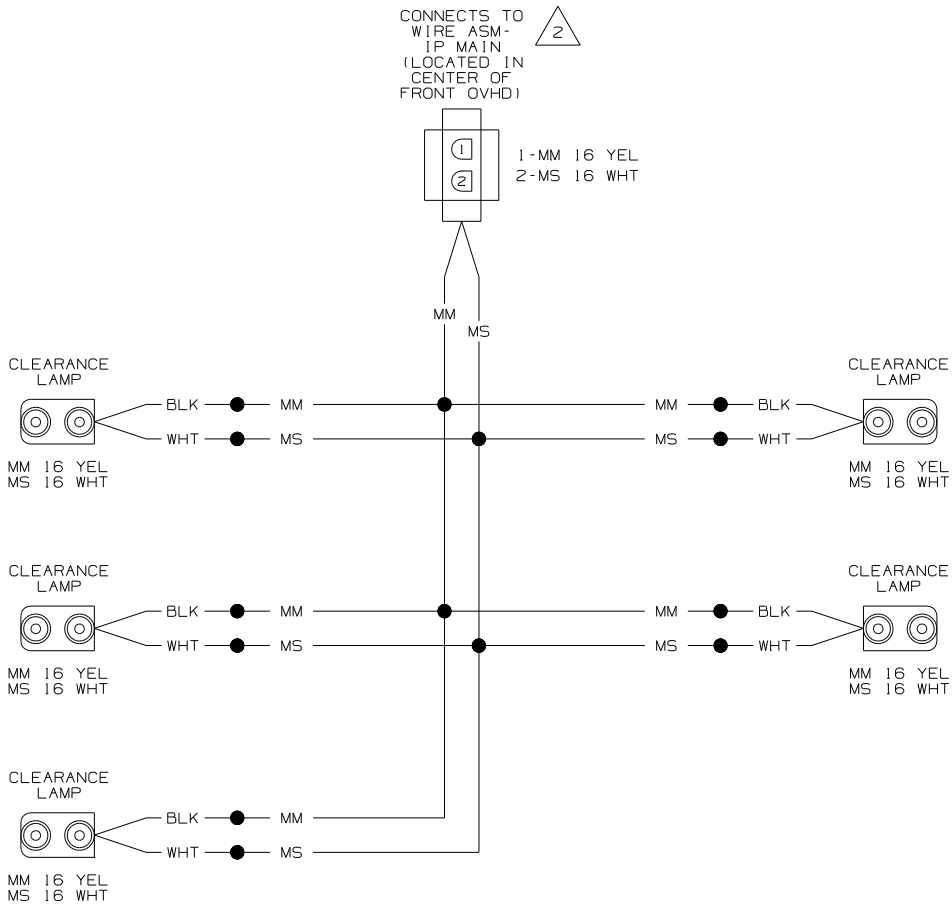
WIRING DIAGRAM-HEADLAMP, WH
(WIRE ASM 140540-04 REV-B)
(ITASCA ONLY)



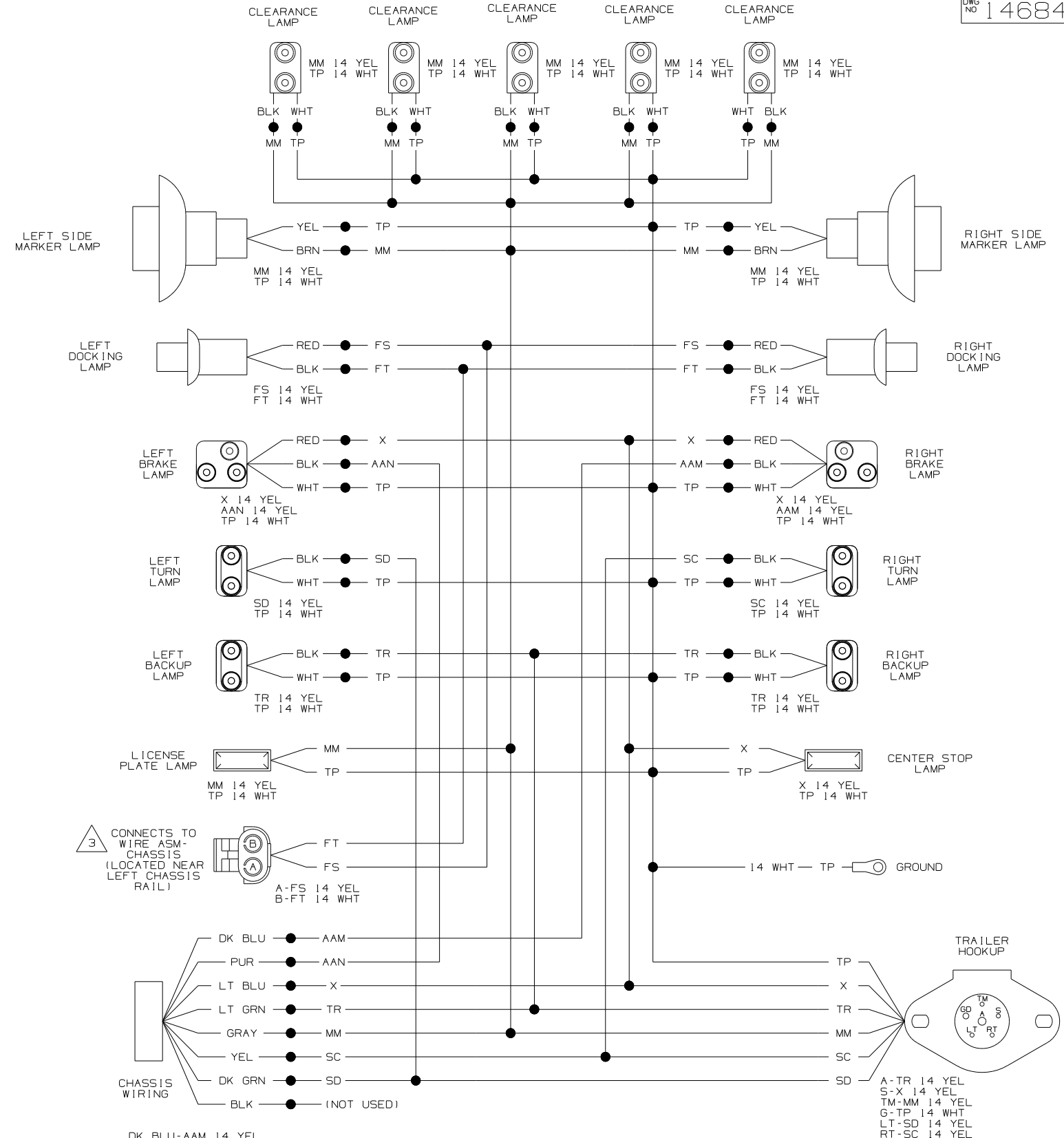
WIRING DIAGRAM-HEADLAMP, WH
(WIRE ASM 140540-03 REV-B)
(WINNEBAGO ONLY)

- 3 WIRE NOT USED.
 - 2 SEE WIRING DIAGRAM-BODY, 12V FOR ADDITIONAL INFORMATION.
1. PHANTOM LINES INDICATES CHASSIS WIRING.

WINNEBAGO		COPYRIGHT 2004 WINNEBAGO INDUSTRIES, INC.	
DFTR	ORIG. DATE		
CHKR	ALL DIMENSIONS ARE IN MILLIMETERS		
P.E.			
M.E.	FIRST USED		
DSNR	04 L-SERIES		
UNSPECIFIED TOLERANCES ARE:		MATERIAL:	
WHOLE DIM (X)	:		
ONE-PLACE (X.X)	:		
TWO-PLACE (X.XX)	:		
ANGLE	:		
THIRD ANGLE PROJECTION			
DO NOT SCALE DRAWING			
TITLE: WIRING DIAGRAM-AUTO LAMPS			
SHEET 1 OF 2	PART NO	146849	



WIRING DIAGRAM-CLEARANCE LAMPS (WIRE ASM 126486-04 REV-E)



WIRING DIAGRAM-BACKWALL (WIRE ASM 139509 REV-C)

- NOTES:
- 3 SEE WIRING DIAGRAM-BODY, 12V FOR ADDITIONAL INFORMATION.
 - 2 SEE WIRING DIAGRAM-AUTO FOR ADDITIONAL INFORMATION.
 - 1 SEE MANUFACTURER'S DIAGRAM FOR ADDITIONAL INFORMATION.

FIRST USED	04 L-SERIES
TITLE	DO NOT SCALE DRAWING
TITLE	WIRING DIAGRAM-AUTO LAMPS
SHEET 2	PART NO 146849