



DANGER

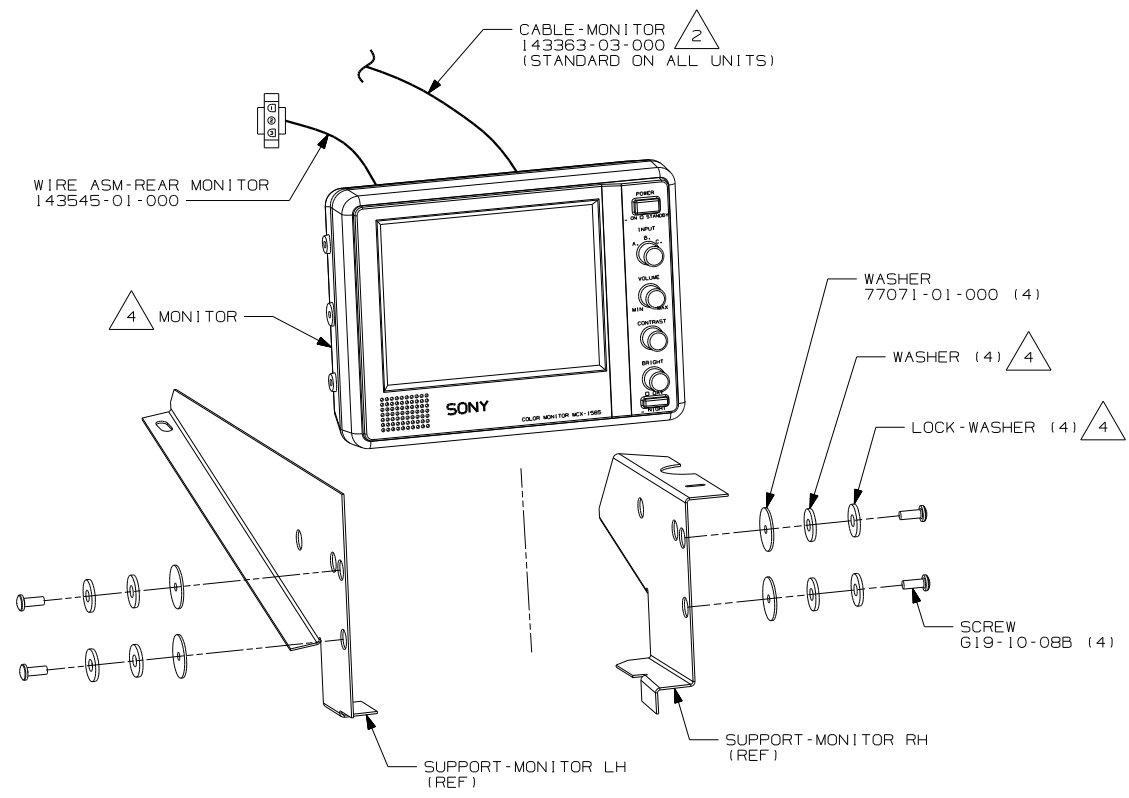
Danger of electrical shock, burns or death. Always remove all power sources before attempting any repair, service or diagnostic work. Power can be present from shore power, generator, inverter or battery. All power sources must be disabled and secured before performing any service.



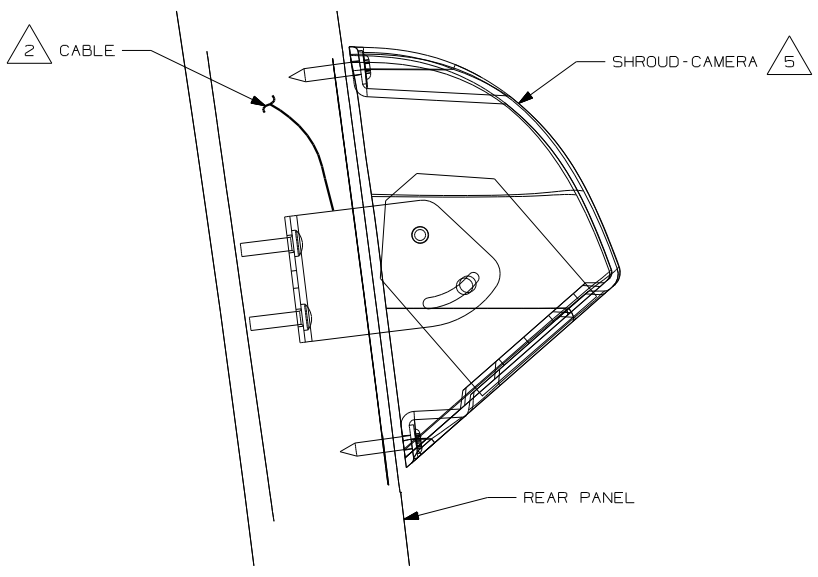
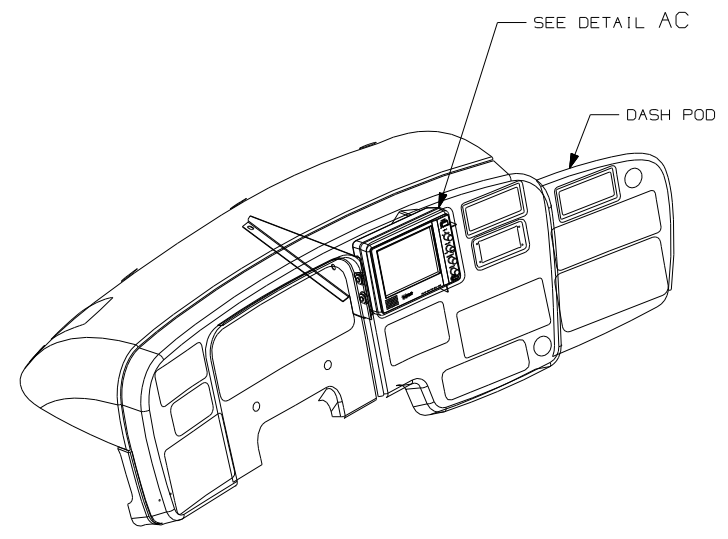
CAUTION

If you lack the skills, tools or equipment to perform diagnostic or repair work leave such work to an authorized Winnebago Industries dealer or other qualified shop.

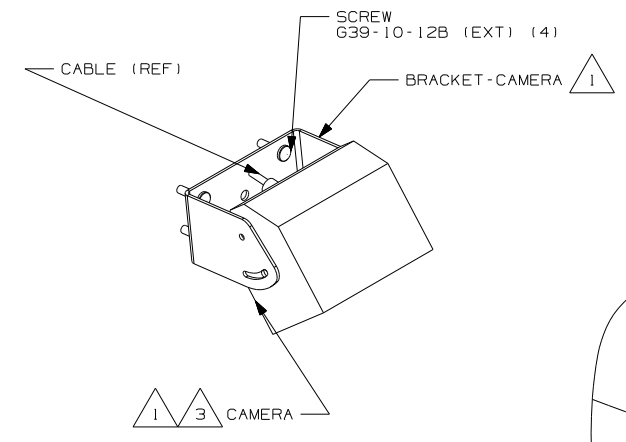
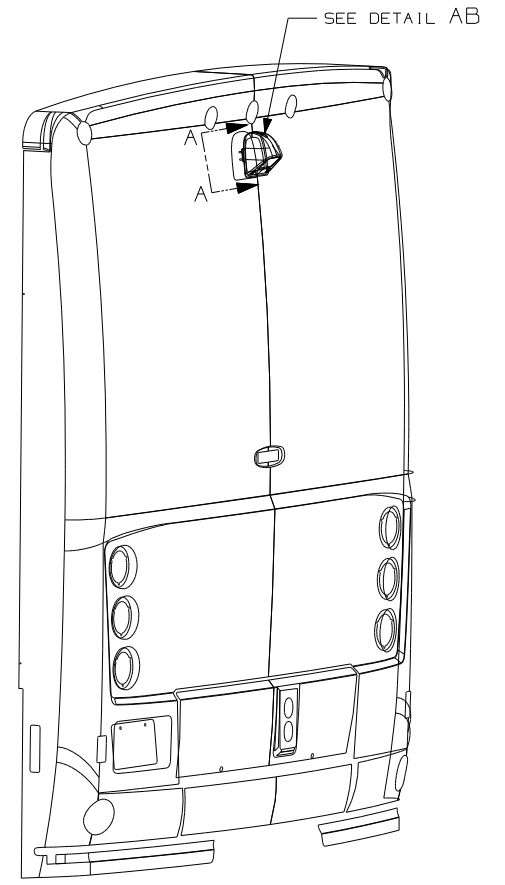
RELEASE	REV DATE	DWG NO	146107
REV ZONE	REVISION RECORD	DATE	DFTR-ORIG
B - - -	CHANGED SHROUD-CAMERA	8/18/03	1529-1529



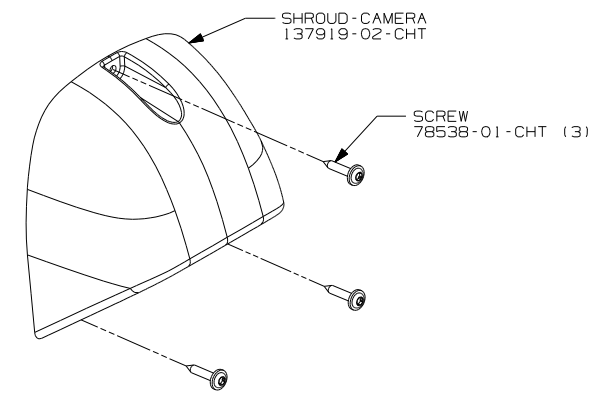
DETAIL AC



VIEW A-A



DETAIL AB



74J REARVIEW MONITOR SYSTEM

74J		COPYRIGHT 2003 WINNEBAGO INDUSTRIES, INC.	
DFTR	ORIG. DATE	ALL DIMENSIONS ARE IN MILLIMETERS	
CHKR		FIRST USED	
P.E.		04 L-SERIES	
M.E.		UNSPECIFIED TOLERANCES ARE:	
DSNR		MATERIAL:	
		WHOLE DIM (X)	:
		ONE-PLACE (X.X)	:
		TWO-PLACE (X.XX)	:
		ANGLE	:
		THIRD ANGLE PROJECTION	⊕
DO NOT SCALE DRAWING			
TITLE: MONITOR INSTL			
SHEET 1 OF 1	PART NO	146107	
REF: 141329-C1 08/19/03			

- NOTES:
- 5 SEE PANEL-REAR CAP FOR LOCATION.
 - 4 PARTS SUPPLIED WITH MONITOR P/N 143363-01-000.
 - 3 ALIGN TV SYSTEM CENTER OF SHROUD OPENING.
 - 2 RUN CABLE THRU LEFT HAND COVE TO FRONT OF UNIT AND DOWN LEFT A-PILLAR TO MONITOR.
 - 1 PARTS SUPPLIED WITH REAR CAMERA P/N 143363-05-000.