



DANGER

Danger of electrical shock, burns or death. Always remove all power sources before attempting any repair, service or diagnostic work. Power can be present from shore power, generator, inverter or battery. All power sources must be disabled and secured before performing any service.

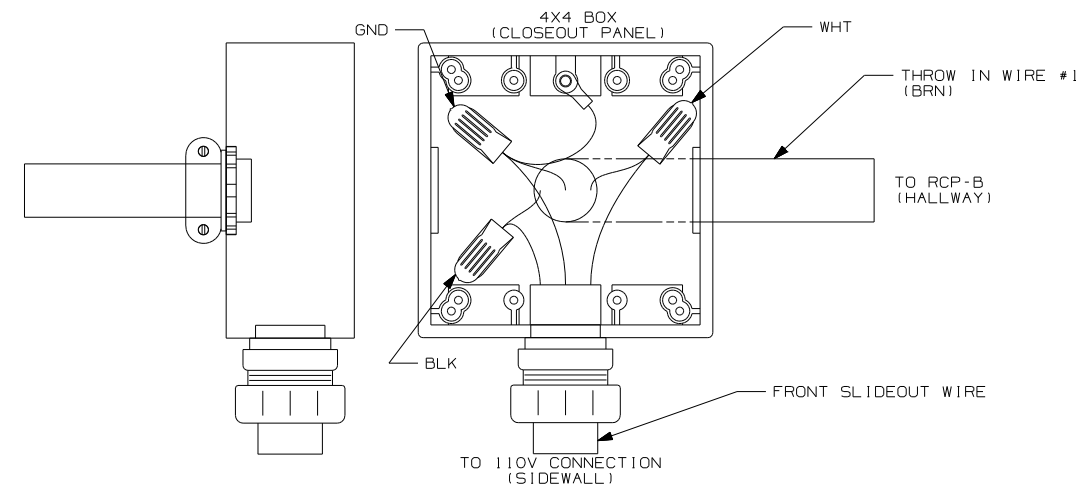


CAUTION

If you lack the skills, tools or equipment to perform diagnostic or repair work leave such work to an authorized Winnebago Industries dealer or other qualified shop.

DRAWING NO.	FEATURE
145414-01	-----
145414-11	(1B1) (12D)
145414-12	(1B1) (78J)
145414-15	(265) (12D)
145414-16	(265) (78J)

RELEASE	REV/DATE A	DWG NO 145414
REV ZONE	REVISION RECORD	DATE DFR-0R16



(78J) (GRN)
TO A/C
FROM LOAD CENTER

(12D) (GRN)
TO A/C
FROM ATS
(RED)
TO A/C
FROM LOAD CENTER

WATER HEATER JUNCTION BOX CONNECTOR 58028-01-000 (2)

(WHT) TO WATER HEATER FROM LOAD CENTER

2500 DROP TO LOAD CENTER

DETAIL AA 5 7

1000 DROP (PUR) TO 110V CONNECTION (UNDER BED) FROM RCP-B (DESK)

4X4 BOX (SEE DETAIL AA)

400 DROP (BRN) FRONT SLIDEOUT WIRE TO 110V CONNECTION (SIDEWALL) FROM 4X4 BOX (CLOSEOUT PANEL)

5400 DROP (BRN) THROUGH RCP-B (HALLWAY) TO GF1-1 (HALLWAY) FROM LOAD CENTER
1000 DROP (BRN) THROW IN WIRE #1 TO RCP-B (HALLWAY) FROM 4X4 BOX (CLOSEOUT PANEL)

5 ATS PANEL

4000 LOOP (PUR) THROUGH RCP-B (DESK) TO RCP-2 (DESK) FROM LOAD CENTER
6000 DROP (GLD) TO RCP-1 (WASHER/DRYER) FROM LOAD CENTER

- (78J) ELECTRICAL SYSTEM 50 AMP
- (265) CODES/STANDARDS-CSA/CMVSS
- (1B1) CODES/STANDARDS USA
- (12D) ELECTRICAL SYSTEM 30 AMP

(12D) (1B1) (265) (78J)



DFTR	ORIG. DATE
CHKR	ALL DIMENSIONS ARE IN MILLIMETERS
P.E.	
M.E.	FIRST USED
DSNR	04 G38G
UNSPECIFIED TOLERANCES ARE:	MATERIAL:
HOLE DIM (X)	:
ONE-PLACE (X.X)	:
TWO-PLACE (X.XX)	:
ANGLE	:
THIRD ANGLE PROJECTION	

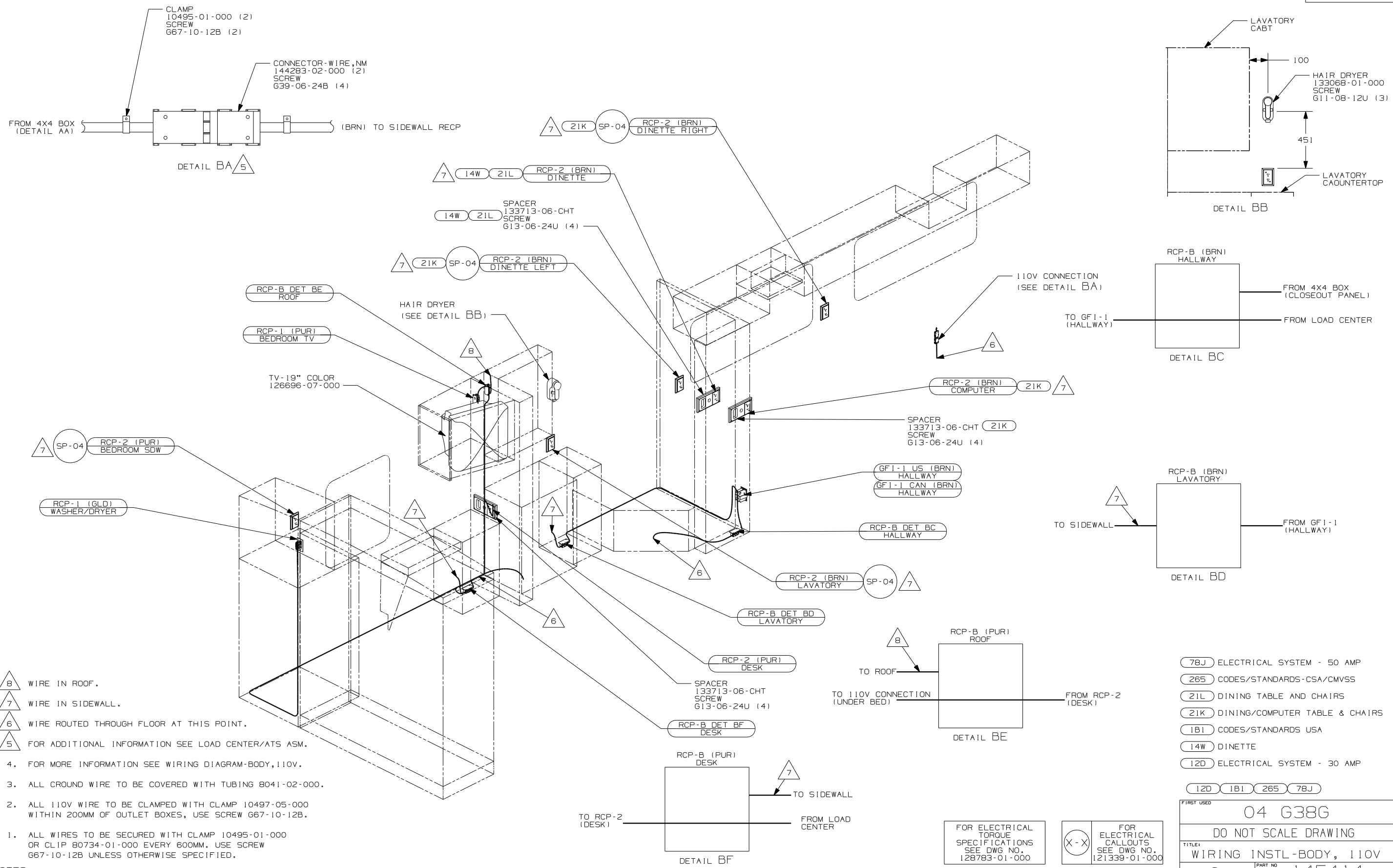
DO NOT SCALE DRAWING

TITLE:	WIRING INSTL-BODY, 110V
SHEET 1 of 4	PART NO 145414

FOR ELECTRICAL TORQUE SPECIFICATIONS SEE DWG NO. 128783-01-000

FOR ELECTRICAL CALLOUTS SEE DWG NO. 121339-01-000

- NOTES:
7. MOUNT 4X4 BOX ON CLOSEOUT PANEL OVER HOLE.
 6. WIRE PASSES THROUGH FLOOR AT THIS POINT.
 5. FOR MORE INFORMATION SEE LOAD CENTER/ATS ASM.
 4. FOR MORE INFORMATION SEE WIRING DIAGRAM-BODY,110V.
 3. ALL GROUND WIRE TO BE COVERED WITH TUBING 8041-02-000.
 2. ALL 110V WIRE TO BE CLAMPED WITH CLAMP 10497-05-000 WITHIN 200MM OF OUTLET BOXES, USE SCREW G67-10-12B.
 1. ALL WIRES TO BE SECURED WITH CLAMP 10495-01-000 OR CLIP 80734-01-000 EVERY 600MM. USE SCREW G67-10-12B UNLESS OTHERWISE SPECIFIED.



- △ 8 WIRE IN ROOF.
- △ 7 WIRE IN SIDEWALL.
- △ 6 WIRE ROUTED THROUGH FLOOR AT THIS POINT.
- △ 5 FOR ADDITIONAL INFORMATION SEE LOAD CENTER/ATS ASM.

4. FOR MORE INFORMATION SEE WIRING DIAGRAM-BODY, 110V.
3. ALL GROUND WIRE TO BE COVERED WITH TUBING 8041-02-000.
2. ALL 110V WIRE TO BE CLAMPED WITH CLAMP 10497-05-000 WITHIN 200MM OF OUTLET BOXES, USE SCREW 667-10-12B.
1. ALL WIRES TO BE SECURED WITH CLAMP 10495-01-000 OR CLIP 80734-01-000 EVERY 600MM. USE SCREW 667-10-12B UNLESS OTHERWISE SPECIFIED.

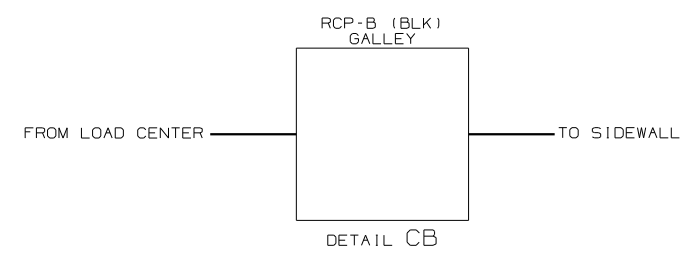
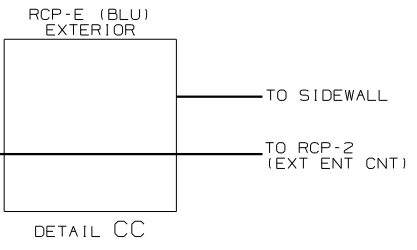
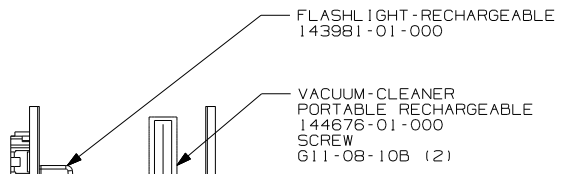
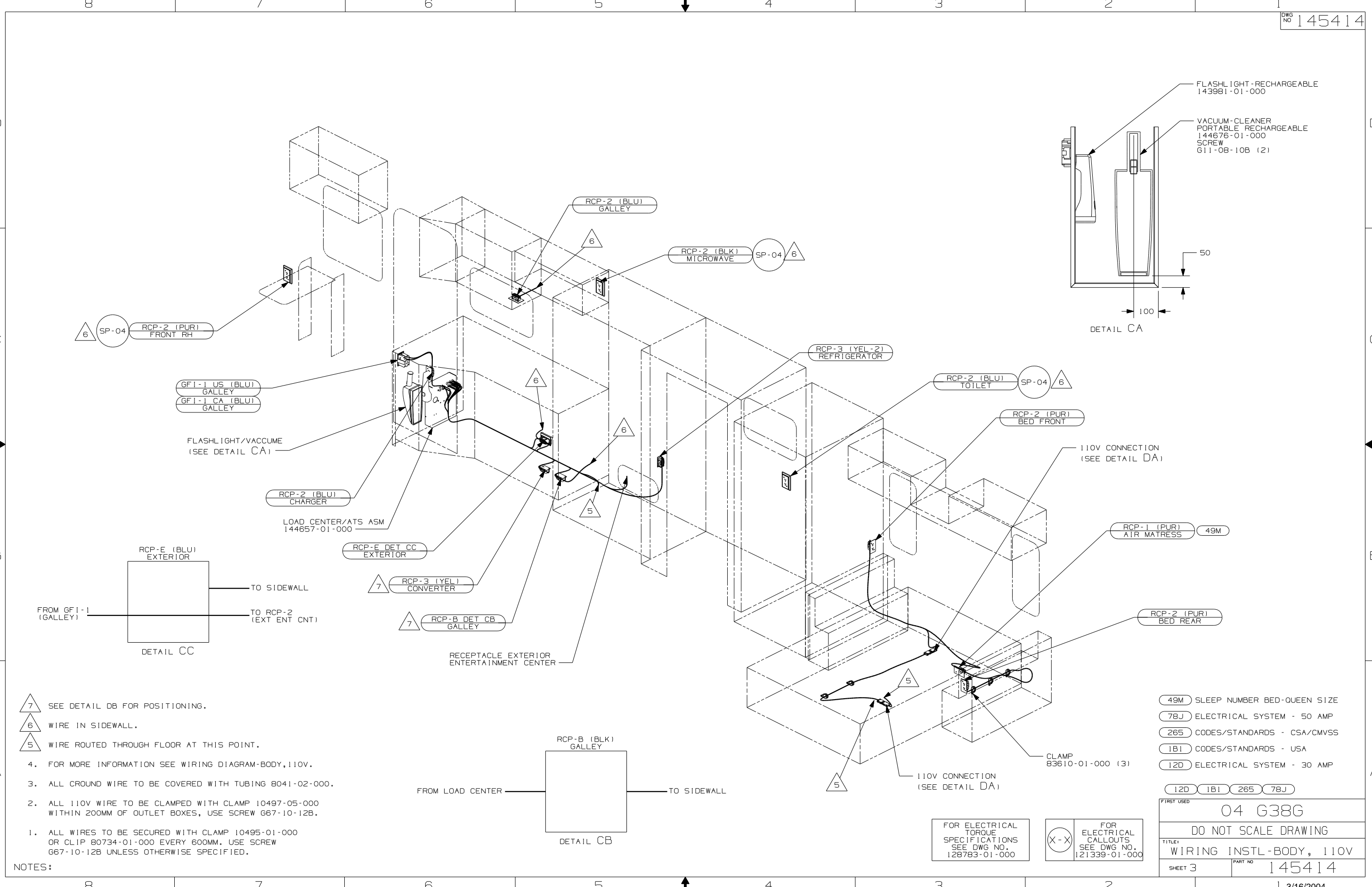
NOTES:

- (78J) ELECTRICAL SYSTEM - 50 AMP
- (265) CODES/STANDARDS-CSA/CMVSS
- (21L) DINING TABLE AND CHAIRS
- (21K) DINING/COMPUTER TABLE & CHAIRS
- (181) CODES/STANDARDS USA
- (14W) DINETTE
- (12D) ELECTRICAL SYSTEM - 30 AMP

FIRST USED	
04 G38G	
DO NOT SCALE DRAWING	
TITLE:	
WIRING INSTL-BODY, 110V	
SHEET 2	PART NO
	145414

FOR ELECTRICAL TORQUE SPECIFICATIONS SEE DWG NO. 128783-01-000

FOR ELECTRICAL CALLOUTS SEE DWG NO. 121339-01-000



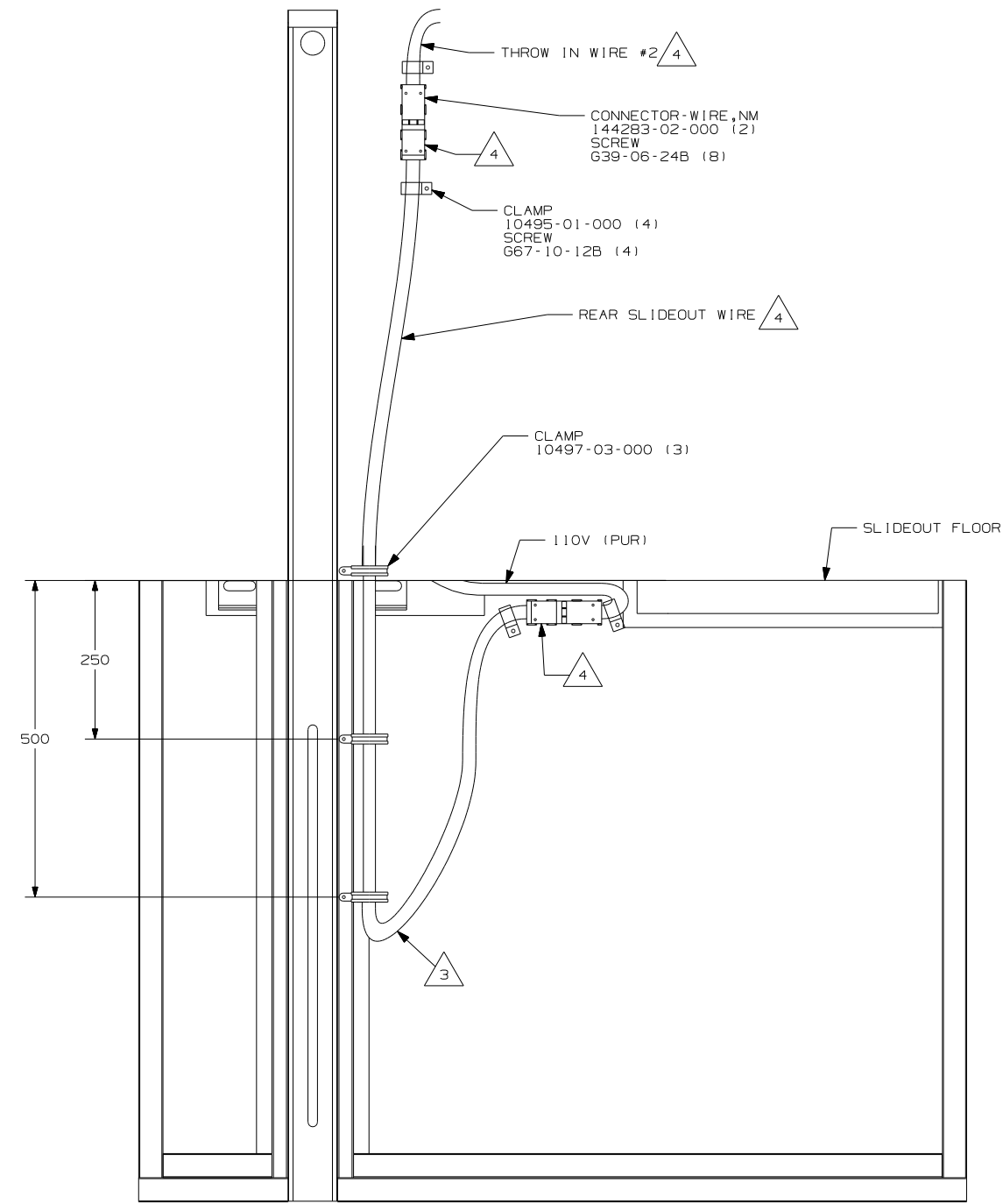
- NOTES:
- 7 SEE DETAIL DB FOR POSITIONING.
 - 6 WIRE IN SIDEWALL.
 - 5 WIRE ROUTED THROUGH FLOOR AT THIS POINT.
 - 4. FOR MORE INFORMATION SEE WIRING DIAGRAM-BODY,110V.
 - 3. ALL GROUND WIRE TO BE COVERED WITH TUBING 8041-02-000.
 - 2. ALL 110V WIRE TO BE CLAMPED WITH CLAMP 10497-05-000 WITHIN 200MM OF OUTLET BOXES, USE SCREW 667-10-12B.
 - 1. ALL WIRES TO BE SECURED WITH CLAMP 10495-01-000 OR CLIP 80734-01-000 EVERY 600MM. USE SCREW 667-10-12B UNLESS OTHERWISE SPECIFIED.

- 49M SLEEP NUMBER BED-QUEEN SIZE
- 78J ELECTRICAL SYSTEM - 50 AMP
- 265 CODES/STANDARDS - CSA/CMVSS
- 1B1 CODES/STANDARDS - USA
- 12D ELECTRICAL SYSTEM - 30 AMP

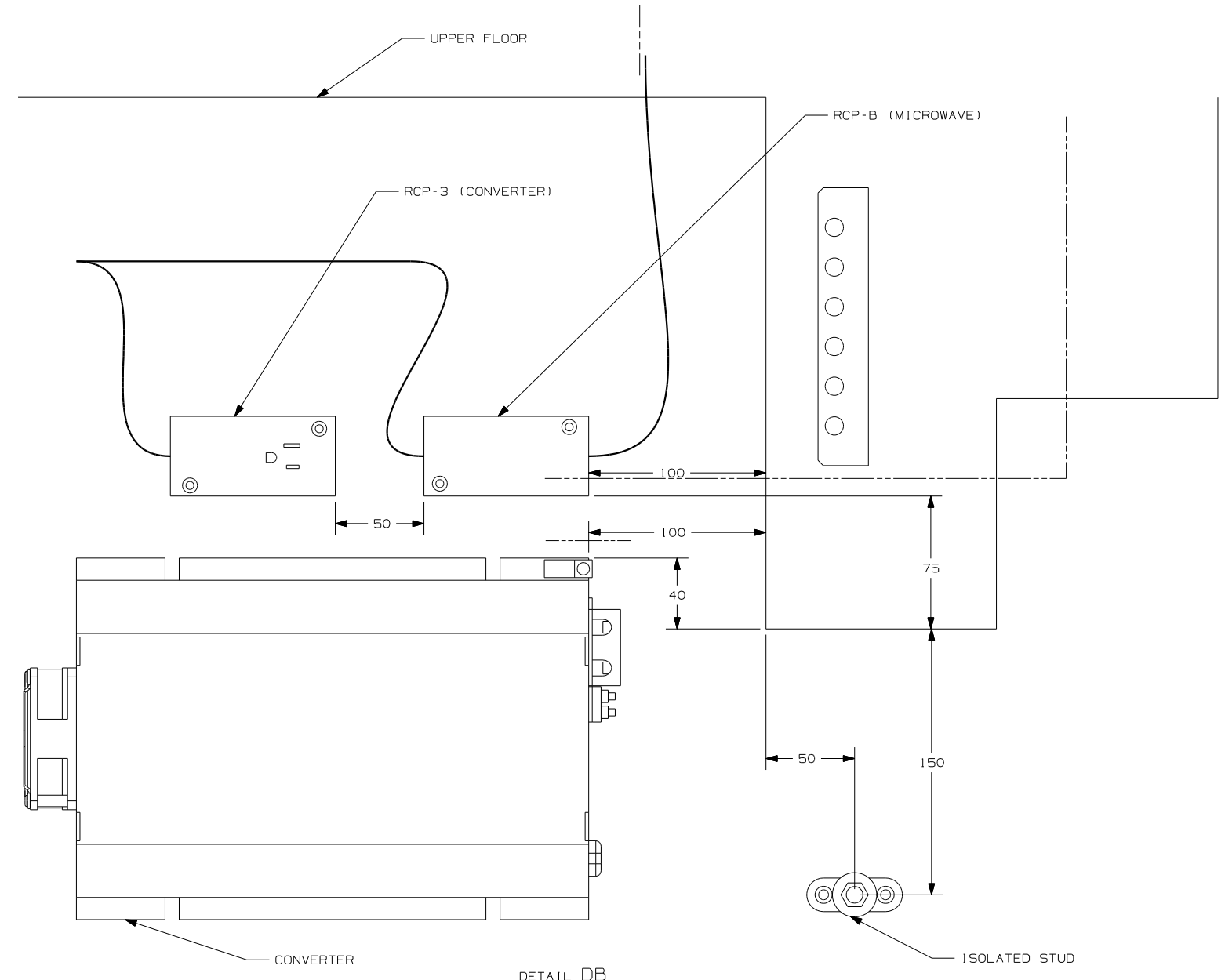
FOR ELECTRICAL TORQUE SPECIFICATIONS SEE DWG NO. 128783-01-000

FOR ELECTRICAL CALLOUTS SEE DWG NO. 121339-01-000

FIRST USED	
04 G38G	
DO NOT SCALE DRAWING	
TITLE: WIRING INSTL-BODY, 110V	
SHEET 3	PART NO 145414



DETAIL DA 4



DETAIL DB

- 4 FOR MORE INFORMATION SEE LOAD CENTER/ATS ASM.
- 3 MAKE THE LOOP AS SMALL AS POSSIBLE WHEN SLIDEOUT IS COMPLETELY RETRACTED.
- 2. RUN 12V WIRE ALONG WITH REAR SLIDEOUT WIRE.
- 1. WIRE MUST BE ROUTED THROUGH CLAMPS AS SHOWN.

NOTES:

- 78J ELECTRICAL SYSTEM - 50 AMP
- 265 CODES/STANDARDS - CSA/CMVSS
- 1B1 CODES/STANDARDS - USA
- 12D ELECTRICAL SYSTEM - 30 AMP

12D 1B1 265 78J

FIRST USED 04 G38G

DO NOT SCALE DRAWING

TITLE: WIRING INSTL-BODY, 110V

SHEET 4 PART NO 145414

FOR ELECTRICAL TORQUE SPECIFICATIONS SEE DWG NO. 128783-01-000

(X-X) FOR ELECTRICAL CALLOUTS SEE DWG NO. 121339-01-000