



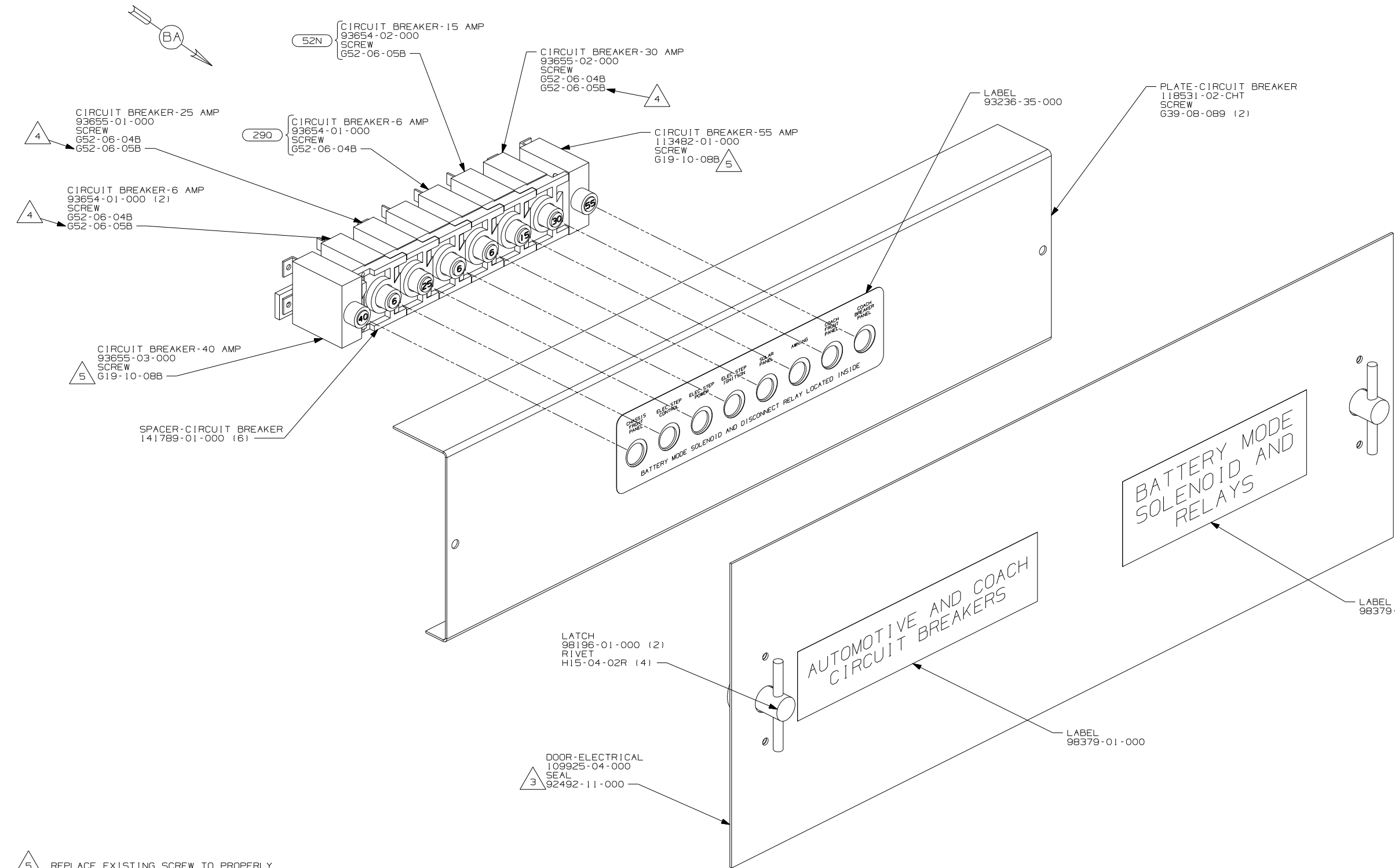
DANGER

Danger of electrical shock, burns or death. Always remove all power sources before attempting any repair, service or diagnostic work. Power can be present from shore power, generator, inverter or battery. All power sources must be disabled and secured before performing any service.



CAUTION

If you lack the skills, tools or equipment to perform diagnostic or repair work leave such work to an authorized Winnebago Industries dealer or other qualified shop.



- 5 REPLACE EXISTING SCREW TO PROPERLY ATTACH BREAKER TO BUSS BAR.
- 4 USE THE LONGER SCREW TO PROPERLY ATTACH BREAKER TO BUSS BAR.
- 3 PLACE AROUND ENTIRE PERIMETER OF DOOR WITH SEAM AT BOTTOM.

2. SECURE CONDUIT 41953-09, -10, -11, -13, AND -14 OVER ALL WIRES IN CONTACT WITH SHARP EDGES.

1. LEGEND: — WINNEBAGO: - - - - - CABLE: - - - - - CHASSIS SUPPLIED WIRING.

- 290 SOLAR PANEL - 10 WATT
- 52N AWNING - PATIO, ELECTRIC
- 265 CODES/STANDARDS - CSA/CMVSS
- 1B1 CODES/STANDARDS - USA

1B1 265

WINNEBAGO COPYRIGHT 2004 WINNEBAGO INDUSTRIES, INC.

DFTR	ORIG. DATE
CHKR	ALL DIMENSIONS ARE IN MILLIMETERS
P.E.	
M.E.	FIRST USED
DSNR	04 F & G-SERIES

UNSPECIFIED TOLERANCES ARE: MATERIAL:

WHOLE DIM (X) :
ONE-PLACE (X.X) :
TWO-PLACE (X.XX) :
ANGLE :

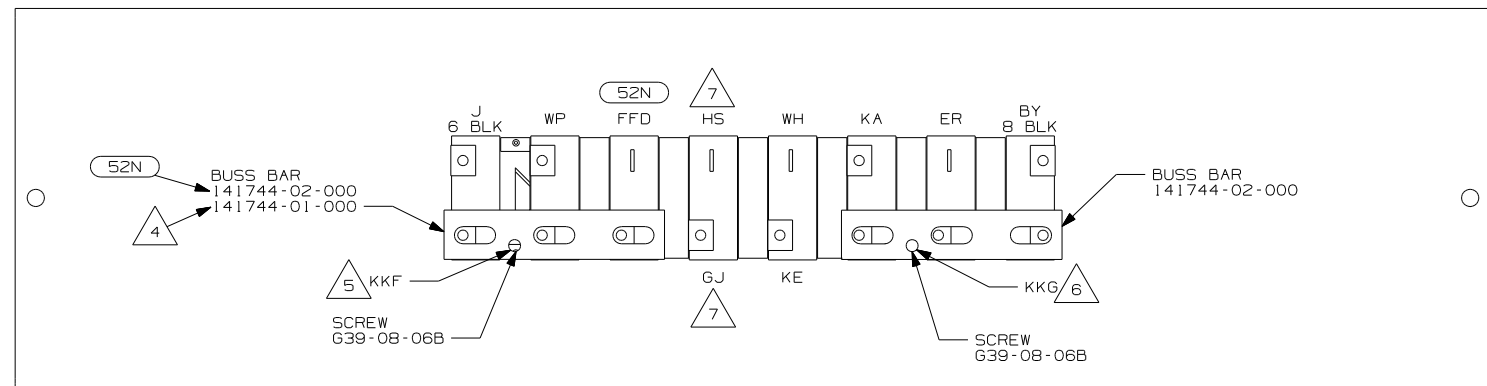
THIRD ANGLE PROJECTION

DO NOT SCALE DRAWING

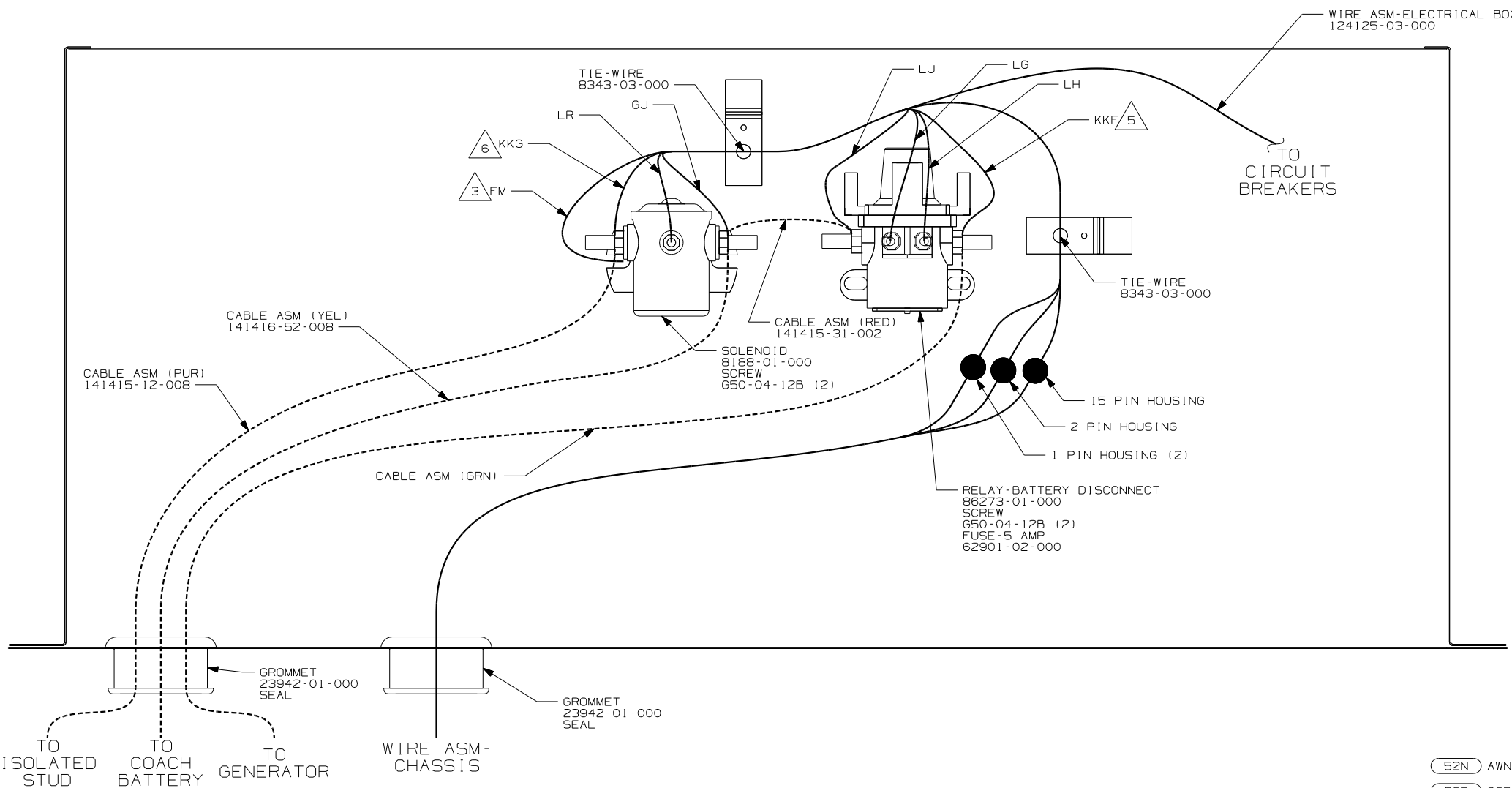
TITLE: CHASSIS ELECTRICAL BOX ASM

SHEET 1 OF 2 PART NO 146761

REF: 141254 1 3/1/2005



DETAIL BA



- 7 IF CIRCUIT IS NOT USED, TAPE BACK TO HARNESS.
- 6 WIRE MARKED WITH PURPLE TAPE.
- 5 WIRE MARKED WITH YELLOW TAPE.
- 4 WITHOUT 52N
- 3 SECURE WITH SOLENOID MOUNTING SCREW.

2. SECURE CONDUIT 41953-09, -10, -11, -13, AND -14 OVER ALL WIRES IN CONTACT WITH SHARP EDGES.

1. LEGEND: — WINNEBAGO: - - - - - CABLE: - - - - - CHASSIS SUPPLIED WIRING.

NOTES:

52N AWNING - PAT10, ELECTRIC
 265 CODES/STANDARDS - CSA/CMVSS
 1B1 CODES/STANDARDS - USA

1B1 265	
FIRST USED	
04 F & G-SERIES	
DO NOT SCALE DRAWING	
TITLE:	
CHASSIS ELECTRICAL BOX ASM	
SHEET 2	PART NO 146761