



**DANGER**

**Danger of electrical shock, burns or death.** Always remove all power sources before attempting any repair, service or diagnostic work. Power can be present from shore power, generator, inverter or battery. All power sources must be disabled and secured before performing any service.

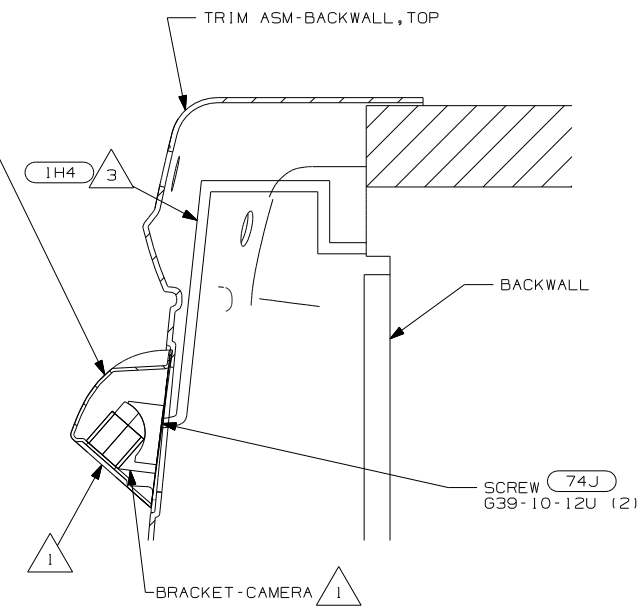
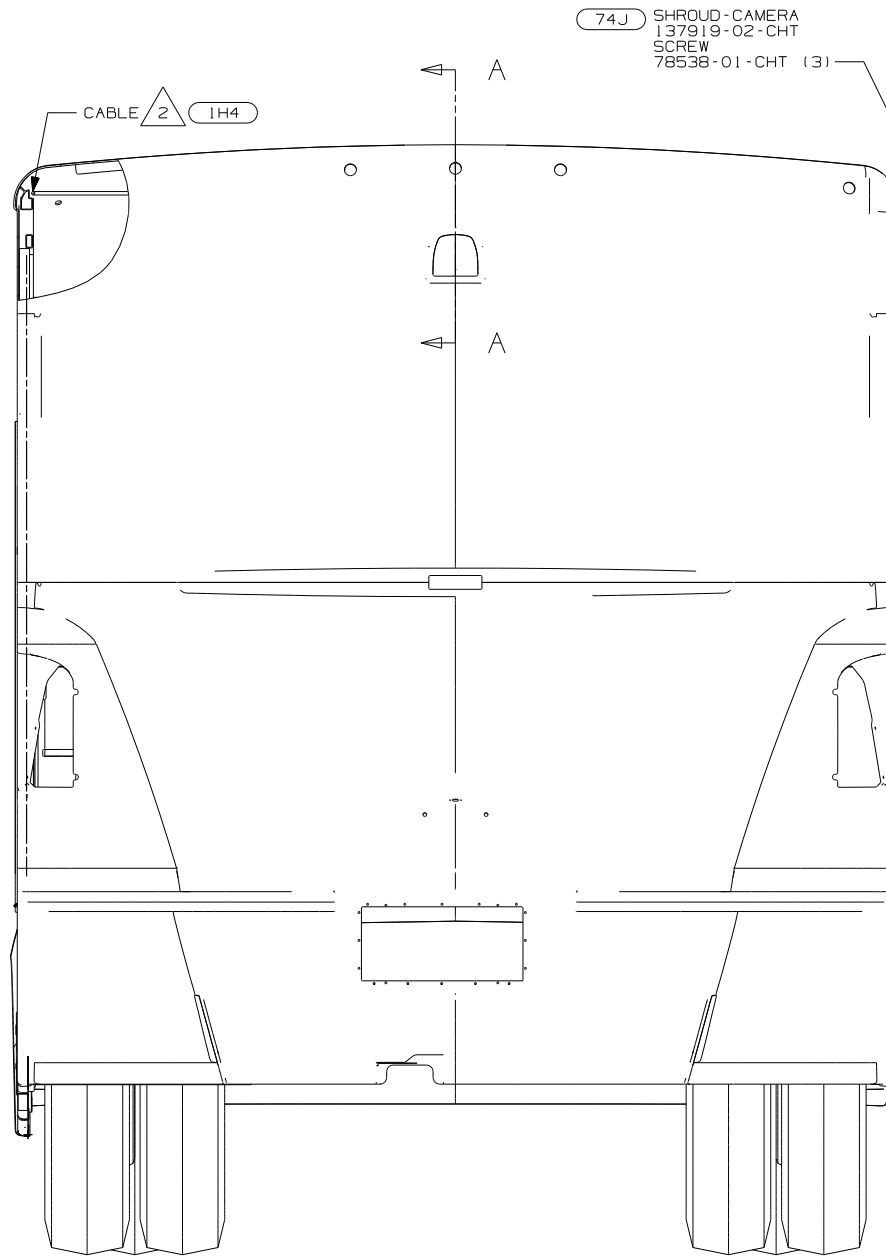
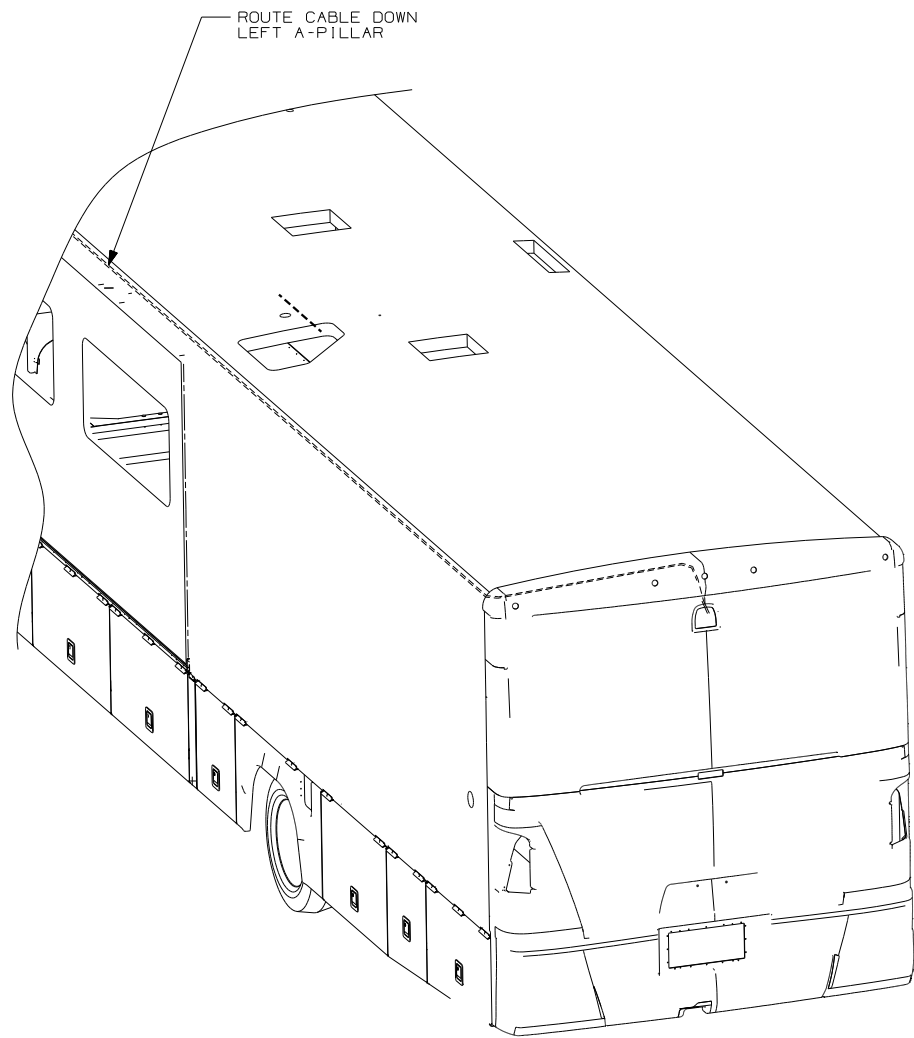


**CAUTION**

If you lack the skills, tools or equipment to perform diagnostic or repair work leave such work to an authorized Winnebago Industries dealer or other qualified shop.

DRAWING NO.	SHEET	SERIES
145349-01	1,3	G
145349-02	2,3	F

RELEASE	REV DATE	DWG NO	145349
REV ZONE	REVISION RECORD	DATE	DFTR-0R16

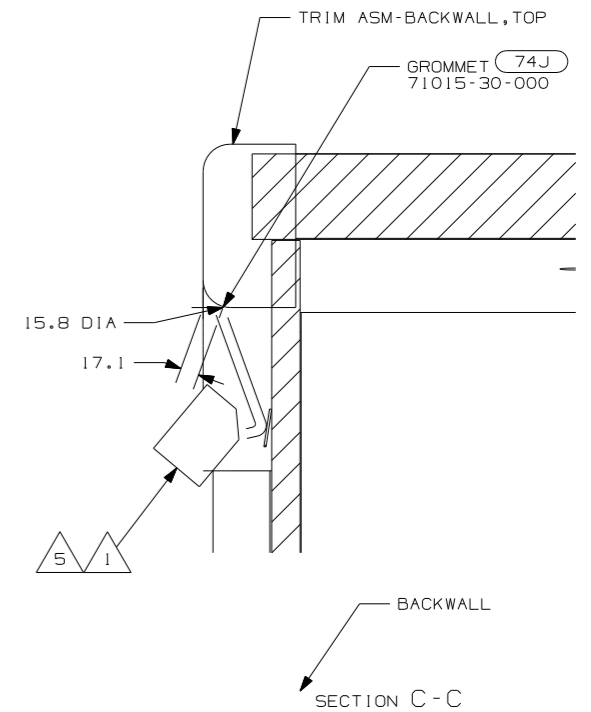
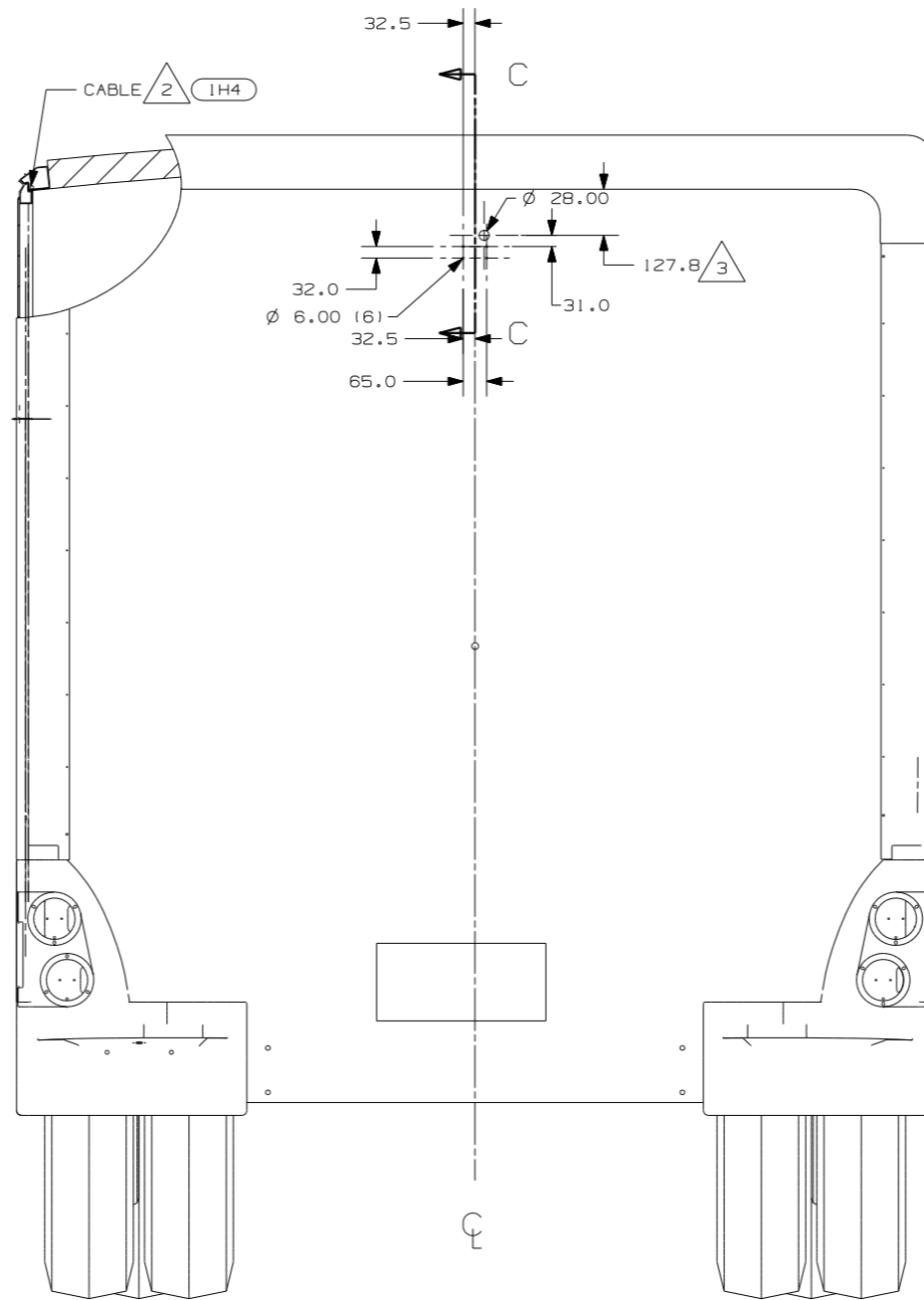
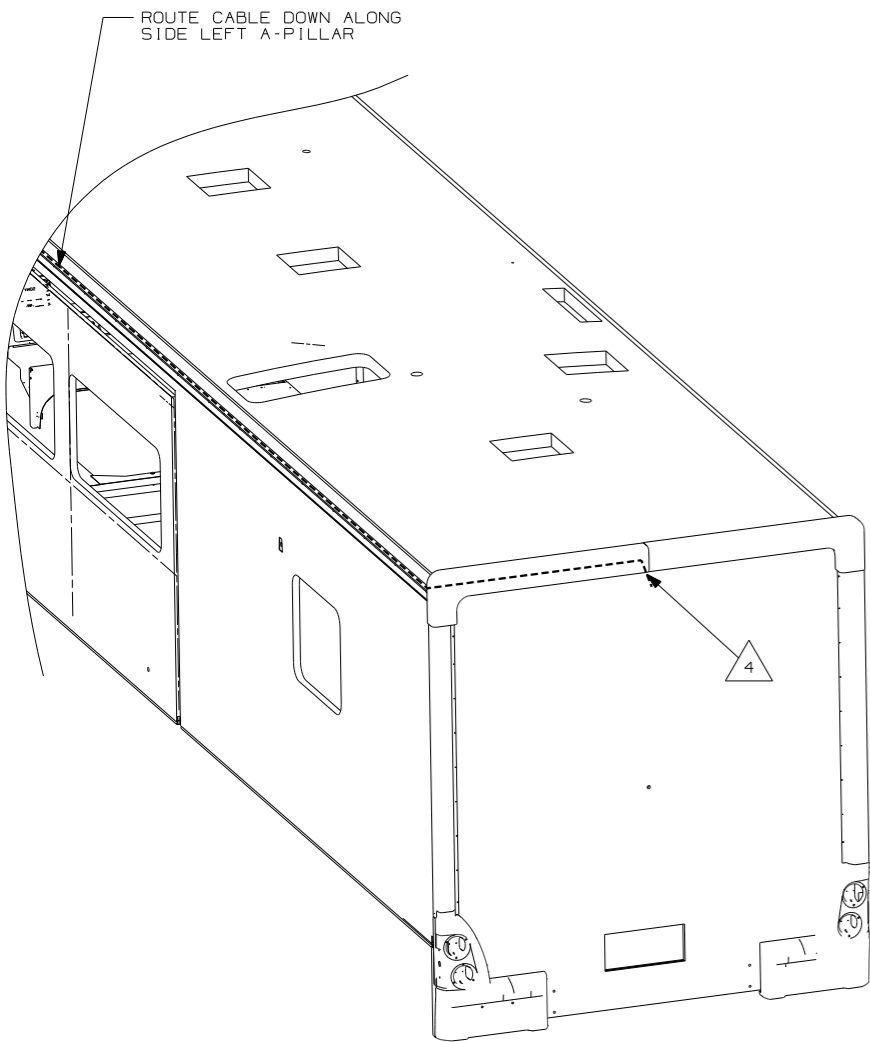


SECTION A - A

- (74J) REARVIEW MONITOR SYSTEM
- (IH4) REARVIEW MONITOR-WIRE PREP
- (IA5) REARVIEW MONITOR SYSTEM W/O

- NOTES:
- 3 END STANDARD CABLE IN THIS AREA ON UNITS WITHOUT MONITOR. (IA5) (IH4)
  - 2 RUN CABLE THRU LEFT HAND COVE TO REAR OF UNIT. STANDARD ON ALL UNITS WITH (IA5) (IH4) (74J)
  - 1 PARTS SUPPLIED WITH CAMERA KIT P/N 143363-05-000. (74J)

<b>WINNEBAGO</b>		COPYRIGHT 2003 WINNEBAGO INDUSTRIES, INC.	
DFTR	ORIG. DATE	ALL DIMENSIONS ARE IN MILLIMETERS	
CHKR		FIRST USED	
P.E.		04 F & G-SER	
M.E.		UNSPECIFIED TOLERANCES ARE:	
DSNR		MATERIAL:	
		WHOLE DIM (X)	: 1
		ONE-PLACE (X.X)	: 1.5
		TWO-PLACE (X.XX)	: 0.50
		ANGLE	: 1°
THIRD ANGLE PROJECTION			
DO NOT SCALE DRAWING			
TITLE: MONITOR INSTL			
SHEET 1 OF 3		PART NO 145349	
REF: 141326-C1 08/29/03			



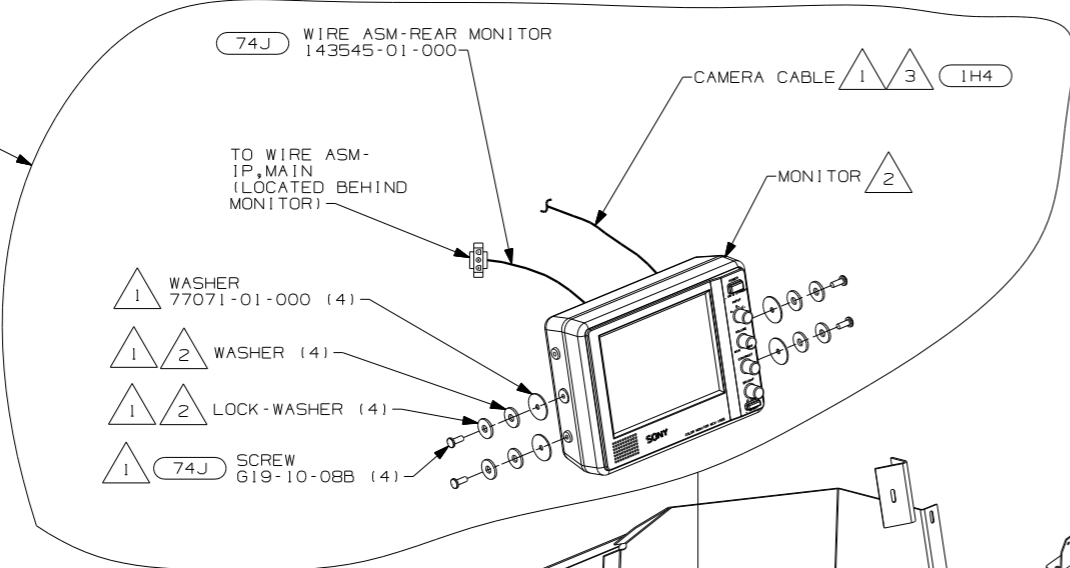
- NOTES:
- 5 PARTS SUPPLIED WITH CAMERA KIT P/N 93040-09-000. (74J) WINNEBAGO
  - 4 END CABLE IN THIS AREA ON UNITS W/O MONITOR.
  - 3 MEASURED FROM BOTTOM BACKWALL TRIM.
  - 2 RUN CABLE THRU LEFT HAND COVE TO REAR OF UNIT. STANDARD ON ALL UNITS WITH (1A5) (IH4) (74J)
  - 1 PARTS SUPPLIED WITH CAMERA KIT P/N 143363-05-000. (74J) ITASCA

- (74J) REARVIEW MONITOR SYSTEM
- (IH4) REARVIEW MONITOR-WIRE PREP
- (1A5) REARVIEW MONITOR SYSTEM W/O

04 F & G-SER

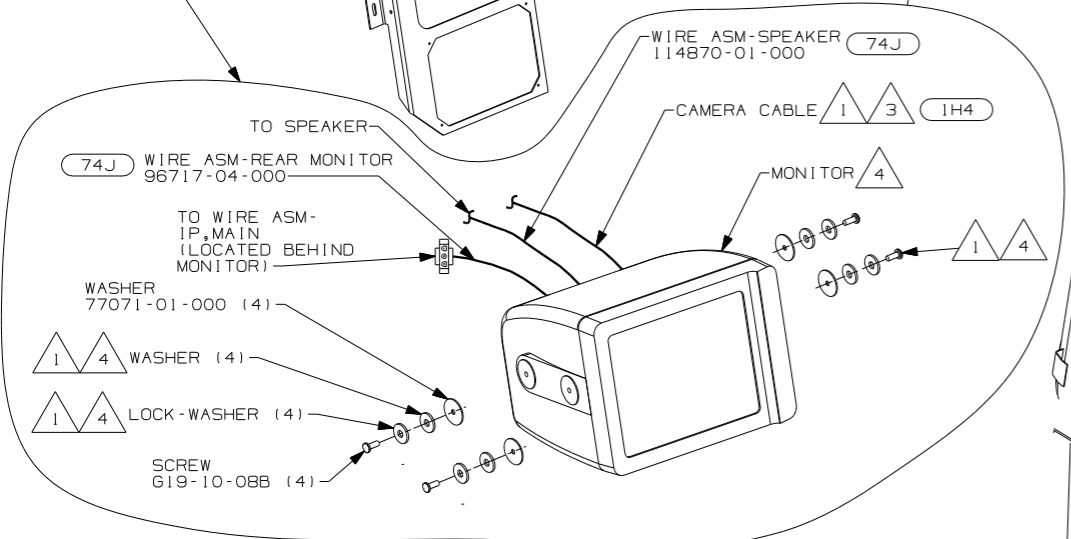
MONITOR INSTL

74J G AND ITASCA F



CABLE 1H4  
143363-03-000 - STANDARD ON ALL G'S AND ITASCA F  
93041-01-000 - STANDARD ON ALL WINNEBAGO F

74J WINNEBAGO F



SPEAKER  
98819-01-000  
GRILLE  
93214-01-CHT  
SCREW  
G13-07-12U (4)  
(WINNEBAGO F ONLY)

- 74J REARVIEW MONITOR SYSTEM
- 1H4 REARVIEW MONITOR-WIRE PREP
- 1A5 REARVIEW MONITOR SYSTEM W/O

- 4 PARTS SUPPLIED WITH MONITOR P/N 93040-10-000. 74J WINNEBAGO F
- 3 END CABLE IN THIS AREA ON UNITS W/O MONITOR. 1A5 1H4
- 2 PARTS SUPPLIED WITH MONITOR P/N 143363-01-000. 74J G AND ITASCA F
- 1 SEE REARVIEW MONITOR KIT INSTALLATION INSTRUCTIONS FOR MORE DETAILS.

NOTES:

04 F & G-SER

MONITOR INSTL