

- 8 TRIM P-TRAP EXTENSION TO FIT.
- 7 VALVE TERMINATION TEE TO BE POSITIONED AT 10° DOWN AND OUTBOARD.
- 6. SEAL AROUND SHOWER WITH SILICONE.
- 5. ALL EXTERIOR OPENINGS AROUND PIPE TO BE SEALED WITH 110744-01-000.
- 4. ALL PIPE AND FITTING TO BE ASSEMBLED WITH SOLVENT 4020-01-000.
- 3. SLOPE OF TRAP ARM MUST BE 6 PER 305 mm.
- 2. SLOPE OF HORIZONTAL PIPING TO BE 6 PER 305 mm.
- 1 VENT PIPE MUST PROJECT 51 MIN AND 64 MAX ABOVE ROOF FOR PROPER FIT.

NOTES:

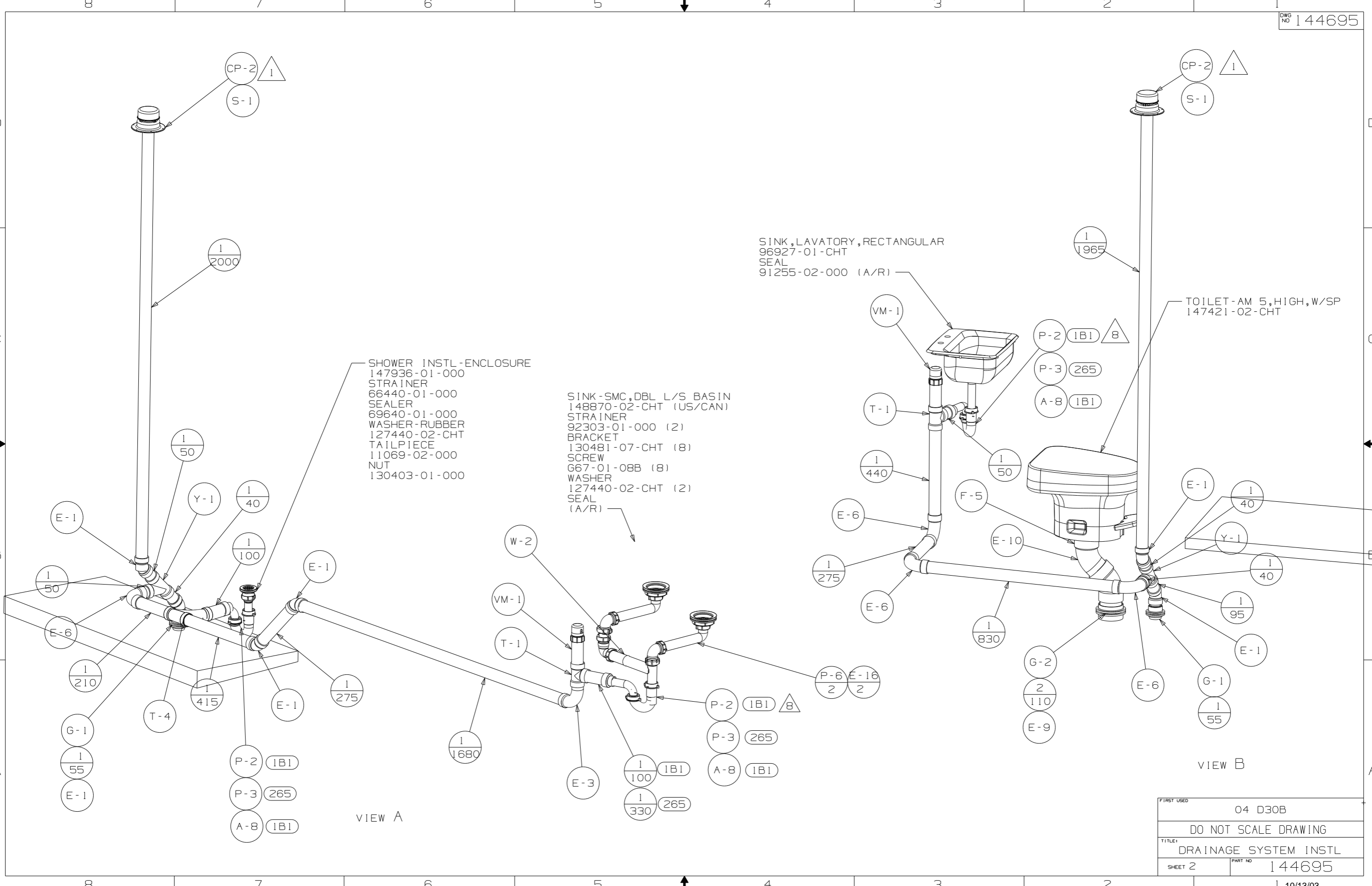
FRONT OF COACH

(265) CODES/STDS-CSA/CMVSS  
 (1B1) CODES/STANDARDS-USA

<b>WINNEBAGO</b>		COPYRIGHT 2003 WINNEBAGO INDUSTRIES, INC.	
D/FR	ORIG. DATE	ALL DIMENSIONS ARE IN MILLIMETERS	
CHKR		FIRST USED	
P.E.		04 D30B	
M.E.		UNSPECIFIED TOLERANCES ARE:	
DSNR		MATERIAL:	
		WHOLE DIM (X)	: 3
		ONE-PLACE (X.X)	:
		TWO-PLACE (X.XX)	:
		ANGLE	:
		THIRD ANGLE PROJECTION	
DO NOT SCALE DRAWING			
TITLE: DRAINAGE SYSTEM INSTL			
SHEET 1 OF 3	PART NO	144695	
REF:141411 1 10/13/03			

FOR  
DRAINAGE  
CALLOUTS  
SEE DWG NO  
116229-01-000

(X-X)



SHOWER INSTL-ENCLOSURE  
 147936-01-000  
 STRAINER  
 66440-01-000  
 SEALER  
 69640-01-000  
 WASHER-RUBBER  
 127440-02-CHT  
 TAILPIECE  
 11069-02-000  
 NUT  
 130403-01-000

SINK-SMC, DBL L/S BASIN  
 148870-02-CHT (US/CAN)  
 STRAINER  
 92303-01-000 (2)  
 BRACKET  
 130481-07-CHT (8)  
 SCREW  
 G67-01-08B (8)  
 WASHER  
 127440-02-CHT (2)  
 SEAL (A/R)

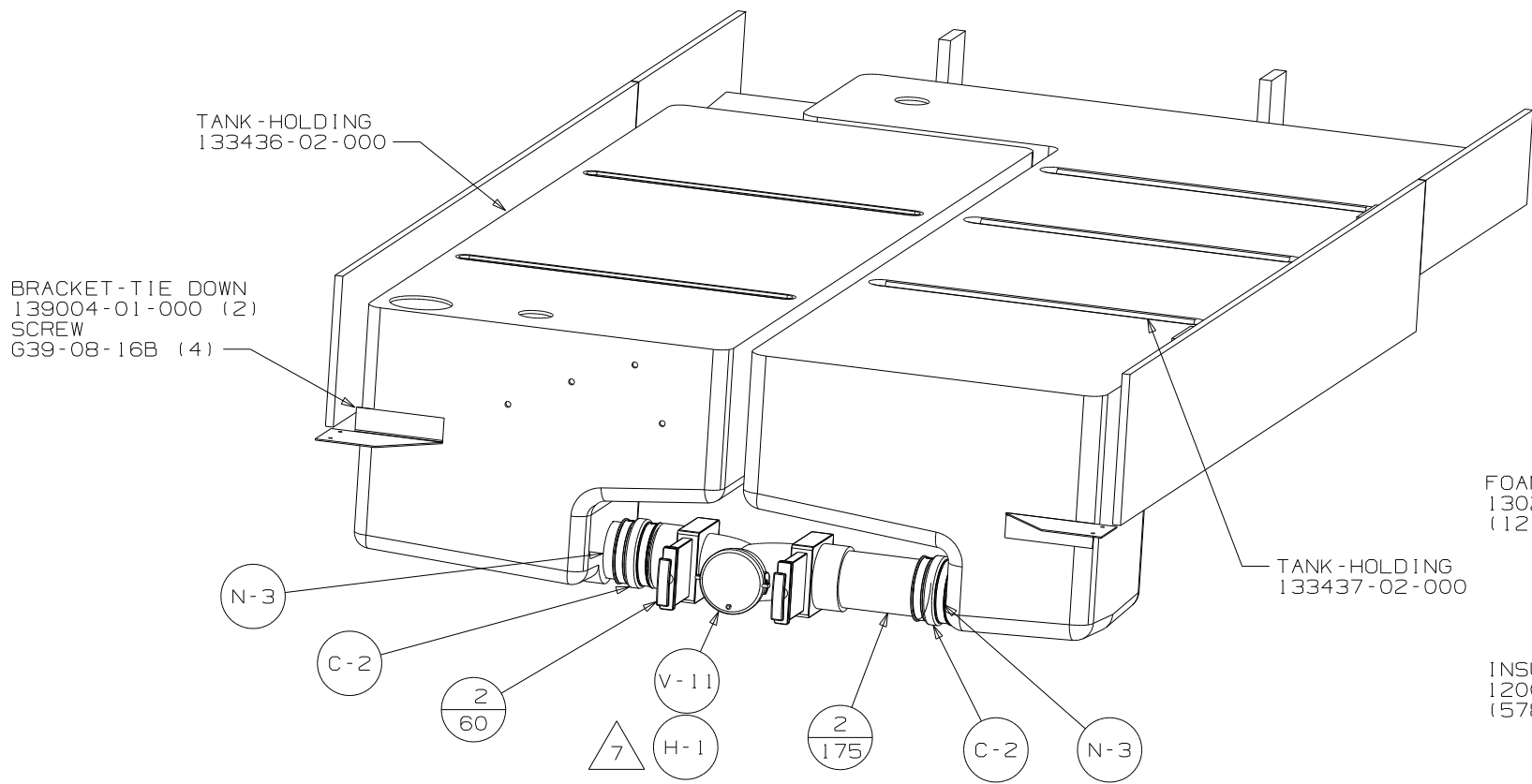
SINK, LAVATORY, RECTANGULAR  
 96927-01-CHT  
 SEAL  
 91255-02-000 (A/R)

TOILET-AM 5, HIGH, W/SP  
 147421-02-CHT

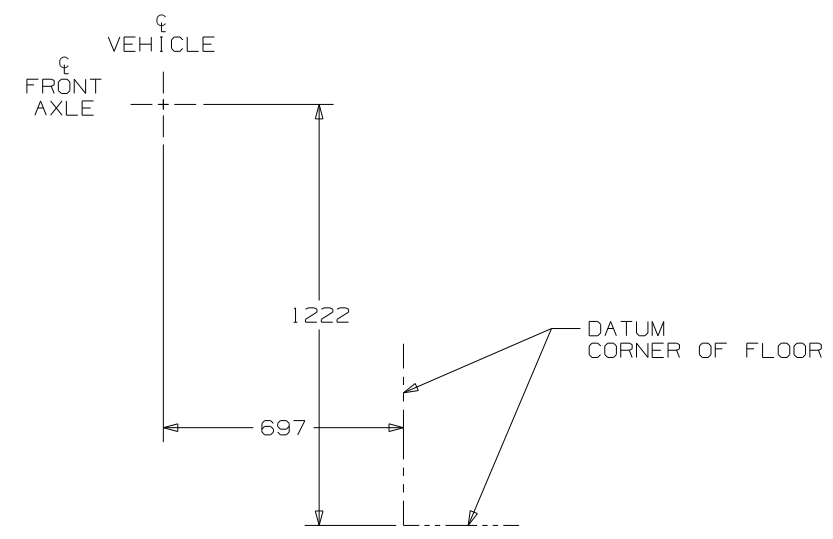
VIEW A

VIEW B

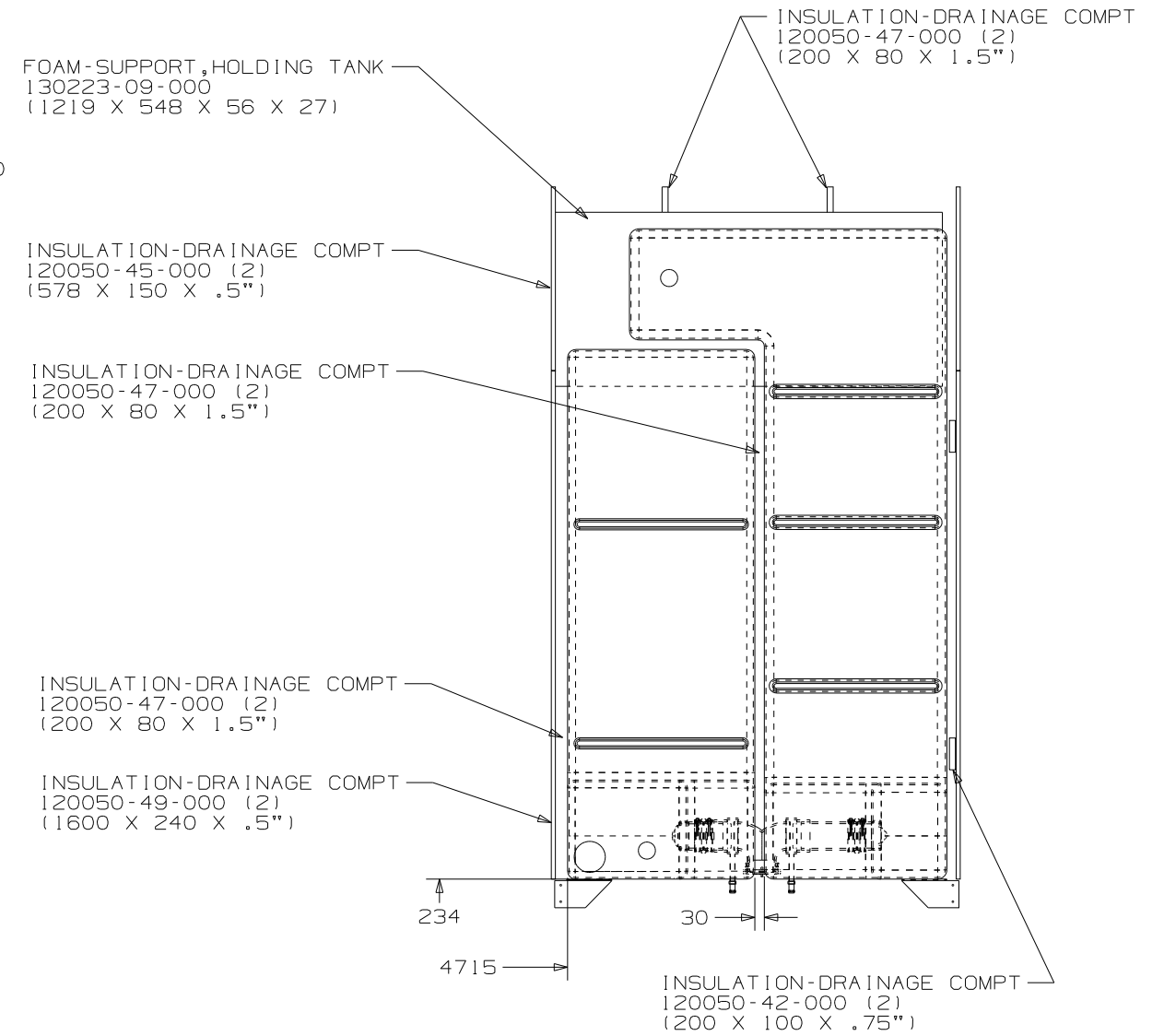
FIRST USED	04 D30B
DO NOT SCALE DRAWING	
TITLE:	DRAINAGE SYSTEM INSTL
SHEET 2	PART NO 144695



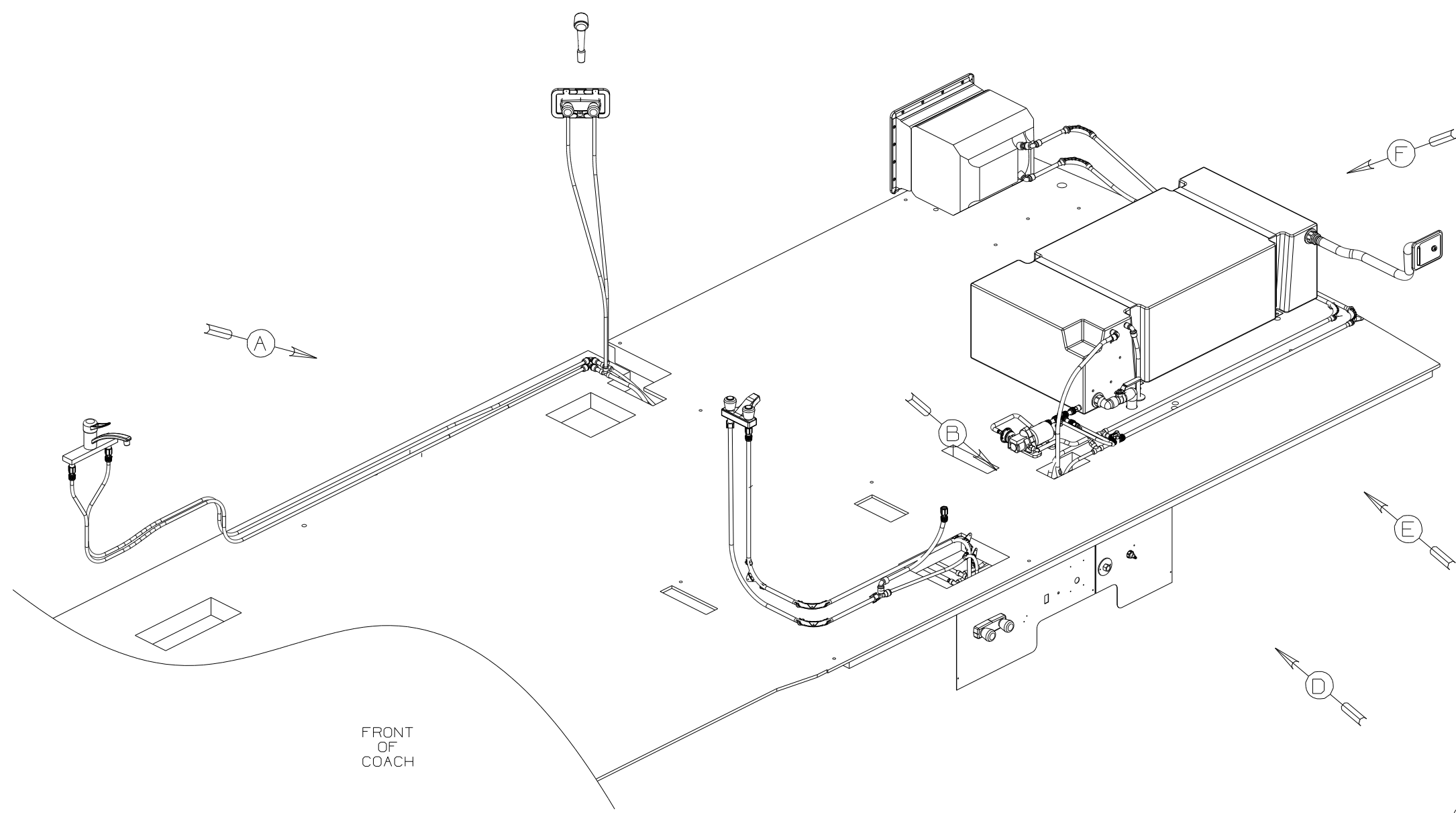
VIEW C



VIEW D



FIRST USED	04 D30B
TITLE	DO NOT SCALE DRAWING DRAINAGE SYSTEM INSTL
SHEET 3	PART NO 144695



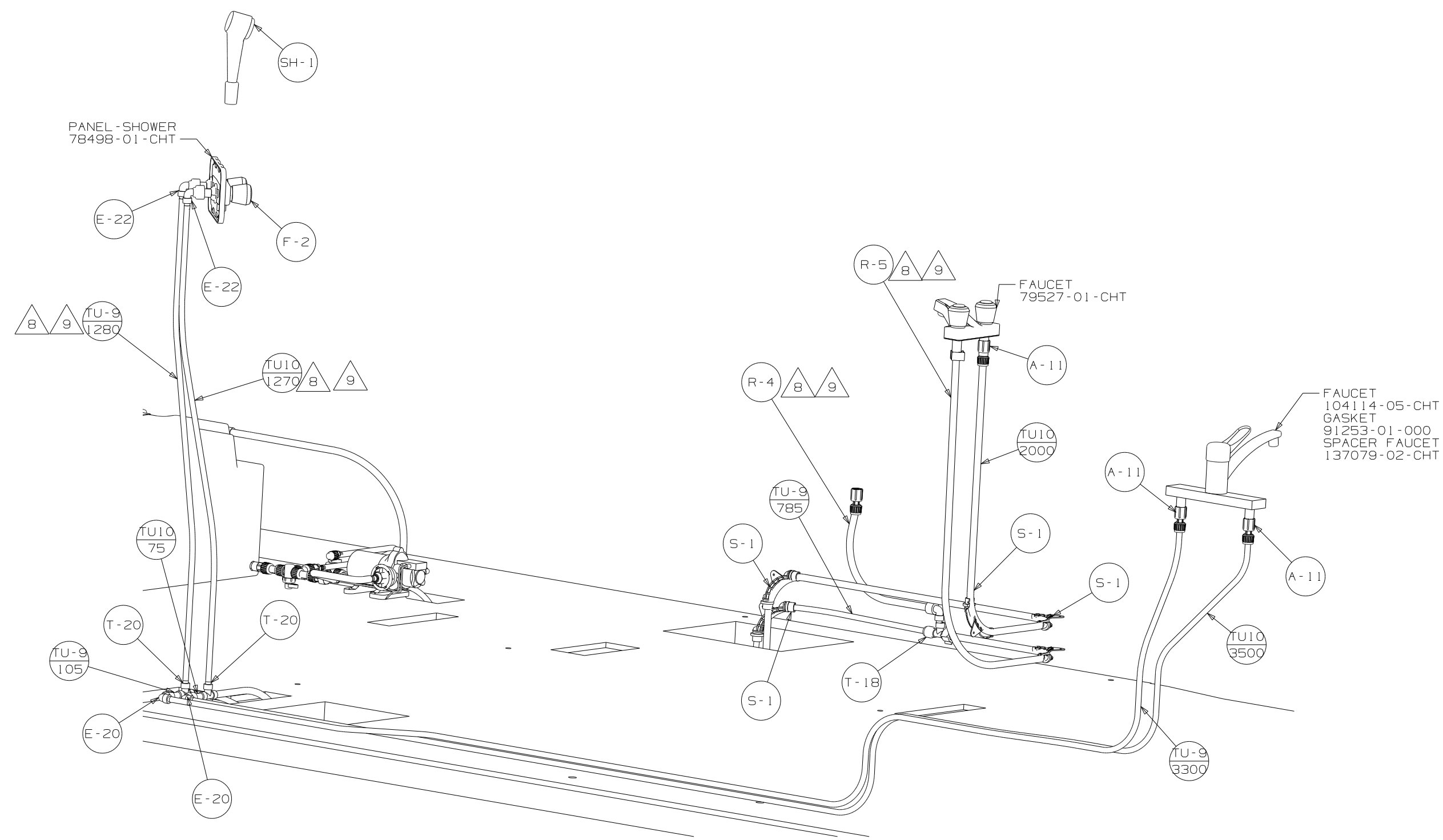
FRONT  
OF  
COACH

- NOTES:
- 1. PLASTIC FITTINGS TO BE SEALED WITH SEALANT 84456-01-000.
  - 2. TUBING TO BE INSTALLED WITH SUFFICIENT SLOPE TO PROVIDE DRAINAGE TO NEAREST VALVE.
  - 3. ALL TUBING TO BE SECURED AT 1200 INTERVALS MAXIMUM WITH CLAMP 10495-01-000 OR CLIP 9151-01-000 AND SCREW G67-10-12B.
  - 4. CLAMPS MUST BE ON BARBS.
  - 5. ADD TEFLON TAPE 10405-02-000 TO FITTING.
  - 6. ADD TEFLON TAPE 10405-03-000 TO FITTING.
  - 7. ADD TEFLON TAPE 10405-01-000 TO FITTING.
  - 8. TAPE FITTING TO TUBE BEFORE CABINET SET, TO PREVENT FITTING FROM MOVING.
  - 9. LABEL THE HOT AND COLD SUPPLY TUBES.
  - 10. ADD PIPE WRAP (LADDER SCRAP) INSULATION HERE.

- (64R) EXTERIOR WASH STATION
- (1J4) EXTERIOR WASH STATION W/O
- (611) MOTORAID & AUX HEATER

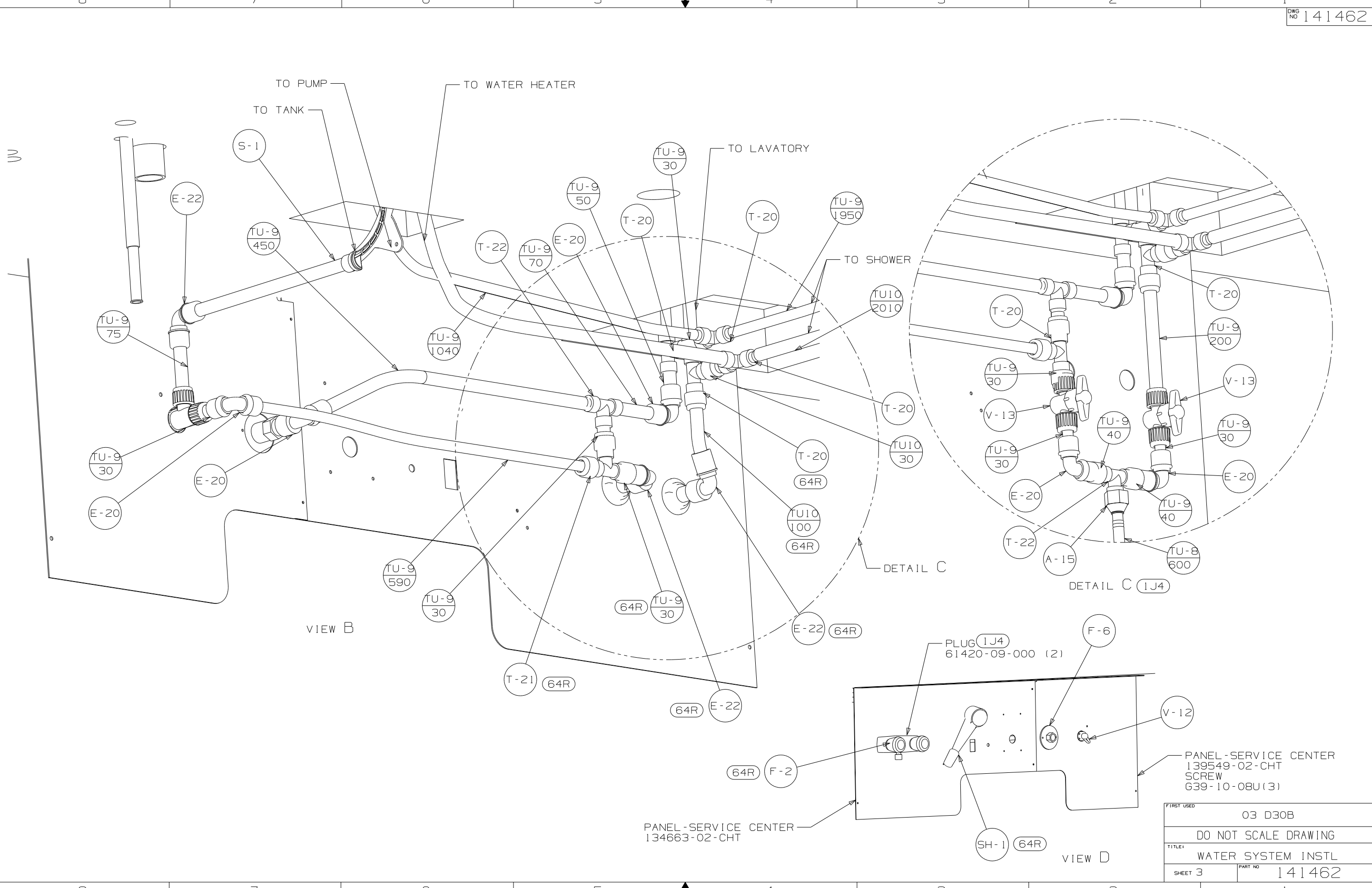
FOR  
WATER  
CALLOUTS  
SEE DWG NO  
116230-01-000

<b>WINNEBAGO</b>		COPYRIGHT 2004 WINNEBAGO INDUSTRIES, INC.	
DFT-016	ORIG. DATE	ALL DIMENSIONS ARE IN MILLIMETERS	
CHKR		FIRST USED	
P.E.		03 D30B	
M.E.		UNSPECIFIED TOLERANCES ARE:	
DSNR		MATERIAL:	
		WHOLE DIM (X)	: 1
		ONE-PLACE (X.X)	: :
		TWO-PLACE (X.XX)	: :
		ANGLE	: :
THIRD ANGLE PROJECTION		DO NOT SCALE DRAWING	
TITLE: WATER SYSTEM INSTL			
SHEET 1 OF 4		PART NO 141462	



VIEW A

FIRST USED	03 D30B
DO NOT SCALE DRAWING	
TITLE	WATER SYSTEM INSTL
SHEET 2	PART NO 141462



TO PUMP  
TO TANK  
TO WATER HEATER

TO LAVATORY

TO SHOWER

VIEW B

DETAIL C

DETAIL C (1J4)

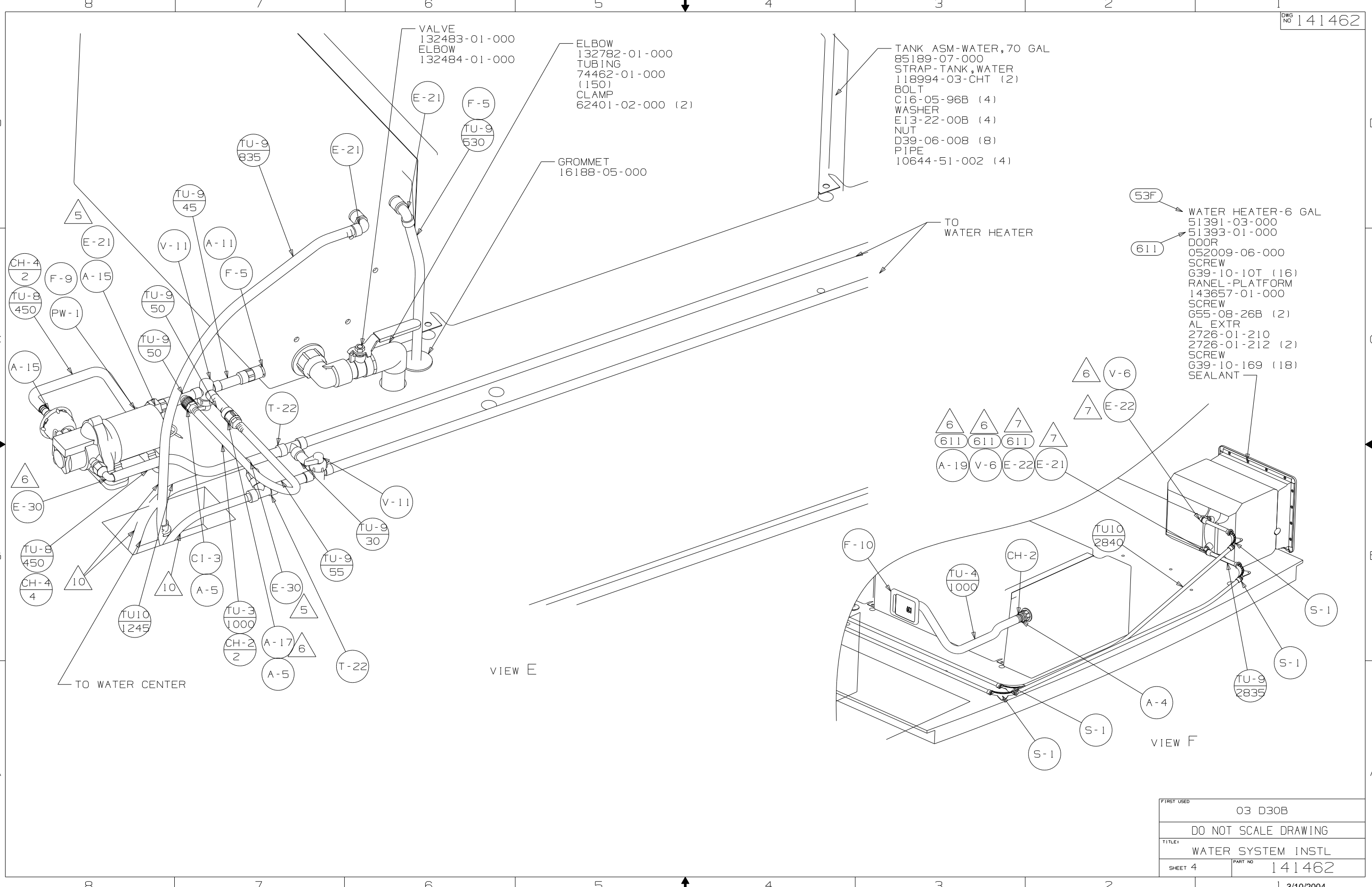
PANEL-SERVICE CENTER  
134663-02-CHT

PLUG (1J4)  
61420-09-000 (2)

PANEL-SERVICE CENTER  
139549-02-CHT  
SCREW  
G39-10-08U (3)

VIEW D

FIRST USED	03 D30B
TITLE	DO NOT SCALE DRAWING
TITLE	WATER SYSTEM INSTL
SHEET 3	PART NO 141462



FIRST USED	03 D30B
DO NOT SCALE DRAWING	
TITLE	WATER SYSTEM INSTL
SHEET 4	PART NO 141462