



**DANGER**

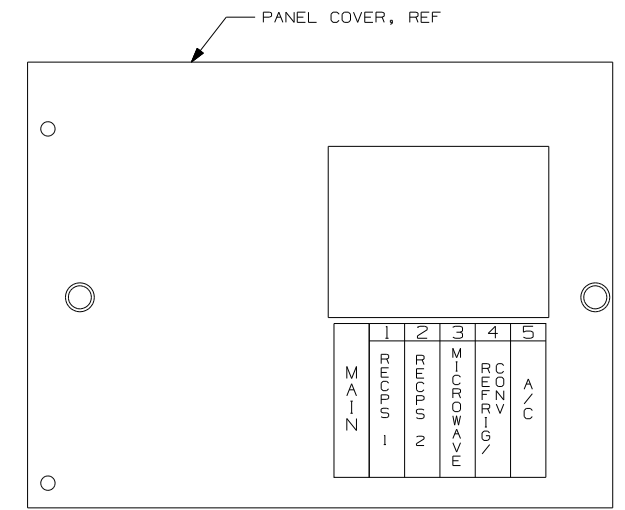
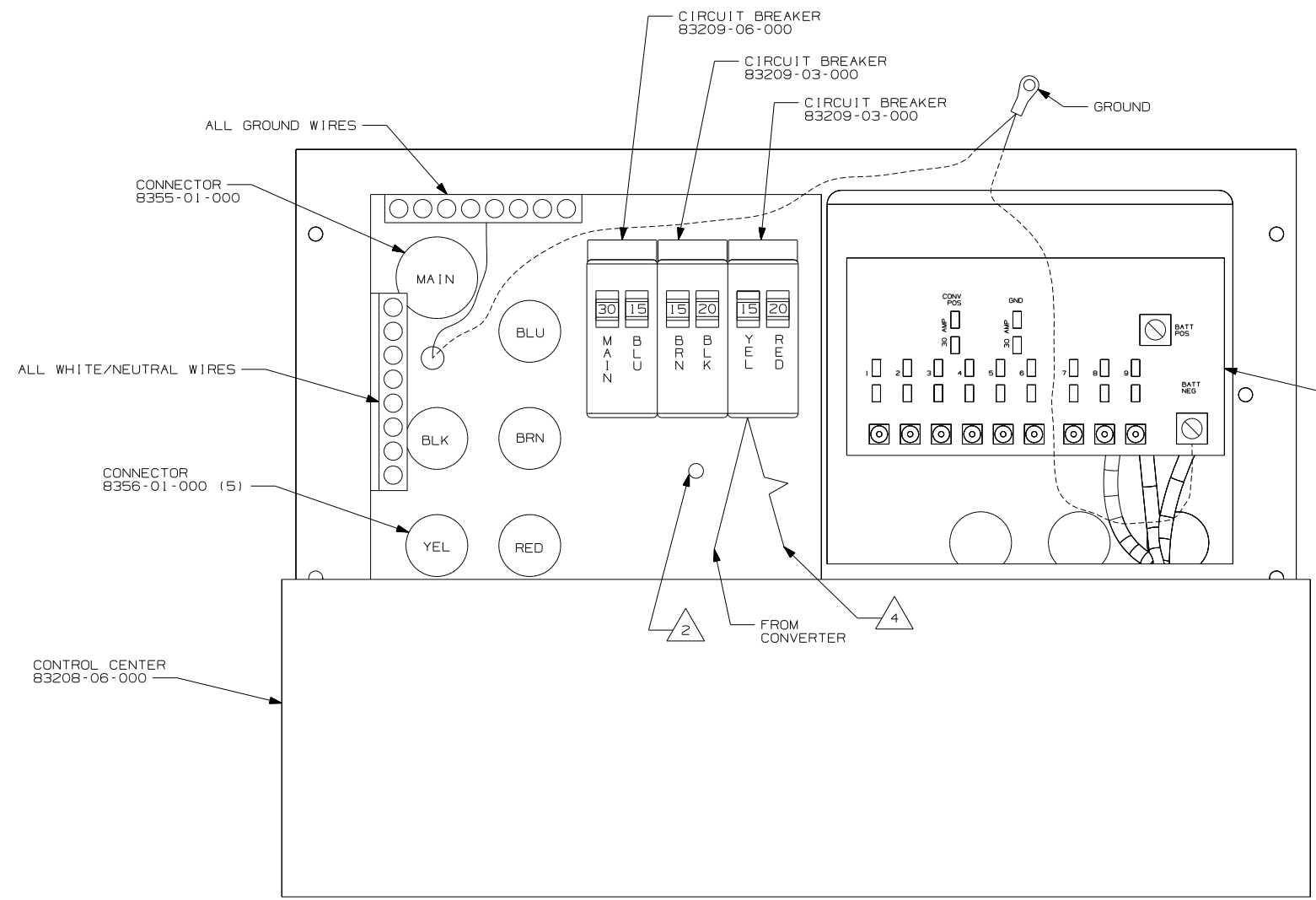
**Danger of electrical shock, burns or death.** Always remove all power sources before attempting any repair, service or diagnostic work. Power can be present from shore power, generator, inverter or battery. All power sources must be disabled and secured before performing any service.



**CAUTION**

If you lack the skills, tools or equipment to perform diagnostic or repair work leave such work to an authorized Winnebago Industries dealer or other qualified shop.

	8	7	6	5	4	3	2
		427P	430V	431C			
WIRE ASM-110V US		142765-01-000	146541-01-000	146634-01-000			
WIRE ASM-110V CA		142765-02-000	146541-02-000	146634-02-000			
GROUND		136145-02-026	136145-02-022	136145-02-030			
GENERATOR CABLE ASM	UL	N/A	8022-01-000 4200	N/A			
	CA	N/A	24743-01-000 4200	N/A			



- 12D ELECTRICAL SYSTEM 30 AMP
- 265 CODES/STANDARDS-CSA/CMVSS
- 1B1 CODES/STANDARDS USA

1B1 265 12D

**WINNEBAGO** COPYRIGHT 2004 WINNEBAGO INDUSTRIES, INC.

DFTR	ORIG. DATE
CHKR	ALL DIMENSIONS ARE IN MILLIMETERS
P.E.	
M.E.	FIRST USED
DSNR	04 400-SER

UNSPECIFIED TOLERANCES ARE: MATERIAL:

WHOLE DIM (X)	:	.
ONE-PLACE (X.X)	:	.
TWO-PLACE (X.XX)	:	.
ANGLE	:	.

THIRD ANGLE PROJECTION

DO NOT SCALE DRAWING

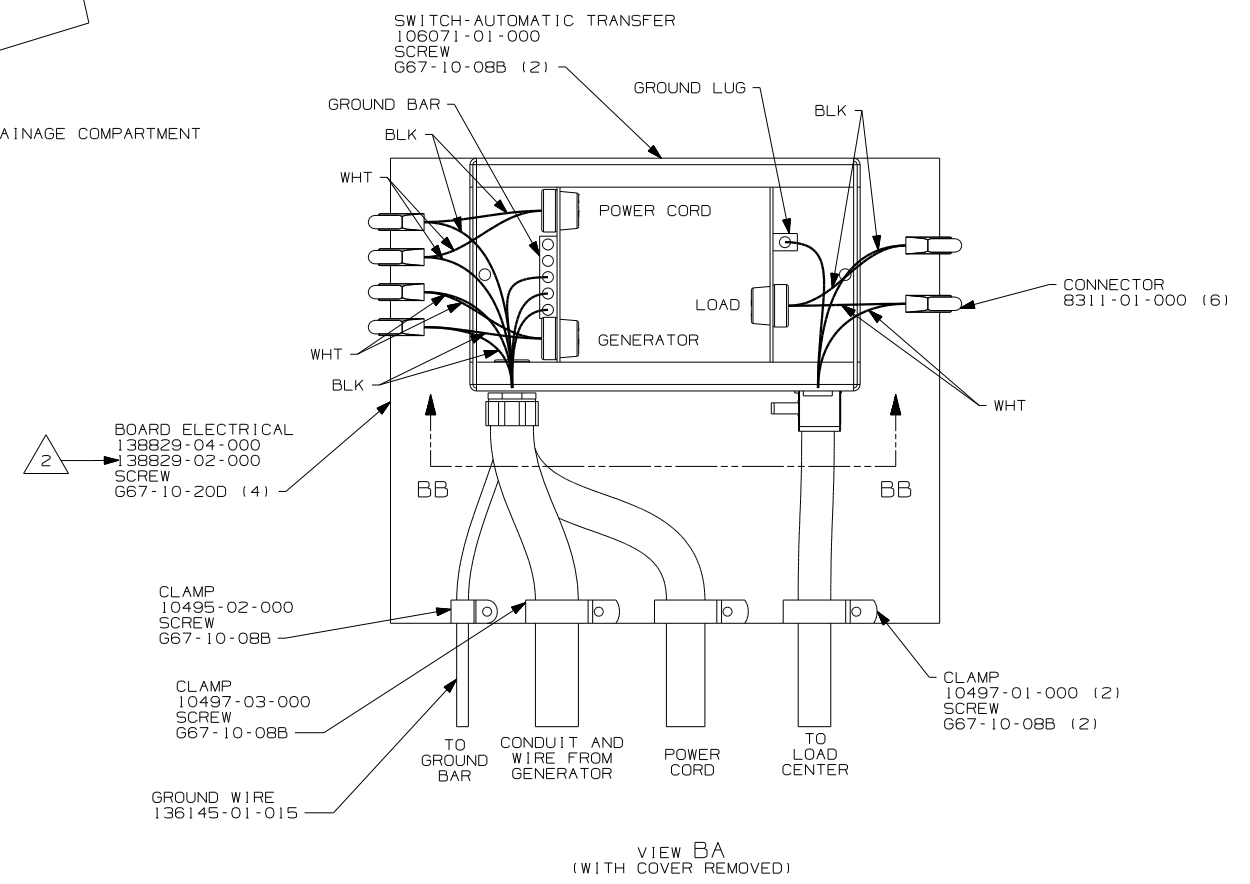
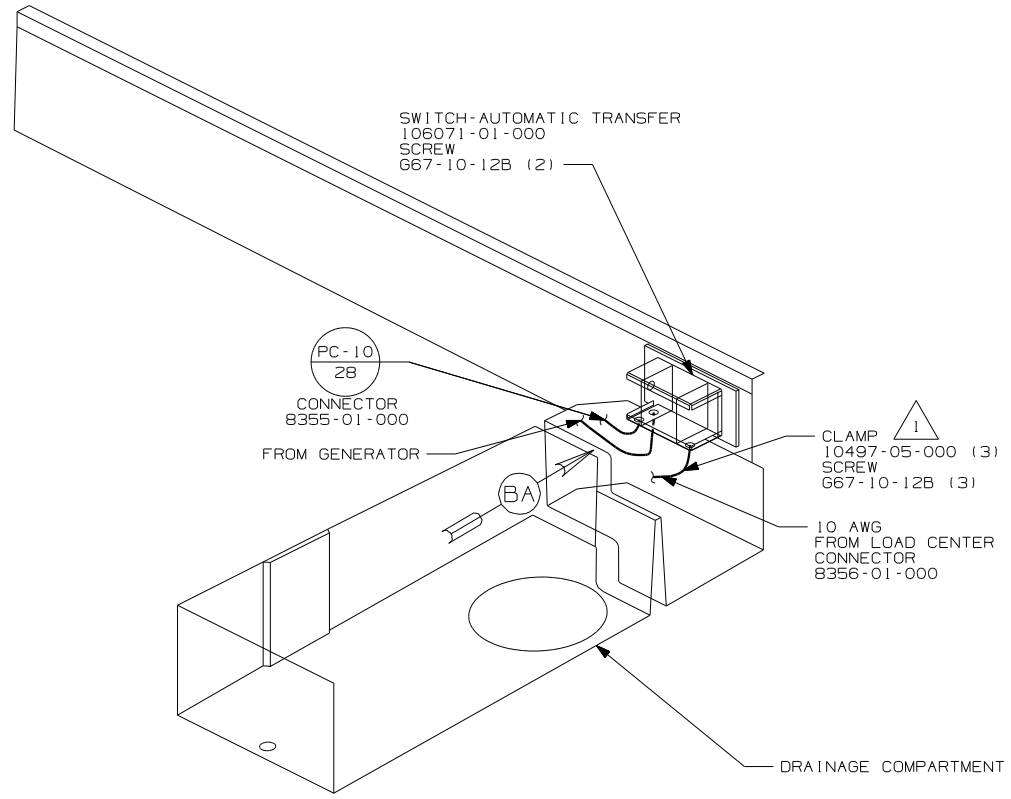
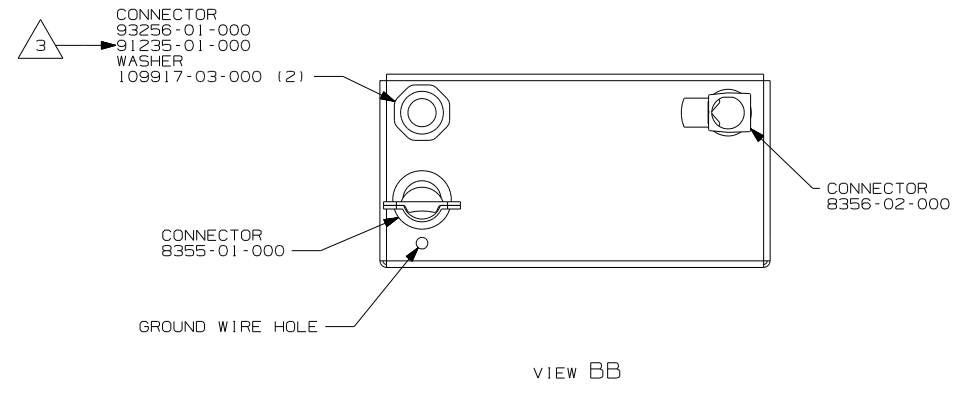
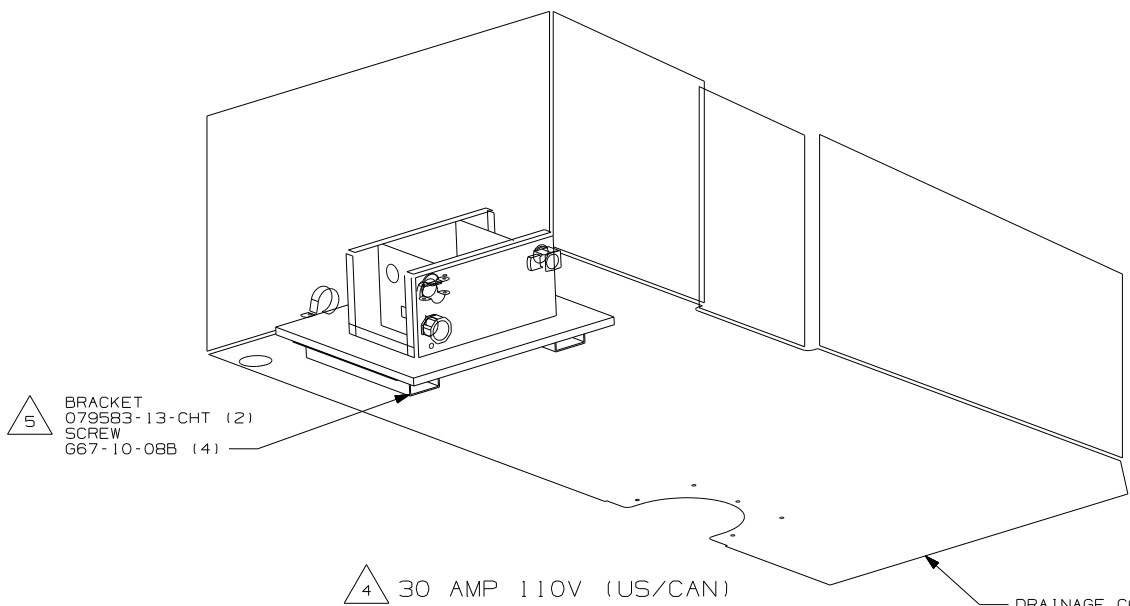
TITLE: LOAD CENTER/ATS ASM

SHEET 1 OF 2 PART NO 146318

- 4 MAKE CONNECTION TO PROVIDED CONVERTER LEAD USING SUPPLIED WIRE NUT CONNECTOR
- 3 SEE WIRING INSTL-BODY, 12V FOR ADDITIONAL INFORMATION.
- 2 SECURE WIRES TO BACKSIDE OF LOAD CENTER WITH WIRE TIE 116673-01-000.

1. ALL GROUNDS WIRES TO BE COVERED WITH TUBING 8041-02-000.

NOTES:



- NOTES:
- 5 MOUNT BRACKET WITH EDGE OF FLANGE FLUSH WITH EDGE OF PLYWOOD, CENTERED ON PLYWOOD AS SHOWN.
  - 4 USED ONLY WITH 427P.
  - 3 USED ONLY WITH 430V.
  - 2 USED ONLY WITH 431C.
  - 1 ALL WIRES TO BE CLAMPED WITHIN 200 OF BOX.

- 12D ELECTRICAL SYSTEM - 30 AMP
- 265 CODES/STANDARDS-CSA/CMVSS
- 1B1 CODES/STANDARDS USA

FIRST USED	04 400-SER
TITLE	DO NOT SCALE DRAWING
	LOAD CENTER/ATS ASM
SHEET 2	PART NO 146318

FOR ELECTRICAL TORQUE SPECIFICATIONS SEE DWG NO. 128783-01-000

FOR ELECTRICAL CALLOUTS SEE DWG NO. 121339-01-000