



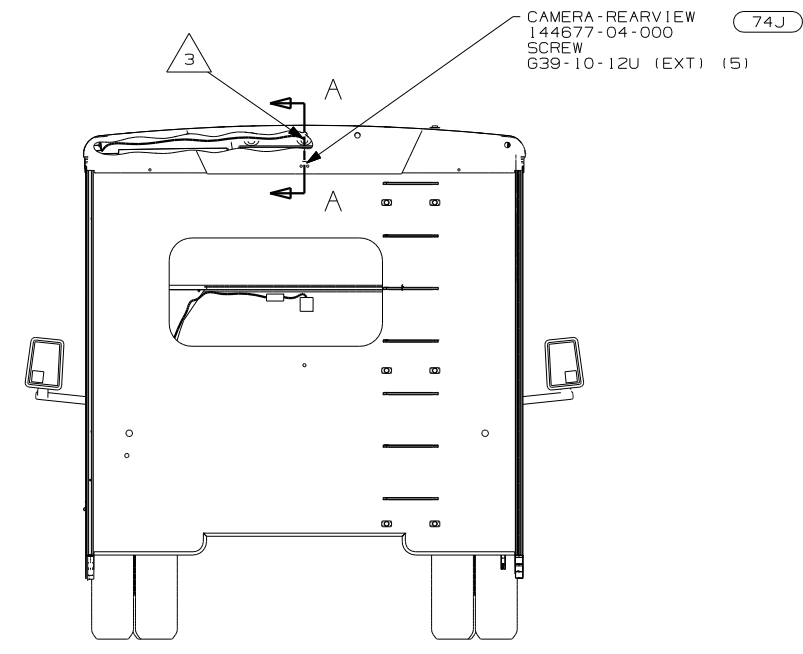
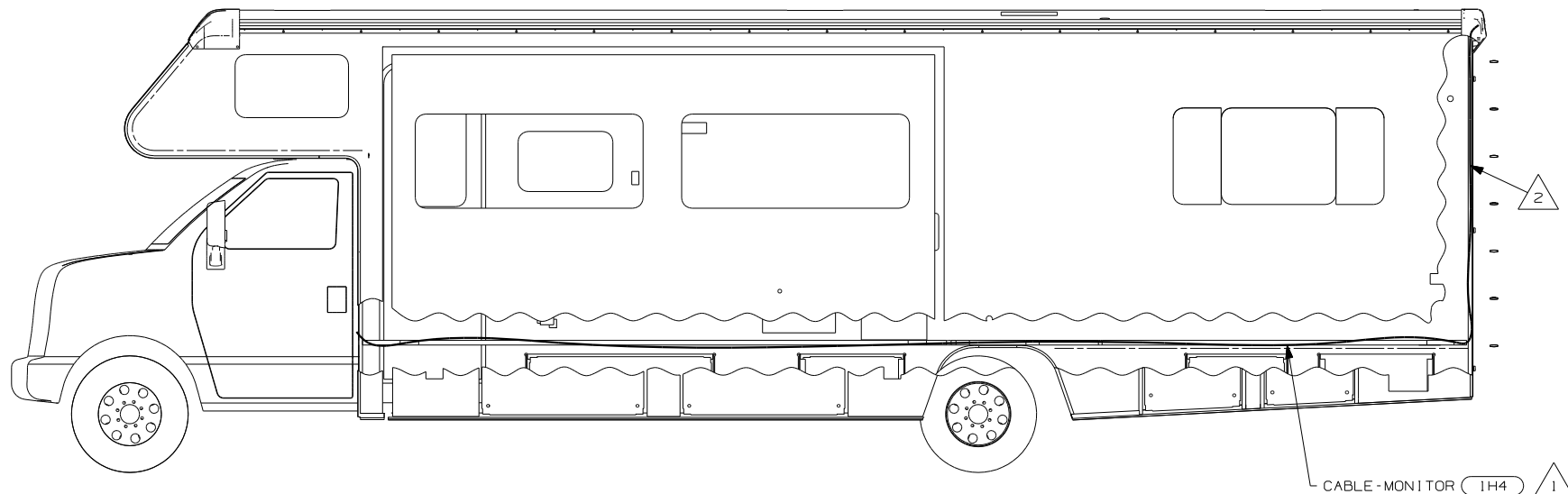
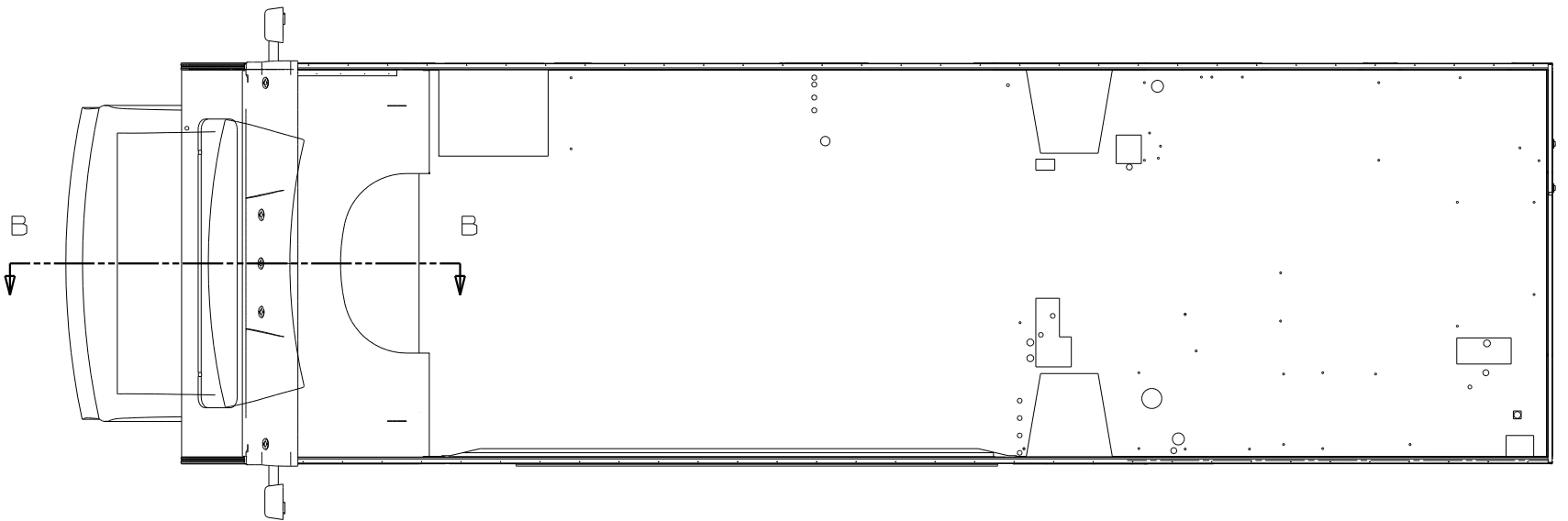
DANGER

Danger of electrical shock, burns or death. Always remove all power sources before attempting any repair, service or diagnostic work. Power can be present from shore power, generator, inverter or battery. All power sources must be disabled and secured before performing any service.



CAUTION

If you lack the skills, tools or equipment to perform diagnostic or repair work leave such work to an authorized Winnebago Industries dealer or other qualified shop.



- NOTES:
- 9 MOUNT ADAPTER BOX BEHIND TRIM PANEL WITH FASTENER-DUAL LOCK 85774-01-000 (100 mm) & 85774-02-000 (100MM).
 - 8 CONNECT REAR MONITOR CABLE TO A/VI WIRE IN ADAPTER BOX.
 - 7 REAR MONITOR CABLE IS PART OF WIRE ASSEMBLY CHASSIS AND IS TO END BETWEEN SUNVISORS.
 - 6 MONITOR BRACKET MOUNTING SCREWS TO BE SCREWED INTO FORD INNER WINDSHIELD HEADER, AS FAR TO THE PASSENGER SIDE AS ALLOWED BY THE HOLE IN THE HEADER TRIM PANEL.
 - 5 PLUG 3 PIN POWER HARNESS AND REAR MONITOR CABLE INTO REAR MONITOR ASSEMBLY.
 - 4 CUT VINYL PAD AND FOLD MATERIAL BACK INTO OPENING FOR REAR MONITOR MOUNTING PLATE.
 - 3 END CABLE IN THIS AREA ON UNITS WITHOUT MONITOR WITH (1H4).
 - 2 WIRE ROUTED IN RECESSED AREA BETWEEN SIDEWALL AND BACKWALL.
 - 1 REAR MONITOR CAMERA CABLE IS PART OF WIRE ASSEMBLY CHASSIS AND RUNS ALONG LEFT FRAME RAIL.

CABLE - MONITOR (1H4) 1

74J REARVIEW MONITOR SYSTEM
 1H4 REARVIEW MONITOR-WIRE PREP

WINNEBAGO		COPYRIGHT 2003 WINNEBAGO INDUSTRIES, INC.	
DFT	ORIG. DATE	ALL DIMENSIONS ARE IN MILLIMETERS	
CHKR		FIRST USED	
P.E.		04 400 SERIES	
M.E.		UNSPECIFIED TOLERANCES ARE:	
DSNR		MATERIAL:	
		WHOLE DIM (X)	: .
		ONE-PLACE (X.X)	: .
		TWO-PLACE (X.XX)	: .
		ANGLE	: .
THIRD ANGLE PROJECTION			
DO NOT SCALE DRAWING			
TITLE: MONITOR INSTL			
SHEET 1 OF 2	PART NO	144978	
REF:141332-C 06/04/03			

GROMMET
71015-30-000
CABLE

TO
CAMERA

SECTION A-A

7 CABLE-REAR
MONITOR (REF)

TELEVISION SYST-REAR VIEW
136514-04-000
SPACER-MONITOR
143999-01-CHT
SCREWS
G39-08-12T

74J 4 5 6 8

SECTION B-B

SECTION C-C

FIRST USED	04 400 SERIES
TITLE	DO NOT SCALE DRAWING MONITOR INSTL
SHEET 2	PART NO 144978