



DANGER

Danger of electrical shock, burns or death. Always remove all power sources before attempting any repair, service or diagnostic work. Power can be present from shore power, generator, inverter or battery. All power sources must be disabled and secured before performing any service.

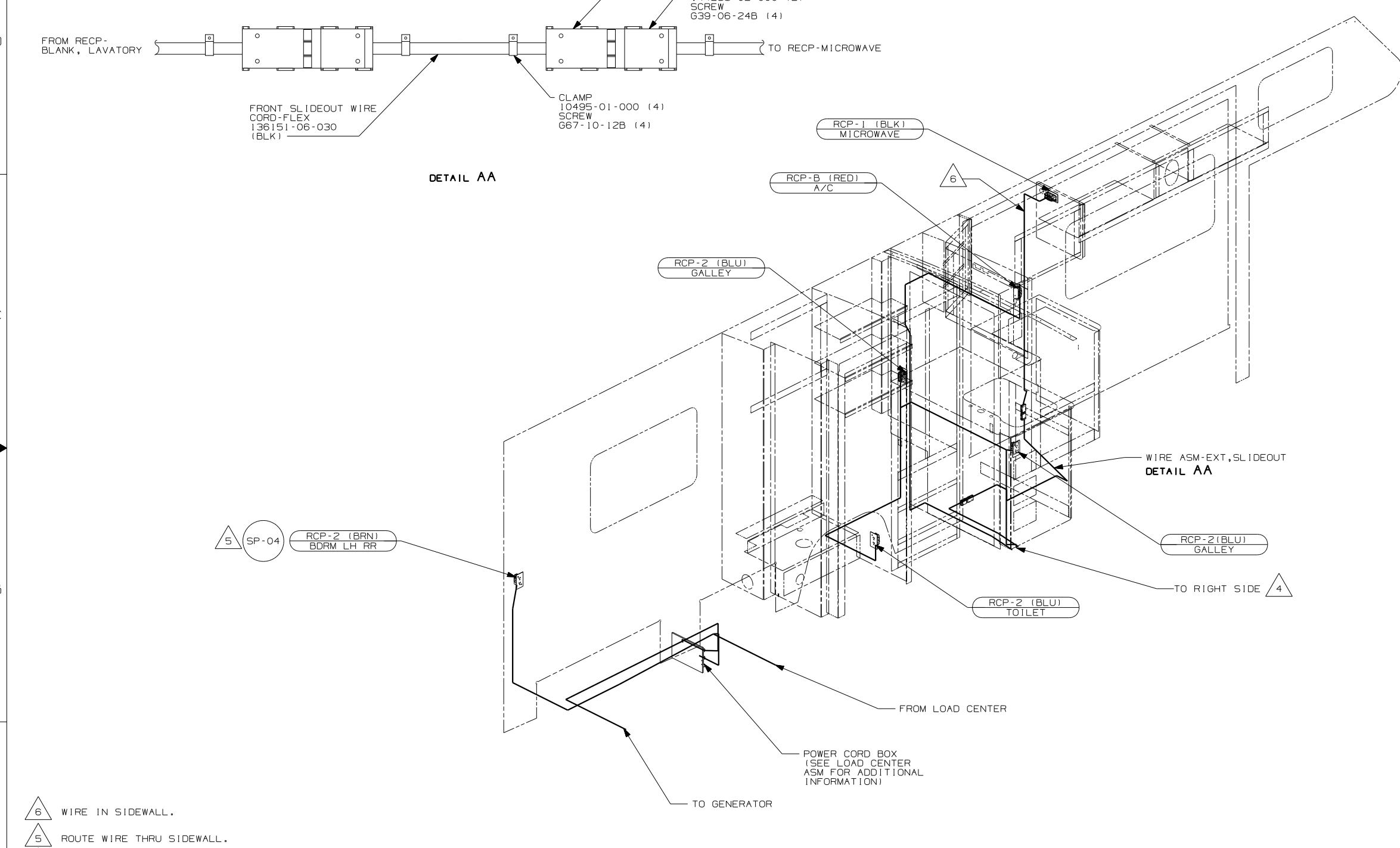


CAUTION

If you lack the skills, tools or equipment to perform diagnostic or repair work leave such work to an authorized Winnebago Industries dealer or other qualified shop.

DRAWING NO.	FEATURE
144128-01	-----
144128-11	(1B1) (12D)
144128-15	(265) (12D)

RELEASE	REV DATE	DWG NO	144128
REV ZONE	REVISION RECORD	DATE	DFTR-ORIG



- NOTES:
- △ 6 WIRE IN SIDEWALL.
 - △ 5 ROUTE WIRE THRU SIDEWALL.
 - △ 4 ROUTE WIRE THRU FLOOR.
 - 3. ALL GROUND WIRES TO BE COVERED WITH TUBING 8041-02-000.
 - 2. ALL 110V WIRES ARE TO BE CLAMPED WITH CLAMP 10495-01-000 WITHIN 200 OF OUTLET BOXES. USE SCREW G67-10-12B.
 - 1. ALL WIRES TO BE CLAMPED WITH CLAMP 10495-01-000 OR CLIP 80734-01-000 EVERY 600. USE SCREW G67-10-12B UNLESS OTHERWISE SPECIFIED.

- (12D) ELECTRICAL SYSTEM 30 AMP
- (265) CODES/STANDARDS-CSA/CMVSS
- (1B1) CODES/STANDARDS USA

(1B1) (265) (12D)

WINNEBAGO COPYRIGHT 2003 WINNEBAGO INDUSTRIES, INC.

DFTR	ORIG. DATE
CHKR	ALL DIMENSIONS ARE IN MILLIMETERS
P.E.	
M.E.	FIRST USED
DSNR	04 332G

UNSPECIFIED TOLERANCES ARE:	MATERIAL:
WHOLE DIM (X) :	.
ONE-PLACE (X.X) :	.
TWO-PLACE (X.XX) :	.
ANGLE :	.
THIRD ANGLE PROJECTION	⊕

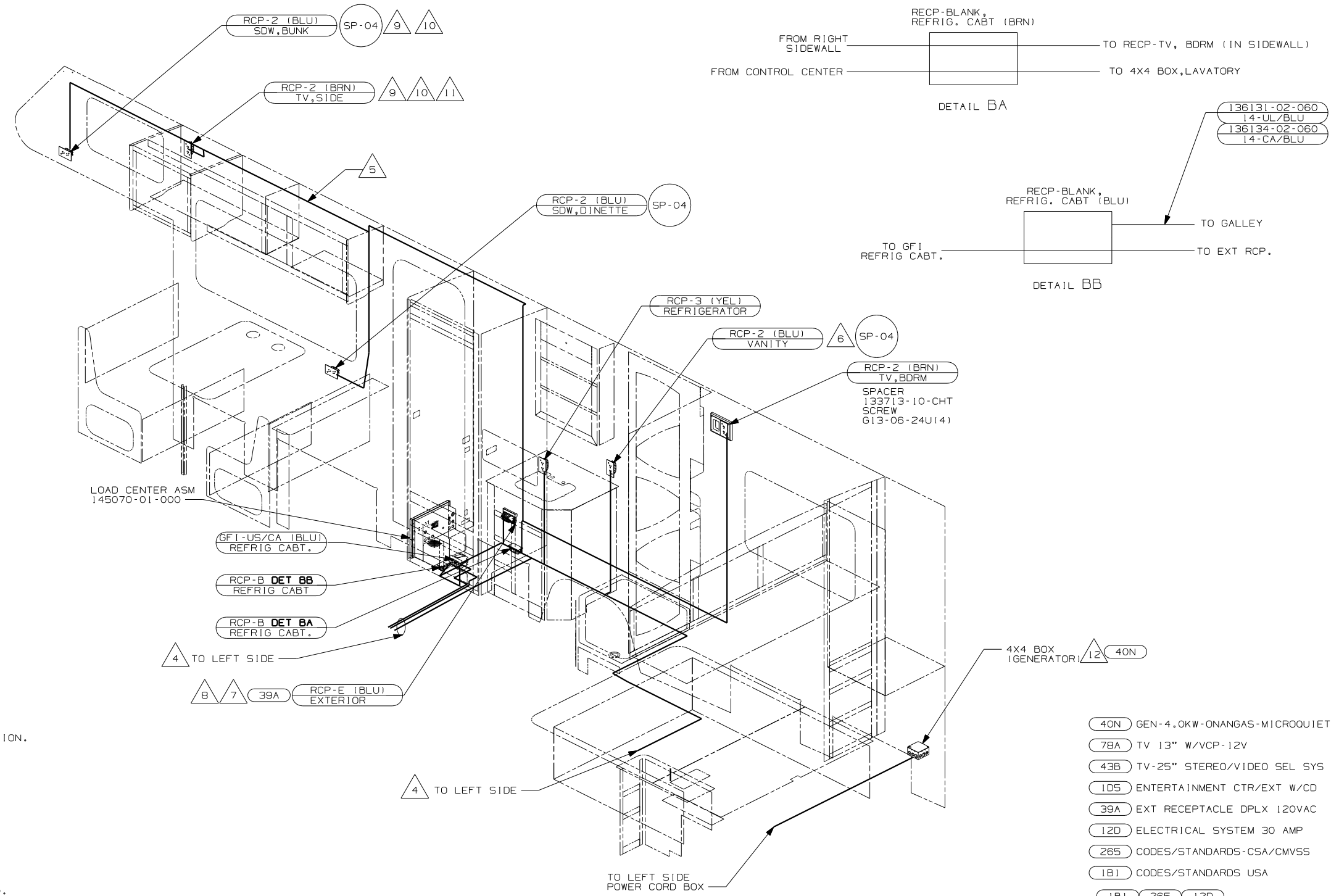
DO NOT SCALE DRAWING

TITLE: WIRING INST-BODY, 110V

SHEET 1 OF 2 PART NO 144128

REF: NONE 1 08/15/03

(X-X) FOR ELECTRICAL CALLOUTS SEE DWG NO. 121339-01-000



- △12 SEE GENERATOR INSTALLATION FOR MORE INFORMATION.
- △11 NOT USED WITH 78A .
- △10 NOT USED WITH 43B .
- △9 SEE WIRING INSTL-TV/VCR, SIDE FOR ADDITIONAL INFORMATION.
- △8 NOT USED WITH 1D5 .
- △7 SEE ENT CTR INSTL-EXT FOR ADDITIONAL INFORMATION.
- △6 ROUTE WIRE THRU SIDEWALL
- △5 WIRE ROUTED IN SIDEWALL.
- △4 ROUTE WIRE THRU FLOOR.

3. ALL GROUND WIRE TO BE COVERED WITH TUBING 8041-02-000.
2. ALL 110V WIRE TO BE CLAMPED WITH CLAMP 10497-05-000 WITHIN 200 OF OUTLET BOXES, USE SCREW G67-10-12B.
1. ALL WIRES TO BE SECURED WITH CLAMP 10495-01-000 OR CLIP B0734-01-000 EVERY 600MM. USE SCREW G67-10-12B UNLESS OTHERWISE SPECIFIED.

NOTES:

△4 TO LEFT SIDE

△8 △7 39A RCP-E (BLU) EXTERIOR

△4 TO LEFT SIDE

TO LEFT SIDE POWER CORD BOX

4X4 BOX (GENERATOR) △12 40N

FOR ELECTRICAL TORQUE SPECIFICATIONS SEE DWG NO. 128783-01-000

FOR ELECTRICAL CALLOUTS SEE DWG NO. 121339-01-000

- 40N GEN-4.0KW-ONANGAS-MICROQUIET
- 78A TV 13" W/VCP-12V
- 43B TV-25" STEREO/VIDEO SEL SYS
- 1D5 ENTERTAINMENT CTR/EXT W/CD
- 39A EXT RECEPTACLE DPLX 120VAC
- 12D ELECTRICAL SYSTEM 30 AMP
- 265 CODES/STANDARDS-CSA/CMVSS
- 1B1 CODES/STANDARDS USA

FIRST USED	04 332G	
TITLE:	DO NOT SCALE DRAWING	
	WIRING INST-BODY, 110V	
SHEET 2	PART NO	144128