



**DANGER**

**Danger of electrical shock, burns or death.** Always remove all power sources before attempting any repair, service or diagnostic work. Power can be present from shore power, generator, inverter or battery. All power sources must be disabled and secured before performing any service.



**CAUTION**

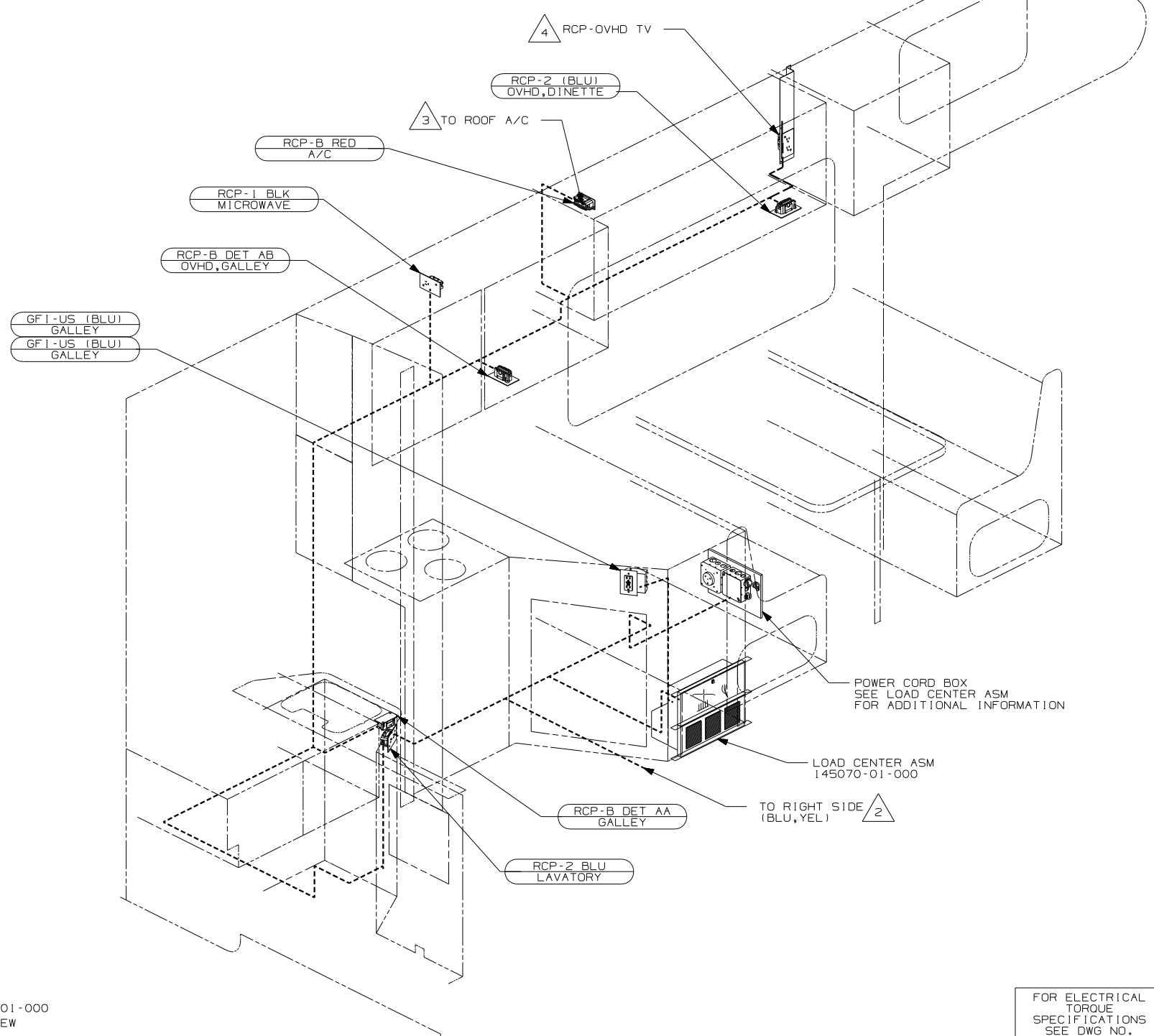
If you lack the skills, tools or equipment to perform diagnostic or repair work leave such work to an authorized Winnebago Industries dealer or other qualified shop.

DRAWING NO.	FEATURE
146697-01	-----
146697-11	(1B1) (12D)
146697-15	(265) (12D)

RELEASE	REV DATE	DWG NO
A		146697
REV ZONE	REVISION RECORD	DATE DFR-ORIG

136131-02-090  
14-UL/BLU  
136134-02-090  
14-CA/BLU

RCP-BLANK, GALLEY (BLU)  
FROM RECP-LAVATORY TO EXTERIOR RCP (2)  
FROM RECP-GALLEY, GFI TO RCP OVHD GALLEY  
DETAIL AA (BLU)



- (4) NOT USED WITH (78A).
- (3) WIRE ROUTED IN ROOF.
- (2) ROUTE WIRE THRU FLOOR.

1. ALL WIRES TO BE SECURED WITH CLAMP 10495-01-000 OR CLIP 80734-01-000 EVERY 600MM. USE SCREW 667-10-12B UNLESS OTHERWISE SPECIFIED.

NOTES:

- (78A) TV-13" W/VCP-12V
- (12D) ELECTRICAL SYSTEM 30 AMP
- (265) CODES/STANDARDS-CSA/CMVSS
- (1B1) CODES/STANDARDS USA

(1B1) (265) (12D)



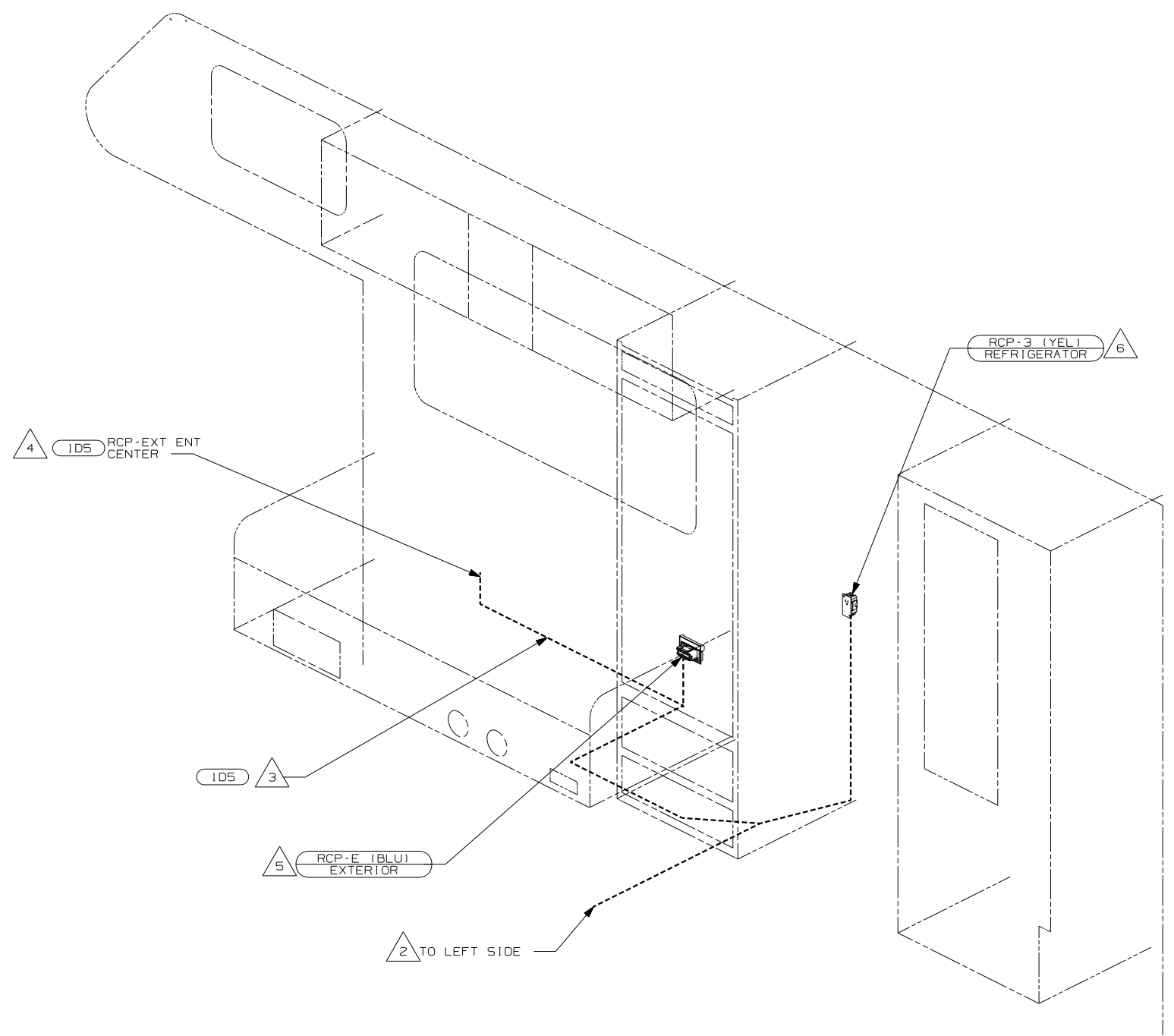
DFTR	ORIG. DATE
CHKR	ALL DIMENSIONS ARE IN MILLIMETERS
P.E.	
M.E.	FIRST USED
DSNR	04 322R
UNSPECIFIED TOLERANCES ARE:	MATERIAL:
WHOLE DIM (X)	
ONE-PLACE (X.X)	(1)
TWO-PLACE (X.XX)	
ANGLE	
THIRD ANGLE PROJECTION	

DO NOT SCALE DRAWING

TITLE:	WIRING INSTL-BODY, 110V
SHEET 1 OF 2	PART NO 146697

FOR ELECTRICAL TORQUE SPECIFICATIONS SEE DWG NO. 128783-01-000

FOR ELECTRICAL CALLOUTS SEE DWG NO. 121339-01-000



- △ 6 LOCATE RCP ON REFRIGERATOR TIEDOWN BRACKET.
- △ 5 NOT USED WITH ID5
- △ 4 SEE ENTERTAINMENT CENTER-COMPL FOR ADDITIONAL INFORMATION.
- △ 3 ROUTE WIRE ALONG FLOOR.
- △ 2 ROUTE WIRE THRU FLOOR.

1. ALL WIRES TO BE SECURED WITH CLAMP 10495-01-000 OR CLIP 80734-01-000 EVERY 600MM. USE SCREW 667-10-12B UNLESS OTHERWISE SPECIFIED.

NOTES:

- ID5 ENTERTAINMENT CENTR/EXT W/CD
- 265 CODES/STANDARDS-CSA/CMVSS
- 1B1 CODES/STANDARDS USA

1B1 265

FIRST USED	
04 322R	
DO NOT SCALE DRAWING	
TITLE:	
WIRING INSTL-BODY, 110V	
SHEET 2	PART NO
	146697

FOR ELECTRICAL TORQUE SPECIFICATIONS SEE DWG NO. 128783-01-000

FOR ELECTRICAL CALLOUTS SEE DWG NO. 121339-01-000