



DANGER

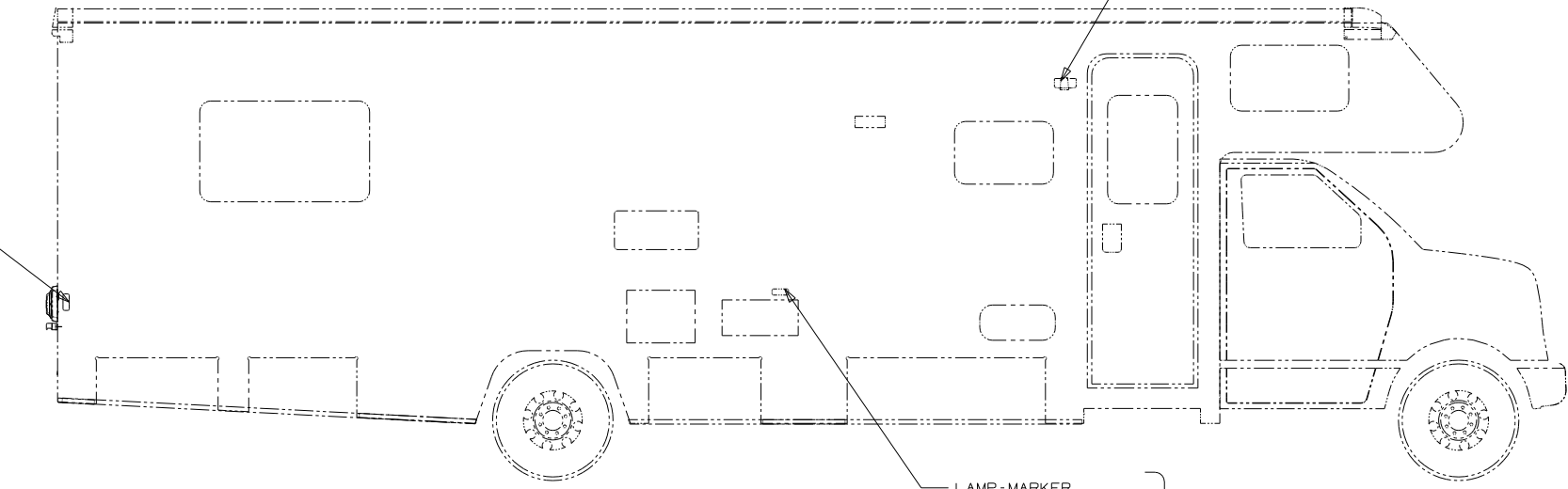
Danger of electrical shock, burns or death. Always remove all power sources before attempting any repair, service or diagnostic work. Power can be present from shore power, generator, inverter or battery. All power sources must be disabled and secured before performing any service.



CAUTION

If you lack the skills, tools or equipment to perform diagnostic or repair work leave such work to an authorized Winnebago Industries dealer or other qualified shop.

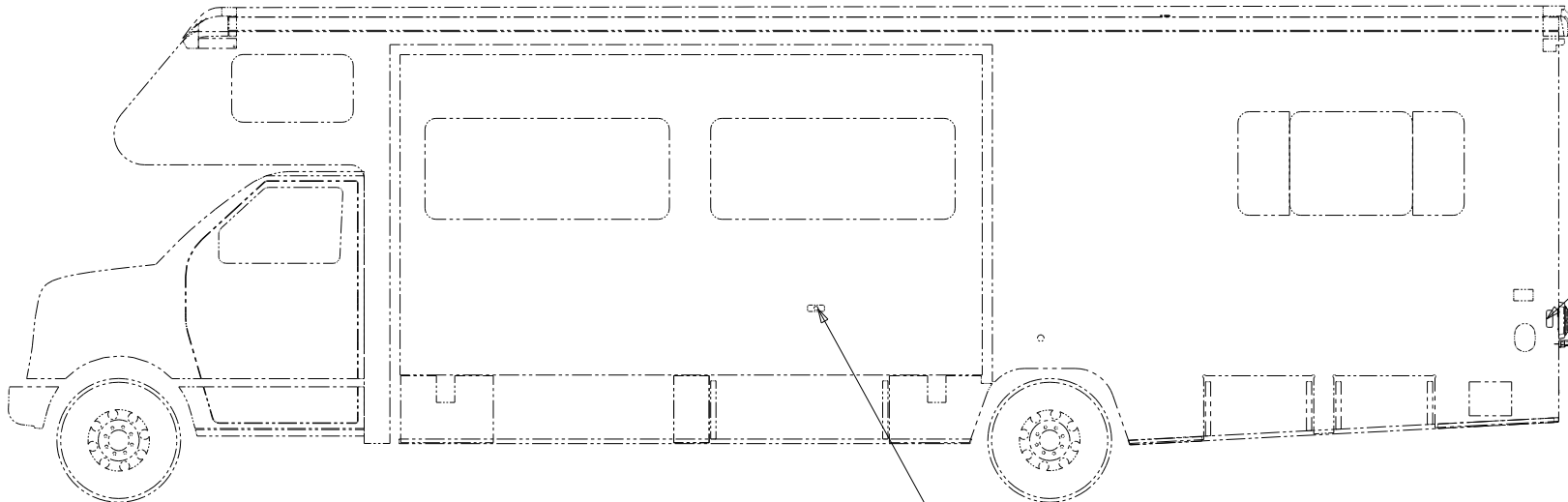
LAMP-MARKER
 BASE, SIDEWALL
 111102-01-000
 LENS-MARKER, RED
 111102-03-000
 SCREW
 G11-08-12T (EXT) (2)
 CONNECTOR
 58028-01-000 (2)



LEXT-1 181

LAMP-MARKER
 BASE, SIDEWALL
 111102-01-000
 LENS-MARKER, AMBER
 111102-02-000
 SCREW
 G11-08-12T (EXT) (2)
 CONNECTOR
 58028-01-000 (2)

2



LAMP-MARKER
 BASE, SIDEWALL
 111102-01-000
 LENS-MARKER, RED
 111103-03-000
 SCREW
 G11-08-12T (EXT) (2)
 CONNECTOR
 58028-01-000 (2)

1

LAMP-MARKER
 BASE, SIDEWALL
 111102-01-000
 LENS-MARKER, AMBER
 111102-02-000
 SCREW
 G11-08-12T (EXT) (2)
 CONNECTOR
 58028-01-000 (2)

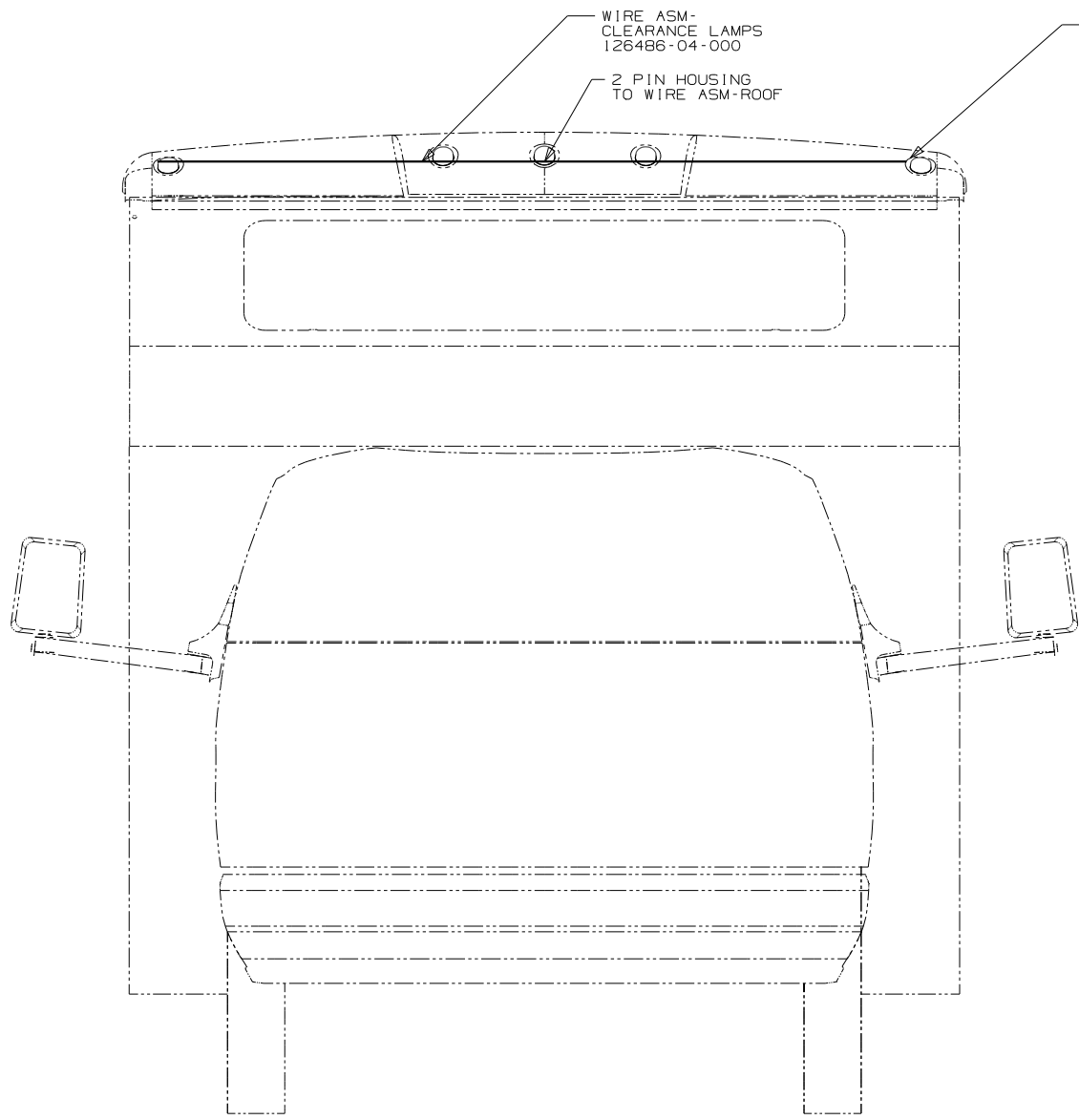
2

2 USED ONLY WITH 331C, 331T & 332G.
 1 ON 329B, COVER WIRES WITH TAPE 8363-01-000 AFTER CONNECTIONS ARE MADE.

FOR ELECTRICAL
 TORQUE
 SPECIFICATIONS
 SEE DWG NO.
 128783-01-000

(X-X)
 FOR
 ELECTRICAL
 CALLOUTS
 SEE DWG NO.
 121339-01-000

WINNEBAGO		COPYRIGHT 2003 WINNEBAGO INDUSTRIES, INC.	
DFTR	ORIG. DATE		
CHKR	ALL DIMENSIONS ARE IN MILLIMETERS		
P.E.			
M.E.	FIRST USED		
DSNR	04 300 SERIES		
UNSPECIFIED TOLERANCES ARE:		MATERIAL:	
WHOLE DIM (X)	: 1	<input checked="" type="checkbox"/>	
ONE-PLACE (X.X)	: 1.5	<input checked="" type="checkbox"/>	
TWO-PLACE (X.XX)	: 0.50	<input checked="" type="checkbox"/>	
ANGLE	: 1°	<input checked="" type="checkbox"/>	
THIRD ANGLE PROJECTION		<input checked="" type="checkbox"/>	
DO NOT SCALE DRAWING			
TITLE: WIRING INSTL-EXT LAMPS			
SHEET 1 OF 2	PART NO	145072	
REF: 141602-B 1 05/23/03			



LAMP ASM-CLEARANCE, AMBER
138996-01-000 (5)
BRACKET-LAMP CLEARANCE
138996-03-000 (5)
SCREW
611-06-08T (EXT) (10)

TAILLAMP ASM-
81638-01-000 (2)
SCREW
611-08-12T (16)
POD TAILLAMP
103355-02-CHT
SCREW
667-10-129 (8)
CONNECTOR
58028-01-000
(8)
SEALER-TAPE
6964-21-000 (3,4)

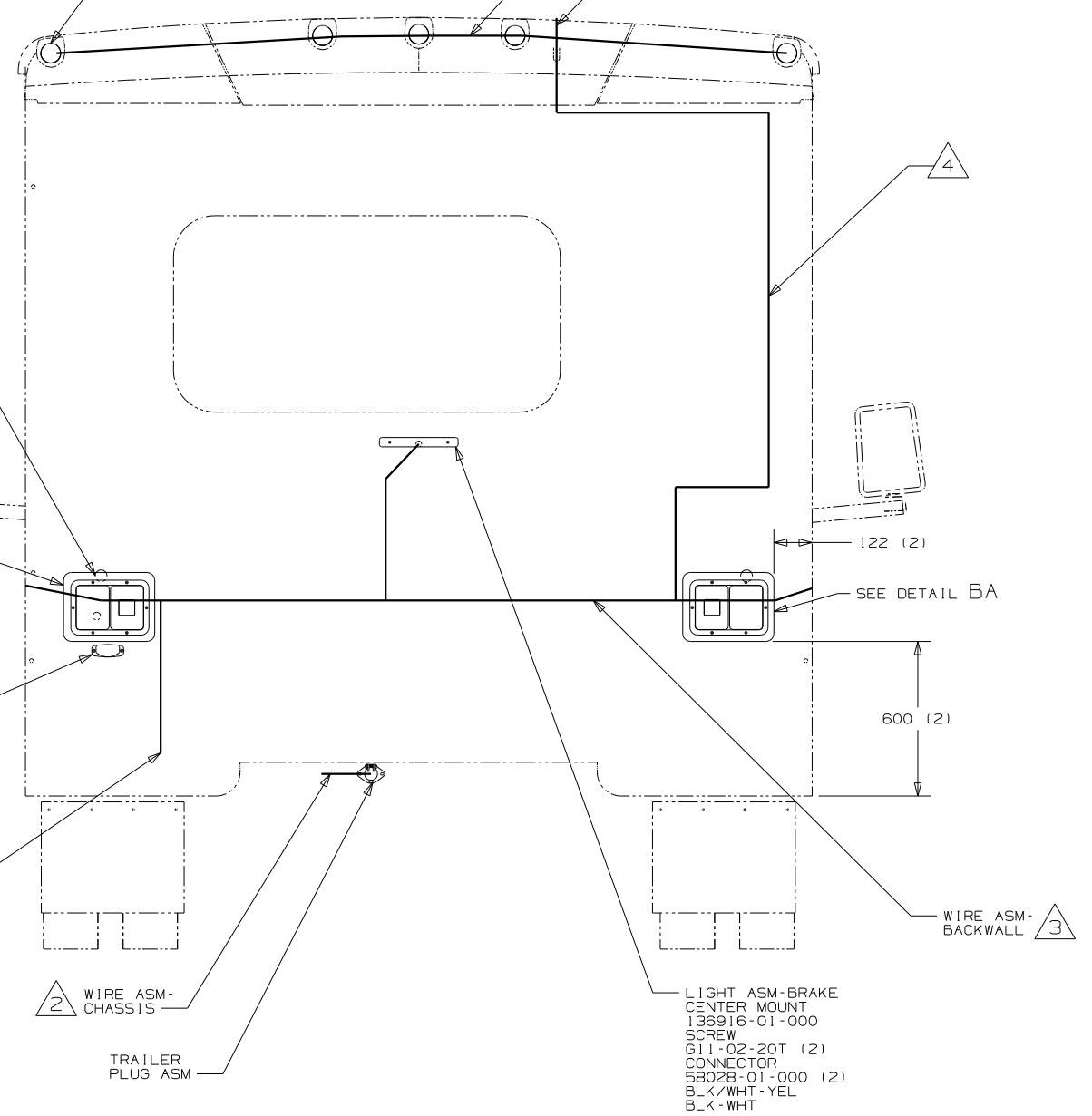
BRACKET-LICENSE
66432-03-000
SCREW
667-10-129 (2)
LIGHT-LICENSE
66432-02-000
SCREW
639-08-12T (EXT) (2)
CONNECTOR
58028-01-000 (2)

6 PIN HOUSING
TO WIRE ASM-
TAILLAMP EXTENSION

LAMP ASM-CLEARANCE, RED
138996-02-000 (5)
BRACKET-LAMP CLEARANCE
138996-03-000 (5)
SCREW
611-06-08T (10)

WIRE ASM-CLEARANCE LAMPS
126486-04-000

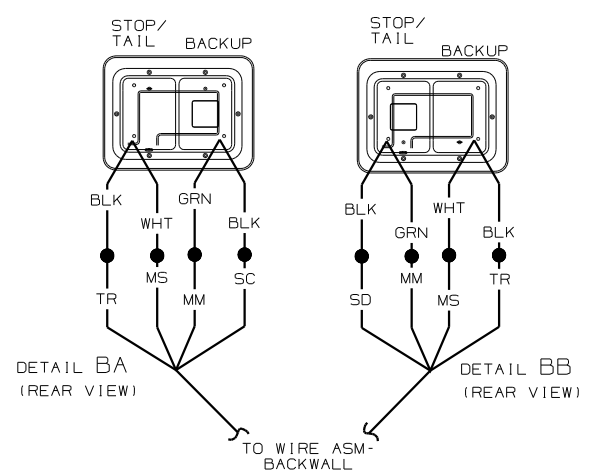
WIRE ASM-BACKWALL CONNECTS
TO WIRE ASM-ROOF



2 WIRE ASM-
CHASSIS

TRAILER
PLUG ASM

LIGHT ASM-BRAKE
CENTER MOUNT
136916-01-000
SCREW
611-02-20T (2)
CONNECTOR
58028-01-000 (2)
BLK/WHT-YEL
BLK-WHT



- 4 ON 324V WIRE ASSEMBLY RUNS ON LEFT SIDE OF BACKWALL.
 - 3 LOCATED IN BACKWALL ASSEMBLY.
 - 2 SECURE WIRE BELOW COACH WITH CLAMP 10495-01-000 AND SCREW 667-10-12B.
- 1 CONNECTOR-PLUG, TRAILER 113589-01-000 TO BE SUPPLIED LOOSE IN COACH WITH TRAILER TOW PACKAGE.

FOR ELECTRICAL
TORQUE
SPECIFICATIONS
SEE DWG NO.
128783-01-000

FOR
ELECTRICAL
CALLOUTS
SEE DWG NO.
121339-01-000

FIRST USED	
04 300 SERIES	
DO NOT SCALE DRAWING	
TITLE: WIRING INSTL-EXT LAMPS	
SHEET 2	PART NO 145072