



**DANGER**

**Danger of electrical shock, burns or death.** Always remove all power sources before attempting any repair, service or diagnostic work. Power can be present from shore power, generator, inverter or battery. All power sources must be disabled and secured before performing any service.

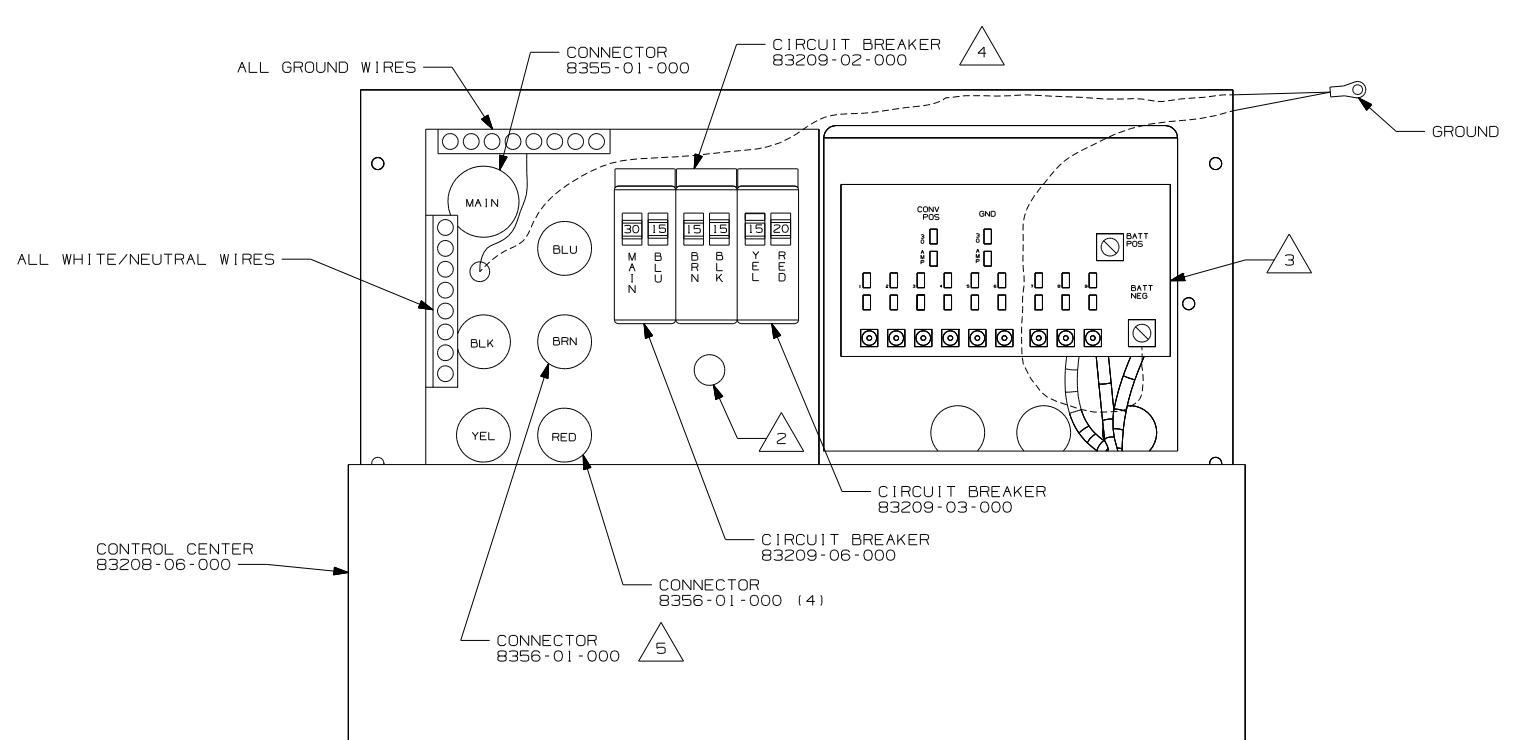
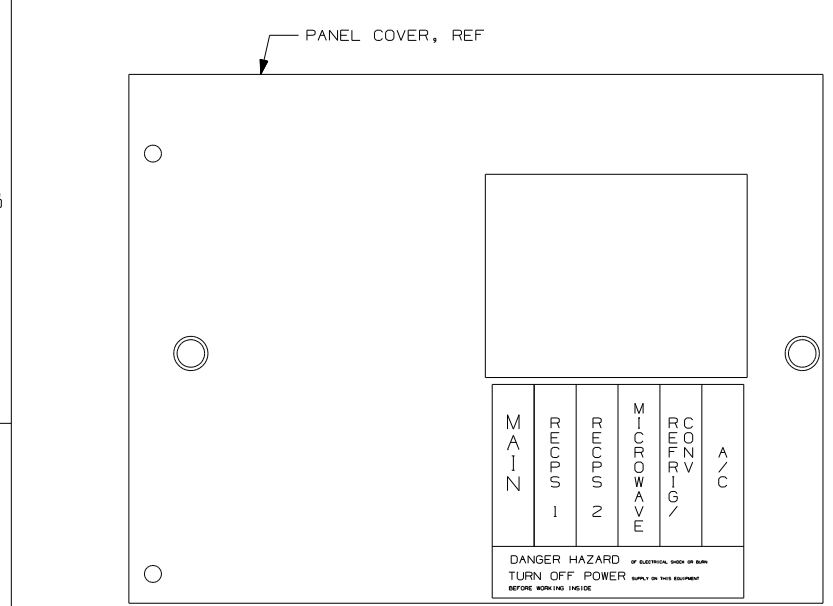


**CAUTION**

If you lack the skills, tools or equipment to perform diagnostic or repair work leave such work to an authorized Winnebago Industries dealer or other qualified shop.

8		7		6		5		4		3		2		1	
		322E	322R	324F	324V	329B	329K	332G	331C	331T					
RED	12-UL	X	X	X	X	X	X	X	136135-07-037	136135-07-037					
	12-CA	X	X	X	X	X	X	X	136136-07-037	136135-07-037					
YEL	14-UL	X	X	X	X	X	X	X	136131-05-025	136131-05-025					
	14-CA	X	X	X	X	X	X	X	136134-05-025	136134-05-025					
BLK	14-UL	X	X	X	X	X	X	X	136131-06-051	136131-06-051					
	14-CA	X	X	X	X	X	X	X	136134-06-051	136134-06-051					
BRN	14-UL	X	X	X	X	X	X	X	136131-03-095	N/A	49X				
	14-CA	X	X	X	X	X	X	X	136134-03-095	N/A	49X				
	14-UL	X	X	X	X	X	X	X	N/A	136131-03-113	44X				
	14-CA	X	X	X	X	X	X	X	N/A	136134-03-113	44X				
	14-UL	X	X	X	X	X	X	X	136131-03-112	136131-03-117	45G				
	14-CA	X	X	X	X	X	X	X	136134-03-112	136134-03-117	45G				
BLU	14-UL	X	X	X	X	X	X	X	136131-02-170	136131-02-170					
	14-CA	X	X	X	X	X	X	X	136134-02-170	136134-02-170					
MAIN	10-UL	X	X	X	X	X	X	X	136137-01-070	136137-01-060					
	10-CA	X	X	X	X	X	X	X	136138-01-070	136138-01-060					
MAIN	10-UL	X	X	X	X	X	X	X	136137-01-080	N/A	45G				
	10-CA	X	X	X	X	X	X	X	136138-01-080	N/A	45G				
GROUND	B-G	136145-02-015	136145-02-023	136145-02-020	136145-02-016	136145-02-015	136145-02-012	136145-02-012	136145-02-022	136145-02-022					
WIRE ASM	110V US	143370-01-000	143602-01-000	145478-01-000	142933-01-000	146369-01-000	148304-01-000	144136-01-000	X	X					
WIRE ASM	110V CA	143370-02-000	143602-02-000	145478-02-000	142933-02-000	146369-02-000	148304-02-000	144136-02-000	X	X					
GENERATOR CABLE ASM	UL	X	X	136137-01-036	136137-01-020	136137-01-025	136137-01-025	136137-01-042	X	X	40N				
	CA	X	X	136138-01-036	136138-01-020	136138-01-025	136138-01-025	136138-01-042	X	X	40N				

RELEASE REV DATE A  
 REV ZONE REVISION RECORD DATE DFTR-ORIG  
 DWG NO 145070



- 40N GEN-4.0KW-ONAGAS-MICROQUIET
- 49X BED-QUEEN - BACKWALL
- 45G BED-TWINS
- 44X BED-QUEEN SIDEWALL
- 265 CODES/STANDARDS-CSA/CMVSS
- 1B1 CODES/STANDARDS USA

1B1 265

**WINNEBAGO** COPYRIGHT 2004 WINNEBAGO INDUSTRIES, INC.

DFTR	ORIG. DATE
CHKR	ALL DIMENSIONS ARE IN MILLIMETERS
P.E.	
M.E.	FIRST USED
DSNR	04 300-SER
UNSPECIFIED TOLERANCES ARE:	
WHOLE DIM (X)	:
ONE-PLACE (X.X)	:
TWO-PLACE (X.XX)	:
ANGLE	:
THIRD ANGLE PROJECTION	

DO NOT SCALE DRAWING

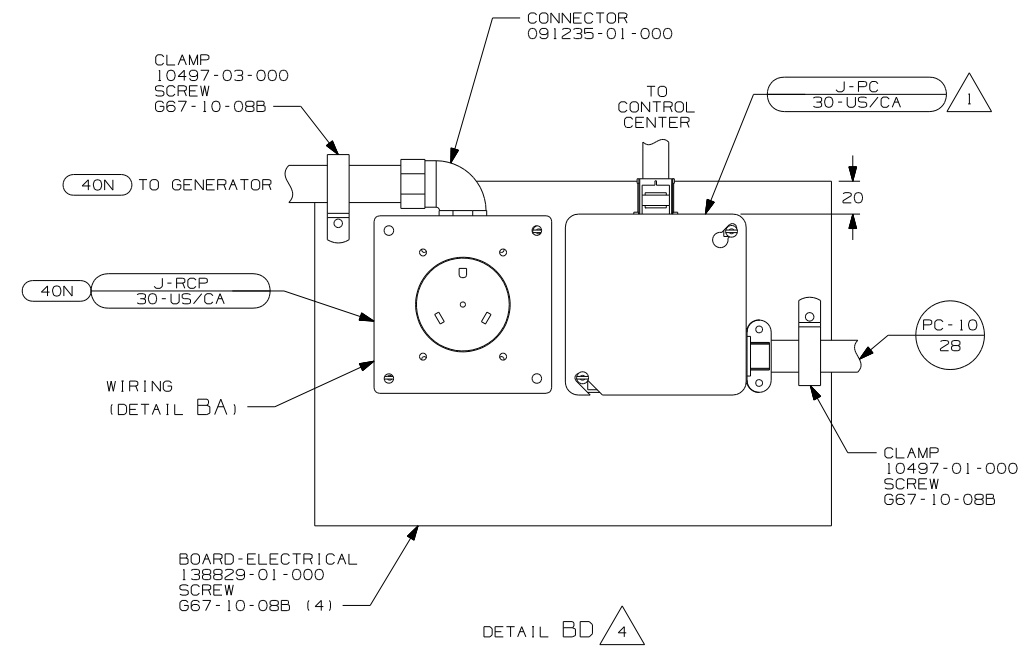
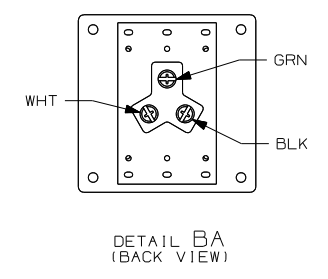
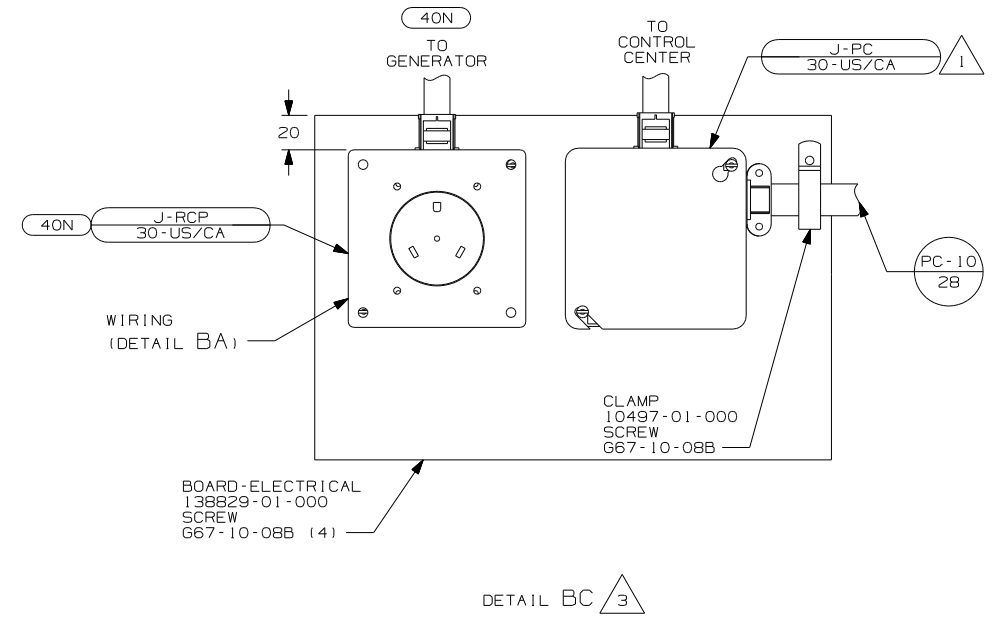
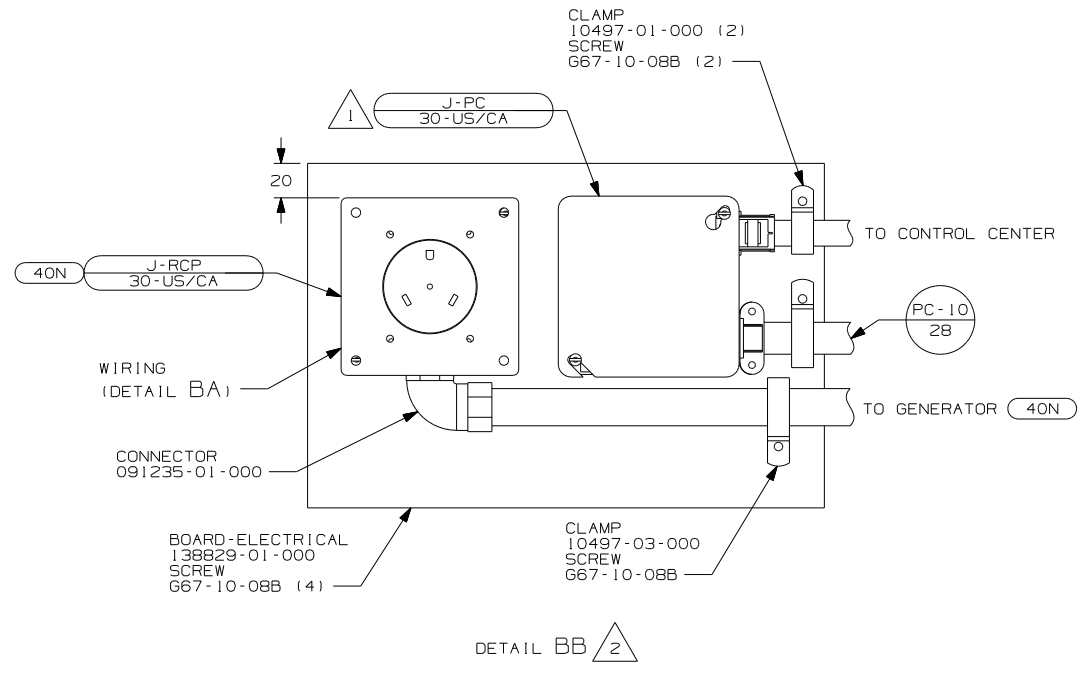
TITLE: LOAD CENTER/ATS ASM

SHEET 1 OF 2 PART NO 145070

REF: 1 2/4/2004

- 5 NOT USED WITH 322R
  - 4 FOR 322R USE CIRCUIT BREAKER 83209-01-000
  - 3 SEE WIRING INSLT-BODY, 12V FOR ADDITIONAL INFORMATION.
  - 2 SECURE WIRES TO BACKSIDE OF LOAD CENTER WITH WIRE TIE 116673-01-000.
1. ALL GROUND WIRES TO BE COVERED WITH TUBING 8041-02-000.
- NOTES:

(X-X) FOR ELECTRICAL CALLOUTS SEE DWG NO. 121339-01-000



- NOTES:
- 4 USED WITH 329B, 329K
  - 3 USED WITH 322R, 322E, 324V & 332G
  - 2 USED WITH 324F, 331C & 331T
  - 1 CONNECT BLK TO BLK, WHT TO WHT, AND GRNDS TO GRNDS.

FOR ELECTRICAL TORQUE SPECIFICATIONS SEE DWG NO. 128783-01-000

FOR ELECTRICAL CALLOUTS SEE DWG NO. 121339-01-000

- 40N GEN-4.0KW-ONAN-GAS-MICROLITE
- 265 CODES/STANDARDS-CSA/CMVSS
- 1B1 CODES/STANDARDS USA

FIRST USED	04 300-SER
TITLE	DO NOT SCALE DRAWING
TITLE	LOAD CENTER/ATS ASM
SHEET 2	PART NO 145070