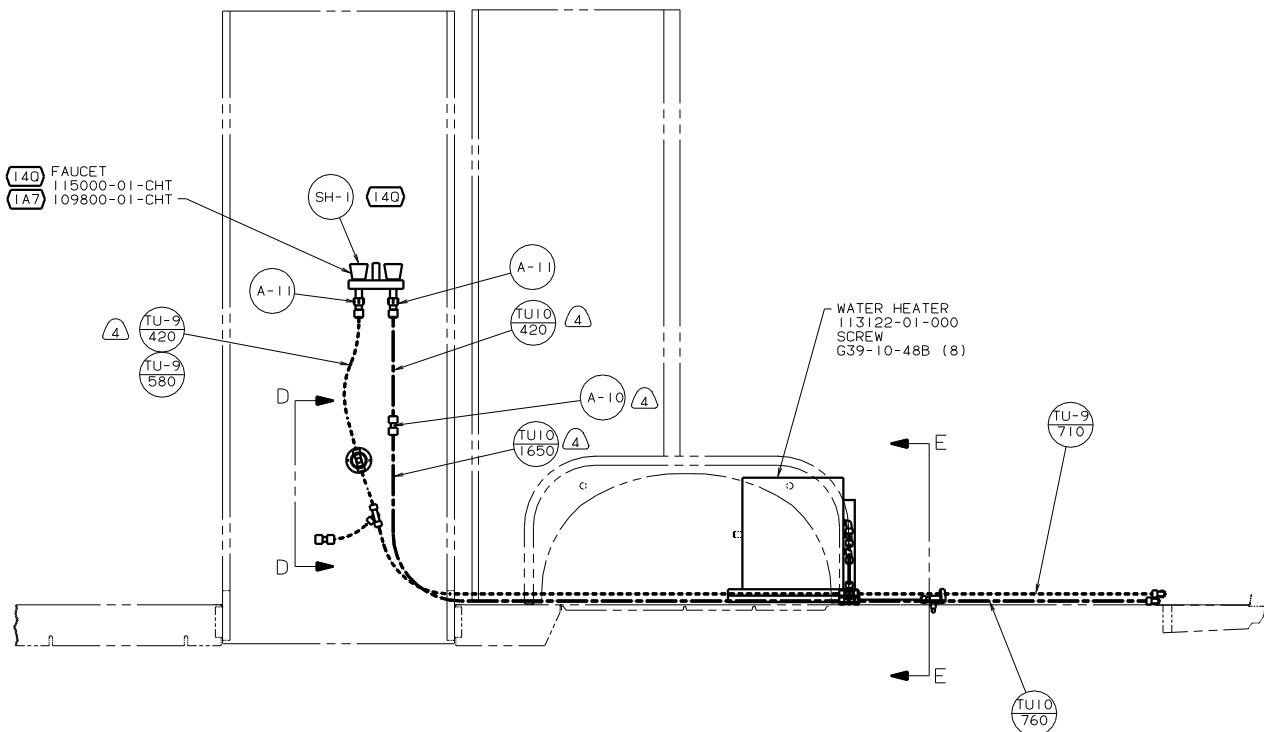


VIEW D-D



- (140) FAUCET 115000-01-CHT
- (1A7) 109800-01-CHT

WATER HEATER
113122-01-000
SCREW
639-10-48B (8)

- (64R) EXTERIOR WASH STATION
- (1A7) SHOWER PACKAGE-WITHOUT
- (140) SHOWER PACKAGE

- (4) NOT REQUIRED WITH EXTERIOR SHOWER.
3. ALL TUBING TO BE SECURED AT 1200 INTERVALS MAXIMUM WITH CLAMP 10495-01-000 OR CLIP 91951-01-000 AND SCREW G67-10-12B.
 2. TUBING TO BE INSTALLED WITH SUFFICIENT SLOPE TO PROVIDE DRAINAGE TO NEAREST VALVE.
 1. PLASTIC FITTINGS TO BE SEALED WITH SEALANT 84456-01-000.

6. TRIMARK "KEY ONE"
KEY: P/N 138288-01 THRU -10
WATER FILL: P/N 138637-53-000 THRU -009.
- (5) WRAP WATER LINES WITH INSULATION 105290-01-000 ANY PLACE THEY ARE IN CONTACT WITH MOTOR AID LINES. FASTEN WITH WIRE TIES.

FOR WATER CALLOUTS SEE DWG NO. 116230-01-000

LEGEND	
HOT	---
COLD	-----

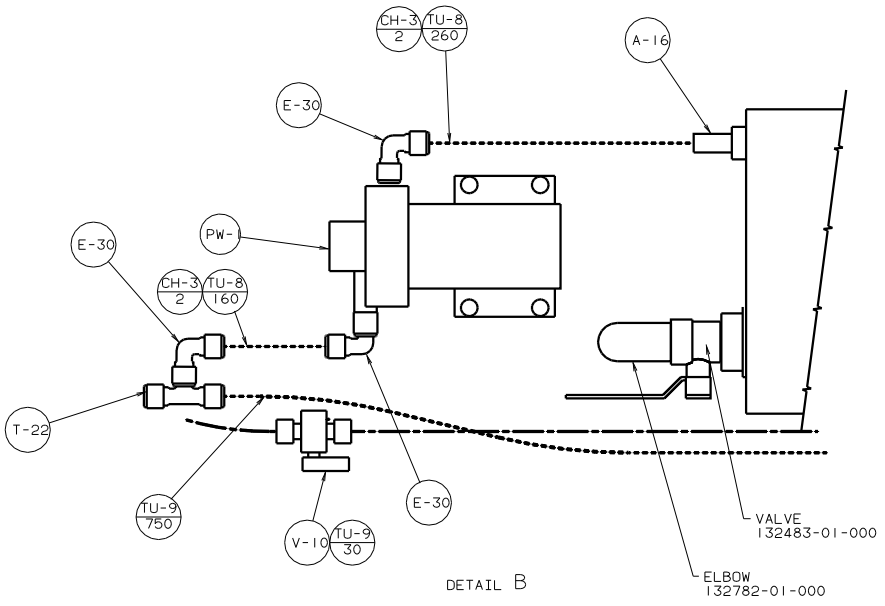
COPYRIGHT 2003 WINNEBAGO INDUSTRIES, INC. **WINNEBAGO** 03 2220D

DATE	UNSPECIFIED TOLERANCES ARE:	MATERIAL:
DATE	WHOLE DIM (XX) ± .7	
DATE	ONE-PLACE (X.X) ± .1	
DATE	TWO-PLACE (X.XX) ± .05	
DATE	ANGLE ± .5	
DATE	THIRD ANGLE PROJECTION	

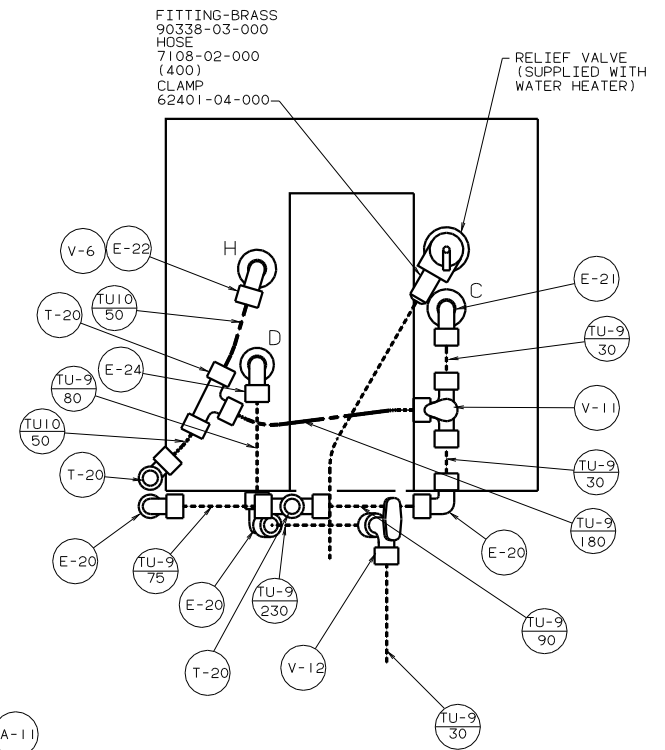
LAYOUT NO. 2220D TITLE: WATER SYSTEM INSTL

DIA # SCALE: NONE DO NOT SCALE DIMENSIONS SHEET NO. 141140

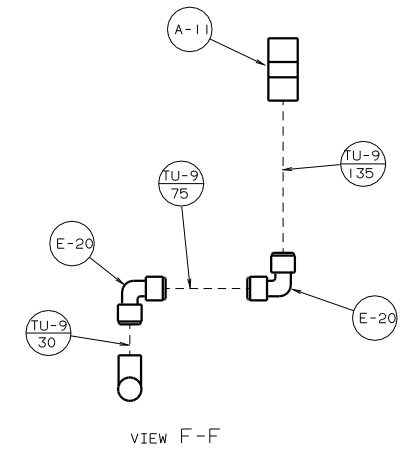
ALL DIMENSIONS ARE IN MILLIMETERS SHEET 1 OF 2



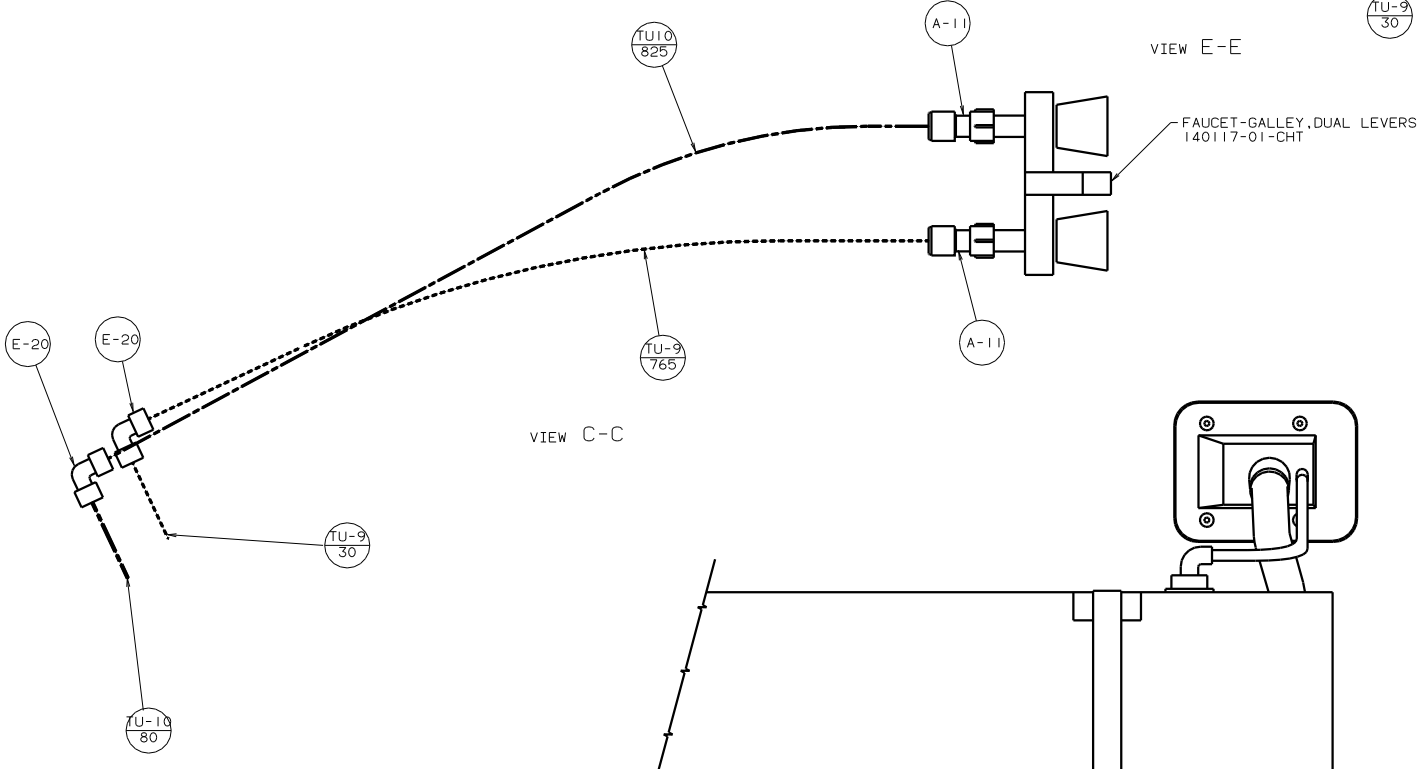
DETAIL B



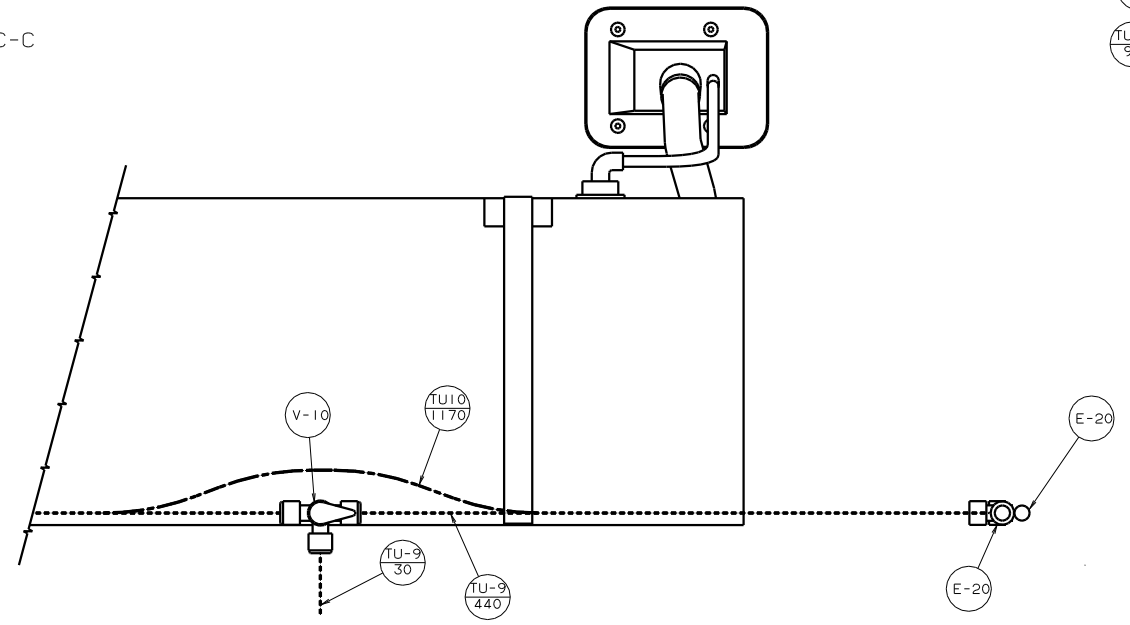
VIEW E-E



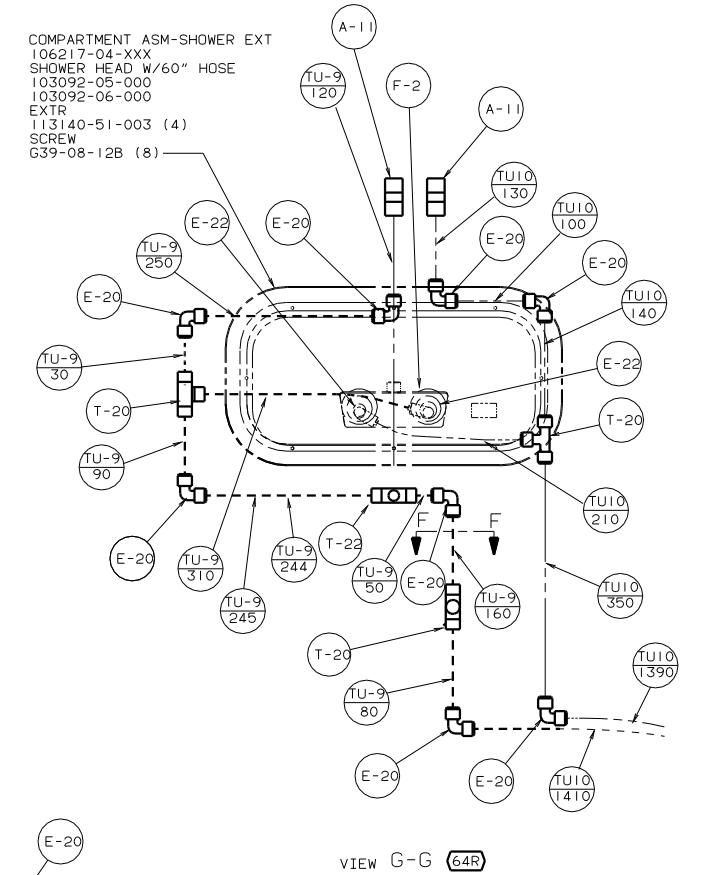
VIEW F-F



VIEW C-C



VIEW A-A



VIEW G-G (64R)

03 222QD

TITLE: WATER SYSTEM INSTL	
DO NOT SCALE DRAWING	SIZE DWG NO
SHEET 2 OF 2	141140